



US00D533482S

(12) **United States Design Patent** (10) **Patent No.:** **US D533,482 S**
Hanamura et al. (45) **Date of Patent:** **** Dec. 12, 2006**

(54) **REAR DERAILLEUR**

(75) Inventors: **Junichi Hanamura**, Osaka (JP);
Hirohisa Toyoshima, Osaka (JP)

(73) Assignee: **Shimano Inc.**, Osaka (JP)

(**) Term: **14 Years**

(21) Appl. No.: **29/244,936**

(22) Filed: **Dec. 16, 2005**

(51) **LOC (8) Cl.** **12-11**

(52) **U.S. Cl.** **D12/124**

(58) **Field of Classification Search** D12/111,
D12/124; 474/80-82, 78

See application file for complete search history.

(56) **References Cited**

U.S. PATENT DOCUMENTS

6,315,688 B1 11/2001 McLaughlin et al.

Primary Examiner—Freda Nunn

Assistant Examiner—Linda Brooks

(74) *Attorney, Agent, or Firm*—Global IP Counselors, LLP

(57) **CLAIM**

The ornamental design for a rear derailleur, as shown and described.

DESCRIPTION

FIG. 1 is an outside perspective view of a rear derailleur in accordance with our new design;

FIG. 2 is an outside elevational view of the rear derailleur in accordance with our new design;

FIG. 3 is an inside elevational view of the rear derailleur in accordance with our new design;

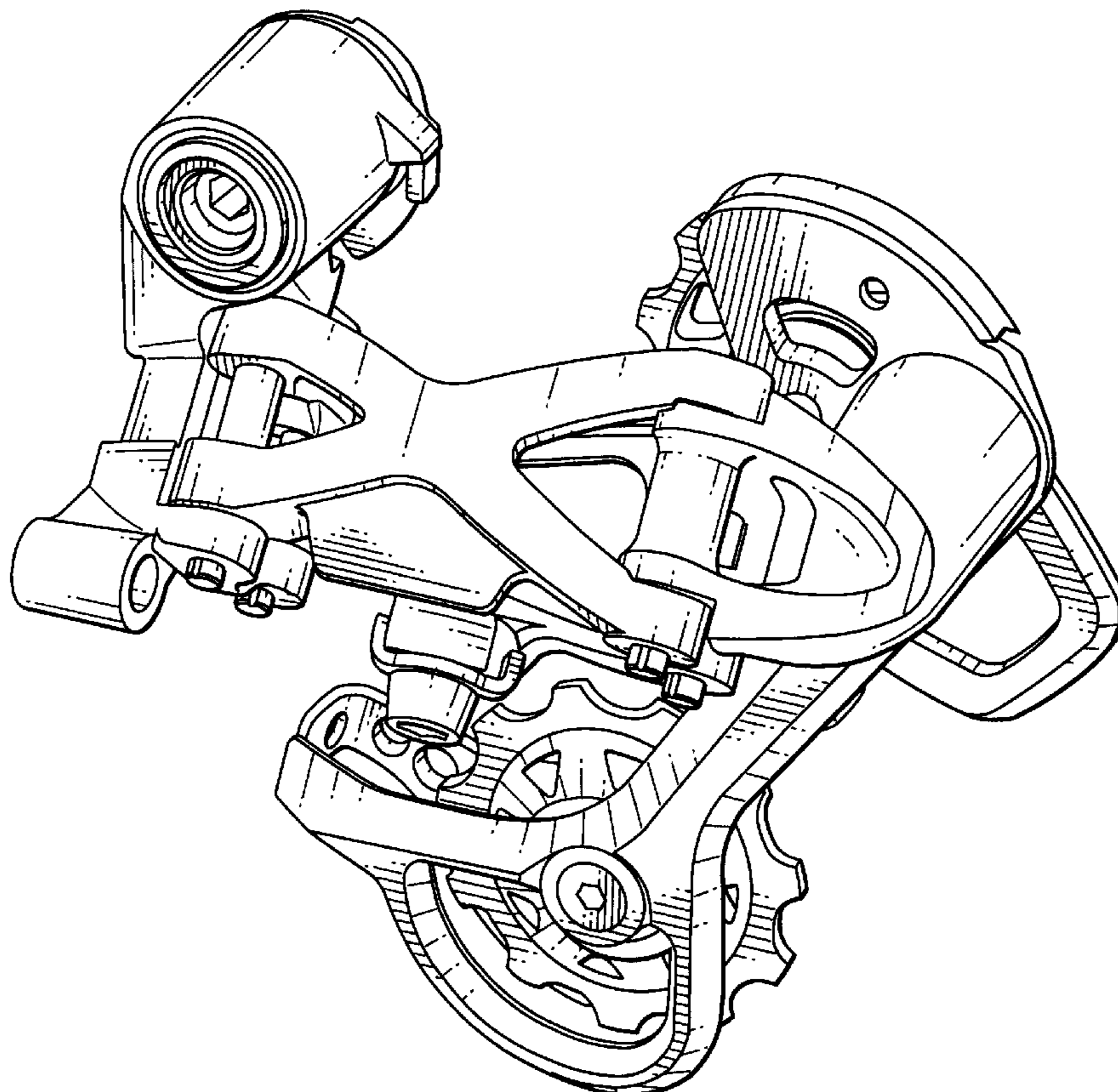
FIG. 4 is a rear end elevational view of the rear derailleur in accordance with our new design;

FIG. 5 is a front end elevational view of the rear derailleur in accordance with our new design;

FIG. 6 is a top plan view of the rear derailleur in accordance with our new design; and,

FIG. 7 is a bottom plan view of the rear derailleur in accordance with our new design.

1 Claim, 7 Drawing Sheets



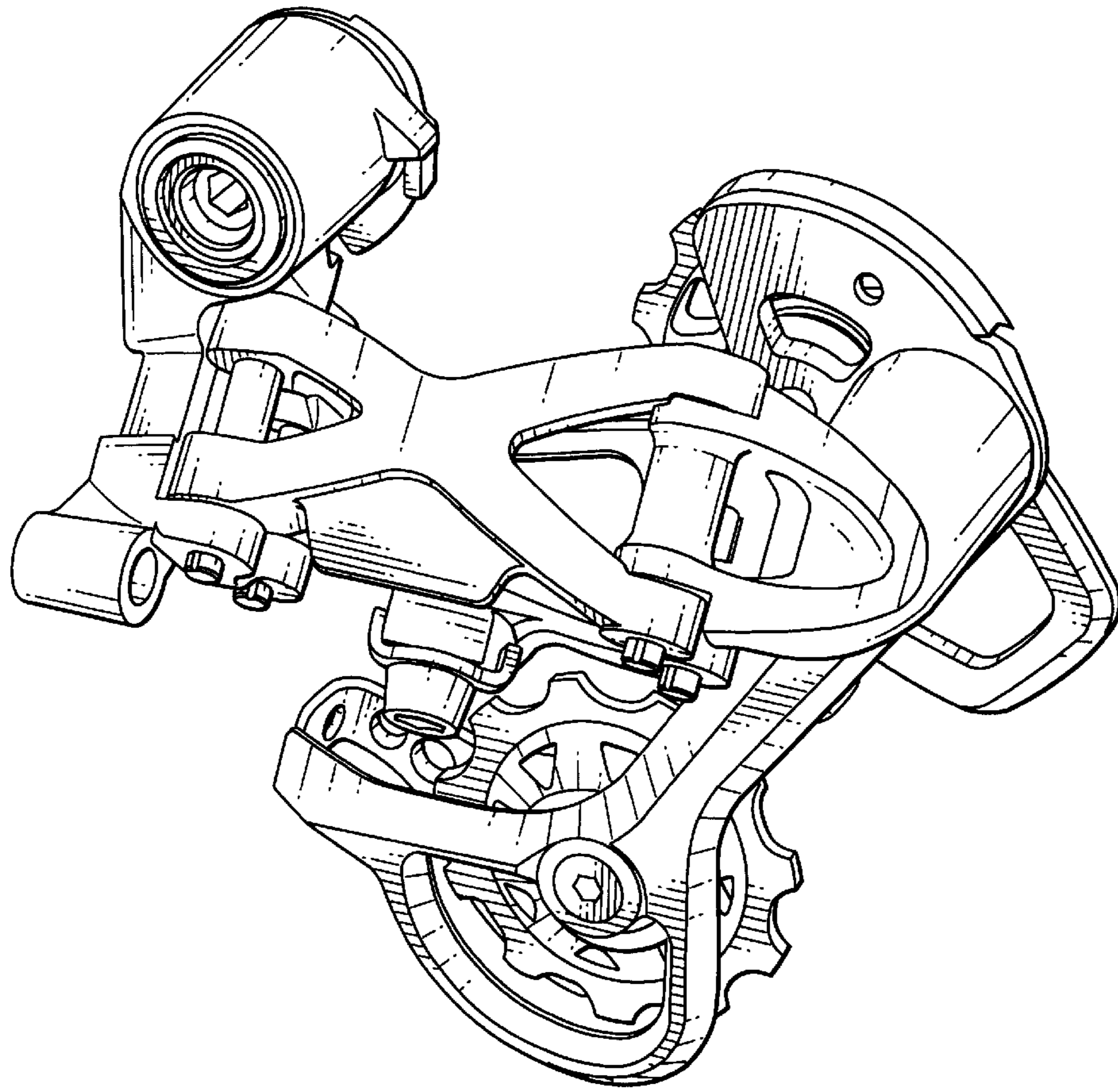


FIG. 1

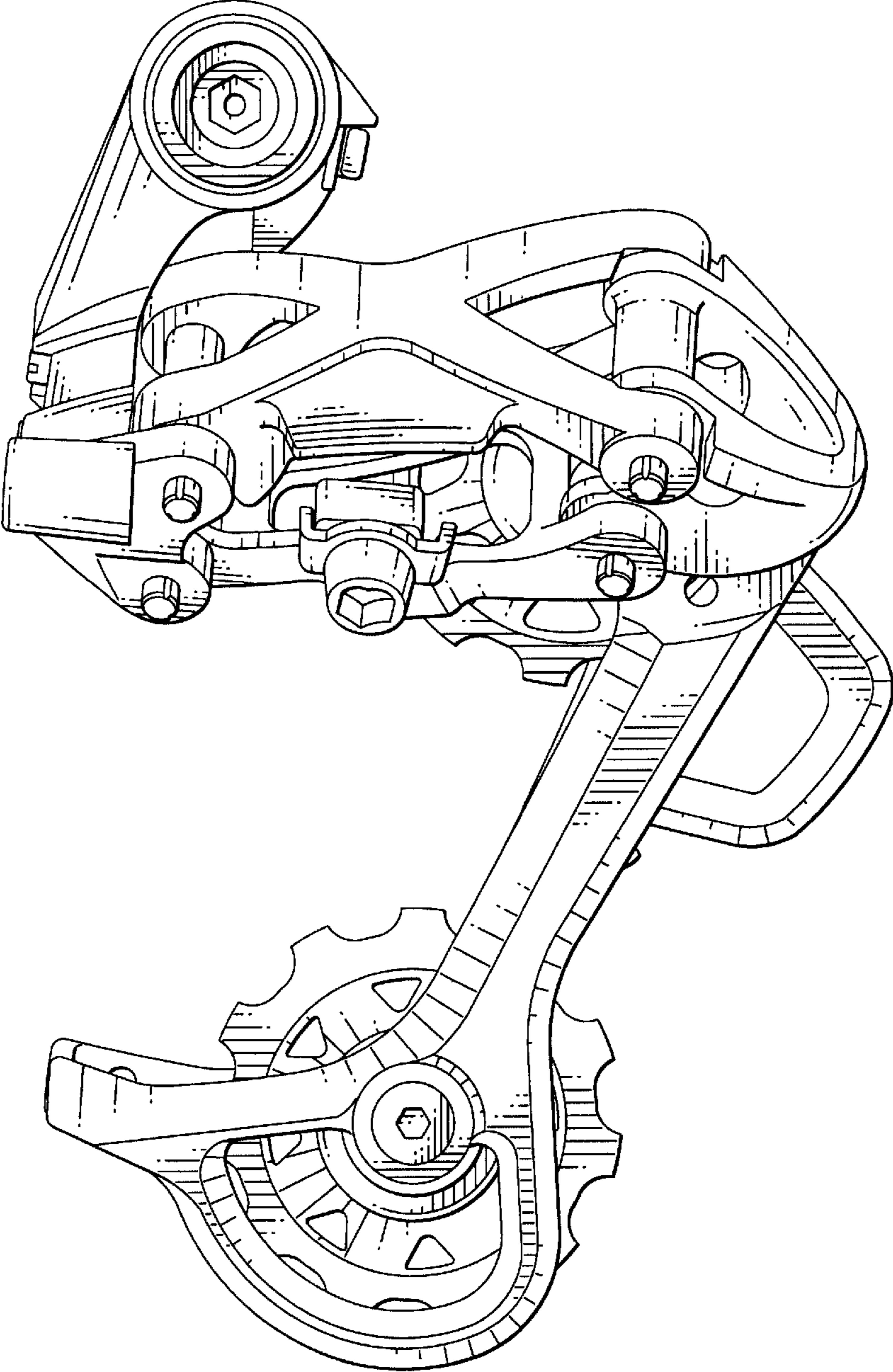


FIG. 2

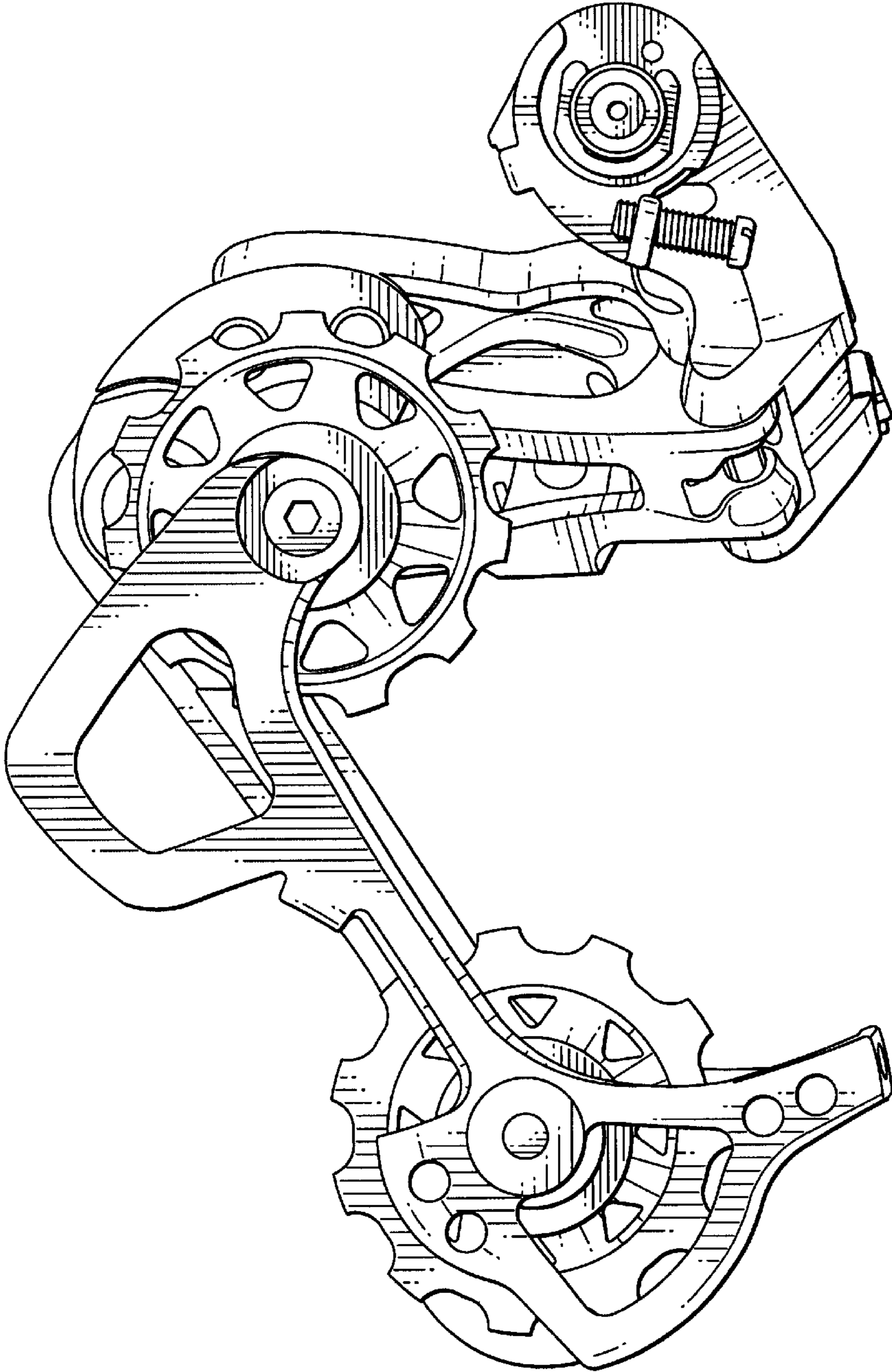


FIG. 3

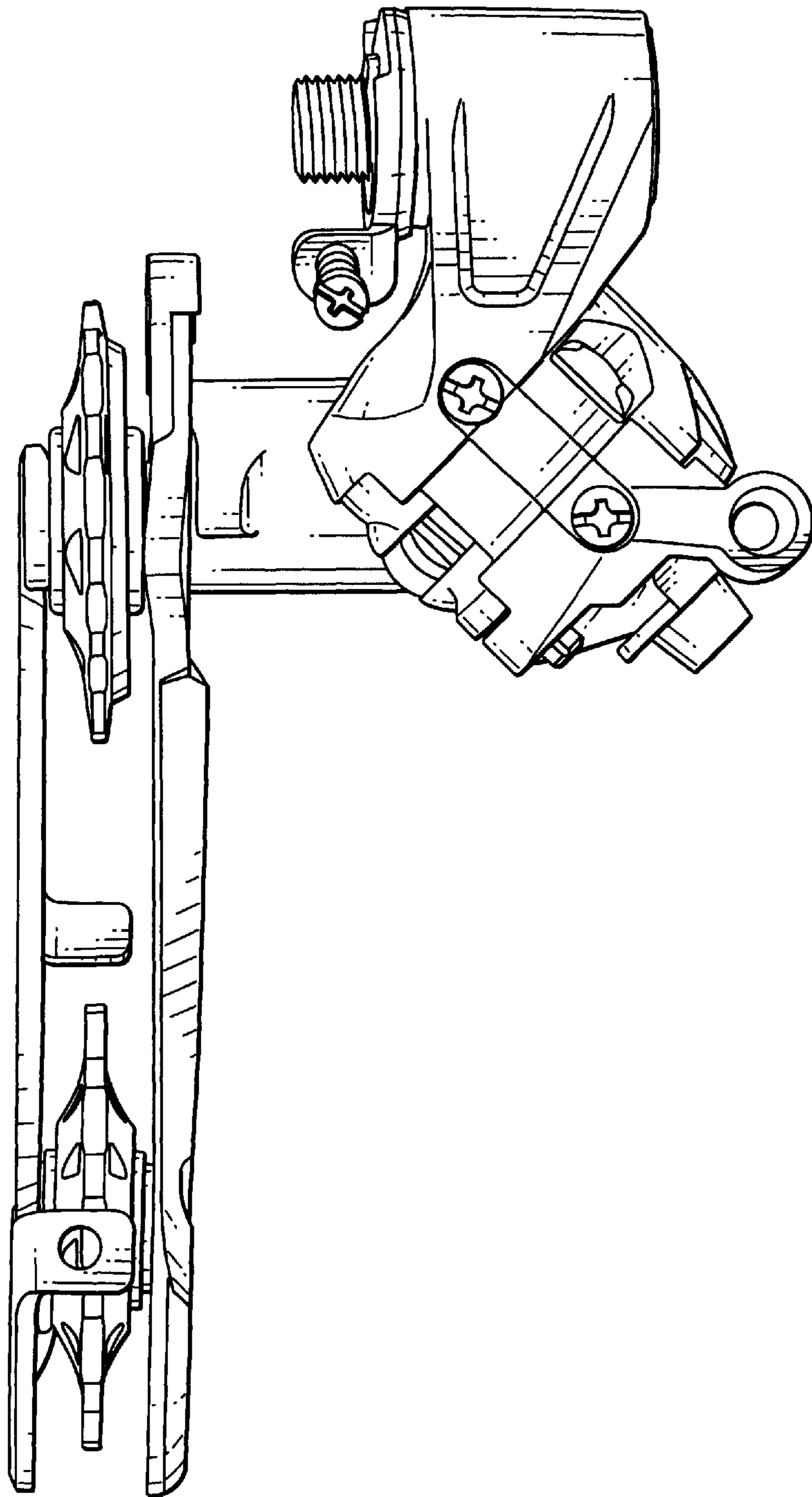


FIG. 4

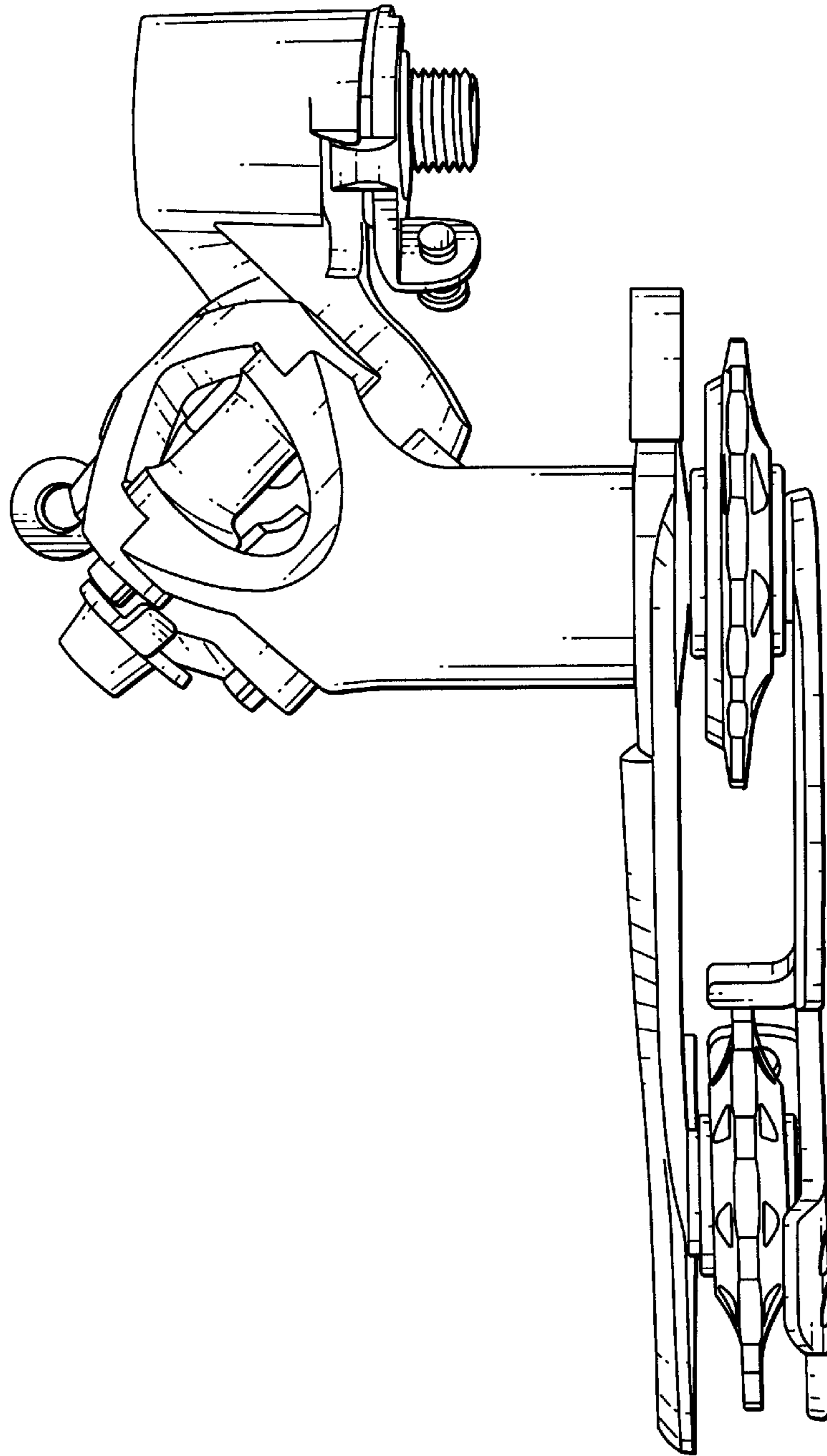


FIG. 5

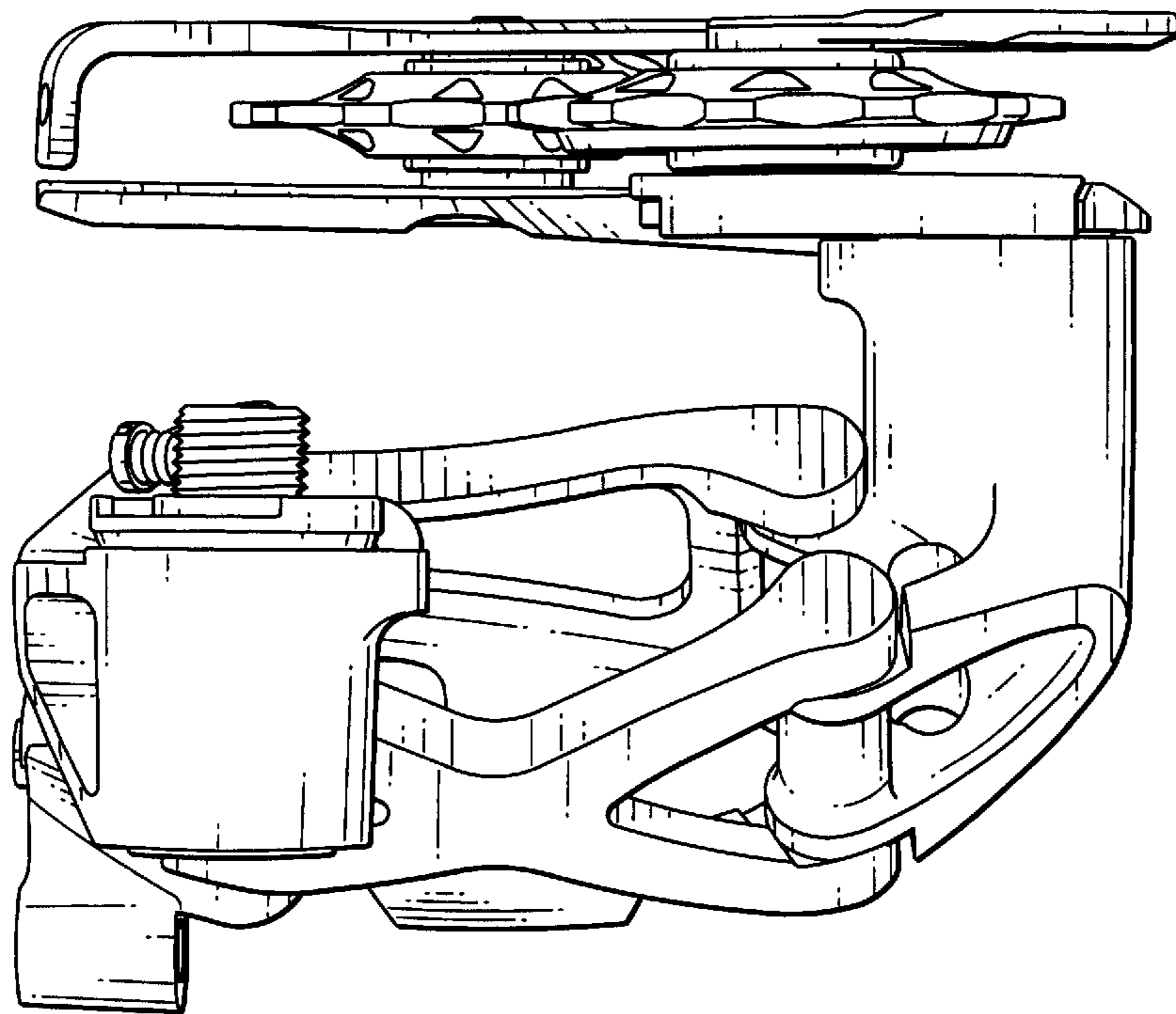


FIG. 6

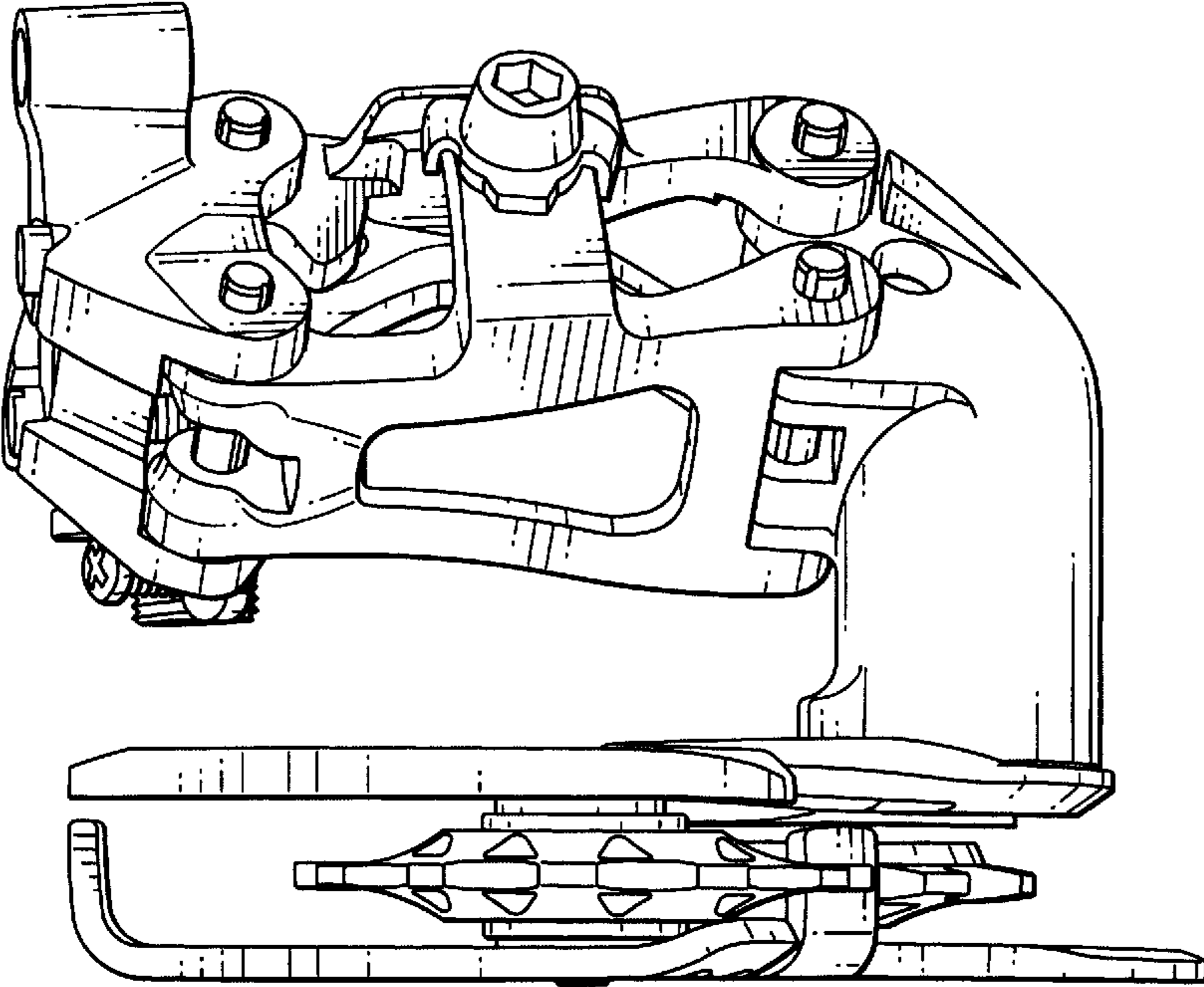


FIG. 7