



US00D533481S

(12) **United States Design Patent**
Goerges

(10) **Patent No.:** **US D533,481 S**

(45) **Date of Patent:** **** Dec. 12, 2006**

(54) **SIX GUN MOTORCYCLE FOOT LEG**

(76) **Inventor:** **Jonathan Goerges**, 28425 County Rd.
4, Pequot Lakes, MN (US) 56472

(**) **Term:** **14 Years**

(21) **Appl. No.:** **29/244,482**

(22) **Filed:** **Dec. 9, 2005**

(51) **LOC (8) Cl.** **12-11**

(52) **U.S. Cl.** **D12/114**

(58) **Field of Classification Search** D12/110,
D12/114, 125; 180/219; 74/564, 594.4; 280/288.4,
280/291; 296/75
See application file for complete search history.

(56) **References Cited**

U.S. PATENT DOCUMENTS

D319,037 S	8/1991	Hoepfner, III
D405,393 S	2/1999	Stahel
D455,374 S	4/2002	Lane

Primary Examiner—Alan P. Douglas

Assistant Examiner—Linda Brooks

(74) *Attorney, Agent, or Firm*—Patterson, Thuente, Skaar &
Christensen, P.A.

(57) **CLAIM**

I claim the ornamental design for a six gun motorcycle foot
peg, as shown and described.

DESCRIPTION

FIG. 1 is a perspective view of a six gun motorcycle foot
peg, according to an embodiment of the invention;

FIG. 2 is a perspective view of the six gun motorcycle foot
peg of FIG. 1;

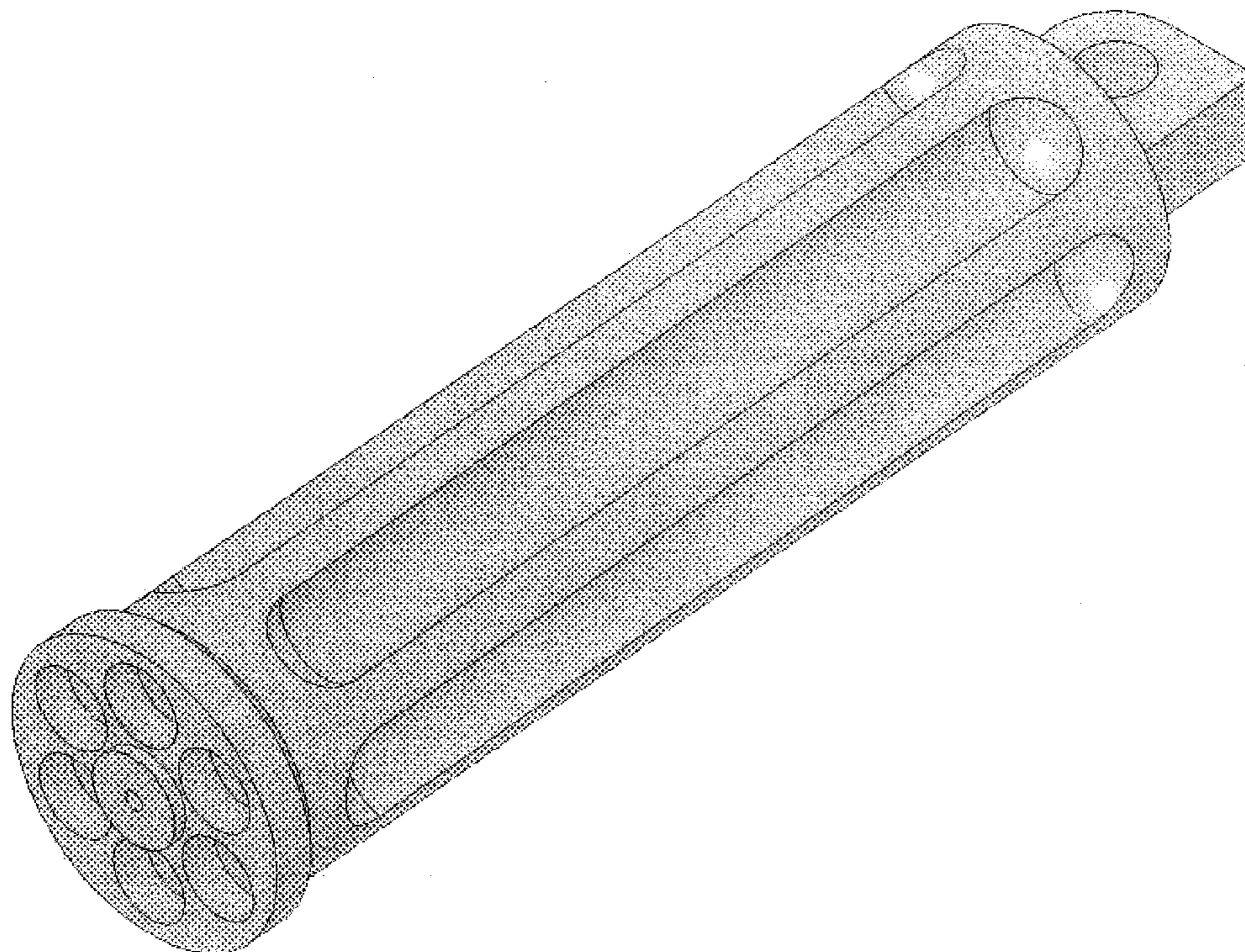
FIG. 3 is a side view of the six gun motorcycle foot peg of
FIG. 1;

FIG. 4 is a side view of the six gun motorcycle foot peg of
FIG. 1;

FIG. 5 is an end view of the six gun motorcycle foot peg of
FIG. 1; and,

FIG. 6 is an end view of the six gun motorcycle foot peg of
FIG. 1.

1 Claim, 6 Drawing Sheets



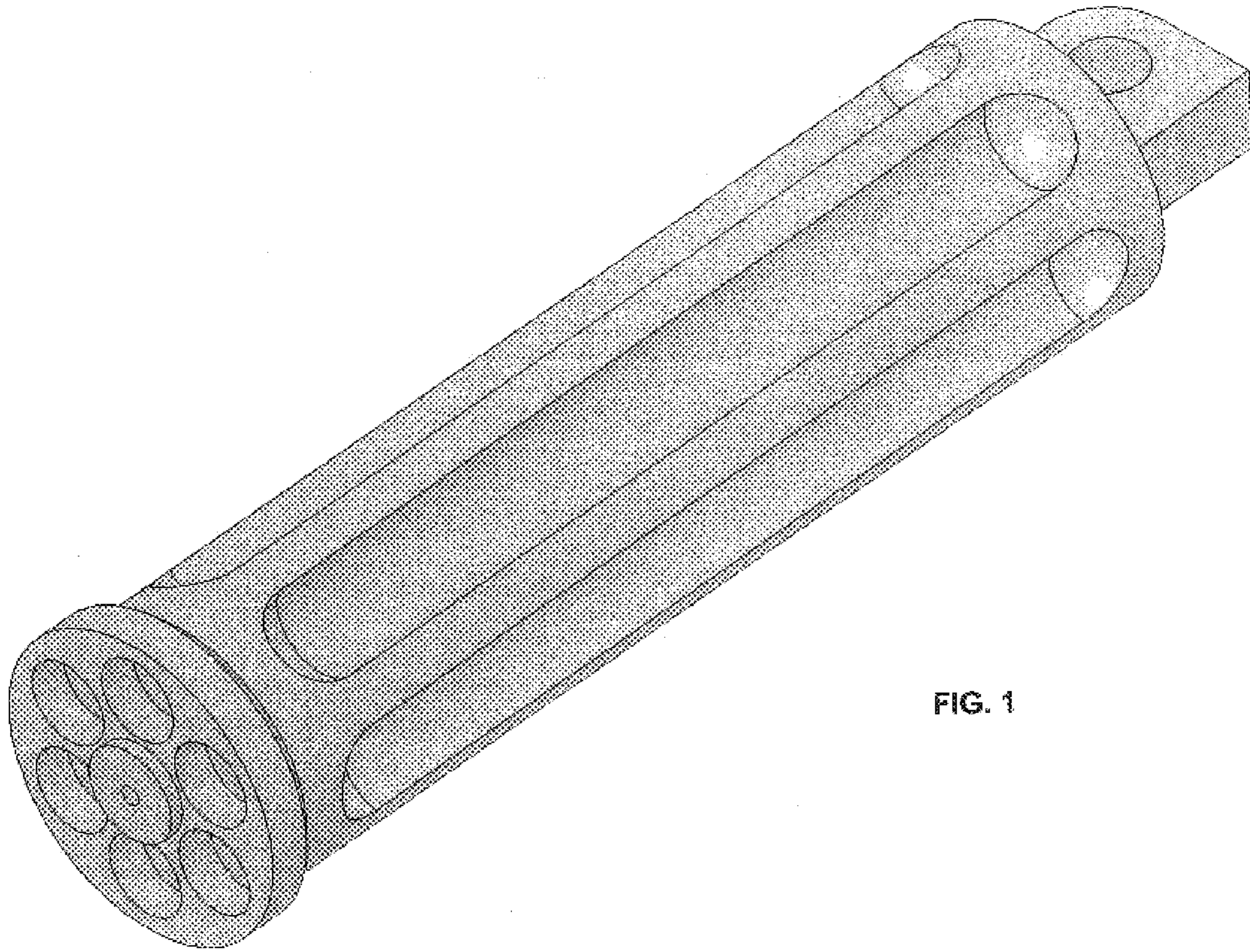


FIG. 1

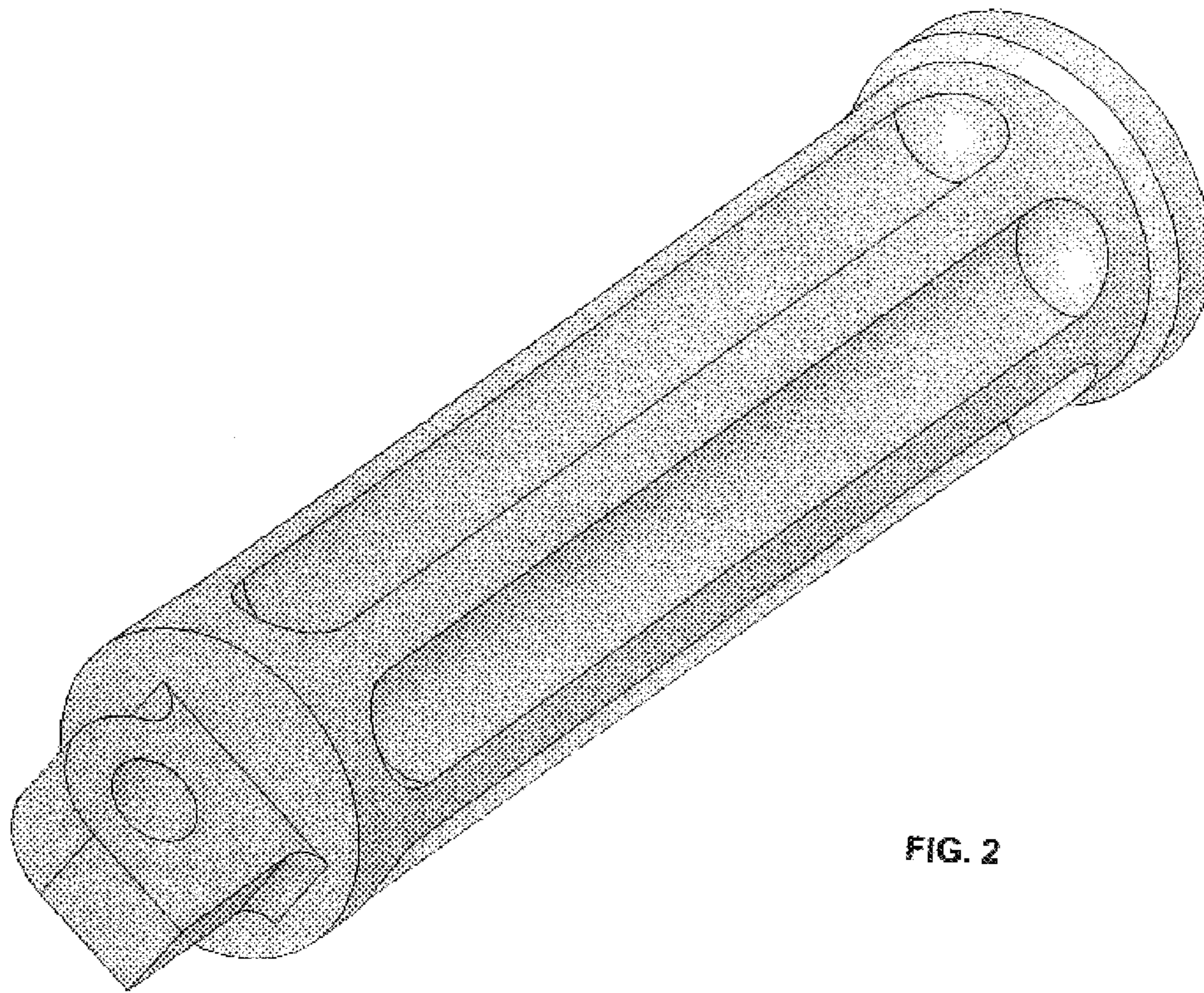


FIG. 2

FIG. 3

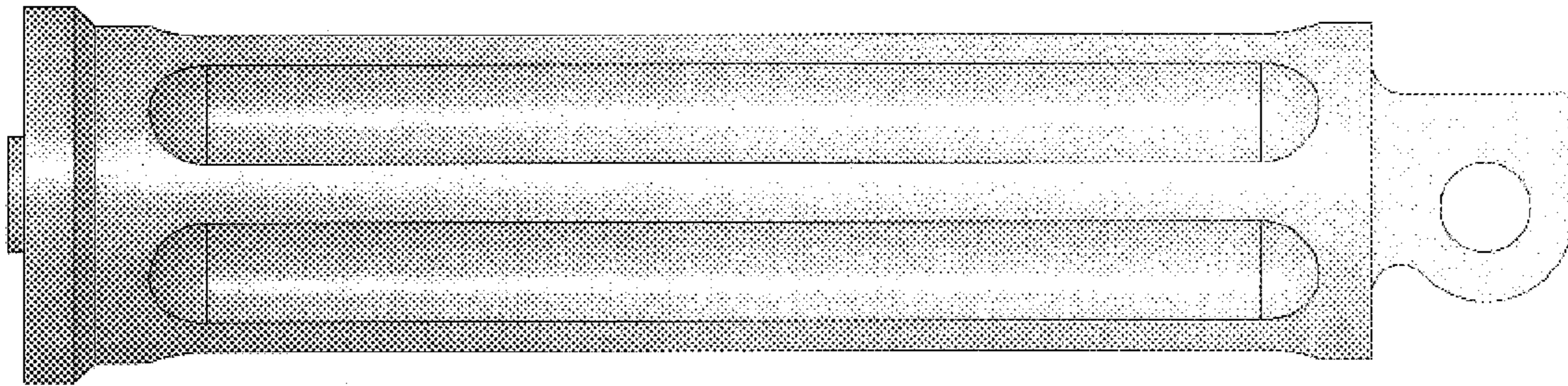


FIG. 4

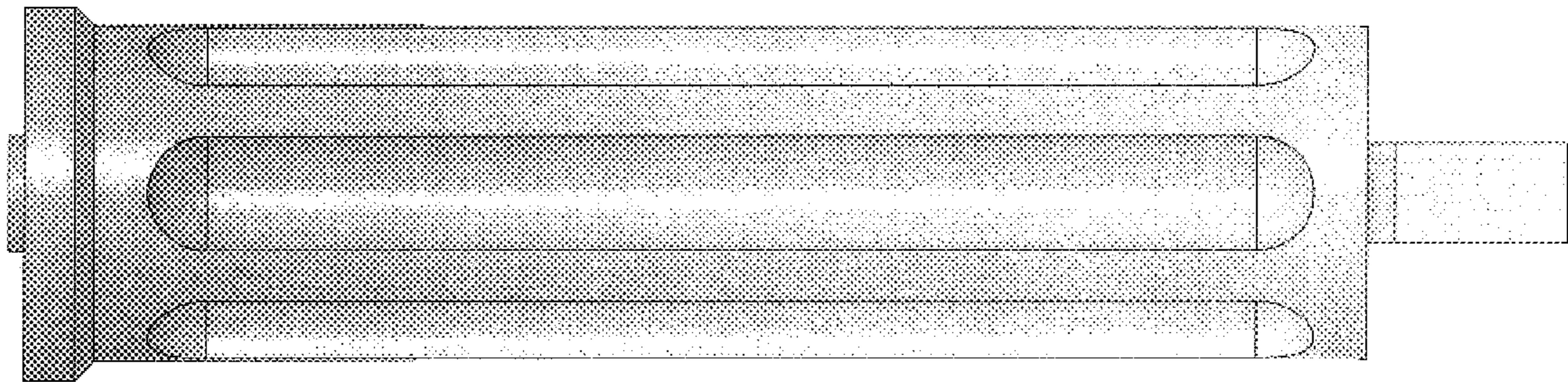


FIG. 5

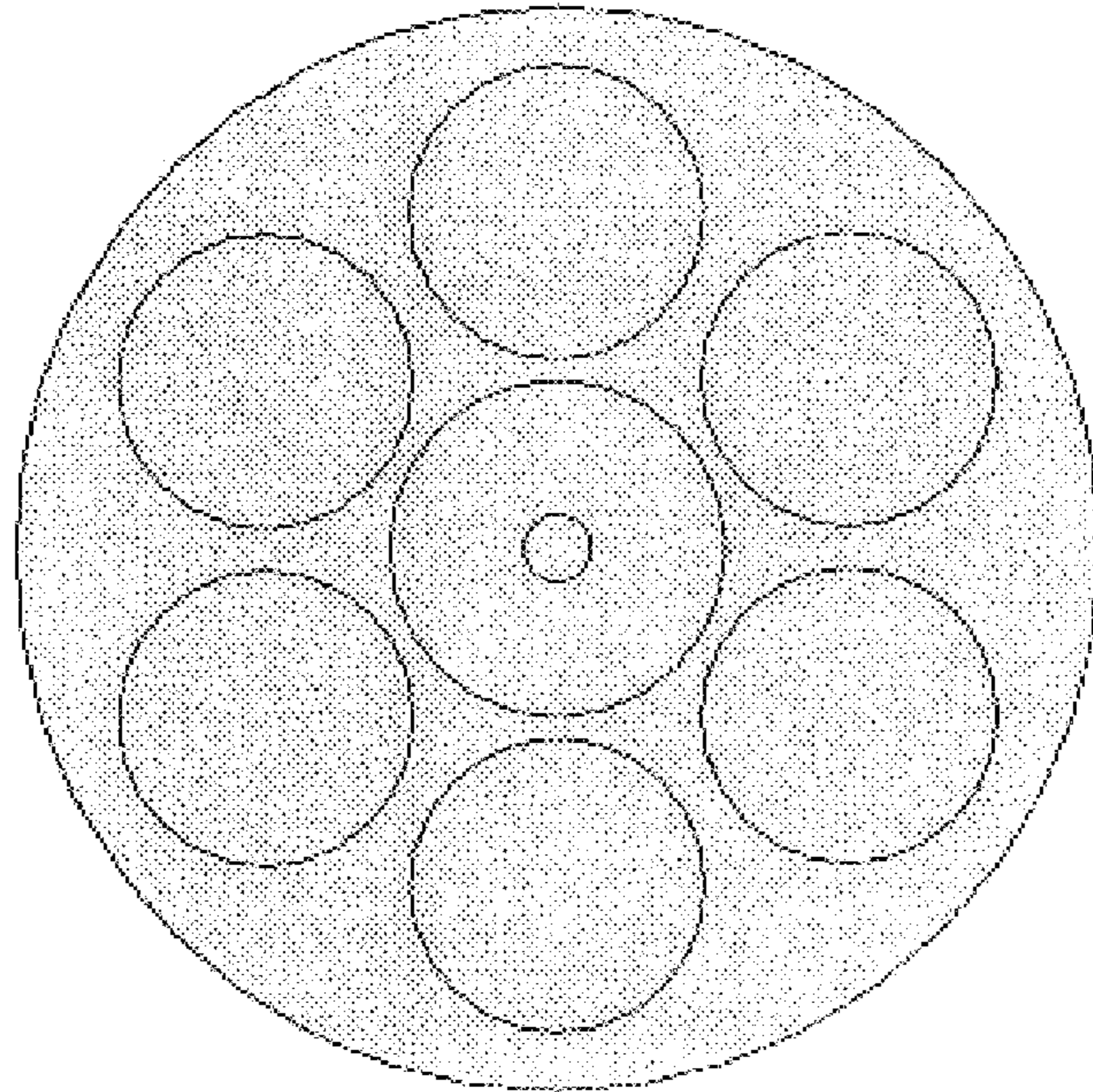
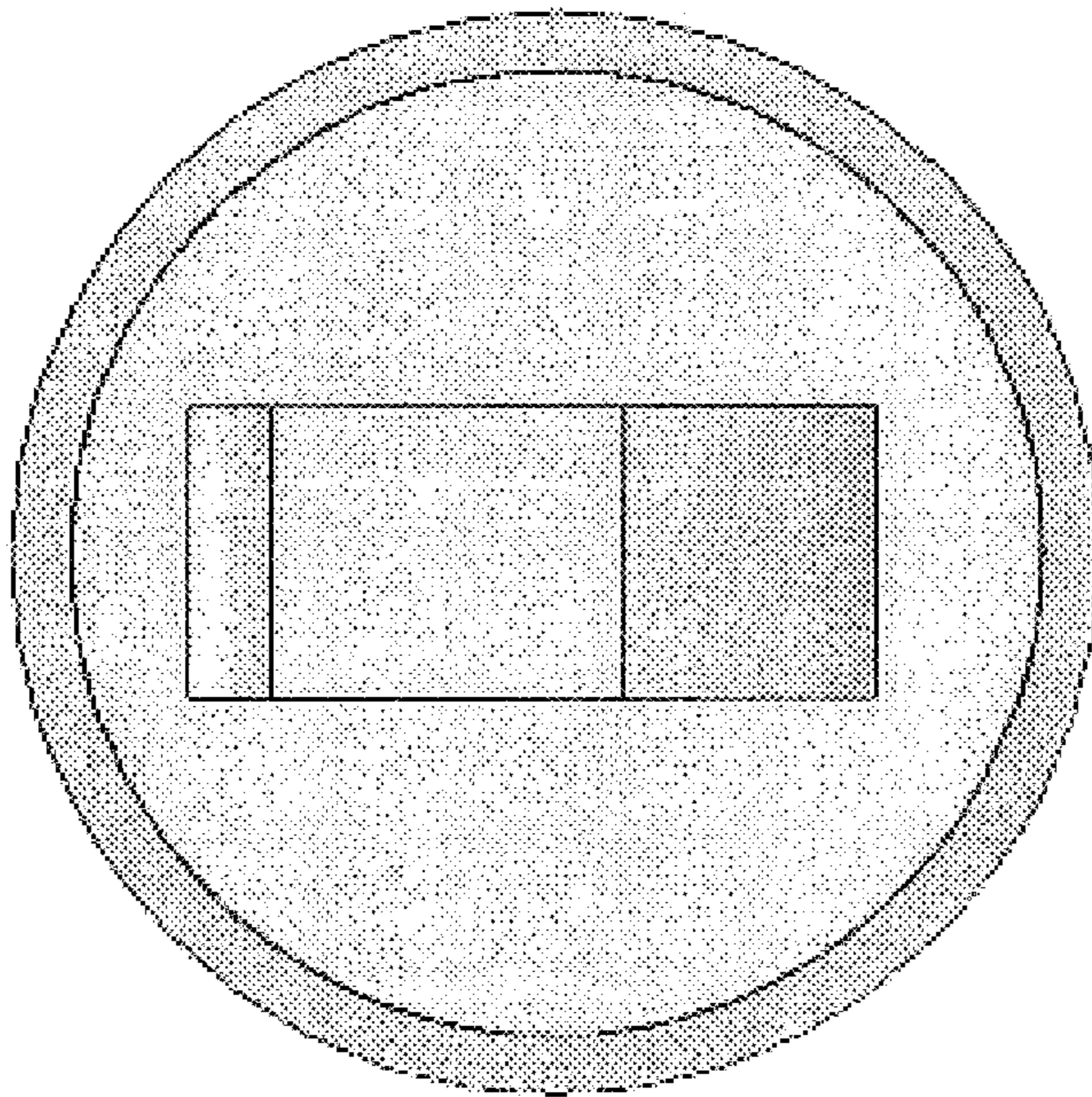


FIG 6.



UNITED STATES PATENT AND TRADEMARK OFFICE
CERTIFICATE OF CORRECTION

PATENT NO. : Des. 533,481 S
APPLICATION NO. : 29/244482
DATED : December 12, 2006
INVENTOR(S) : Jonathan Goerges

Page 1 of 1

It is certified that error appears in the above-identified patent and that said Letters Patent is hereby corrected as shown below:

Title page item (54), delete "Leg" and insert --Peg--

Signed and Sealed this

Sixth Day of March, 2007

A handwritten signature in black ink on a light gray dotted background. The signature reads "Jon W. Dudas" in a cursive style.

JON W. DUDAS

Director of the United States Patent and Trademark Office