



US00D533479S

(12) **United States Design Patent**  
**Dubnicka**

(10) **Patent No.:** **US D533,479 S**

(45) **Date of Patent:** **\*\* Dec. 12, 2006**

(54) **INTERCHANGEABLE PRECIOUS STONE MOUNTING ARRANGEMENT**

6,584,804 B1 7/2003 Freedman  
D497,120 S \* 10/2004 Chia et al. .... D11/93

(76) Inventor: **William Dubnicka**, 1884 12-3/4 Ave.,  
Cameron, WI (US) 54822

\* cited by examiner

(\*\*) Term: **14 Years**

*Primary Examiner*—Louis S. Zarfes

*Assistant Examiner*—Michael Pratt

(21) Appl. No.: **29/243,125**

(74) *Attorney, Agent, or Firm*—Andrus, Scales, Starke &  
Sawall, LLP

(22) Filed: **Nov. 18, 2005**

(57) **CLAIM**

The ornamental design of a interchangeable precious stone mounting arrangement, as shown and described.

**Related U.S. Application Data**

(63) Continuation-in-part of application No. 10/816,361, filed on Apr. 1, 2004, now abandoned.

**DESCRIPTION**

(51) **LOC (8) Cl.** ..... **11-01**

FIG. 1 is a perspective view of the precious stone mounting arrangement of the present invention;

(52) **U.S. Cl.** ..... **D11/91**

FIG. 2 is a left side view of the precious stone mounting arrangement, the right side view being a mirror image thereof;

(58) **Field of Classification Search** ..... D11/1,

D11/2, 6-12, 16, 26-28, 34-43, 47, 75, 79,

D11/89-93; 63/1.11-14.1, 20, 22, 23, 26-33

See application file for complete search history.

FIG. 3 is a top view of the precious stone mounting arrangement;

FIG. 4 is a back view of the precious stone mounting arrangement;

(56) **References Cited**

**U.S. PATENT DOCUMENTS**

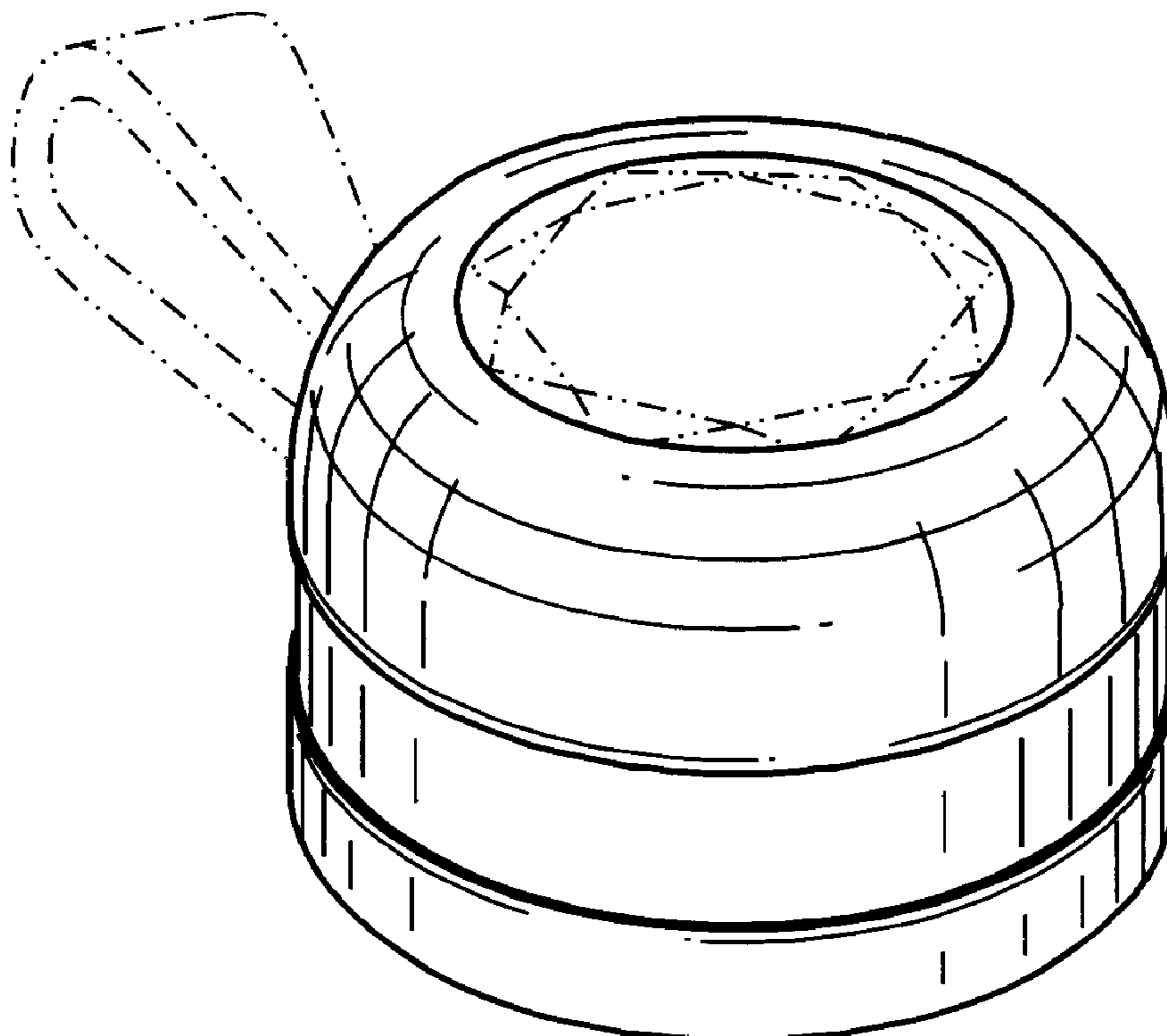
1,160,723 A	11/1915	Lander	
D83,717 S	* 3/1931	Botkin	..... D11/91
2,316,225 A	4/1943	De Hoffmann et al.	
3,605,437 A	* 9/1971	Litton	..... 63/3
4,220,018 A	9/1980	Chuard	
4,781,038 A	* 11/1988	Branca et al.	..... 63/4
5,992,177 A	11/1999	Beard	
D460,715 S	* 7/2002	Itzkowitz	..... D11/91

FIG. 5 is a front view of the precious stone mounting arrangement; and,

FIG. 6 is a back view of the precious stone mounting arrangement.

The broken lines shown in the Figures are meant for illustrative purposes only and form no part of the claimed invention.

**1 Claim, 2 Drawing Sheets**



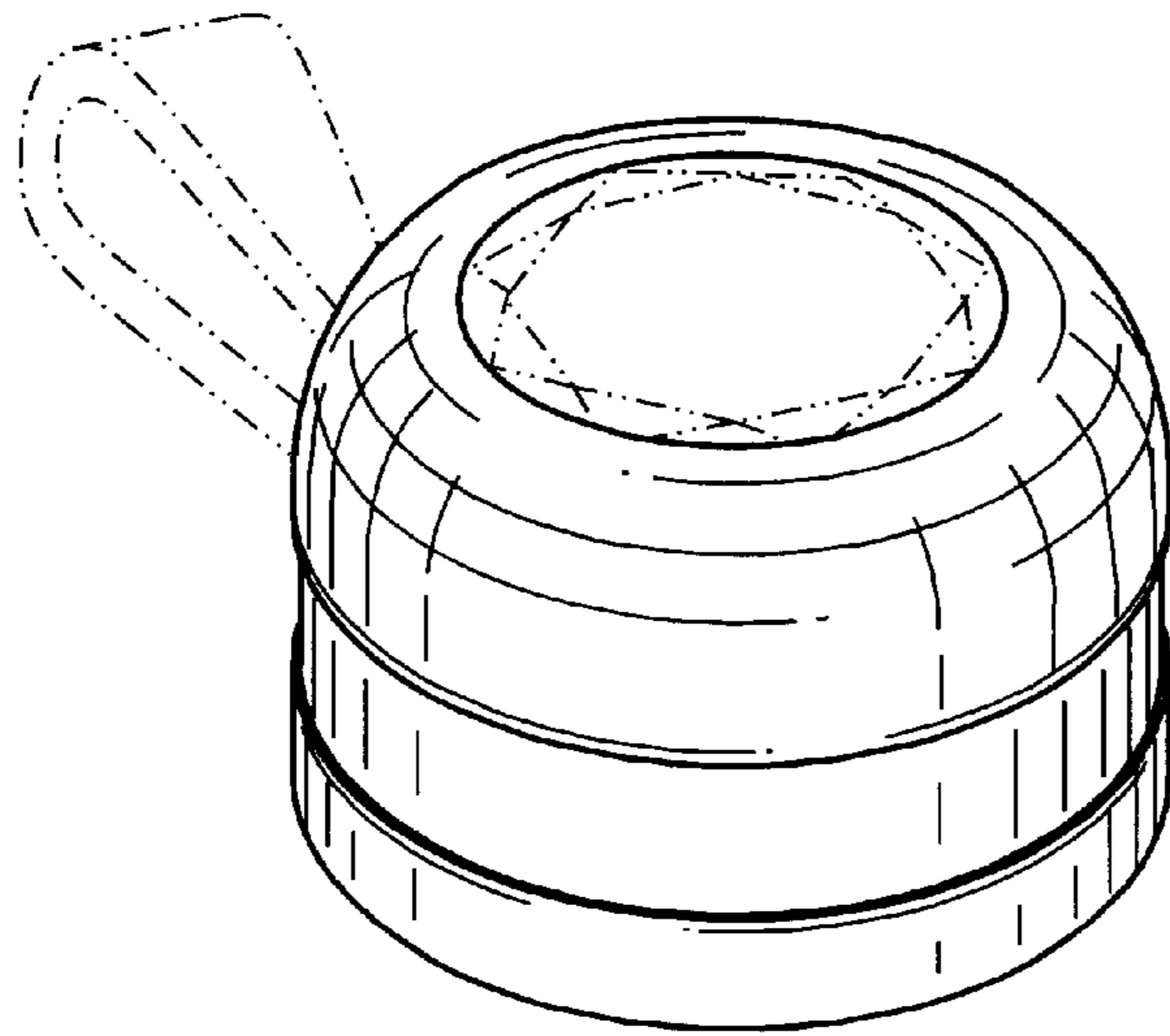


FIG. 1

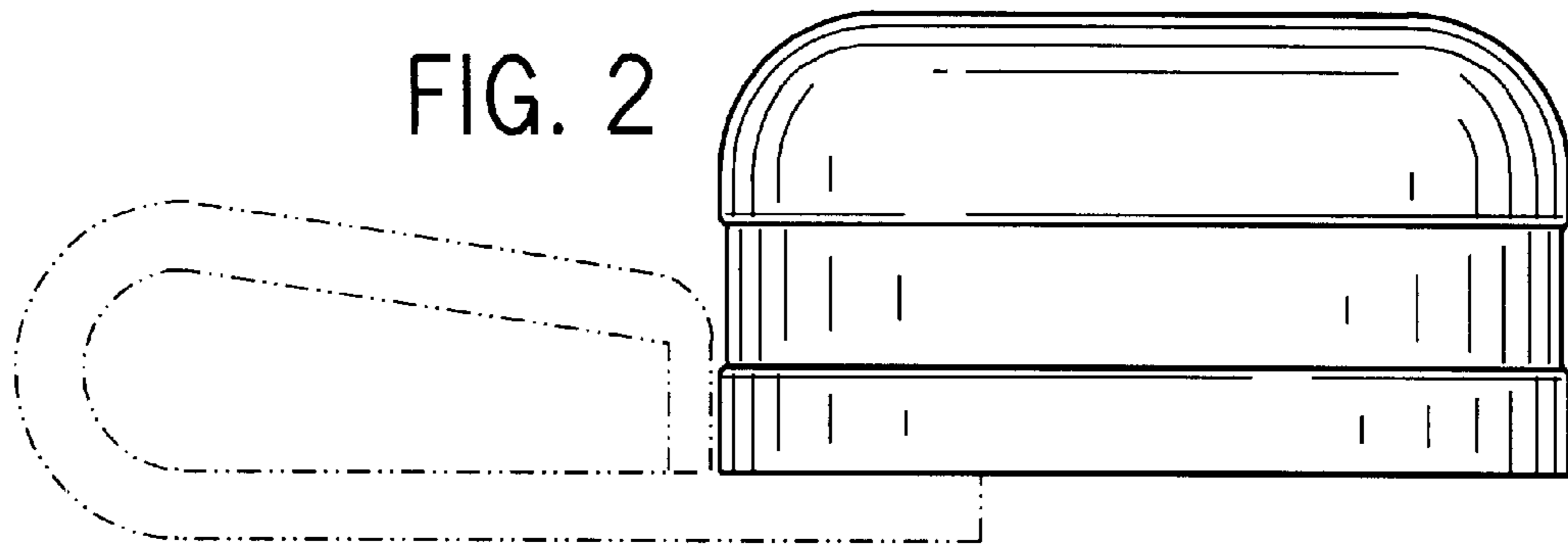


FIG. 2

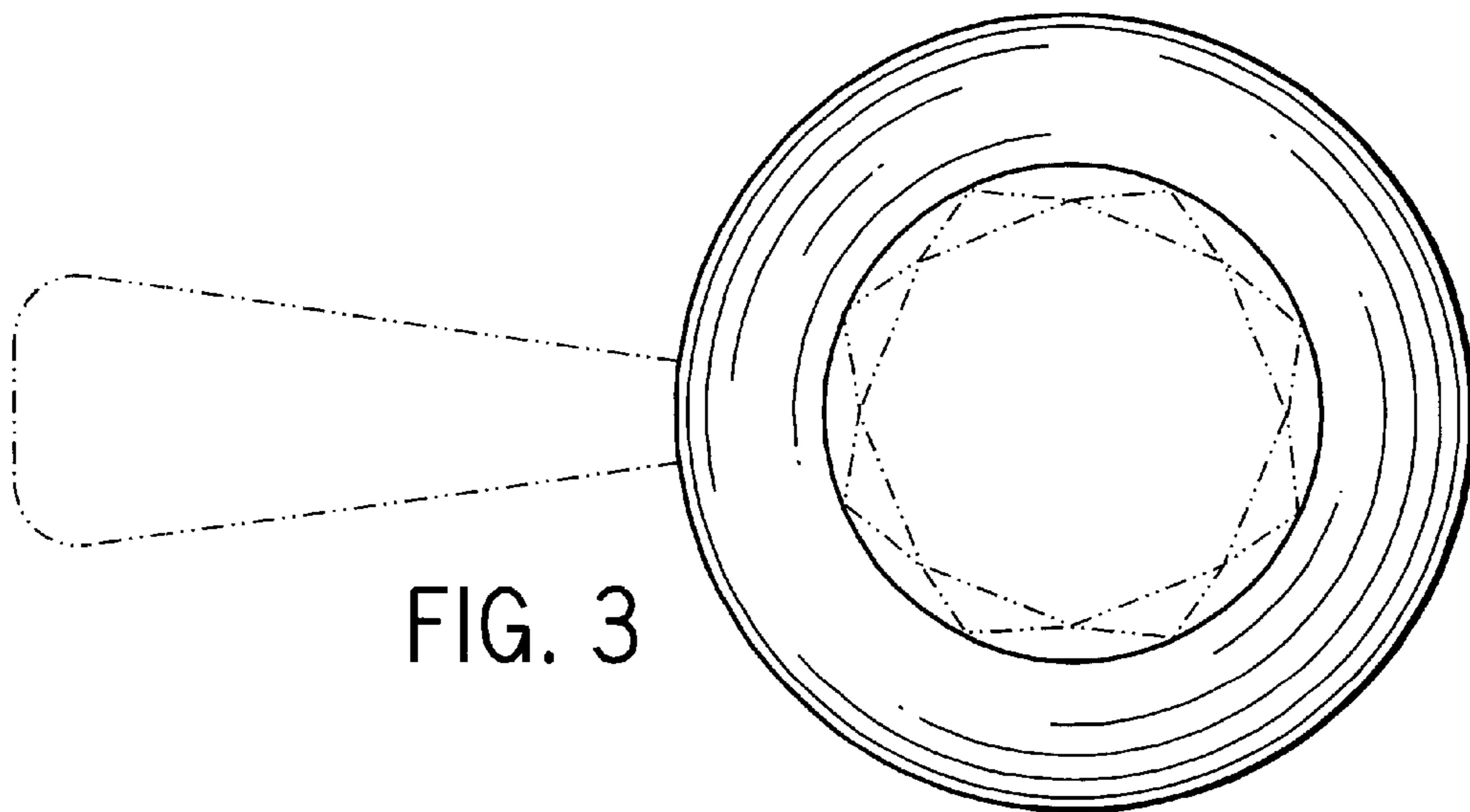


FIG. 3

FIG. 4

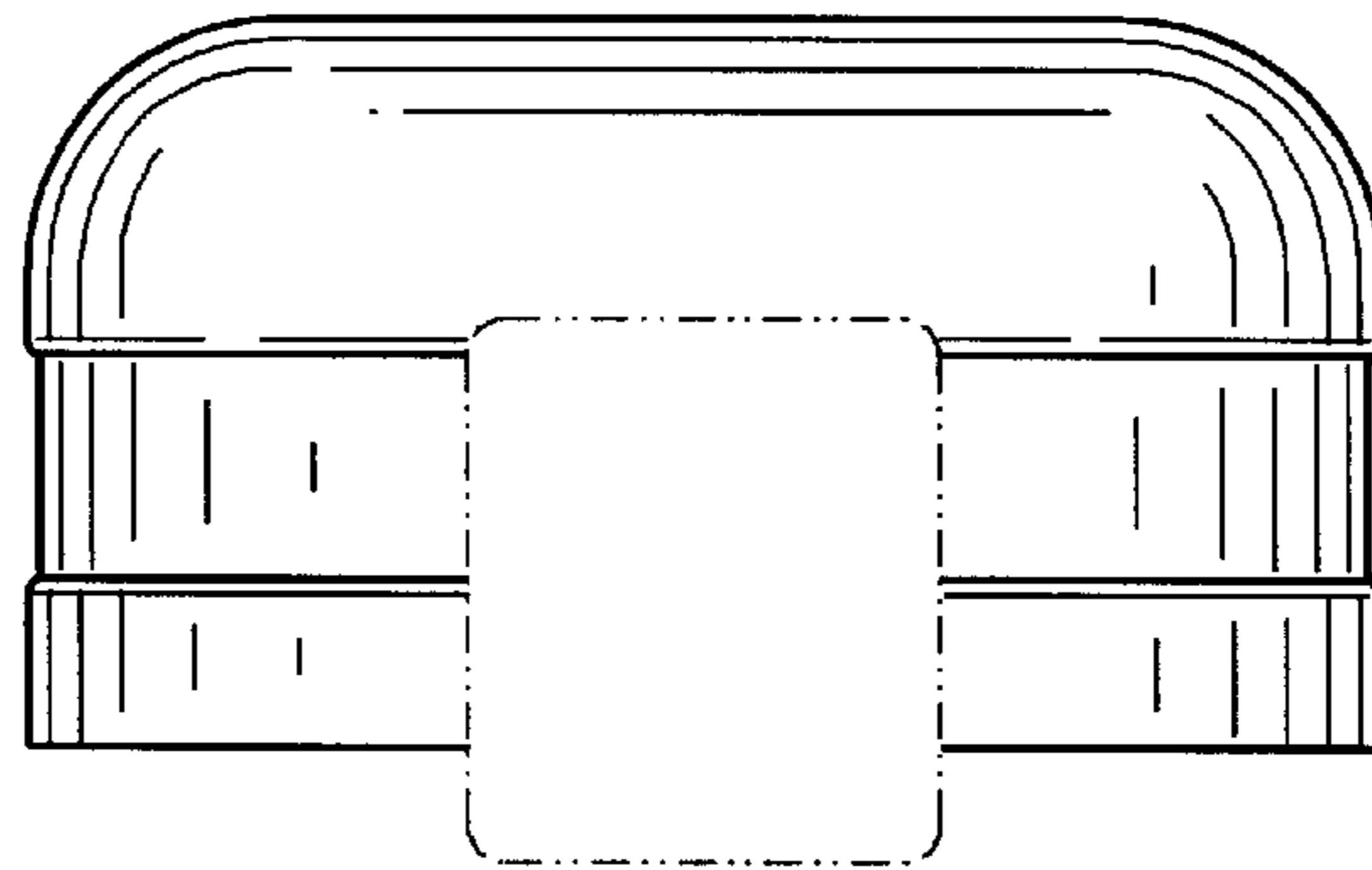


FIG. 5

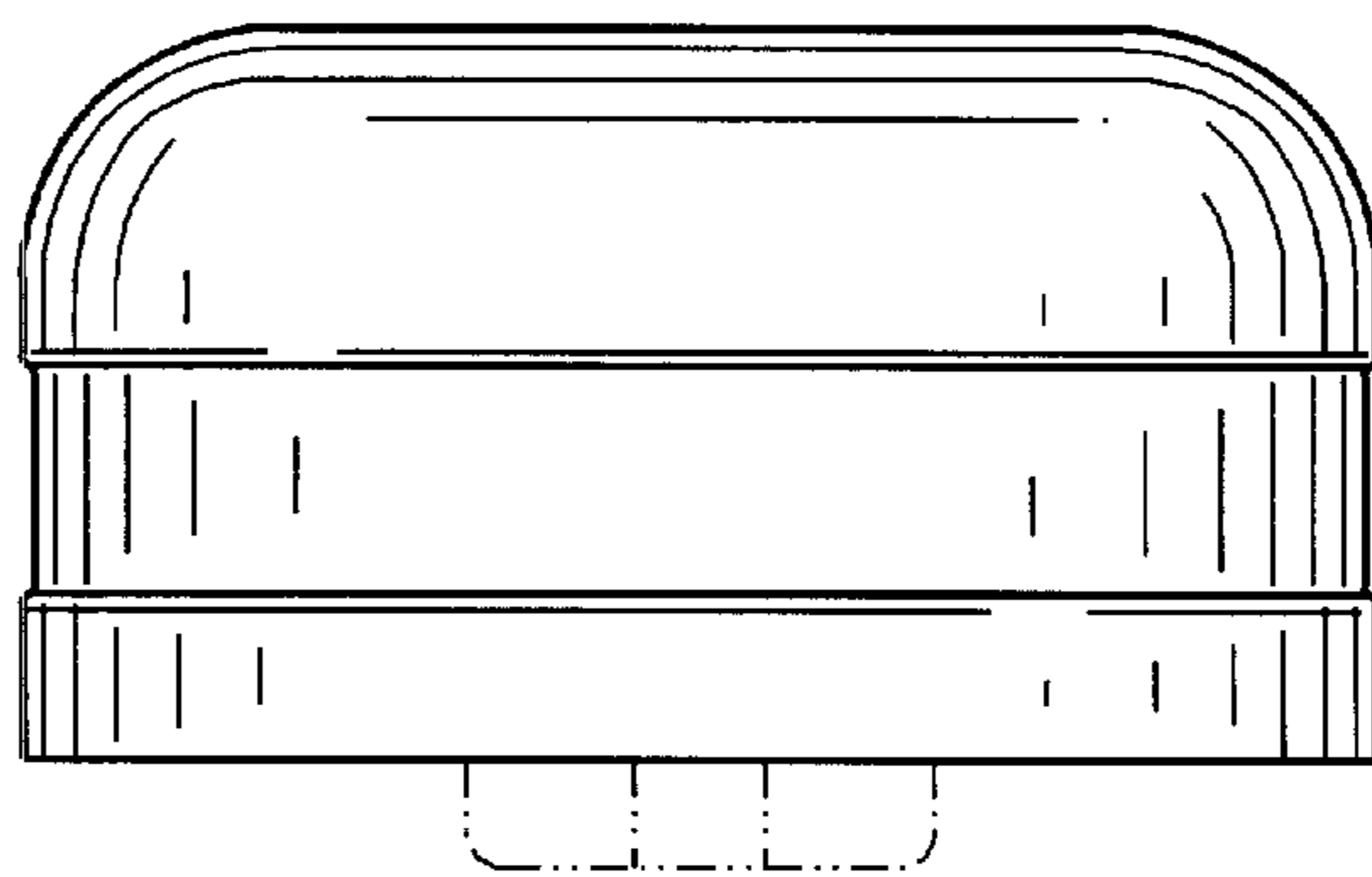


FIG. 6

