



US00D533473S

(12) **United States Design Patent**  
**Shimizu et al.**

(10) **Patent No.:** **US D533,473 S**

(45) **Date of Patent:** **\*\* Dec. 12, 2006**

(54) **SENSOR CHIP FOR BIOCHEMICAL ANALYZER**

(75) Inventors: **Hitoshi Shimizu**, Ashigarakami-gun (JP); **Katsuaki Muraishi**, Ashigarakami-gun (JP); **Tatsuo Fujikura**, Ashigarakami-gun (JP); **Hirohiko Tsuzuki**, Ashigarakami-gun (JP); **Kouji Kuruma**, Ashigarakami-gun (JP); **Masayasu Konishi**, Odawara (JP); **Yoshiyuki Kunuki**, Ashigarakami-Gun (JP)

(73) Assignee: **Fuji Photo Film Co., Ltd.**, Kanagawa (JP)

(\*\*) Term: **14 Years**

(21) Appl. No.: **29/237,424**

(22) Filed: **Sep. 1, 2005**

(30) **Foreign Application Priority Data**

Mar. 1, 2005 (JP) ..... 2005-005938

(51) **LOC (8) Cl.** ..... **10-04**

(52) **U.S. Cl.** ..... **D10/81**

(58) **Field of Classification Search** ..... D10/81; 204/403.01, 412; 205/775; 422/56, 101; 435/278.2; 436/73, 80, 164, 169, 172, 178; 600/365  
See application file for complete search history.

(56) **References Cited**

**U.S. PATENT DOCUMENTS**

D379,662 S \* 6/1997 Pearson et al. .... D10/81

D379,663 S \* 6/1997 Pearson et al. .... D10/81  
6,751,491 B1 \* 6/2004 Lew et al. .... 600/345  
6,787,368 B1 \* 9/2004 Wong et al. .... 435/287.2  
6,866,758 B1 \* 3/2005 Bhullar et al. .... 204/403.02  
6,998,246 B1 \* 2/2006 Schaffler et al. .... 435/181  
2003/0046811 A1 \* 3/2003 Chang et al. .... 600/365  
2004/0124098 A1 \* 7/2004 Huang et al. .... 205/775  
2006/0070878 A1 \* 4/2006 Wu et al. .... 204/403.01

\* cited by examiner

*Primary Examiner*—Antoine D. Davis

(74) *Attorney, Agent, or Firm*—Young & Thompson

(57) **CLAIM**

The ornamental design for a sensor chip for biochemical analyzer, as shown.

**DESCRIPTION**

FIG. 1 is a perspective view of a sensor chip for biochemical analyzer, showing our new design;

FIG. 2 is a front elevational view thereof;

FIG. 3 is a rear elevational view thereof;

FIG. 4 is a top plan view thereof;

FIG. 5 is a bottom plan view thereof;

FIG. 6 is an end elevational view thereof from the left of FIG. 2; and,

FIG. 7 is an end elevational view thereof from the right of FIG. 2.

**1 Claim, 4 Drawing Sheets**

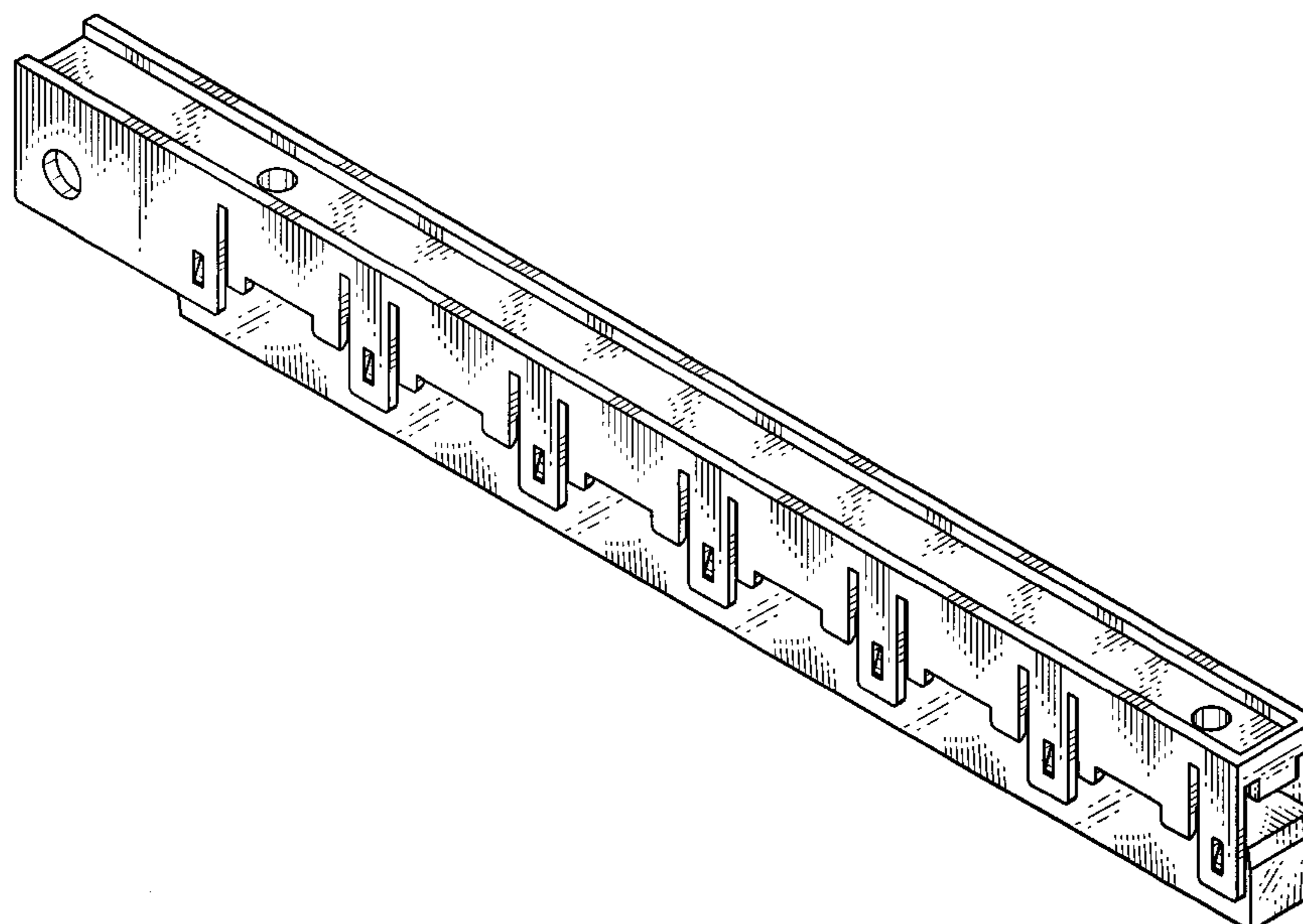


FIG.1

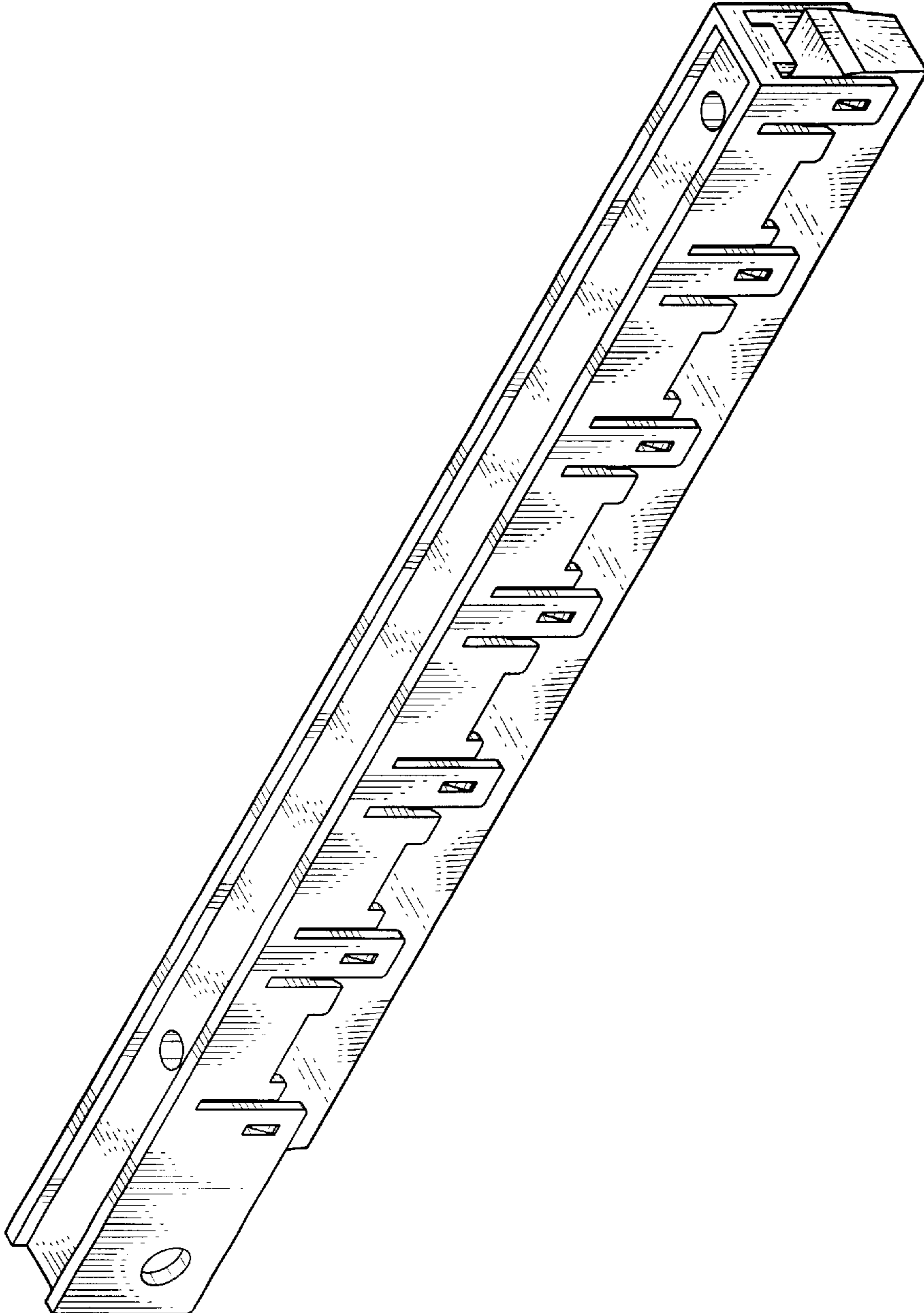


FIG.2

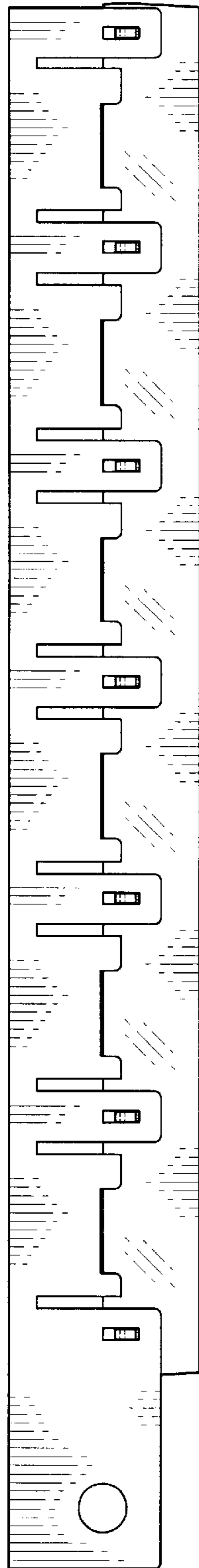


FIG.3

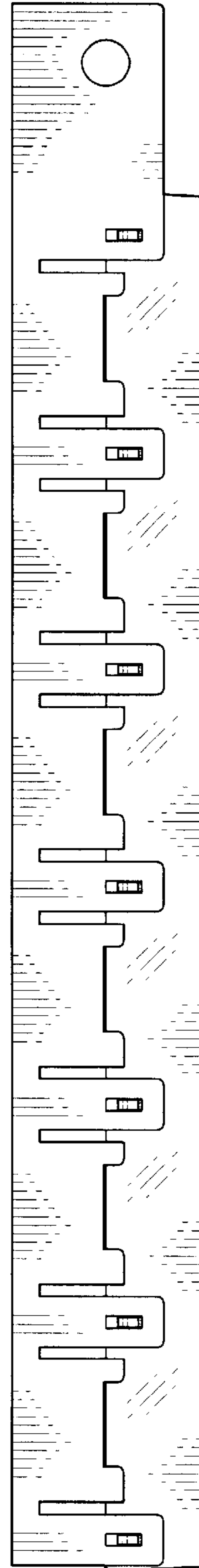


FIG.4

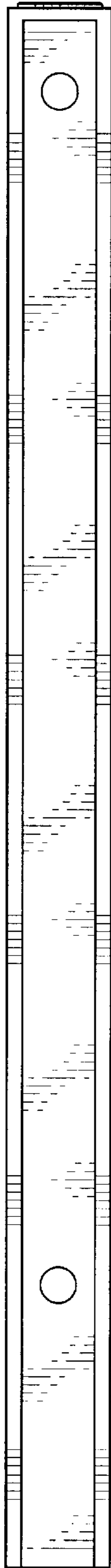


FIG.5

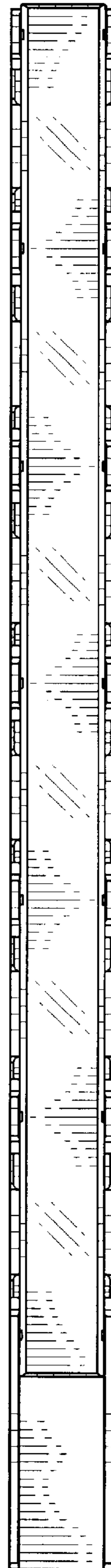


FIG.6

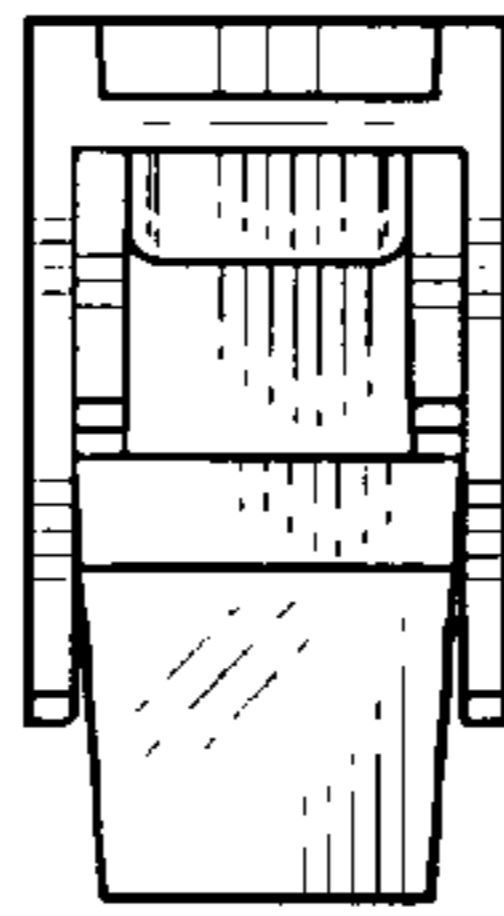


FIG.7

