



US00D533465S

(12) **United States Design Patent**  
**Jackson**

(10) **Patent No.:** **US D533,465 S**

(45) **Date of Patent:** **\*\* Dec. 12, 2006**

(54) **PRODUCT DISPENSER**

(75) Inventor: **Matthew Robert James Jackson**,  
Chicago, IL (US)

(73) Assignee: **Wm. Wrigley, Jr. Company**, Chicago,  
IL (US)

(\*\*) Term: **14 Years**

(21) Appl. No.: **29/244,627**

(22) Filed: **Dec. 12, 2005**

(51) **LOC (8) Cl.** ..... **09-03**

(52) **U.S. Cl.** ..... **D9/733**

(58) **Field of Classification Search** ..... D9/723,  
D9/727, 730, 731, 733, 414, 415, 418, 422,  
D9/424; D3/203.2, 901; 166/185; D28/4,  
D28/7, 9, 73-77; D24/108, 130; D6/512,  
D6/515, 518, 522; 206/216, 373, 523-527,  
206/536, 823; 220/4.03, 8, 211, 213

See application file for complete search history.

(56) **References Cited**

**U.S. PATENT DOCUMENTS**

1,713,129	A	*	5/1929	Hope	.....	220/8
2,942,668	A	*	6/1960	Maly et al.	.....	166/185
3,485,416	A		12/1969	Fohrman		
D270,770	S	*	9/1983	Bakic	.....	D28/76
D272,970	S	*	3/1984	Hasegawa et al.	.....	D6/518
4,467,940	A	*	8/1984	Little	.....	220/211
D292,372	S	*	10/1987	Sykes	.....	D3/203.2
D316,789	S	*	5/1991	McLaughlin	.....	D6/522
5,605,242	A	*	2/1997	Hwang	.....	220/8
5,620,109	A	*	4/1997	Madden	.....	220/8
5,709,306	A	*	1/1998	Hofmann	.....	206/536
5,829,591	A	*	11/1998	Lyons	.....	206/373

D425,411	S	*	5/2000	May	.....	D9/730
D426,153	S		6/2000	Sagel et al.		
D452,788	S	*	1/2002	Neiberger et al.	.....	D6/518
D466,801	S		12/2002	Holland		
D491,805	S		6/2004	Loth et al.		
2005/0029282	A1		2/2005	Devine		

\* cited by examiner

*Primary Examiner*—Nanda Bondade

*Assistant Examiner*—Shanda C Hill

(74) *Attorney, Agent, or Firm*—Rebecca A. Aumann

(57) **CLAIM**

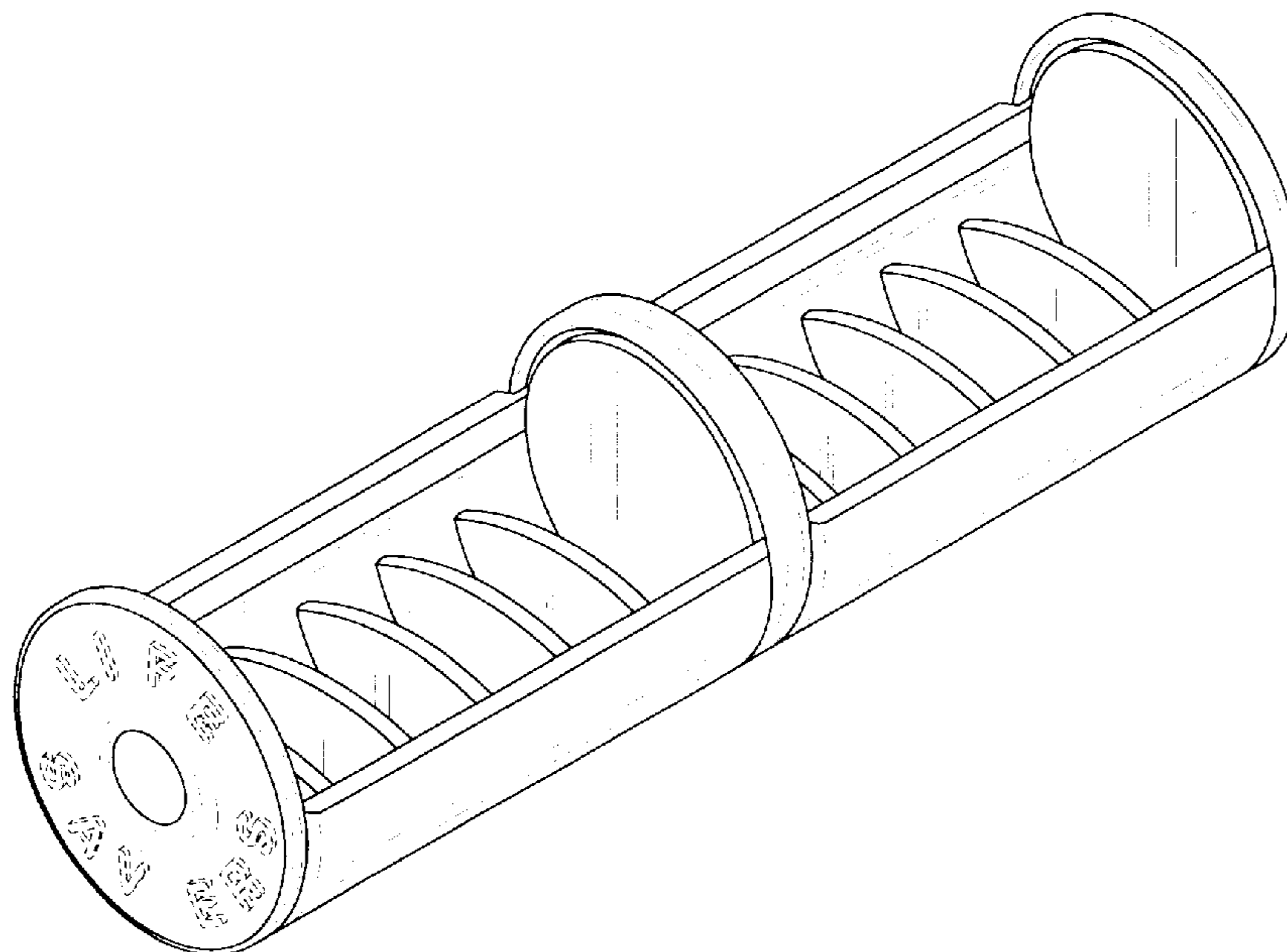
The ornamental design for a product dispenser, as shown and described.

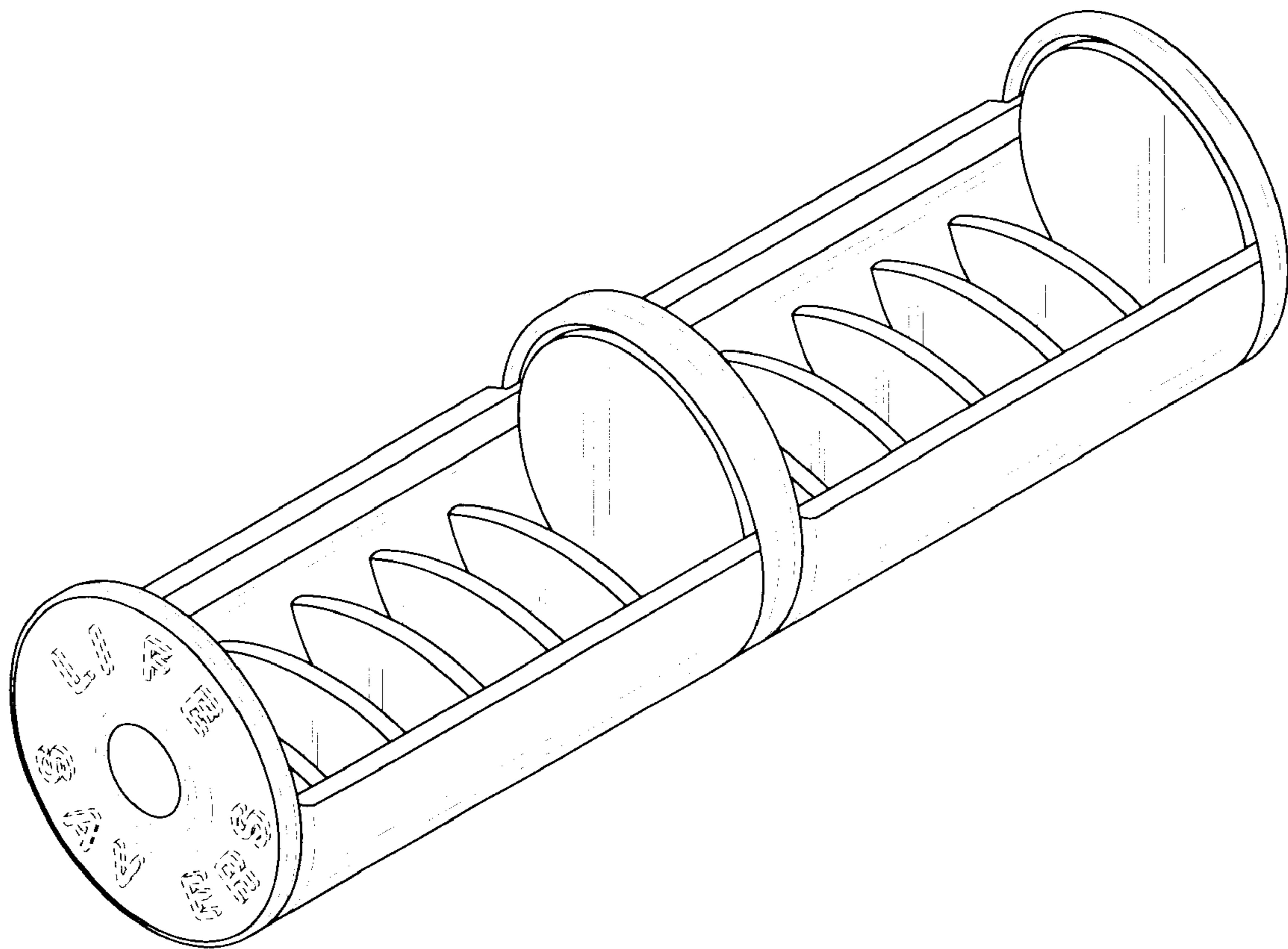
**DESCRIPTION**

FIG. 1 is a perspective view of a product dispenser showing my new design, wherein both covers are in an open position; FIG. 2 is a bottom view thereof; FIG. 3 is a top view thereof; FIG. 4 is a front view thereof; FIG. 5 is a rear view thereof; FIG. 6 is a left side view thereof; FIG. 7 is a right side view thereof; FIG. 8 is a perspective view of the product dispenser, wherein one cover is in an open position and another cover is in a closed position; and, FIG. 9 is a perspective view of the product dispenser, wherein one cover is in an open position and another cover is in a closed position.

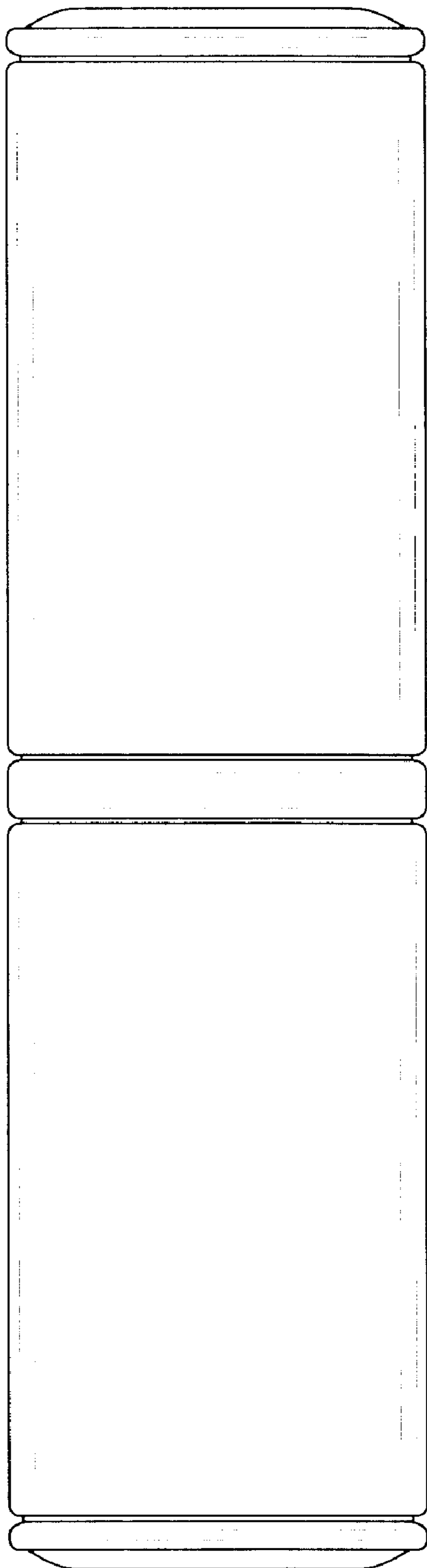
The broken lines shown in the drawing disclosure are for illustrative purposes only and form no part of the claimed design.

**1 Claim, 5 Drawing Sheets**

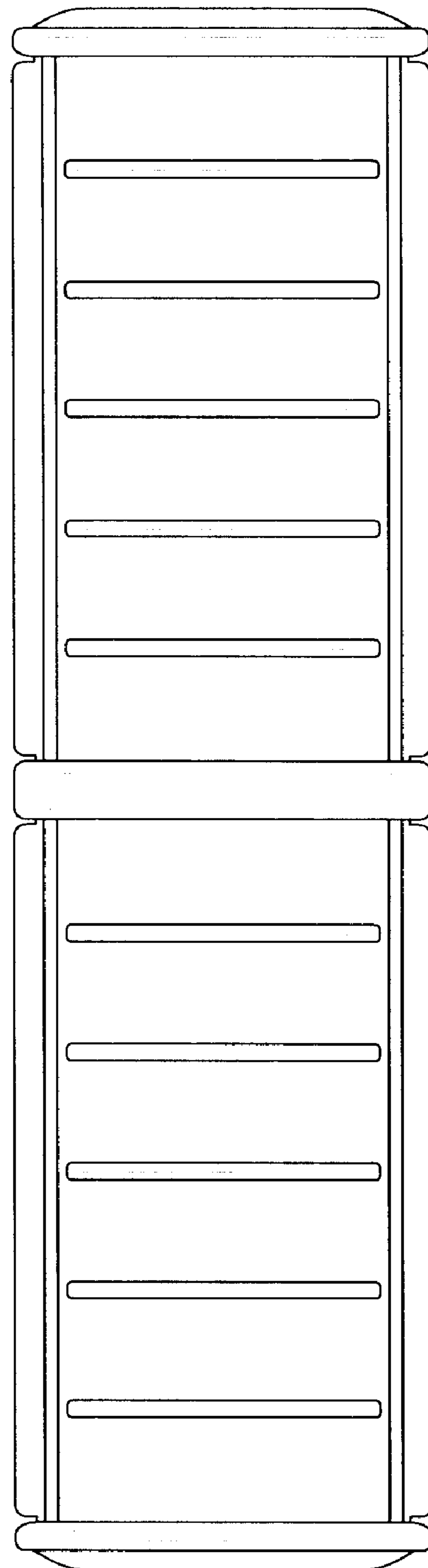




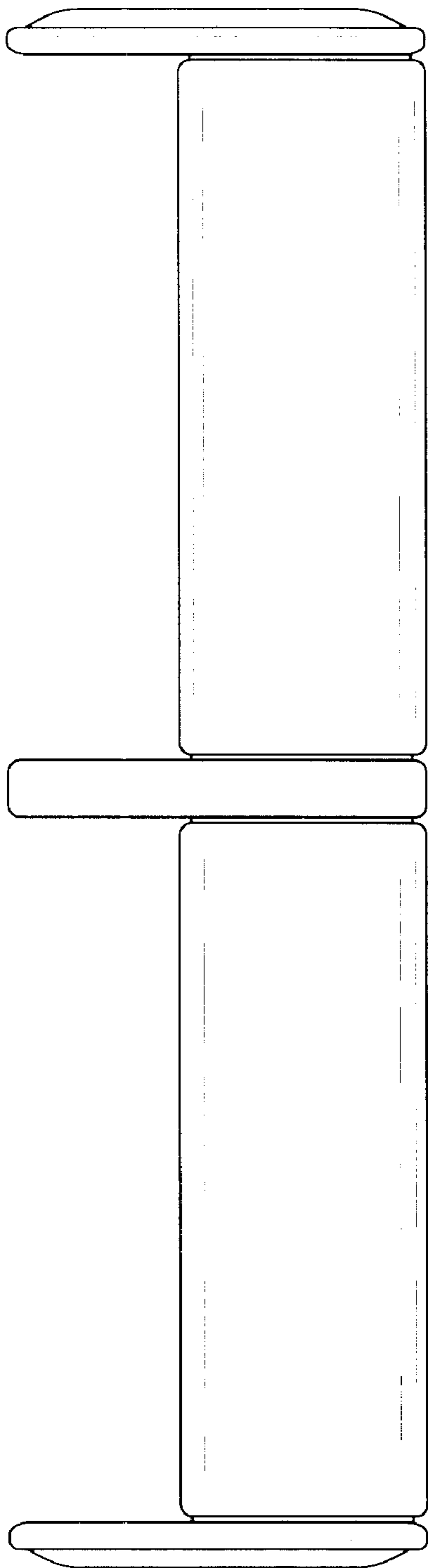
**FIG. 1**



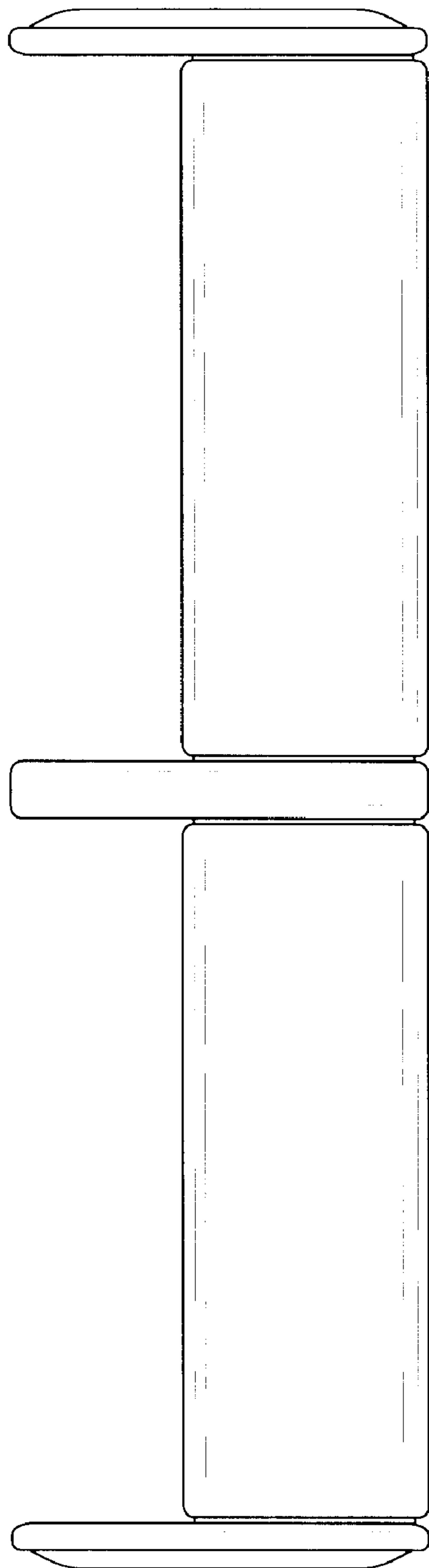
**FIG. 2**



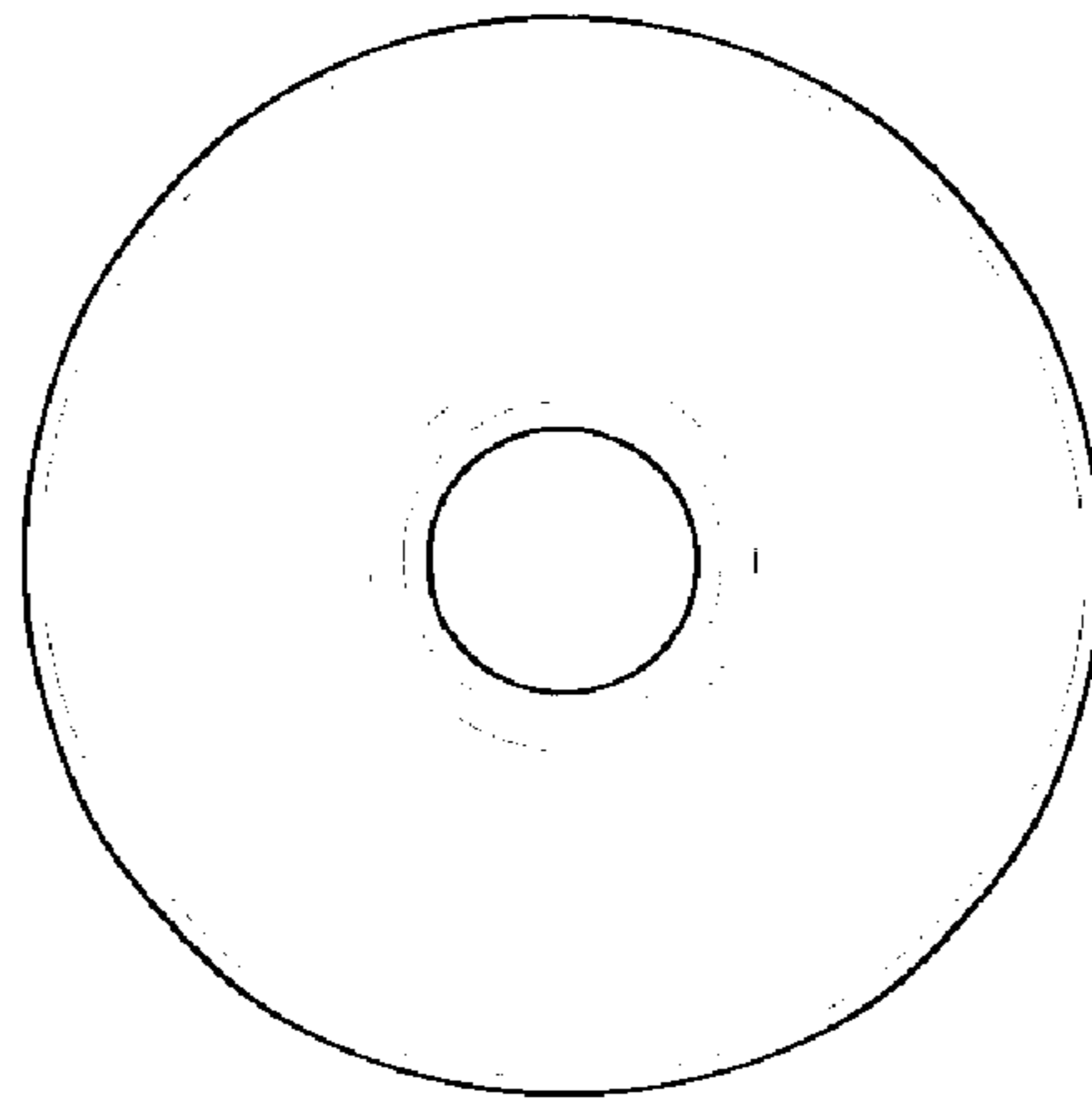
**FIG. 3**



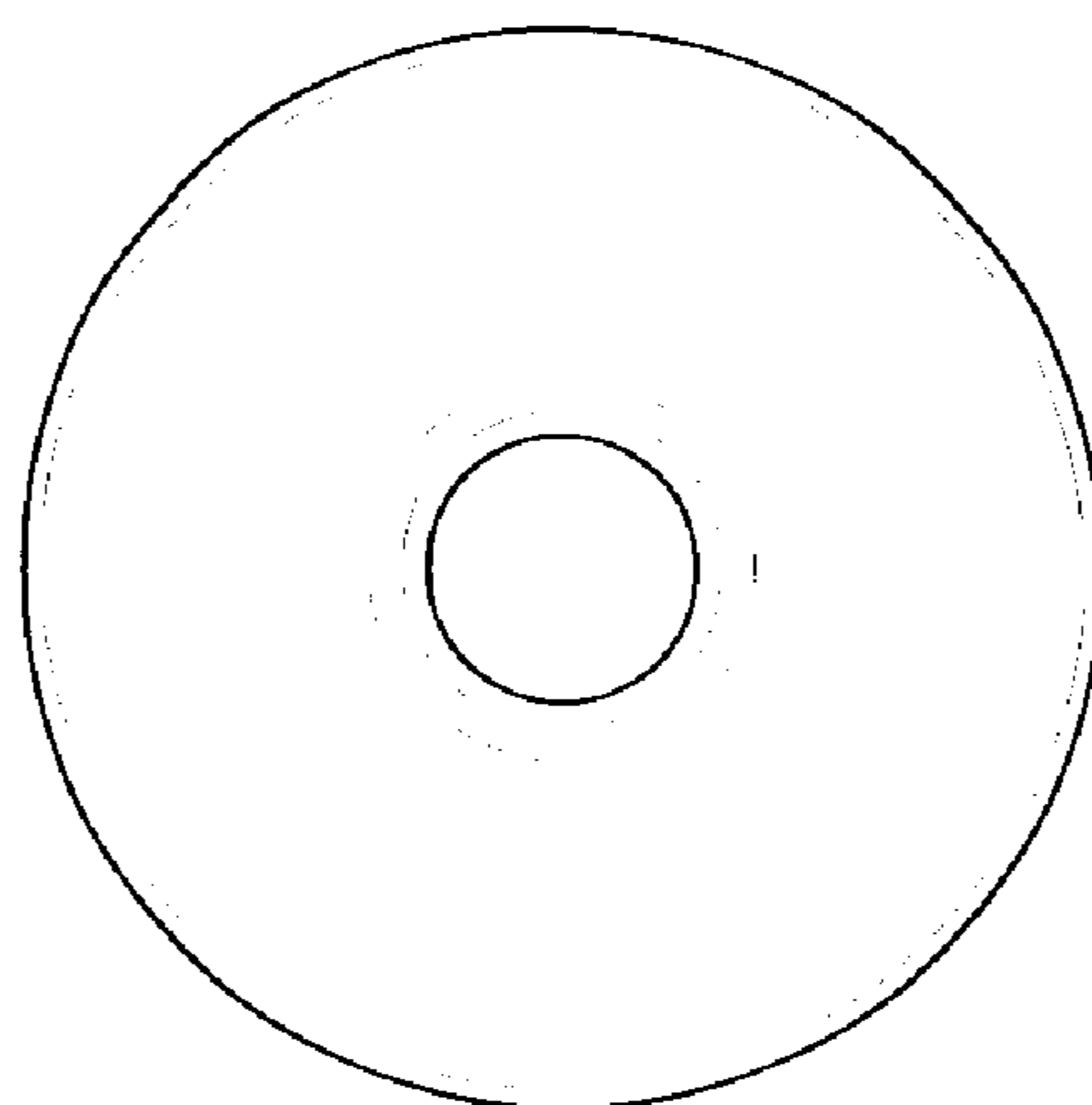
**FIG. 4**



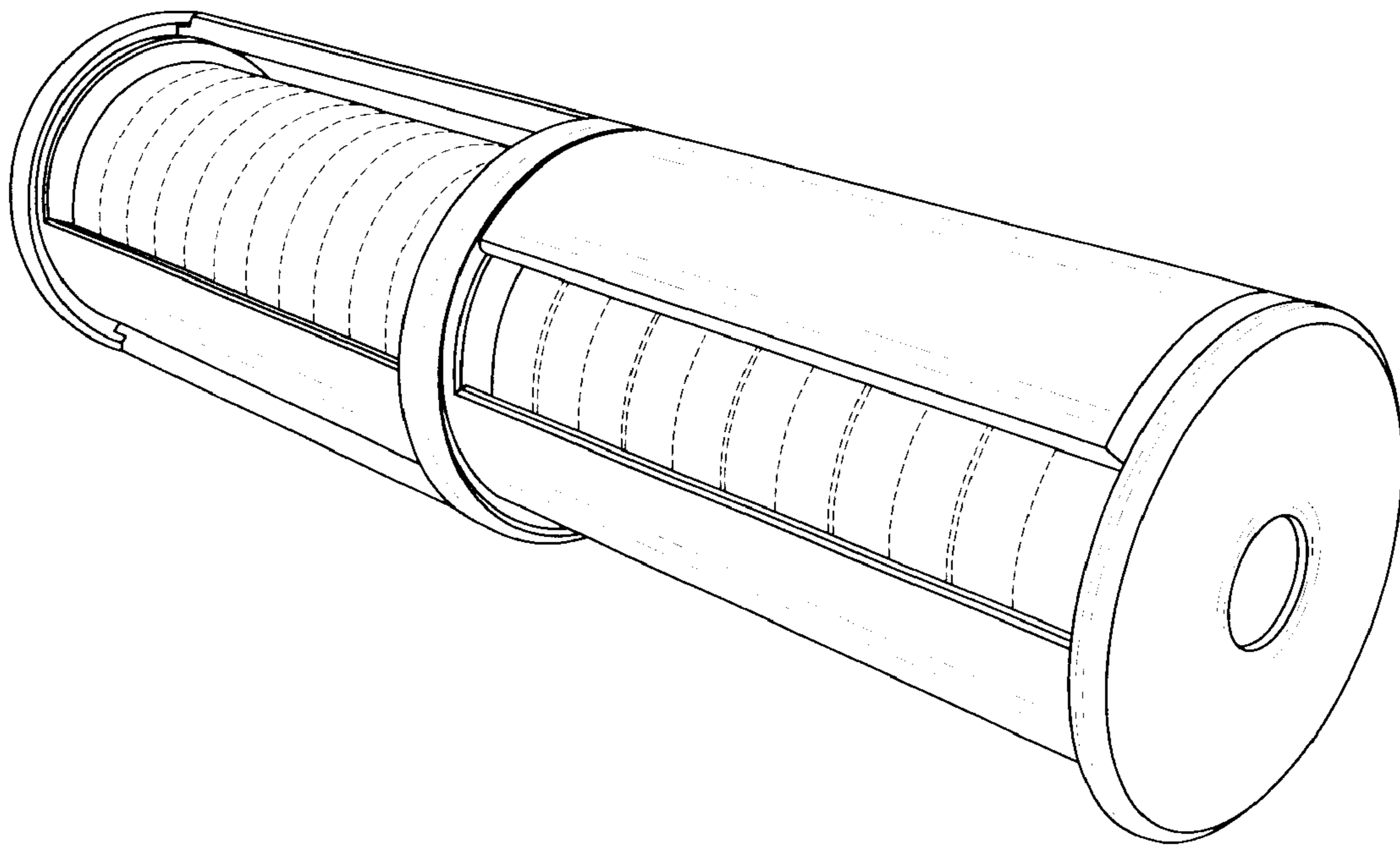
**FIG. 5**



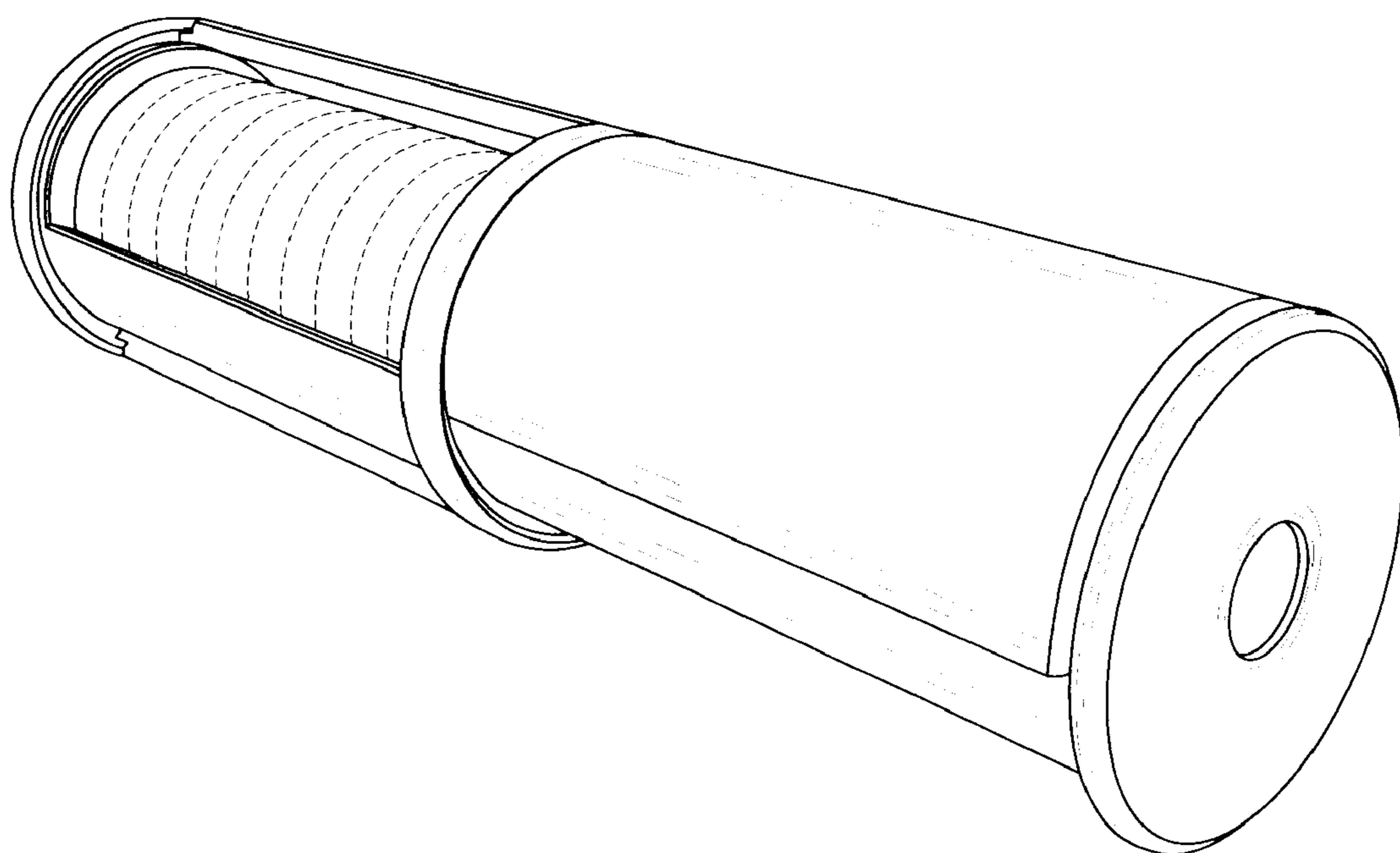
**FIG. 6**



**FIG. 7**



**FIG. 8**



**FIG. 9**