



US00D533461S

(12) **United States Design Patent**  
**Oliver**

(10) **Patent No.:** **US D533,461 S**

(45) **Date of Patent:** **\*\* Dec. 12, 2006**

(54) **SOAP DISPENSER**

(75) Inventor: **Andrew Oliver**, Cos Cob, CT (US)

(73) Assignee: **Giantmicrobes Inc.**, Stamford, CT (US)

(\*\*) Term: **14 Years**

(21) Appl. No.: **29/242,866**

(22) Filed: **Nov. 16, 2005**

(51) **LOC (8) Cl.** ..... **09-01**

(52) **U.S. Cl.** ..... **D9/601; D9/551; D9/574**

(58) **Field of Classification Search** ..... D9/500,  
D9/502-505, 516, 519-520, 522, 526, 529,  
D9/541-546, 549, 550-552, 557, 563-565,  
D9/570-571, 574-575, 668, 682, 686-694,  
D9/723-729, 601, 606-614, 620, 625; D11/152-154;  
215/382-384, 396, 398, 12.1-12.2, 13.1  
See application file for complete search history.

(56) **References Cited**

**U.S. PATENT DOCUMENTS**

D74,183 S	*	1/1928	McEldowney	.....	D7/302
D115,652 S	*	7/1939	Hendrickson	.....	D9/607
D188,353 S	*	7/1960	Merrill	.....	D9/620
D264,365 S	*	5/1982	Arino	.....	D21/713
D273,505 S	*	4/1984	Routzong et al.	.....	D21/714
D284,068 S		6/1986	Ford et al.		
D293,959 S	*	1/1988	Allen	.....	D99/39
D326,312 S		5/1992	Frankel		
D326,313 S		5/1992	Frankel		
D342,020 S	*	12/1993	Orosz et al.	.....	D9/607
D346,551 S	*	5/1994	Terrell	.....	D9/620

D358,610 S		5/1995	Eubank		
5,419,447 A	*	5/1995	Lim	.....	215/398
D378,232 S		2/1997	Frankel		
D414,931 S	*	10/1999	Palmer	.....	D3/271.8
D416,480 S	*	11/1999	Hager et al.	.....	D9/608
D423,400 S	*	4/2000	Schnaithmann	.....	D11/131
D426,994 S		6/2000	Hansen et al.		
D436,525 S	*	1/2001	Lin	.....	D9/601
D436,528 S	*	1/2001	Bergersen	.....	D9/609
6,832,916 B1		12/2004	Collopy		
D519,035 S	*	4/2006	Kelleghan	.....	D9/616
D523,914 S	*	6/2006	Fine	.....	D21/714

\* cited by examiner

*Primary Examiner*—Carol Rademaker

(74) *Attorney, Agent, or Firm*—Arash Behraresh; Peter G. Korytnyk

(57) **CLAIM**

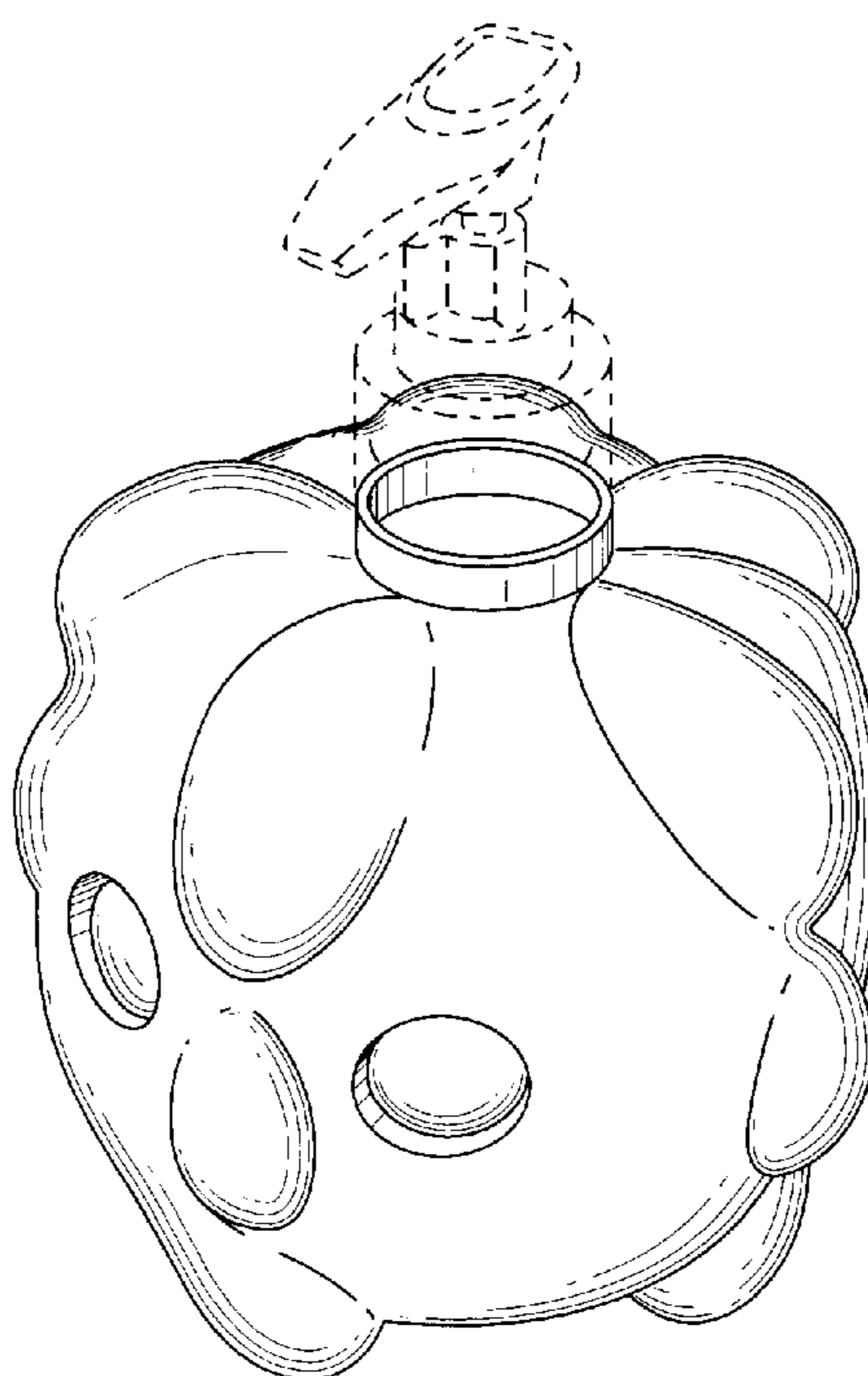
What is claimed is the ornamental design for a soap dispenser, as shown and described.

**DESCRIPTION**

FIG. 1 is a front, right, and top perspective view of an ornamental design for a soap dispenser;  
FIG. 2 is a front view thereof;  
FIG. 3 is a back view thereof;  
FIG. 4 is a right side view thereof;  
FIG. 5 is the left side view thereof;  
FIG. 6 is a top view thereof; and,  
FIG. 7 is a bottom view thereof.

All portions shown in broken lines are environmental and illustrative only and form no part of the claimed design.

**1 Claim, 7 Drawing Sheets**



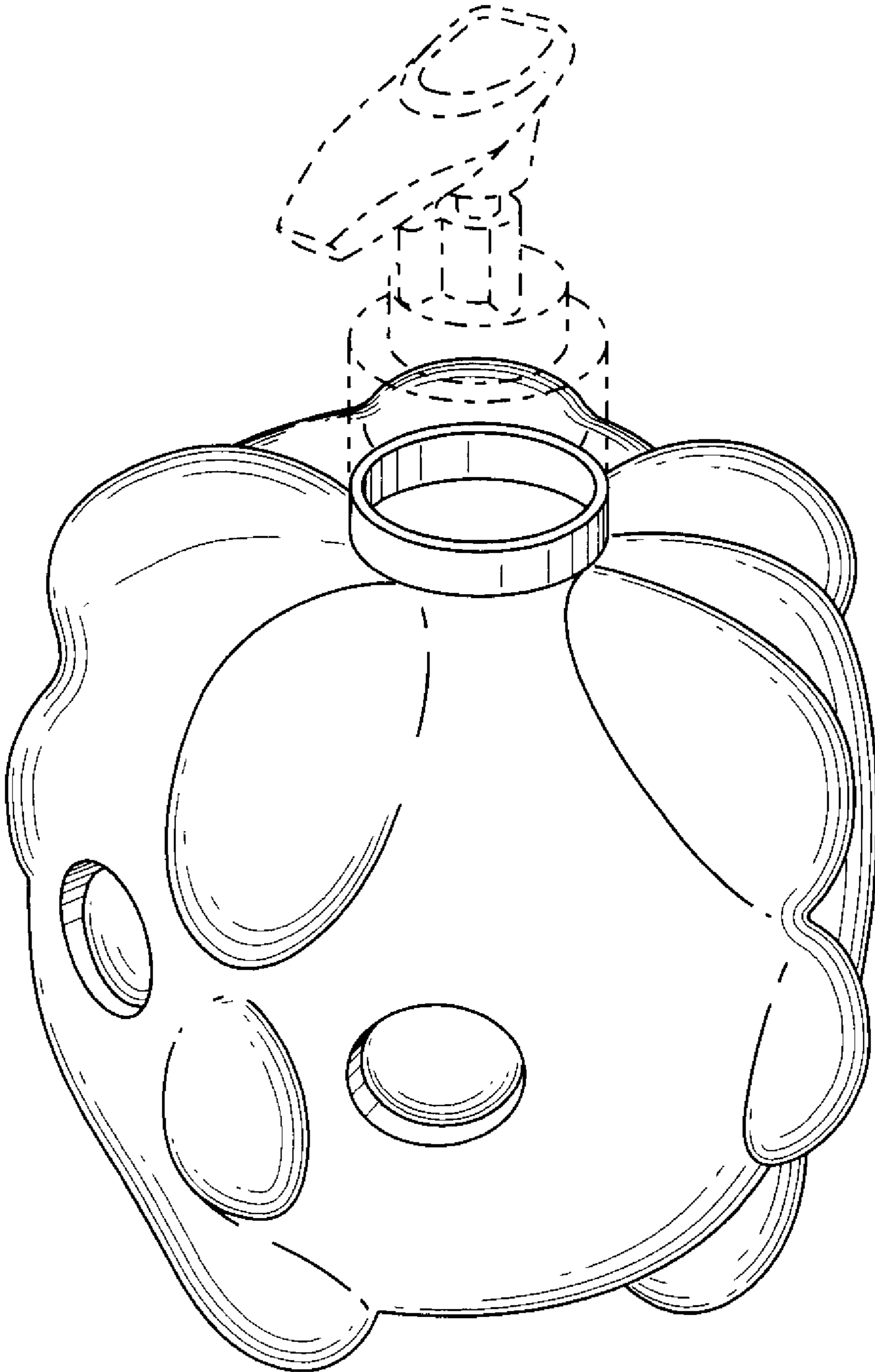


Fig. 1

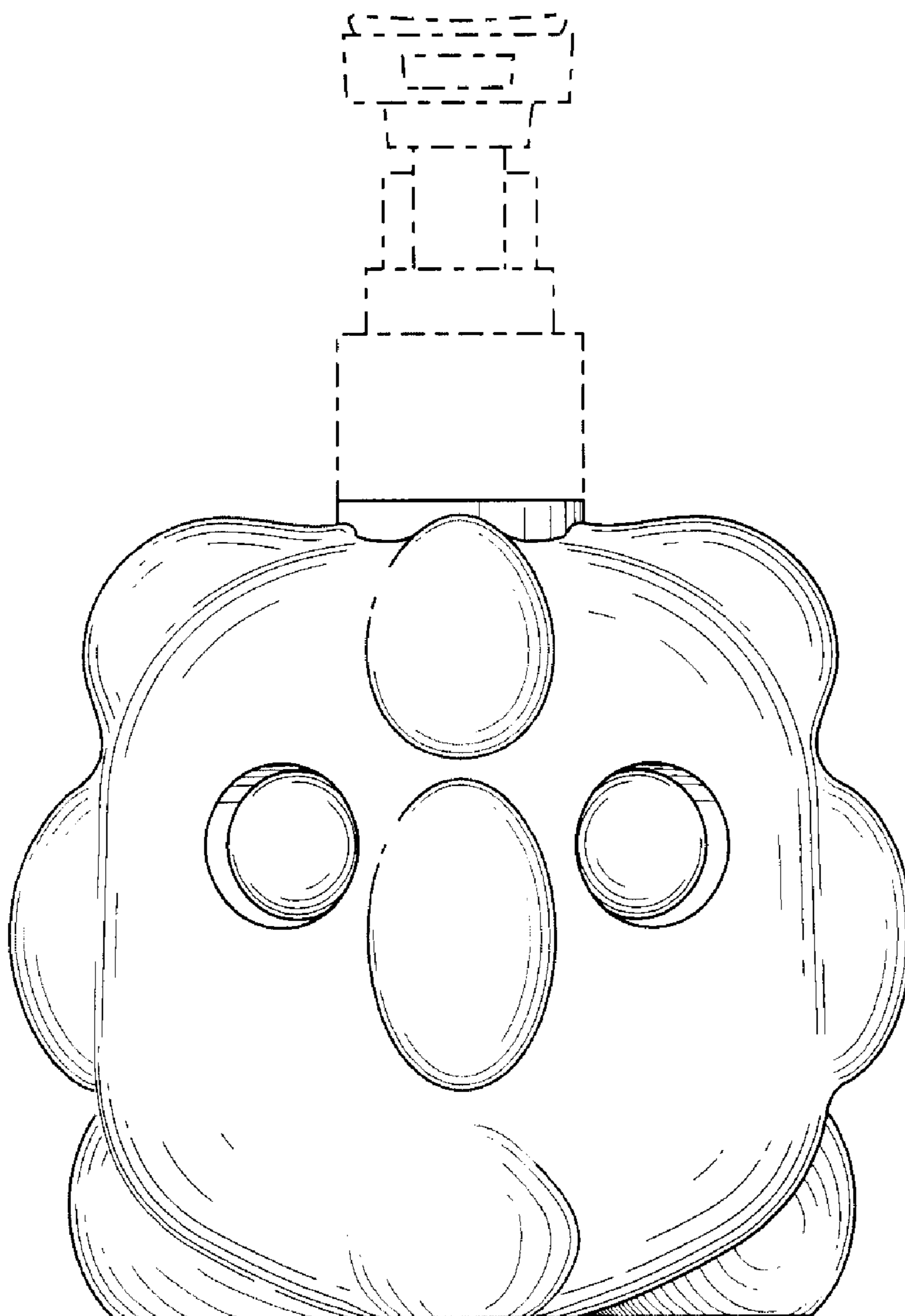


Fig. 2

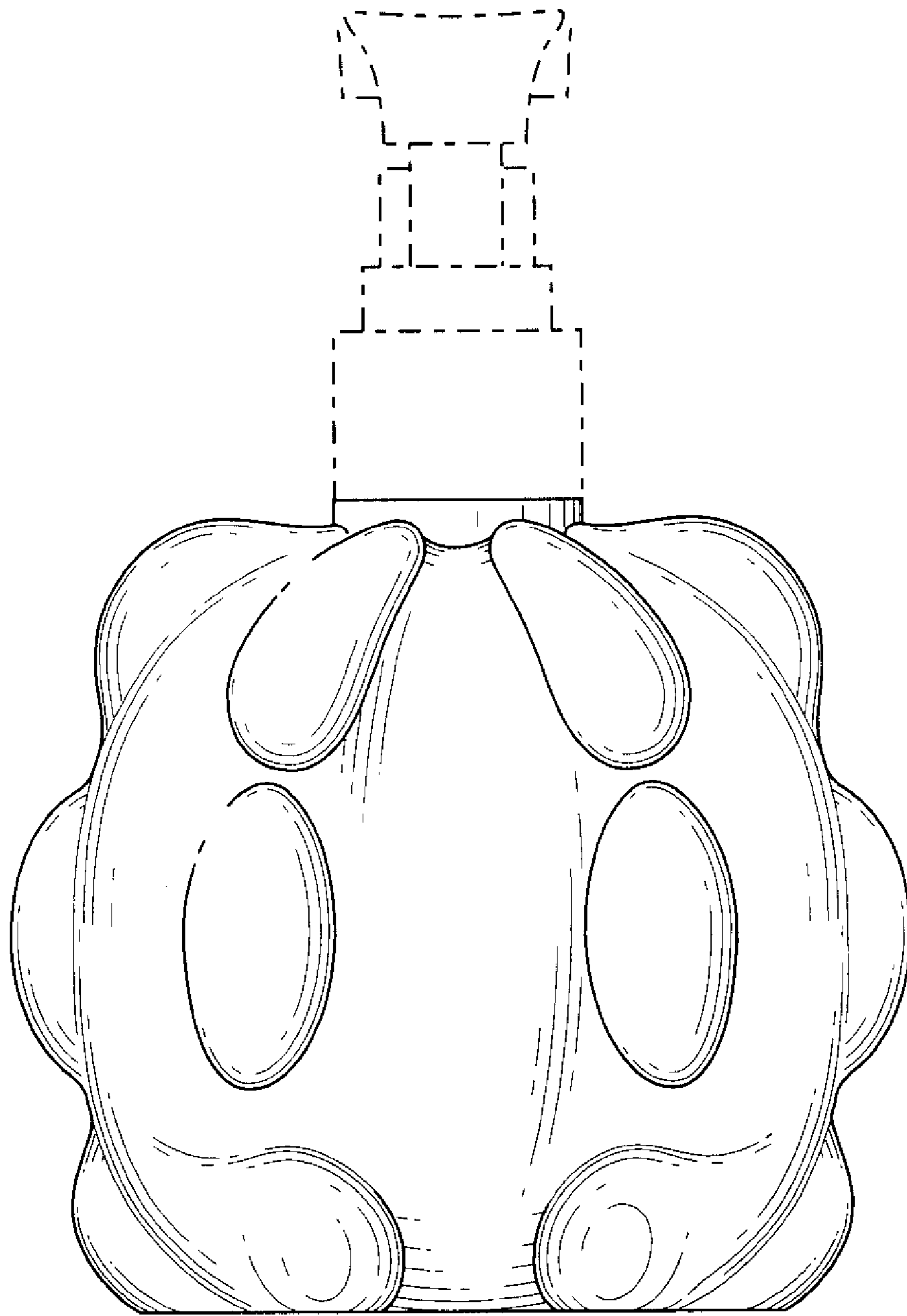


Fig. 3

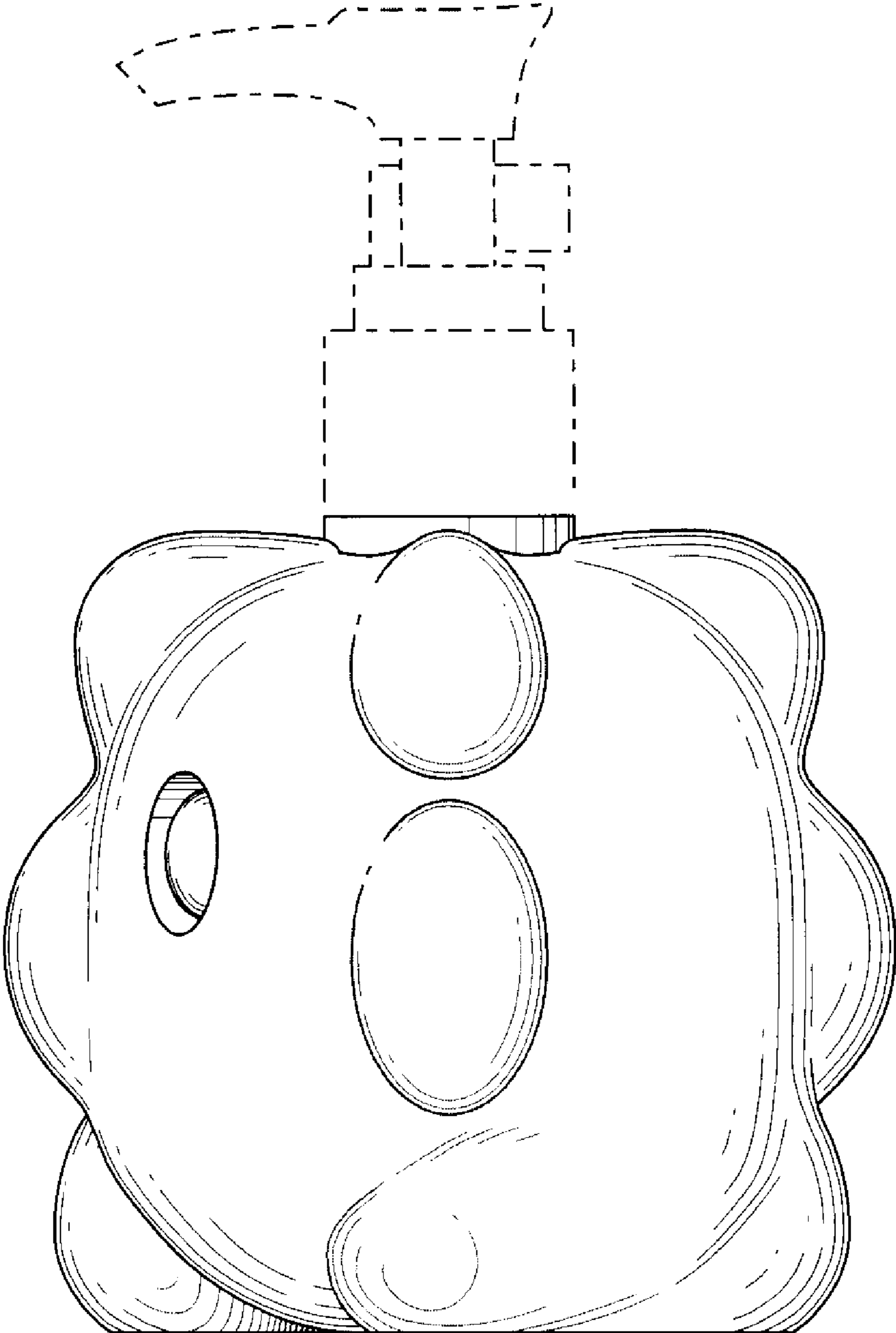


Fig. 4

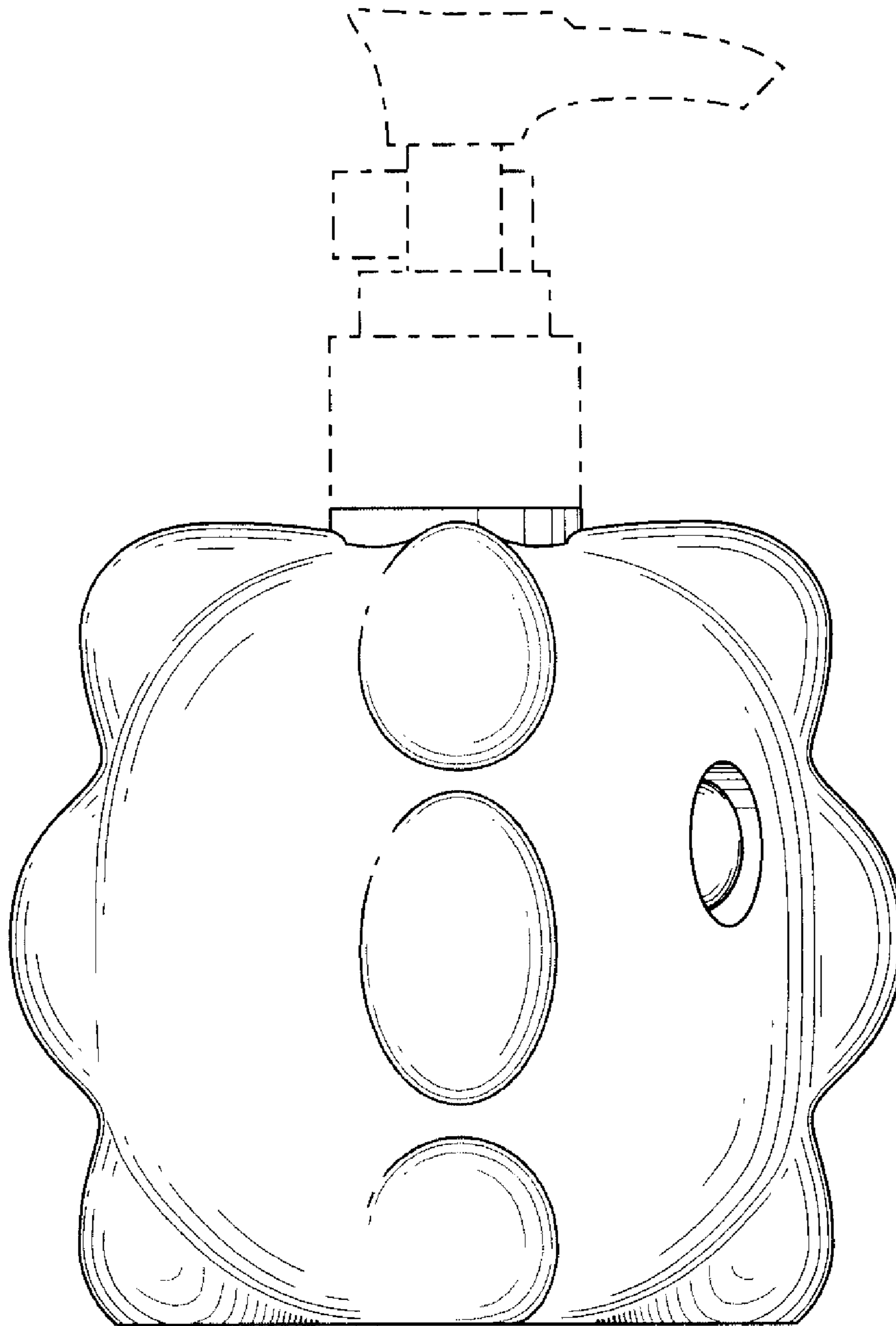


Fig. 5

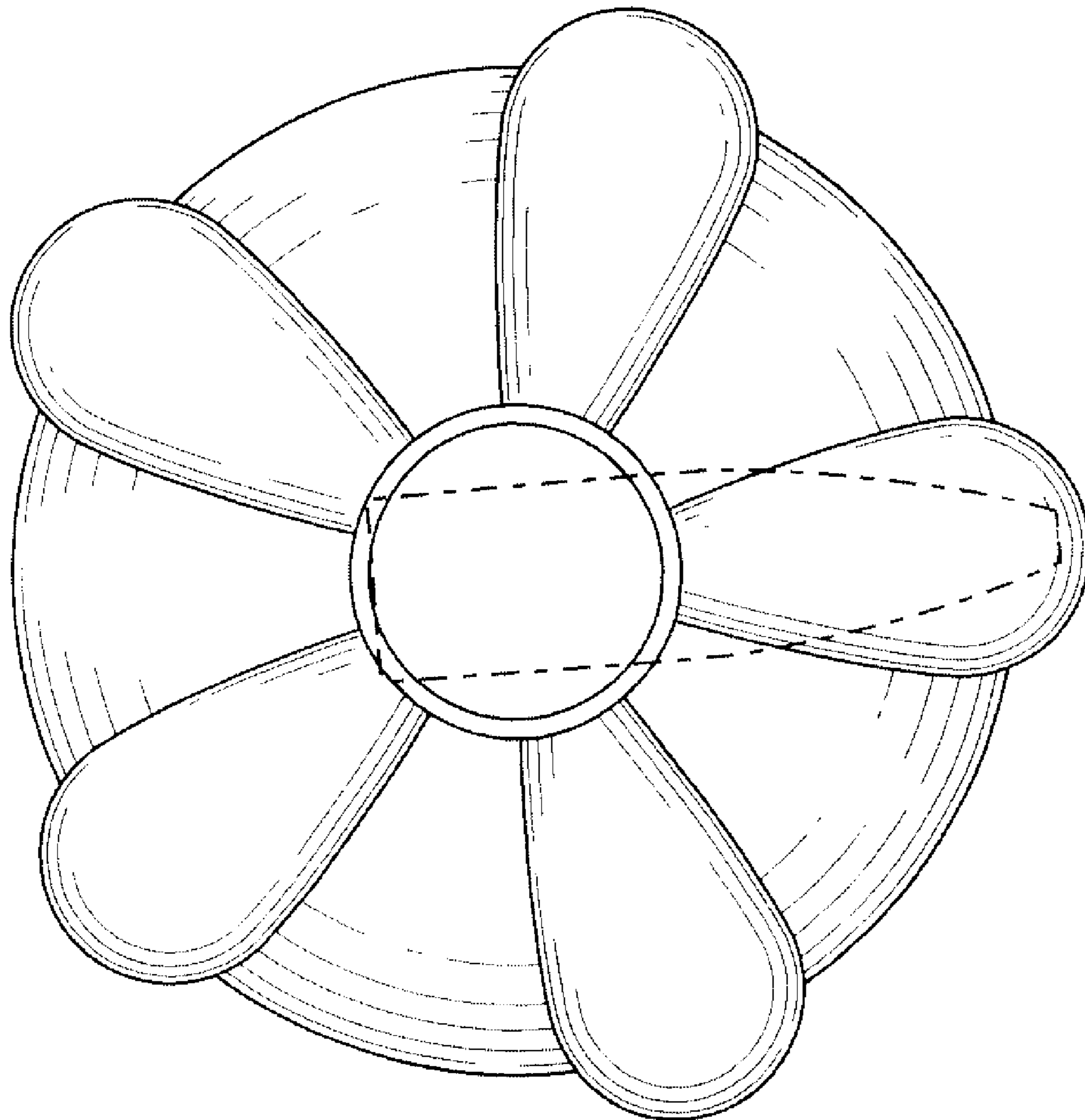


Fig. 6

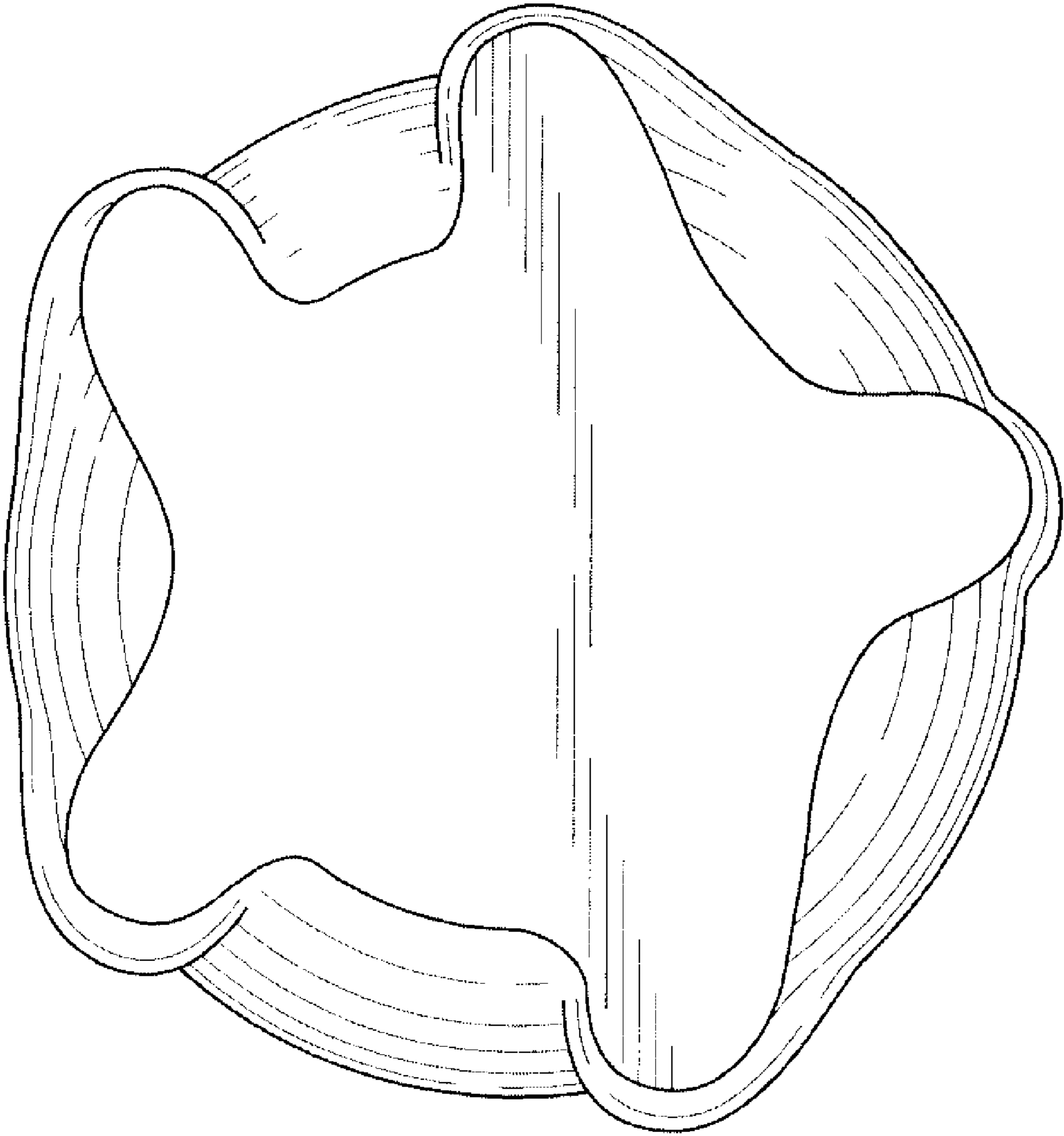


Fig. 7