



US00D533459S

(12) **United States Design Patent**  
**Wagner**

(10) **Patent No.:** **US D533,459 S**

(45) **Date of Patent:** **\*\* Dec. 12, 2006**

(54) **WATER BOTTLE**

(76) **Inventor:** **Richard Norman Zach Wagner**, 308  
S. Camden Dr., Beverly Hills, CA (US)  
90212

(\*\*) **Term:** **14 Years**

(21) **Appl. No.:** **29/220,304**

(22) **Filed:** **Dec. 29, 2004**

(51) **LOC (8) Cl.** ..... **09-01**

(52) **U.S. Cl.** ..... **D9/535; D9/548; D9/574**

(58) **Field of Classification Search** ..... D9/682,  
D9/686-689, 693-694, 723-725, 727-729,  
D9/763-764, 770, 521-523, 526-530, 535,  
D9/537-546, 547-549, 551-552, 556, 558,  
D9/561, 563-565, 569, 571-575; 222/210,  
222/212-213; 215/382-384, 396, 398; 220/660,  
220/669, 675

See application file for complete search history.

(56) **References Cited**

**U.S. PATENT DOCUMENTS**

43,154	A	*	6/1864	Heneage	.....	215/383	X
D11,149	S	*	4/1879	Hood	.....	D9/521	
D29,092	S	*	7/1898	Freeman	.....	D9/558	
D71,125	S	*	9/1926	Becker	.....	D9/535	
D86,570	S	*	3/1932	Humphreys	.....	D9/535	
D86,703	S	*	4/1932	Delich	.....	D9/715	
D105,379	S	*	7/1937	Guerlain	.....	D9/542	
D129,514	S	*	9/1941	Parkinson	.....	D9/535	

D163,937	S	*	7/1951	De Montesquiou	.....	D9/632	
2,722,086	A	*	11/1955	Mullen	.....	215/385	X
D183,940	S	*	11/1958	Luxardo et al.	.....	D9/535	
D290,687	S	*	7/1987	Llorente	.....	D9/529	
D301,307	S	*	5/1989	Pakzad	.....	D9/535	
D304,687	S	*	11/1989	Miyakawa	.....	D9/569	
D307,552	S	*	5/1990	Pakzad	.....	D9/535	
D368,662	S	*	4/1996	Stewart-Johnson	.....	D9/535	
D380,683	S	*	7/1997	Rothschild, III	.....	D9/535	
D397,039	S	*	8/1998	Dickson et al.	.....	D9/544	
D459,233	S	*	6/2002	Young	.....	D9/535	

\* cited by examiner

*Primary Examiner*—Carol Rademaker

(74) *Attorney, Agent, or Firm*—Keusey, Tutunjian & Bitetto, P.C.

(57) **CLAIM**

The ornamental design for a water bottle, as shown and described.

**DESCRIPTION**

FIG. 1 is a perspective view of the water bottle showing my new design;

FIG. 2 is a front elevational view thereof;

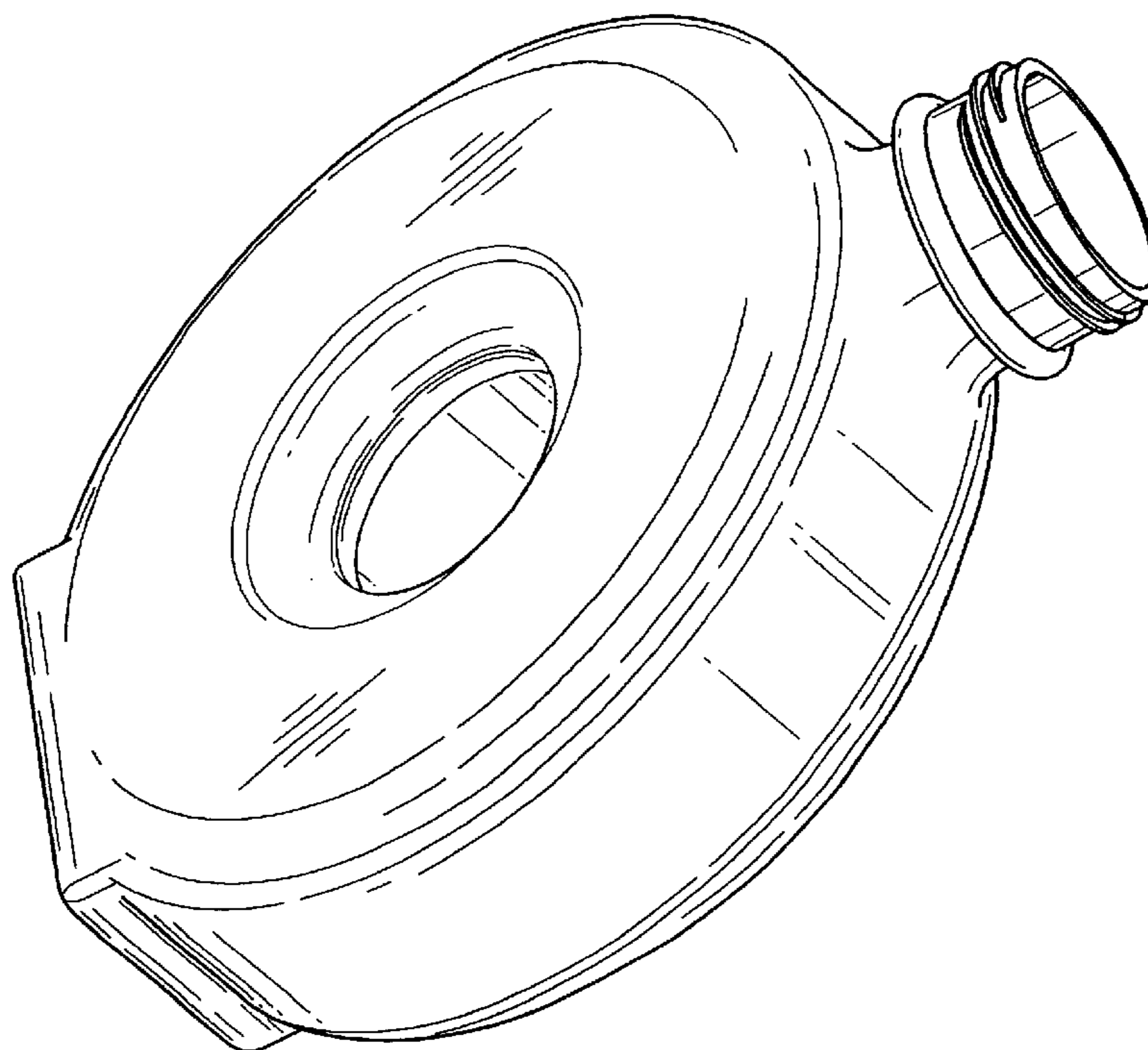
FIG. 3 is a right side elevational view thereof, the left side elevational view being identical except for the threads;

FIG. 4 is a top plan view thereof; and,

FIG. 5 is a bottom plan view thereof.

The broken lines shown in the drawings are for illustrative purposes only and form no part of the claimed design.

**1 Claim, 2 Drawing Sheets**



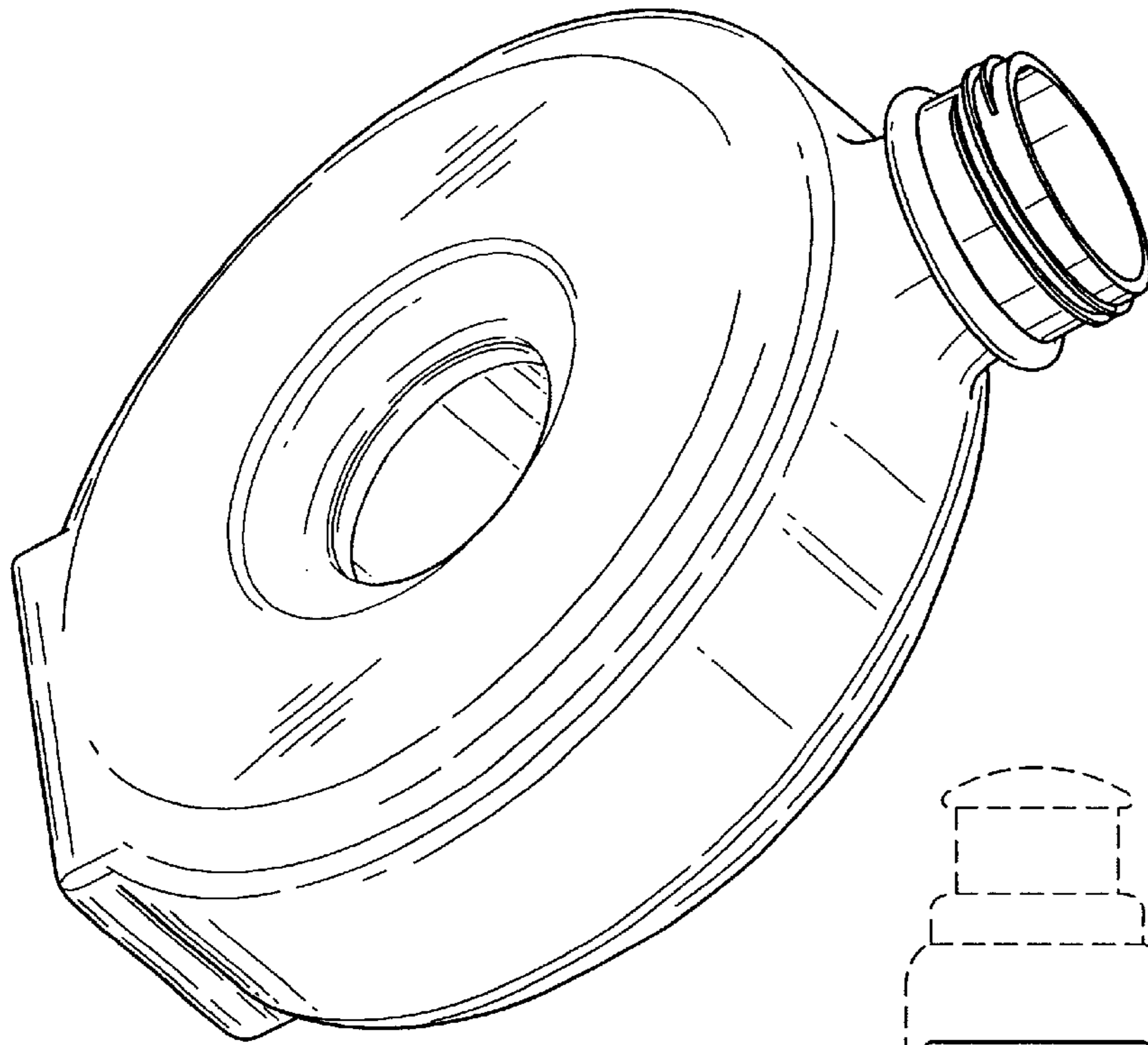


FIG. 1

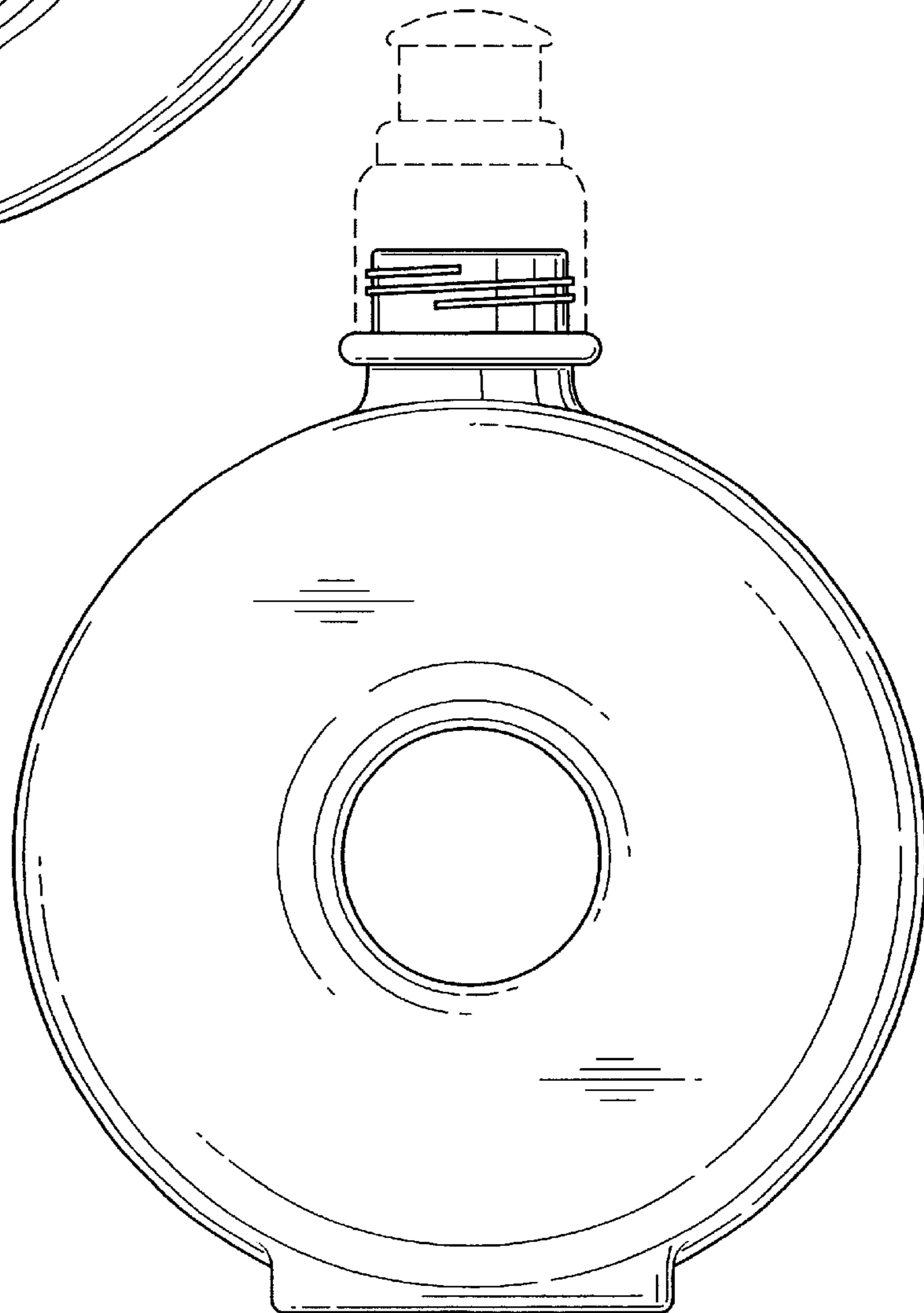


FIG. 2

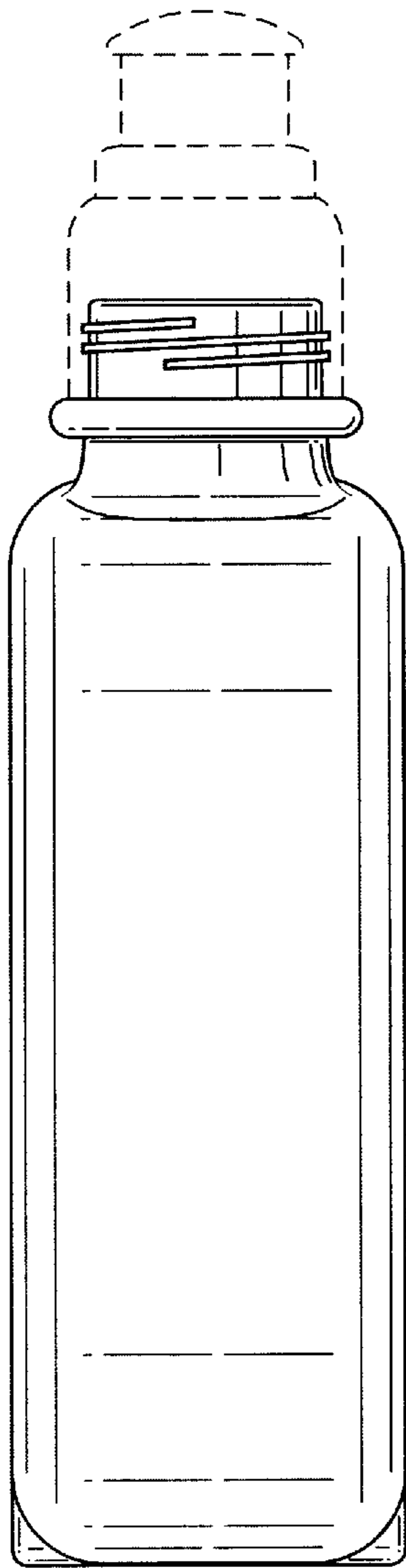


FIG. 3

FIG. 4

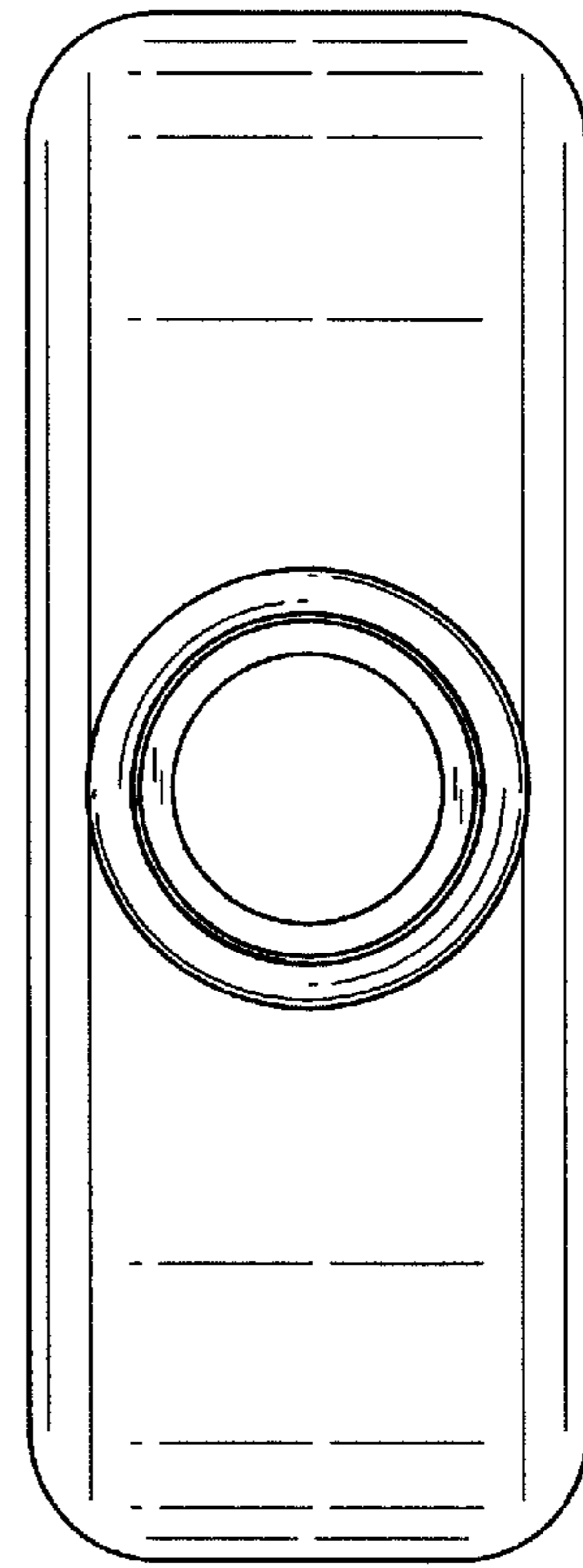


FIG. 5

