



US00D533458S

(12) **United States Design Patent**
Weggelaar

(10) **Patent No.:** **US D533,458 S**

(45) **Date of Patent:** **** Dec. 12, 2006**

(54) **BOTTLE**

(75) Inventor: **Bjorn Weggelaar**, Haarlem (NL)

(73) Assignee: **Sara Lee Household and Body Care Nederland B.V.**, Veenendaal (NL)

(**) Term: **14 Years**

(21) Appl. No.: **29/231,471**

(22) Filed: **Jun. 6, 2005**

(30) **Foreign Application Priority Data**

Dec. 9, 2004 (EM) 000264593-0001

(51) **LOC (8) Cl.** **09-01**

(52) **U.S. Cl.** **D9/521; D9/522; D9/565; D9/570**

(58) **Field of Classification Search** D9/682, D9/686-689, 693-694, 723-725, 727-729, D9/763-764, 770, 521-523, 526-530, 537-545, D9/547-549, 551-552, 556, 558, 561, 563-566, D9/569-575, 452-454; 215/382-384, 396, 215/398; 220/660, 669, 675; 222/210, 212-213; D23/356-359

See application file for complete search history.

(56) **References Cited**

U.S. PATENT DOCUMENTS

D285,652 S * 9/1986 Brown D9/693
D304,552 S * 11/1989 Lippman D9/521
D309,098 S * 7/1990 Moret D9/521

D322,315 S * 12/1991 Ushikubo D24/117
D350,476 S * 9/1994 Costa D9/688
D362,624 S * 9/1995 Vignot D9/520
D437,636 S * 2/2001 Basaganas D23/366
D439,319 S * 3/2001 Wolpert D23/363
D452,732 S * 1/2002 Basaganas D23/366
D471,087 S * 3/2003 McCoy et al. D9/686
D477,066 S * 7/2003 Lonczak et al. D9/658
D478,512 S * 8/2003 Duston et al. D9/522
D479,804 S * 9/2003 Wolpert et al. D9/574
D480,316 S * 10/2003 Wolpert et al. D9/574
D489,003 S * 4/2004 Loth et al. D9/422
D503,621 S * 4/2005 Heater D9/522

* cited by examiner

Primary Examiner—Carol Rademaker

(74) *Attorney, Agent, or Firm*—Kilpatrick Stockton LLP

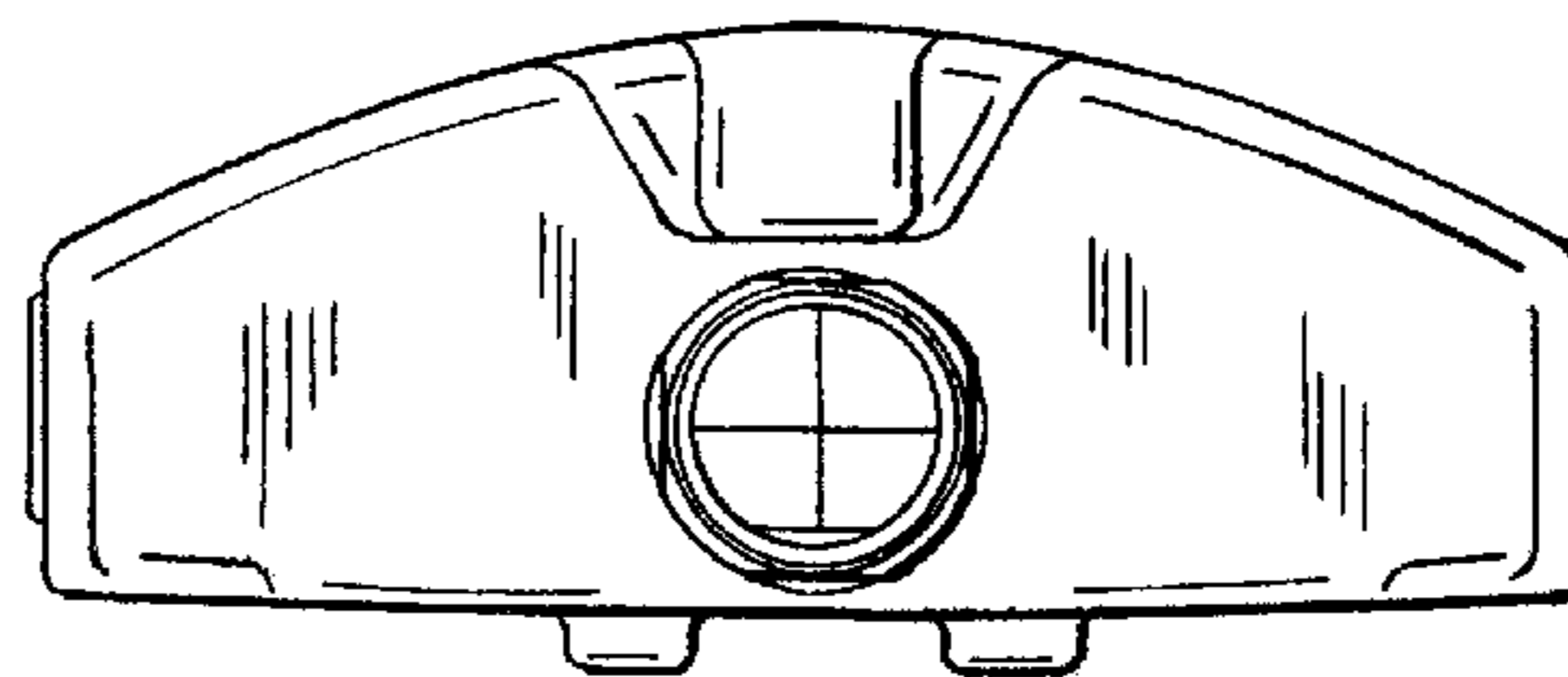
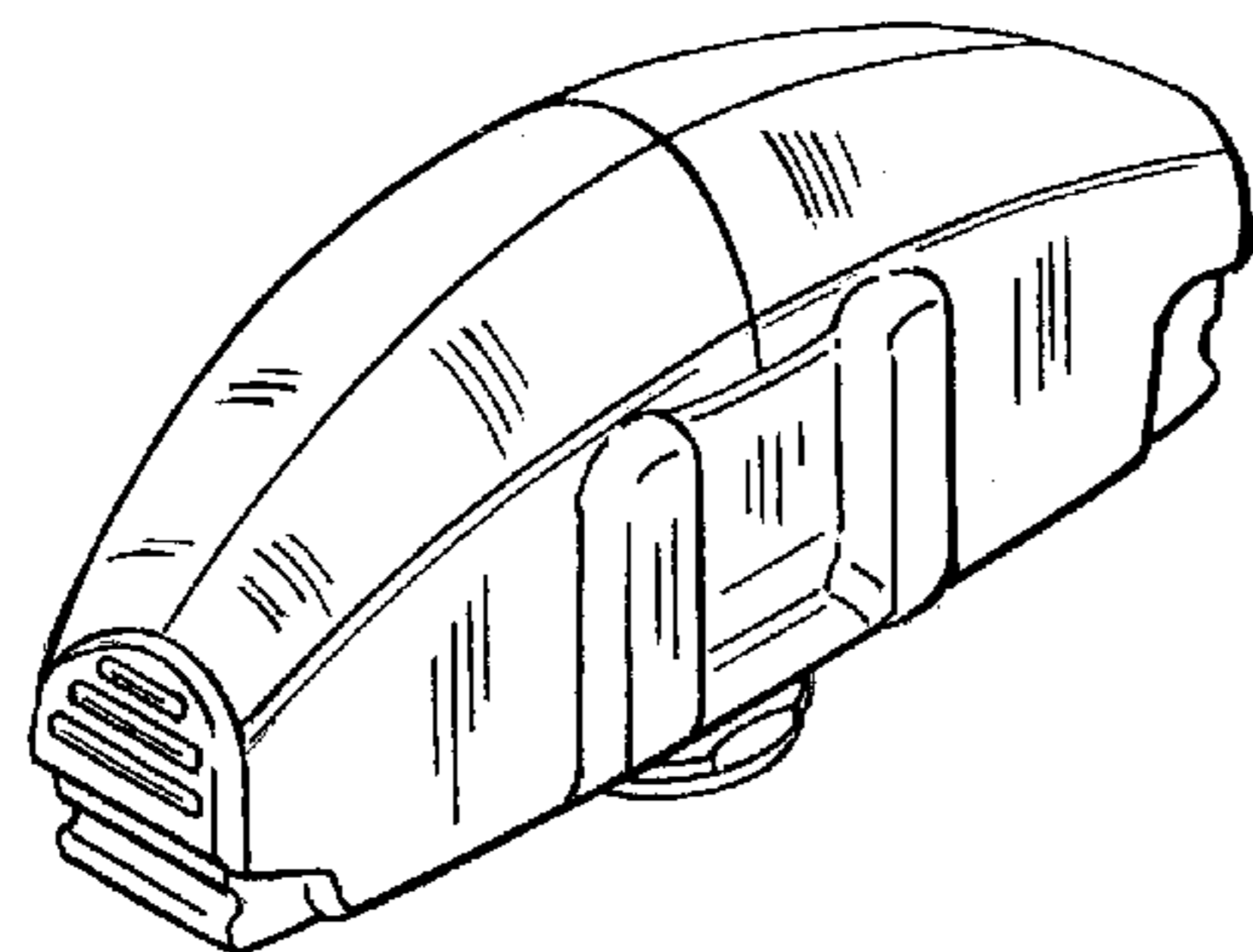
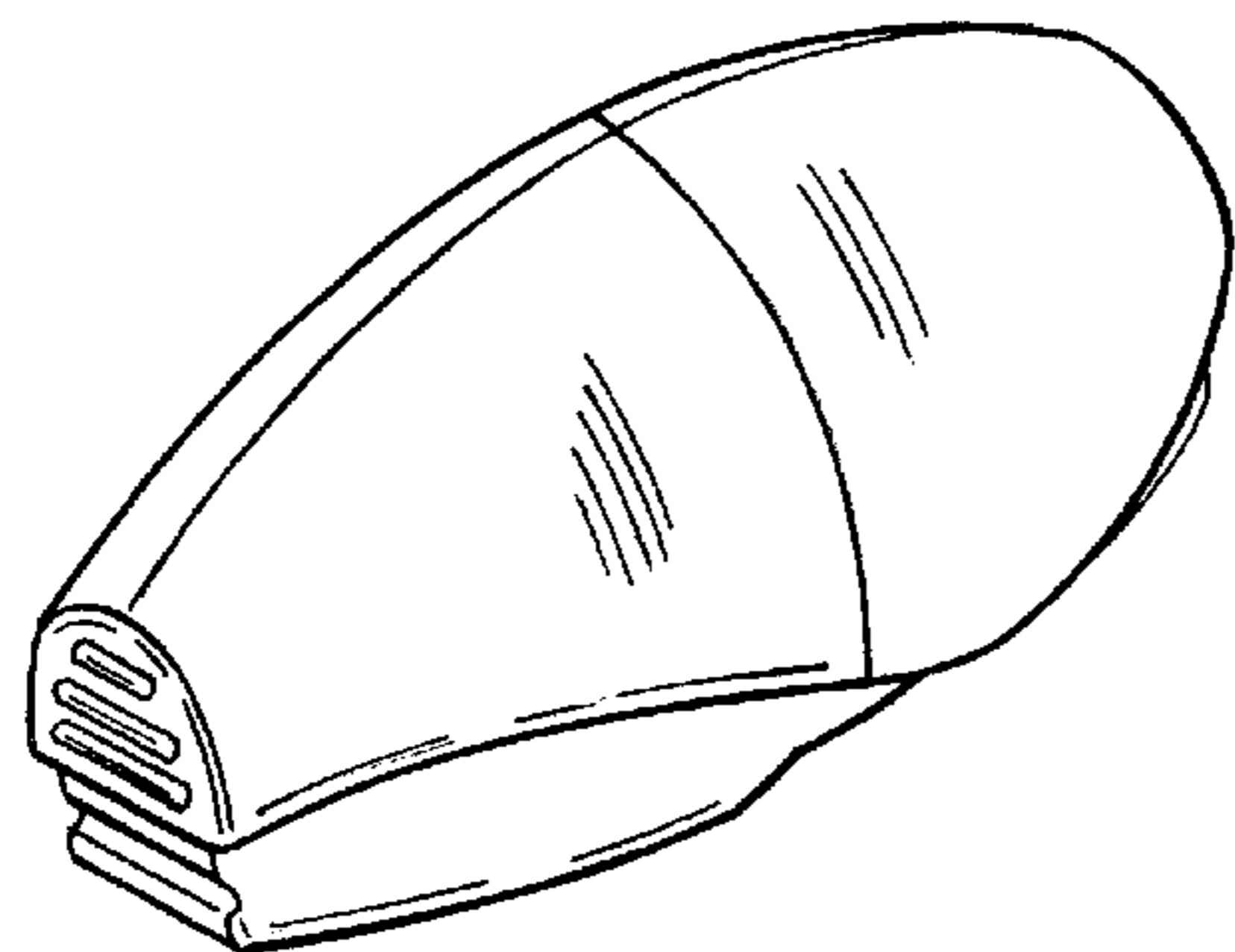
(57) **CLAIM**

I claim the ornamental design for a bottle, as shown.

DESCRIPTION

FIG. 1 is a top, front, and left side perspective view of a bottle comprising the present invention; FIG. 2 is a top, rear, and right side perspective view thereof; FIG. 3 is a front elevational view thereof; FIG. 4 is a rear elevational view thereof; FIG. 5 is a left side elevational view thereof; FIG. 6 is a right side elevational view thereof; FIG. 7 is a top plan view thereof; and, FIG. 8 is a bottom plan view thereof.

1 Claim, 4 Drawing Sheets



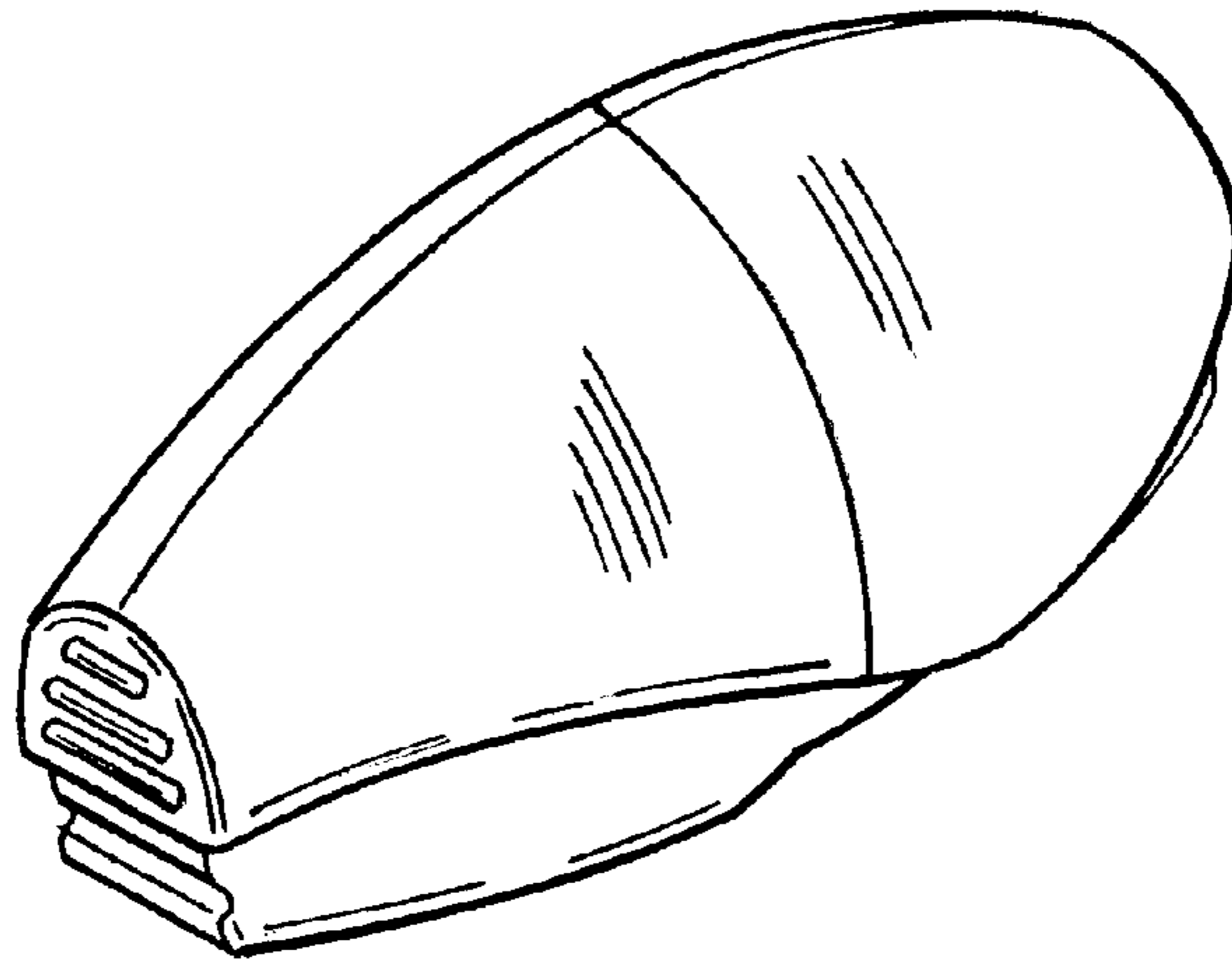


FIG. 1

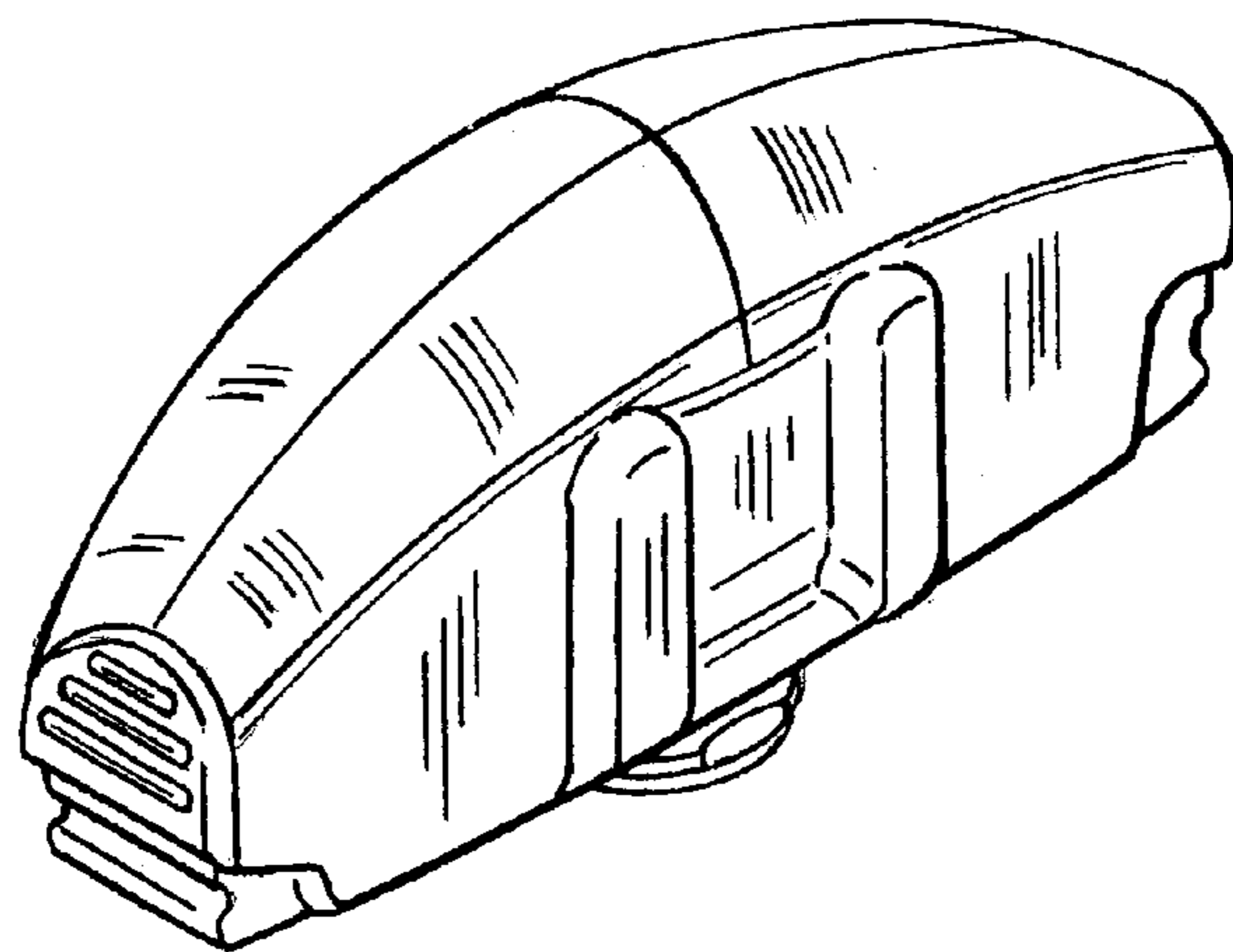


FIG. 2

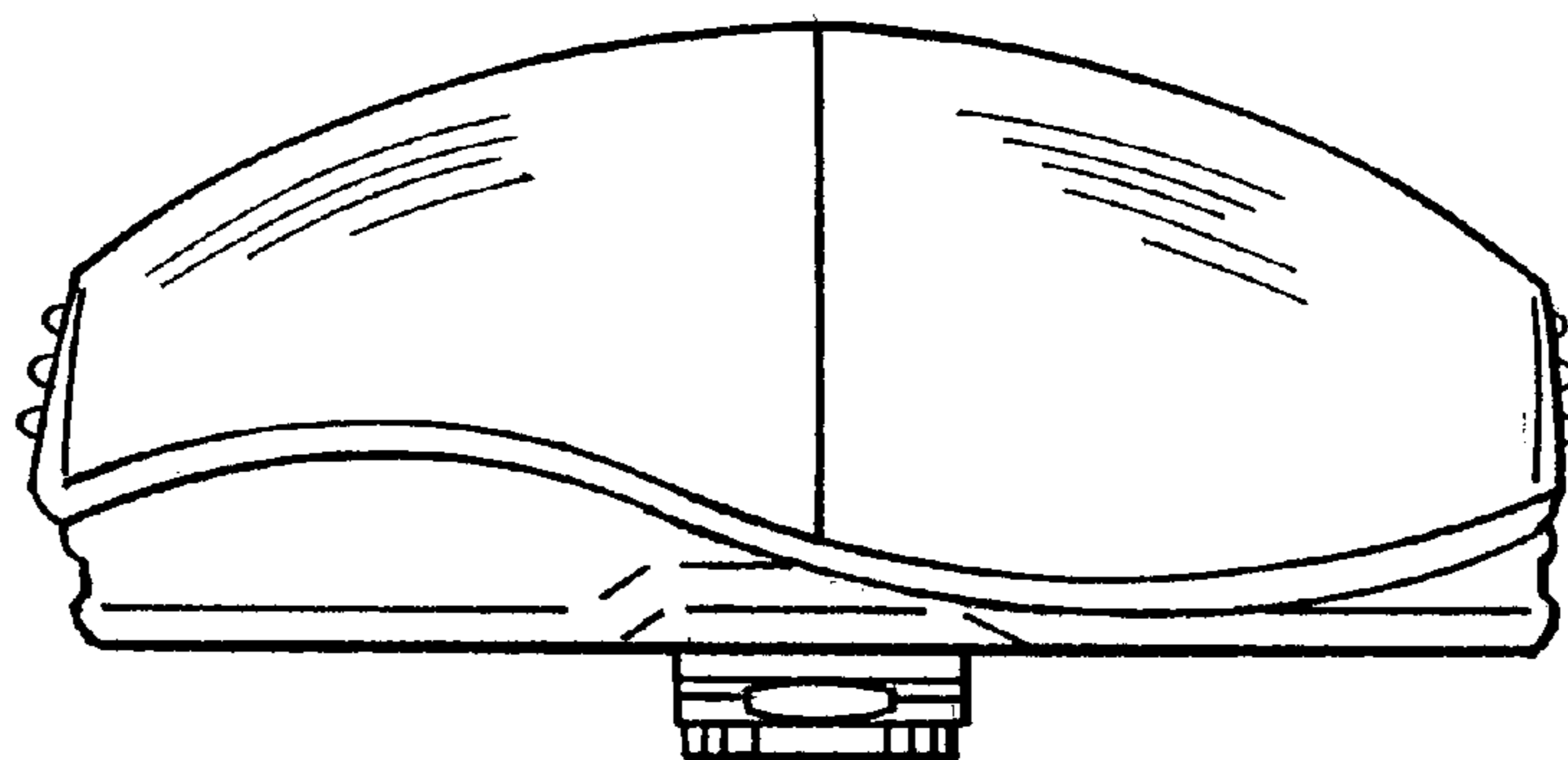


FIG. 3

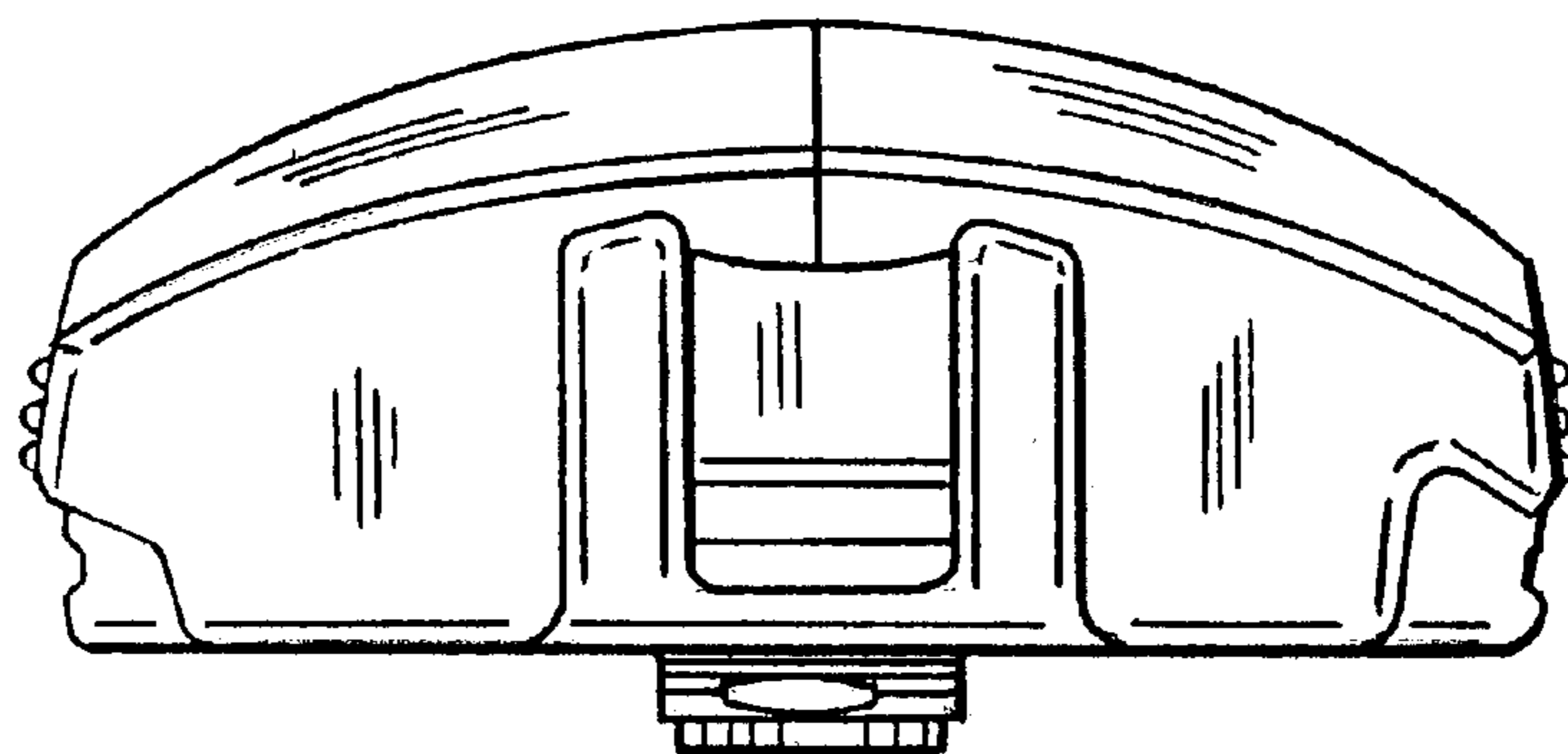


FIG. 4

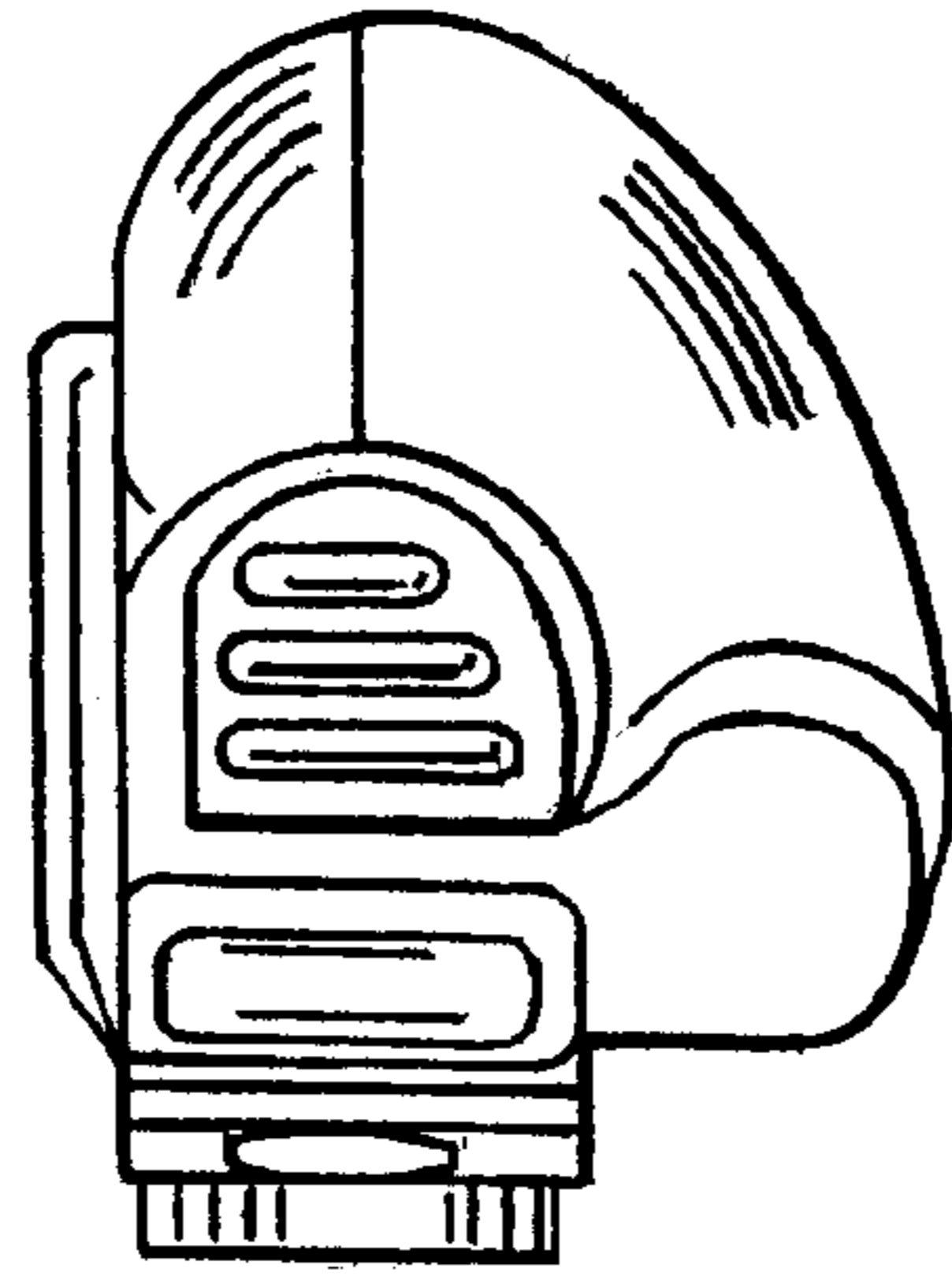


FIG. 5

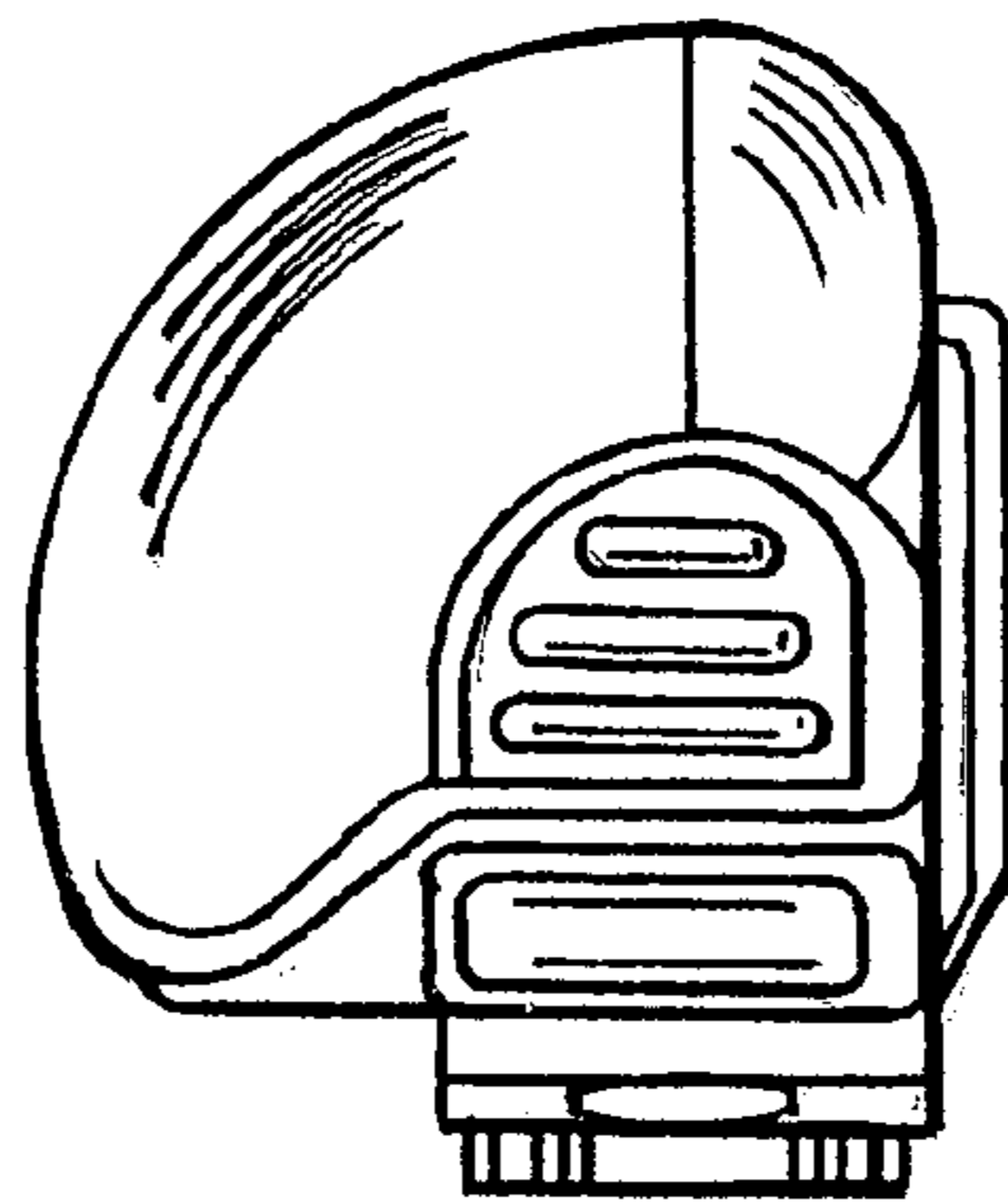


FIG. 6

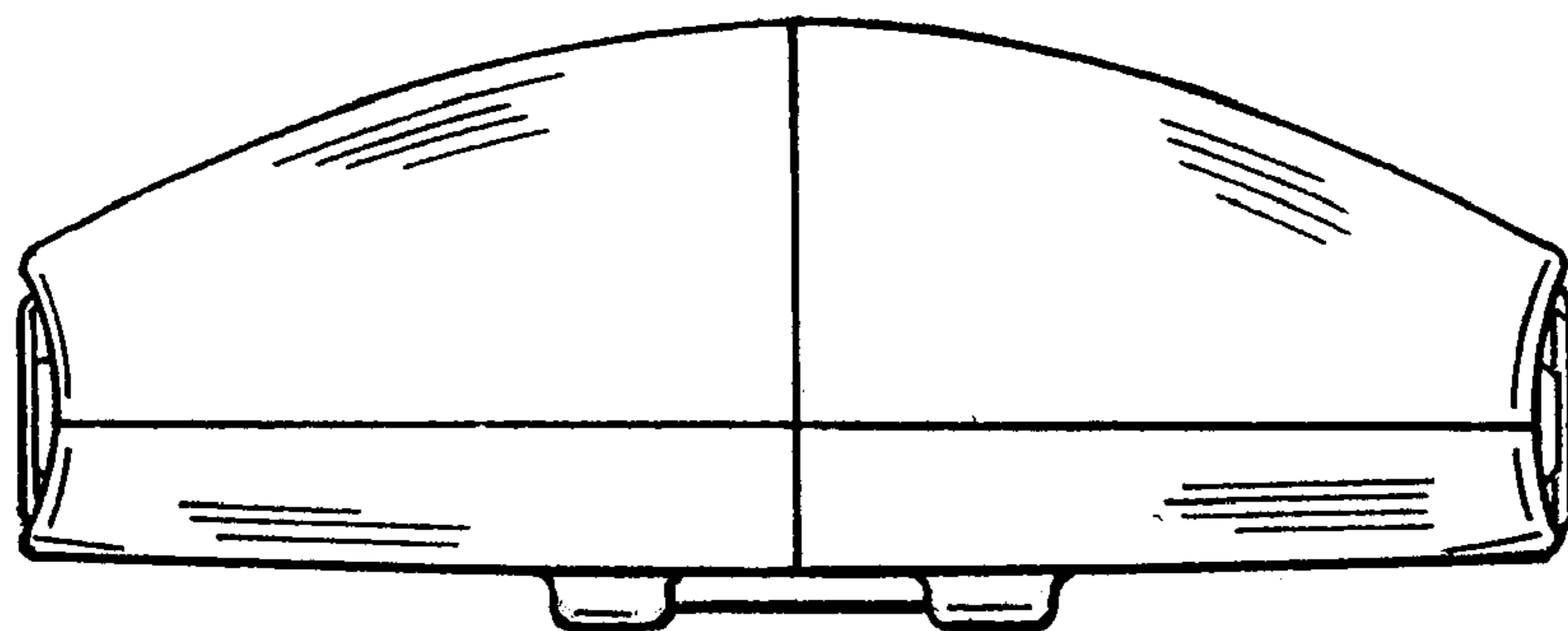


FIG. 7

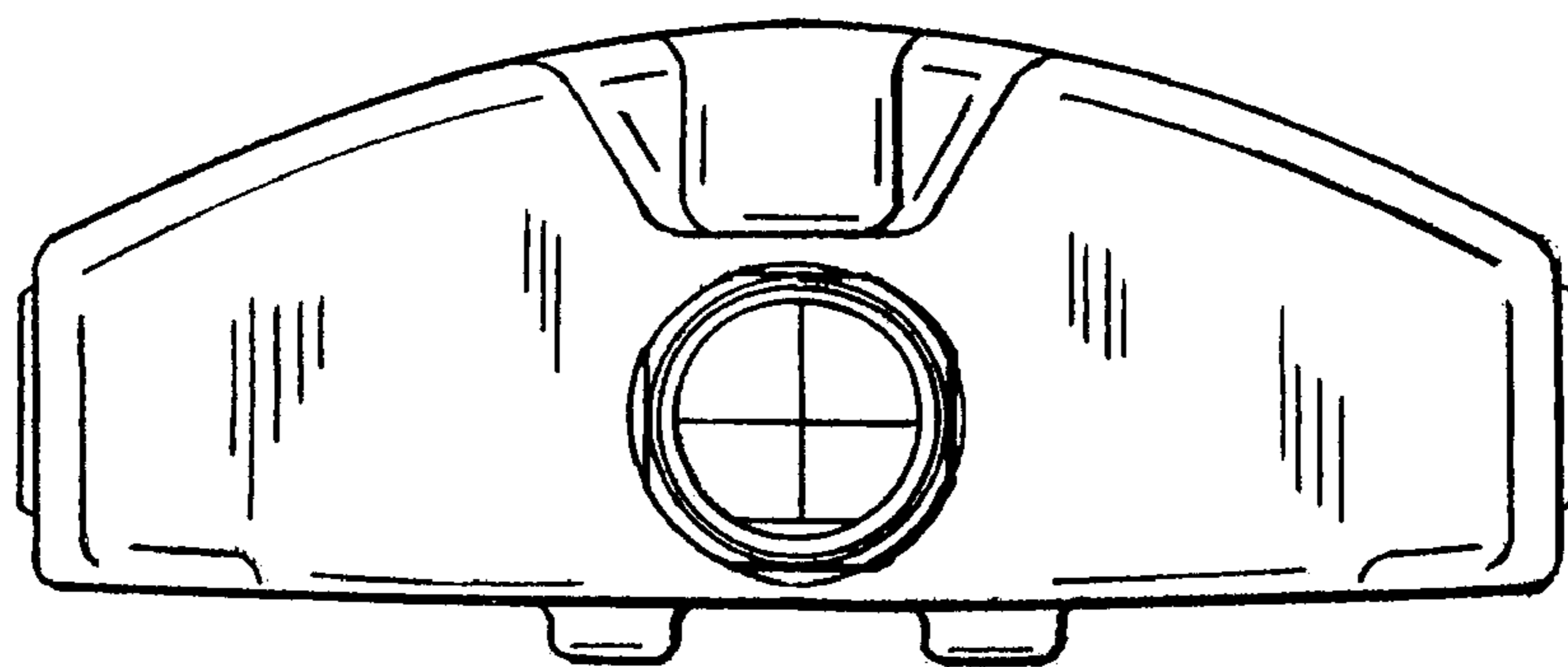


FIG. 8