



US00D533450S

(12) **United States Design Patent**
Edwards et al.

(10) **Patent No.: US D533,450 S**

(45) **Date of Patent: ** Dec. 12, 2006**

(54) **FLOWER PACK**

(75) Inventors: **David Brian Edwards**, Stevenage
(GB); **Michael Edward Parkes**,
Newmarket (GB)

(73) Assignee: **Aquasol Limited**, Chelmsford (GB)

(**) Term: **14 Years**

(21) Appl. No.: **29/240,977**

(22) Filed: **Oct. 21, 2005**

(51) **LOC (8) Cl.** **09-03**

(52) **U.S. Cl.** **D9/431; D9/433**

(58) **Field of Classification Search** D9/414,
D9/420, 422, 430-433; 229/110, 149, 153,
229/70, 106, 111, 112; 206/459.1, 45.29,
206/807, 831

See application file for complete search history.

(56) **References Cited**

U.S. PATENT DOCUMENTS

D39,142	S	*	2/1908	Marcuse	D9/414
2,789,751	A	*	4/1957	Feldman	229/101.2
D232,214	S	*	7/1974	Biderman	D34/7
4,042,110	A	*	8/1977	Guernsey	206/459.1
4,484,683	A	*	11/1984	Werner, Jr.	229/101.2
5,230,463	A	*	7/1993	Brauner	229/138
D439,513	S	*	3/2001	Teasdale et al.	D9/415
6,213,387	B1	*	4/2001	Zinke	229/116.1

D488,062 S * 4/2004 Shannon D9/418
2003/0111521 A1 * 6/2003 Holmes 229/117

* cited by examiner

Primary Examiner—Stella Reid
Assistant Examiner—Mark Goodwin

(74) *Attorney, Agent, or Firm*—William H. Holt

(57) **CLAIM**

The ornamental design for a flower pack, as shown and described.

DESCRIPTION

FIG. 1 is a plan view of a flower pack showing our new design as a blank in unfolded condition with the broken lines representing fold lines;

FIG. 2 is a perspective view thereof in partially assembled condition;

FIG. 3 is a perspective view thereof in further assembled condition;

FIG. 4 is a perspective view thereof in fully assembled condition;

FIG. 5 is a front view thereof;

FIG. 6 is a rear view thereof;

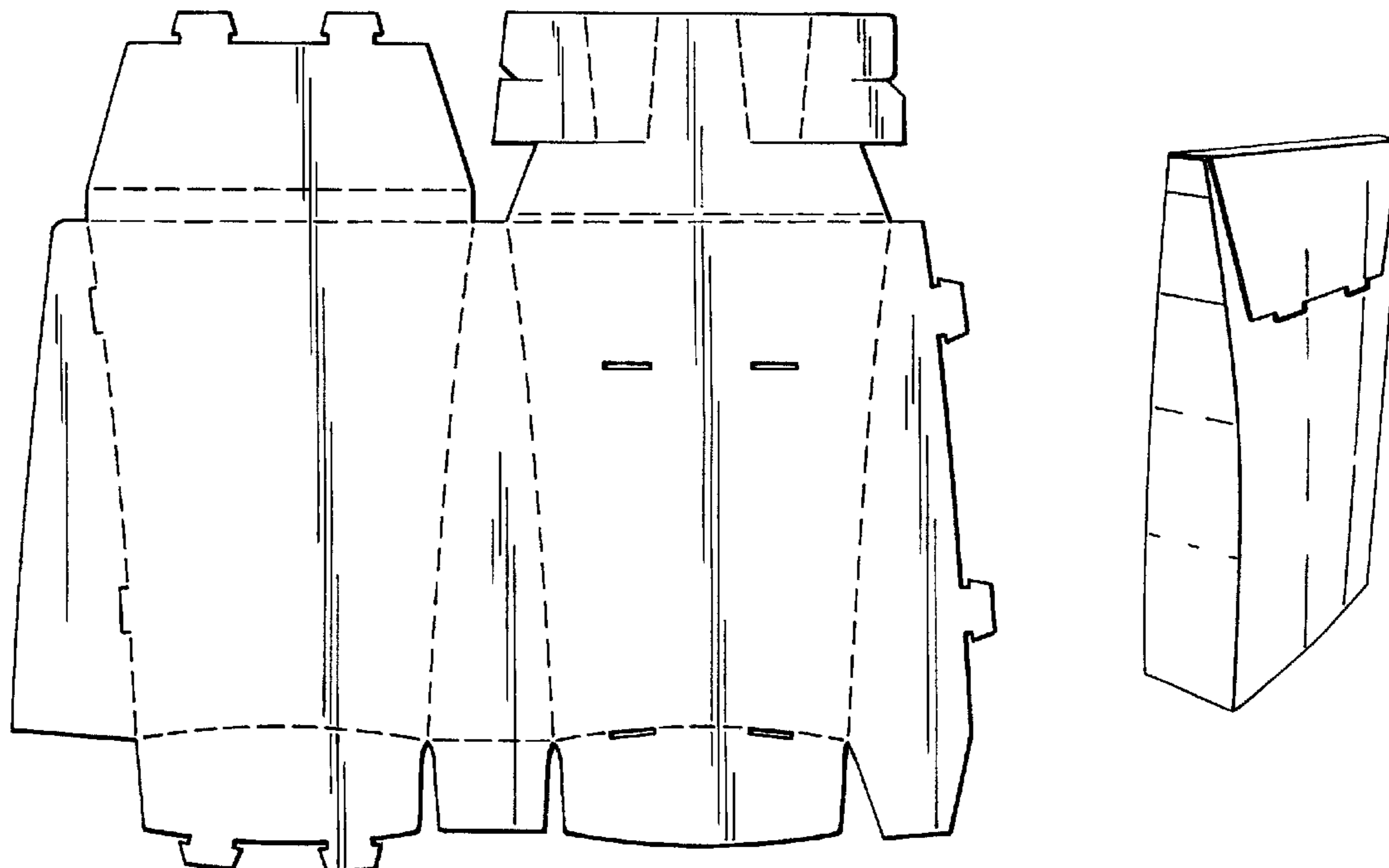
FIG. 7 is a top plan view thereof;

FIG. 8 is a bottom view thereof;

FIG. 9 is a side view thereof; and,

FIG. 10 is an opposite side view thereof.

1 Claim, 4 Drawing Sheets



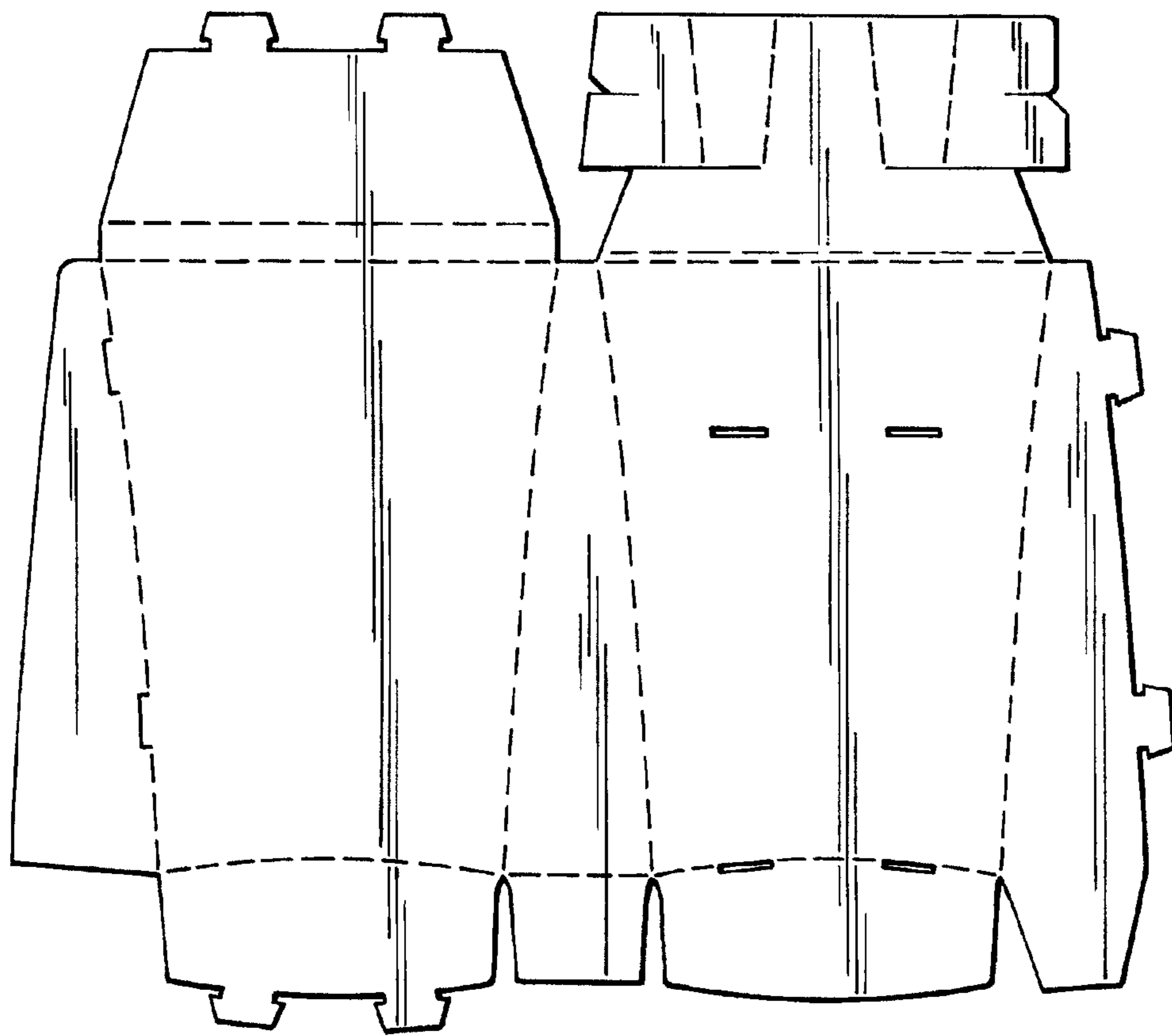


Fig.1.

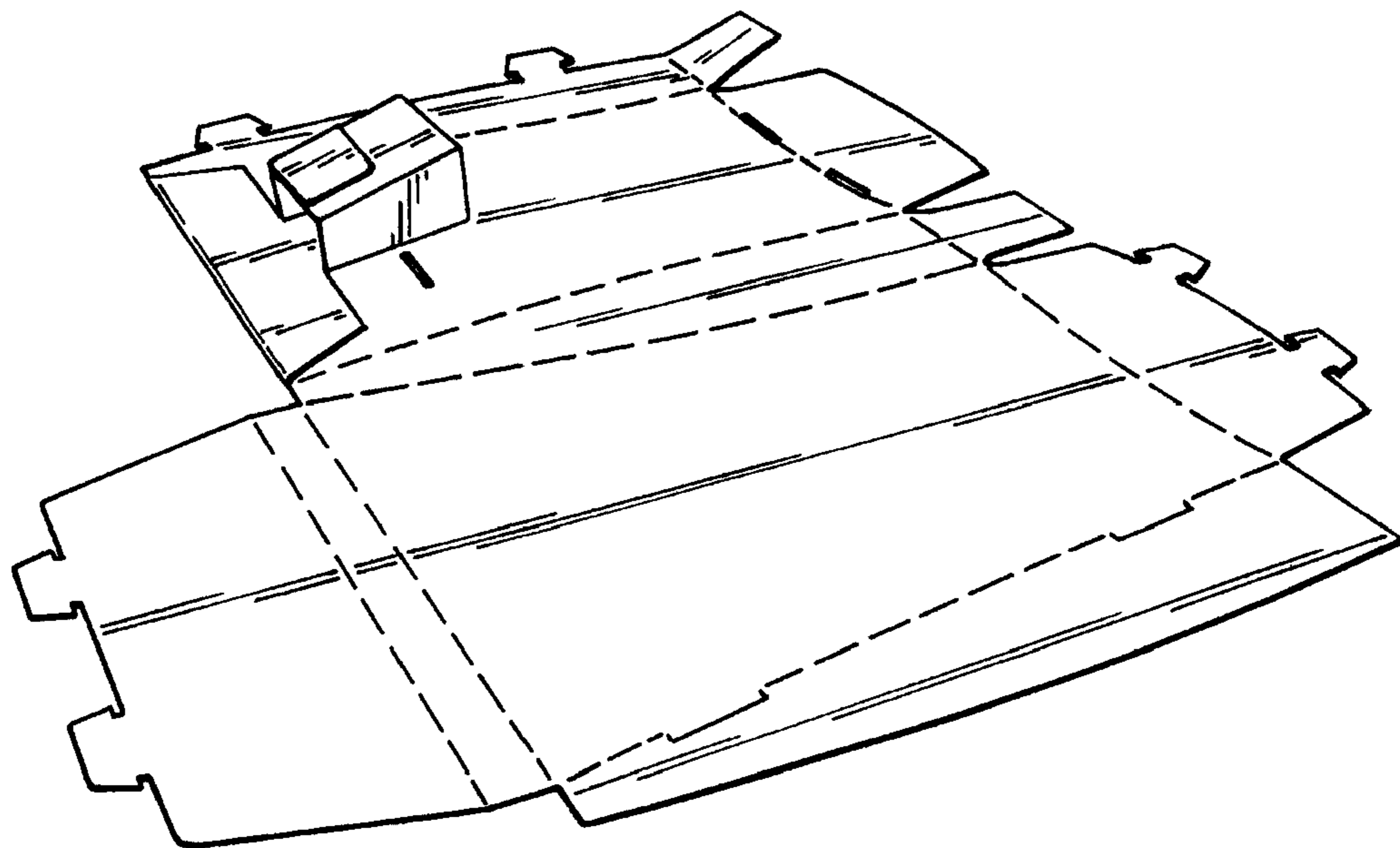


Fig.2.

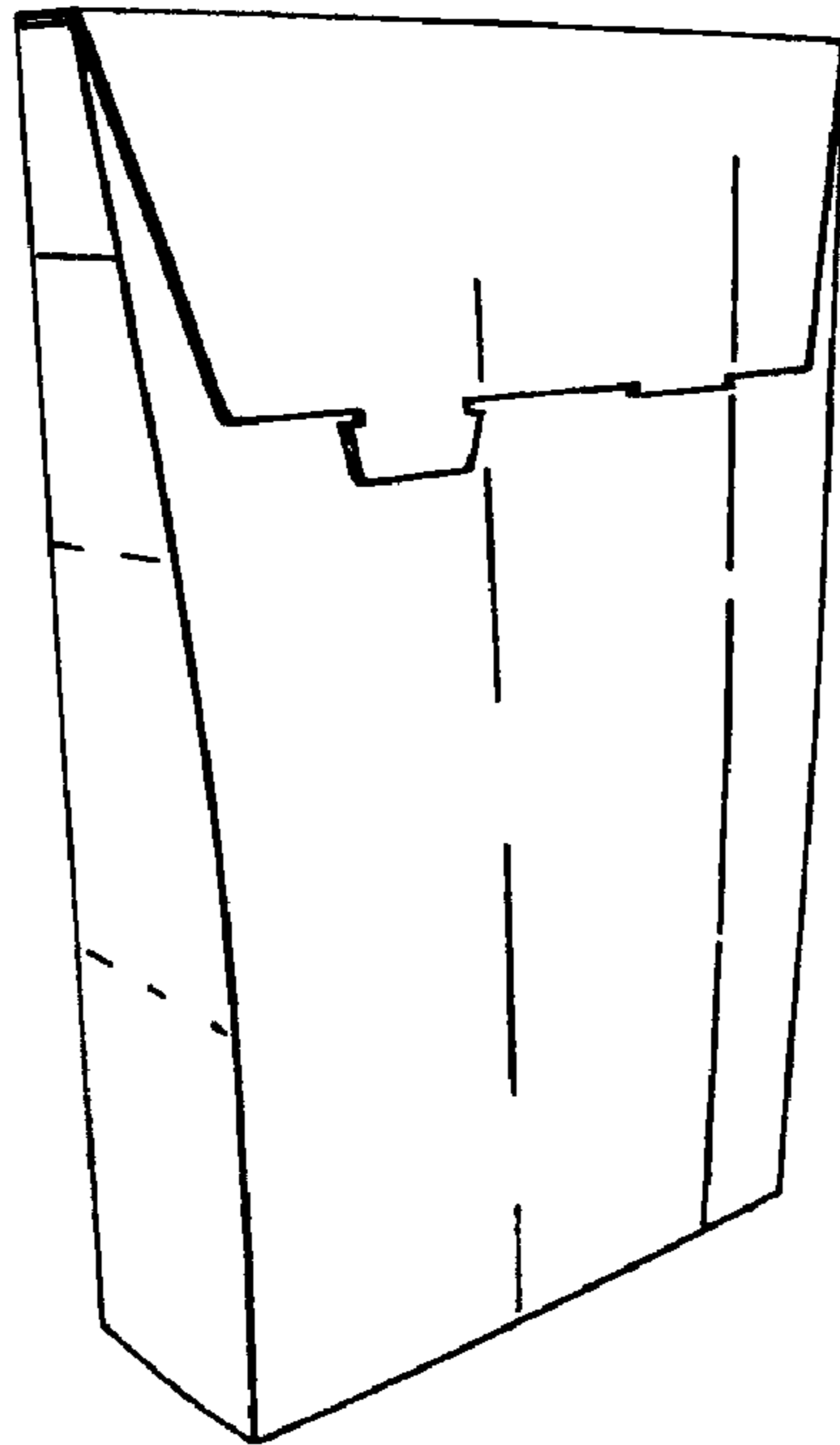


Fig.3.

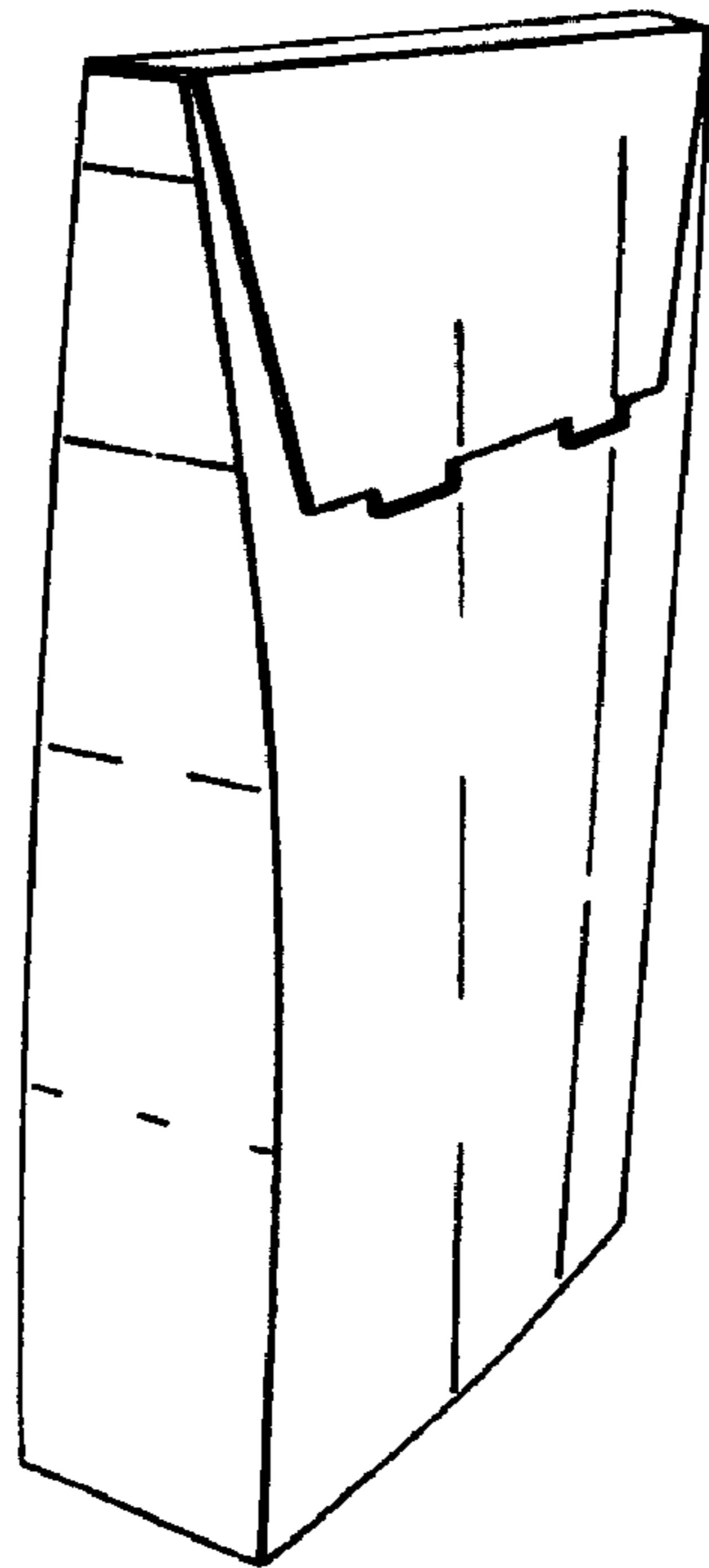


Fig.4.

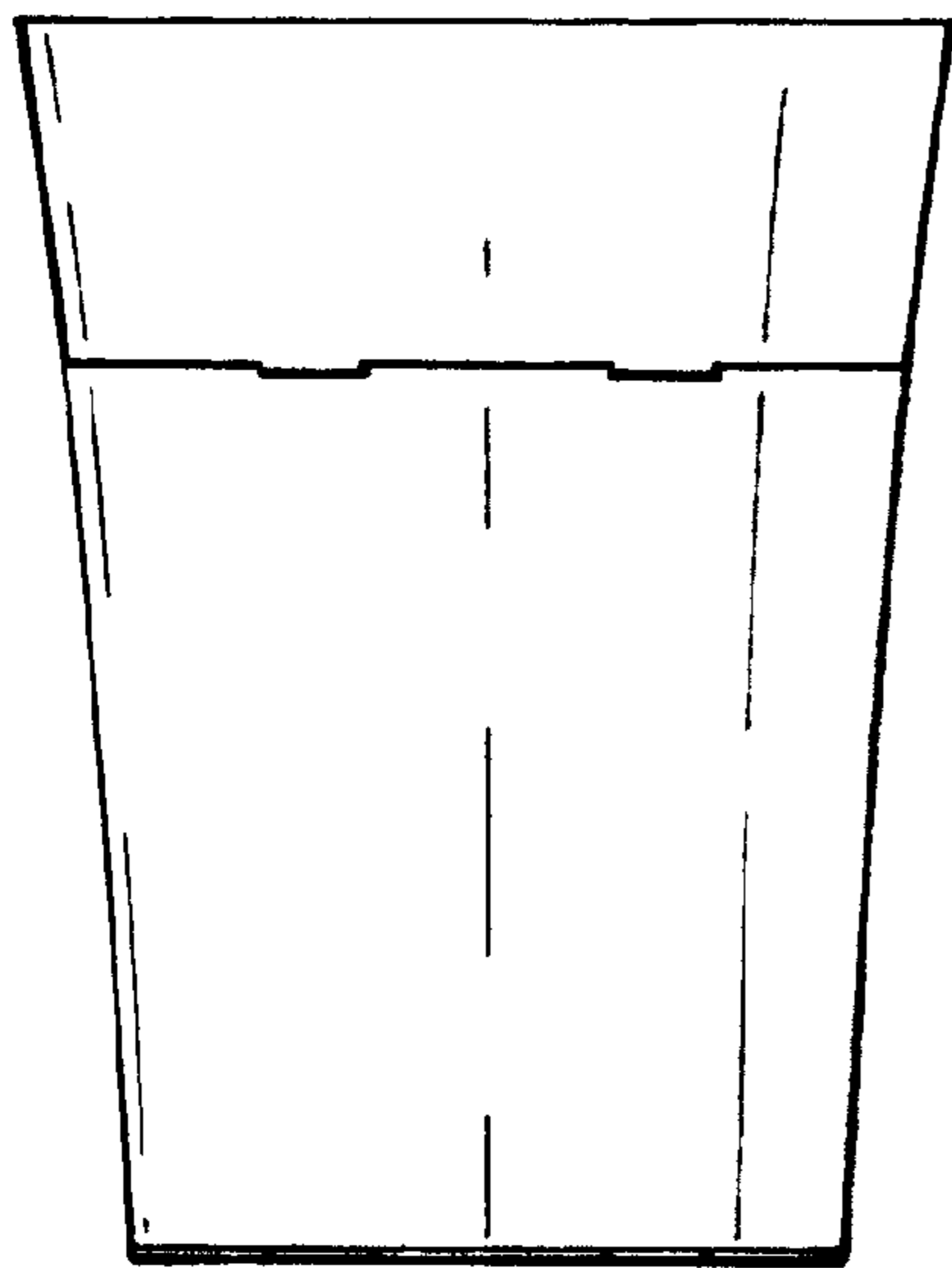


Fig. 5.

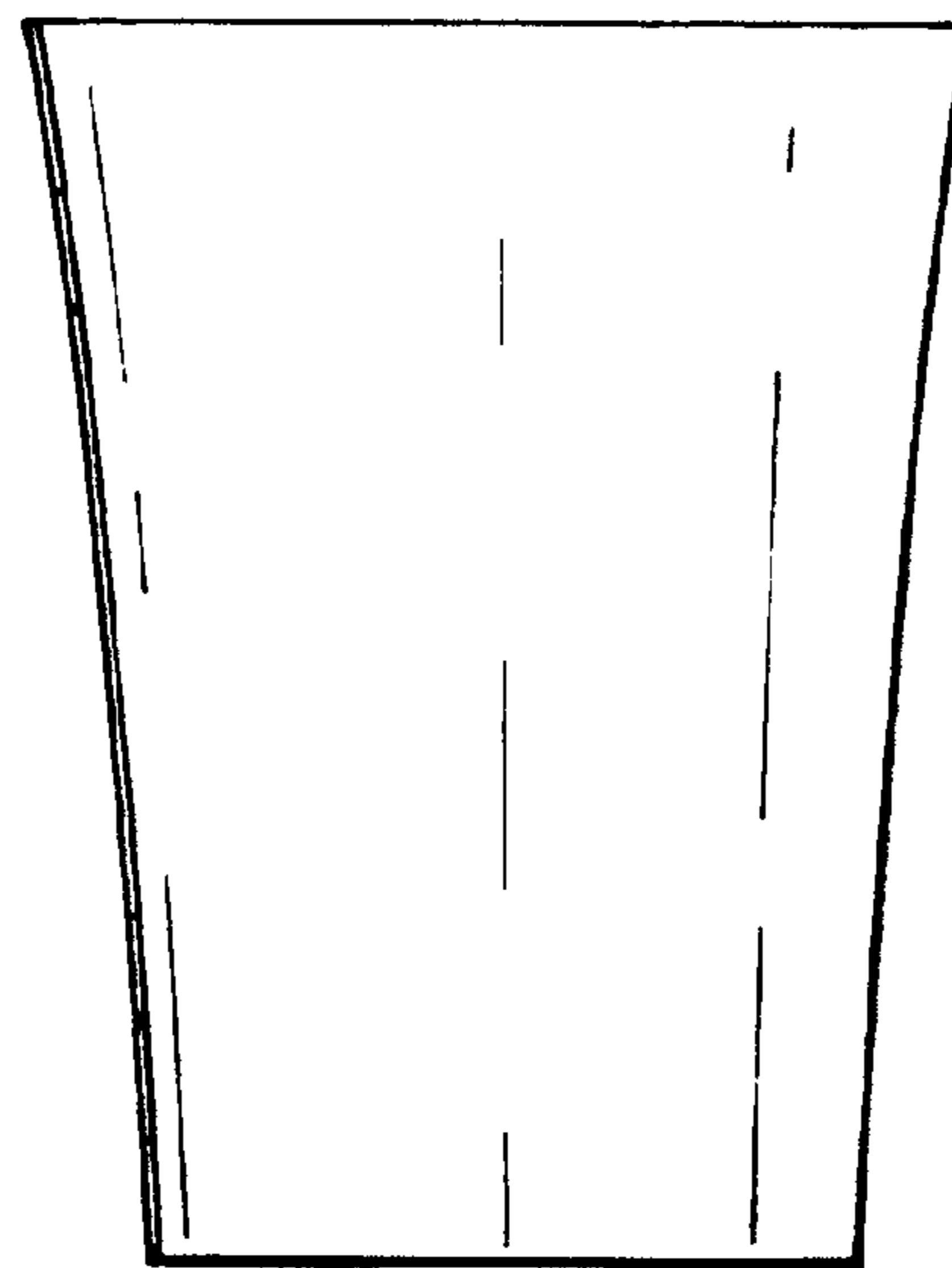


Fig. 6.



Fig. 7.



Fig. 8.

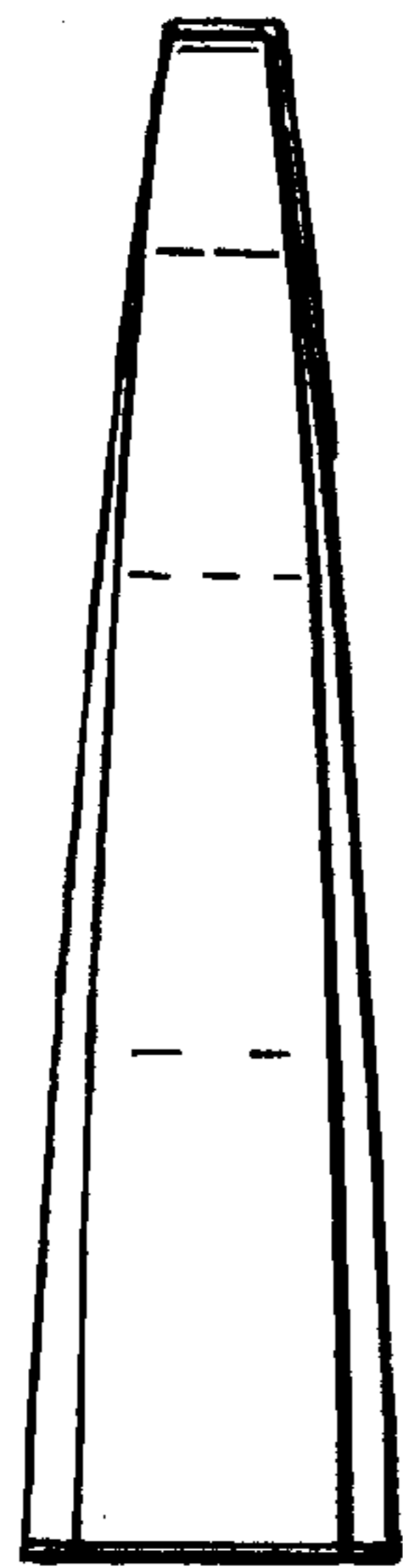


Fig. 9.

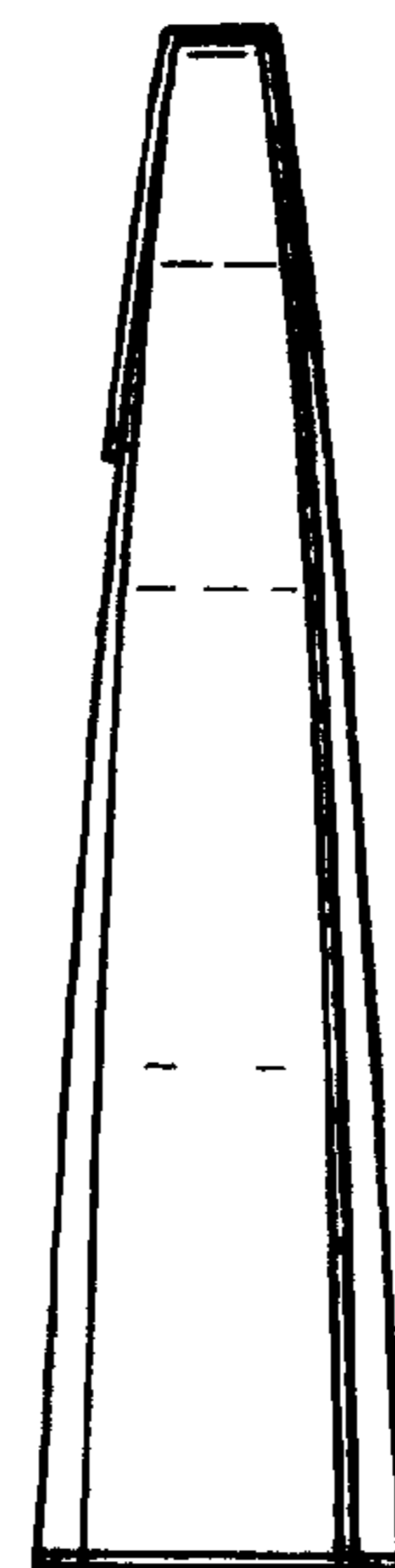


Fig. 10.

UNITED STATES PATENT AND TRADEMARK OFFICE
CERTIFICATE OF CORRECTION

PATENT NO. : Des. 533,450 S
APPLICATION NO. : 29/240977
DATED : December 12, 2006
INVENTOR(S) : David Brian Edwards and Michael Edwards Parkes

Page 1 of 1

It is certified that error appears in the above-identified patent and that said Letters Patent is hereby corrected as shown below:

On Title Page

On page 1, column 1, the following is added:

Item (30) Foreign Application Priority Data
Apr. 21. 2005 (OHIM) 000331657

Signed and Sealed this

Twenty-seventh Day of February, 2007

A handwritten signature in black ink on a dotted background. The signature reads "Jon W. Dudas" in a cursive style.

JON W. DUDAS

Director of the United States Patent and Trademark Office