



US00D533447S

(12) **United States Design Patent** (10) **Patent No.:** **US D533,447 S**  
**Irie** (45) **Date of Patent:** **\*\* Dec. 12, 2006**

(54) **DOOR STAY**

JP 2002-38809 2/2002

(75) Inventor: **Takayuki Irie**, Tokyo (JP)

\* cited by examiner

(73) Assignee: **Sugatsune Kogyo Co., Ltd.**, Tokyo (JP)

*Primary Examiner*—Brian N Vinson

(74) *Attorney, Agent, or Firm*—Osha Liang LLP

(\*\*) Term: **14 Years**

(57) **CLAIM**

The ornamental design for a door stay, as shown and described.

(21) Appl. No.: **29/210,873**

(22) Filed: **Aug. 5, 2004**

**DESCRIPTION**

(30) **Foreign Application Priority Data**

Feb. 6, 2004 (JP) ..... 2004-003061

FIG. 1 shows a front view of the design for a door stay according to the invention.

(51) **LOC (8) Cl.** ..... **08-08**

FIG. 2 shows a rear view of the design for a door stay according to the invention.

(52) **U.S. Cl.** ..... **D8/402**

FIG. 3 shows a right side view of the design for a door stay according to the invention.

(58) **Field of Classification Search** ..... D8/400,  
D8/402, 499; 16/339, 342, 345

FIG. 4 shows a left side view of the design for a door stay according to the invention.

See application file for complete search history.

FIG. 5 shows a top plan view of the design for a door stay according to the invention.

(56) **References Cited**

FIG. 6 shows a bottom plan view of the design for a door stay according to the invention.

**U.S. PATENT DOCUMENTS**

FIG. 7 shows an enlarged sectional view taken along the line 7—7, as shown in FIG. 1, of the design for a door stay according to the invention.

3,797,169 A \* 3/1974 Armstrong ..... 16/342

3,903,949 A \* 9/1975 Aris ..... 16/342

3,939,529 A \* 2/1976 Davis ..... 16/342

4,555,829 A \* 12/1985 Davis ..... 16/342

4,571,776 A \* 2/1986 Taylor ..... 16/339

4,833,754 A \* 5/1989 Yang ..... 16/339

D376,098 S \* 12/1996 Bucher ..... D8/400

D459,208 S \* 6/2002 Figliola ..... D8/402

FIG. 8 shows an enlarged sectional view taken along the line 8—8, as shown in FIG. 1, of the design for a door stay according to the invention.

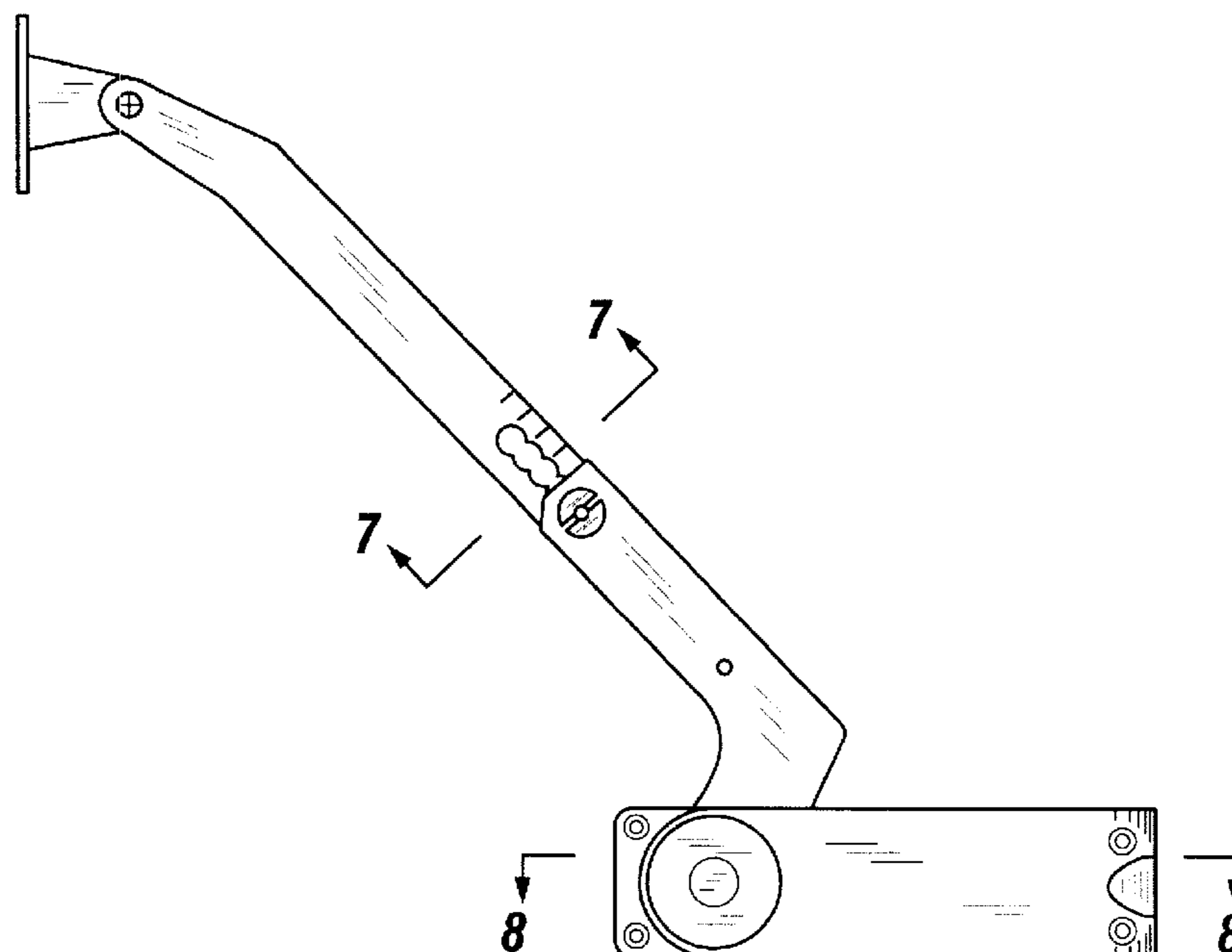
**FOREIGN PATENT DOCUMENTS**

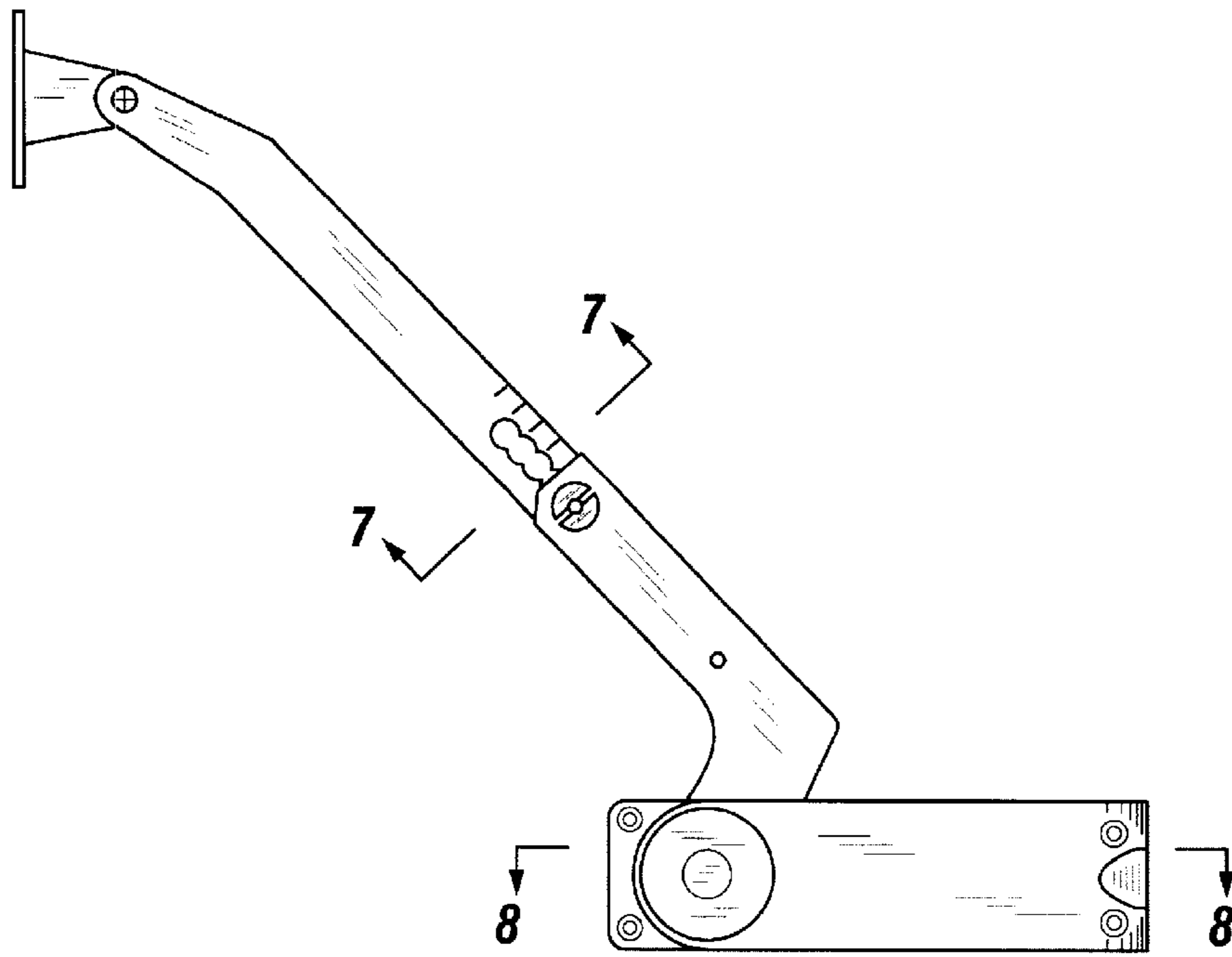
FIG. 9 shows a front view of the design for a door stay in a state of rotation according to the invention; and,

JP 1045652 8/1999

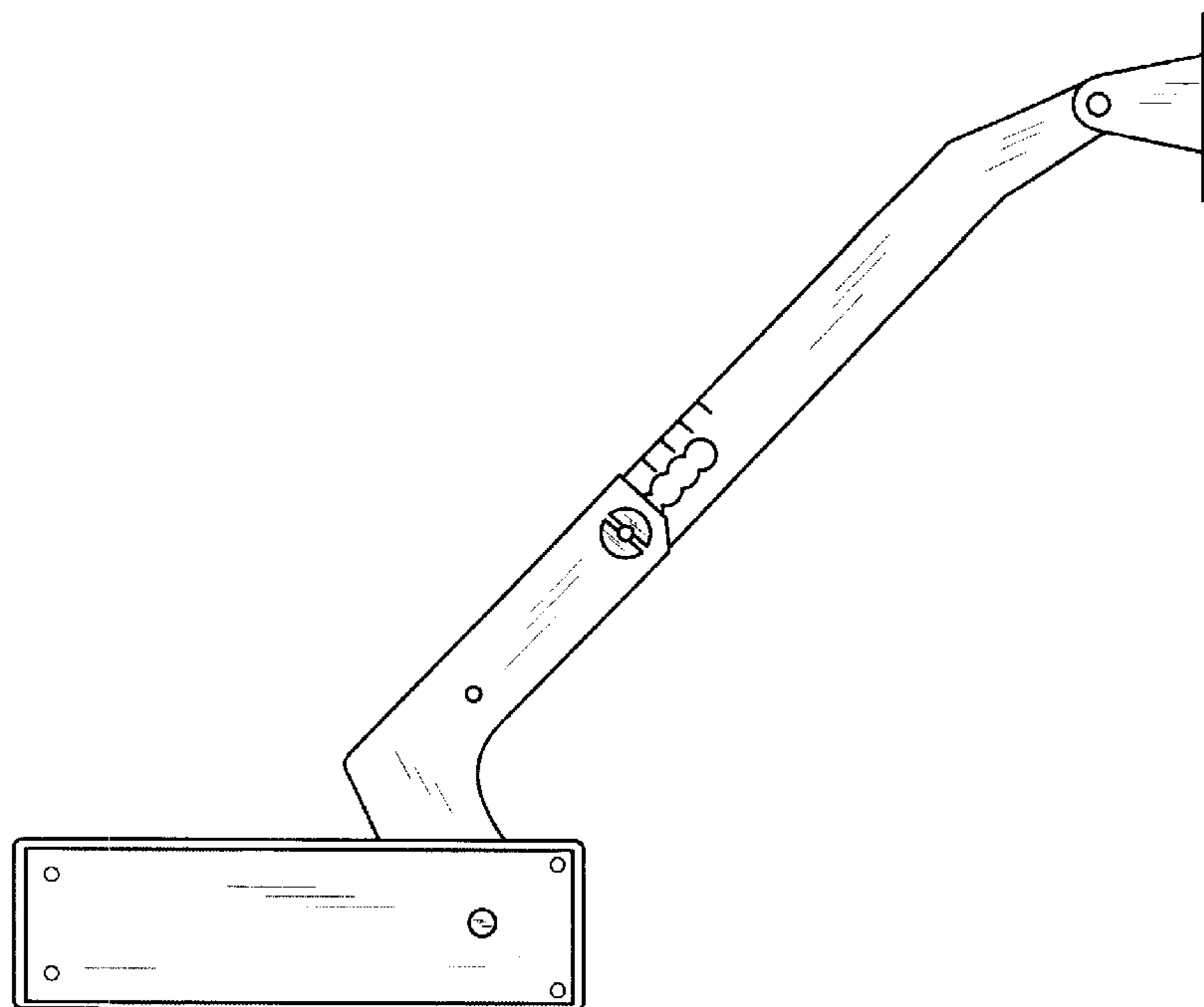
FIG. 10 shows a perspective view of the design for a door stay according to the invention.

**1 Claim, 4 Drawing Sheets**

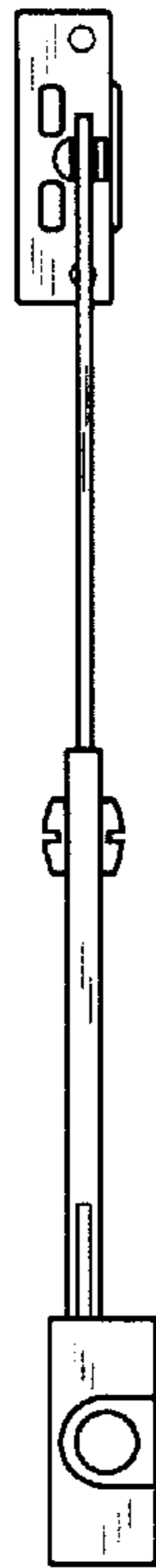




**FIG. 1**



**FIG. 2**



**FIG. 3**



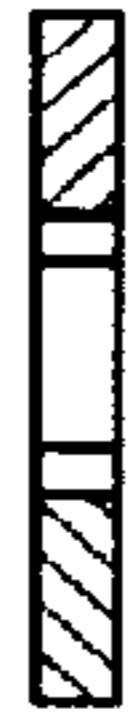
**FIG. 4**



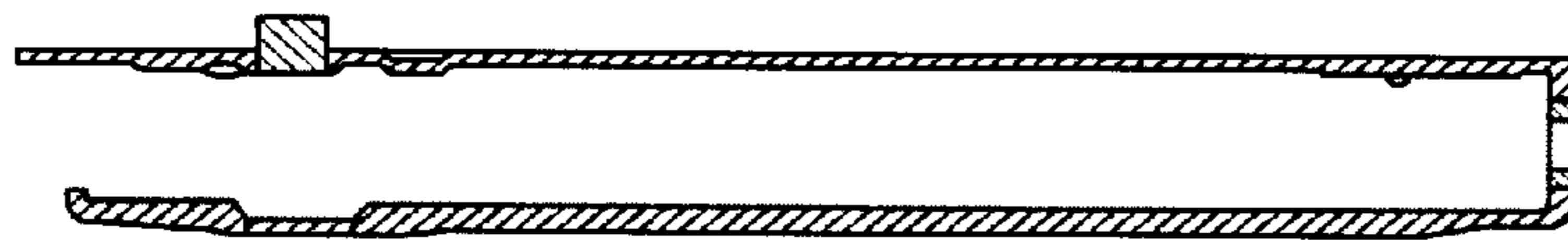
**FIG. 5**



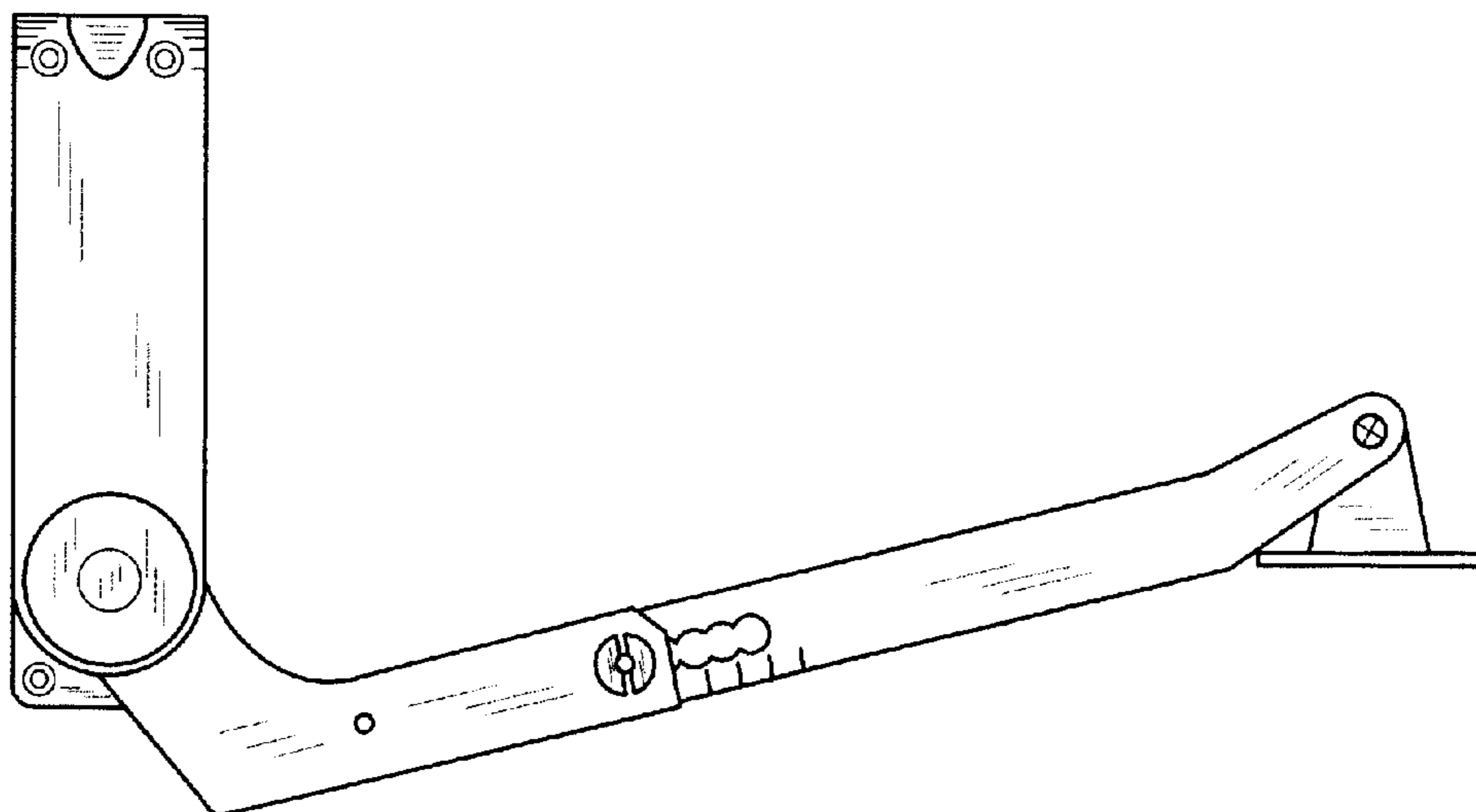
**FIG. 6**



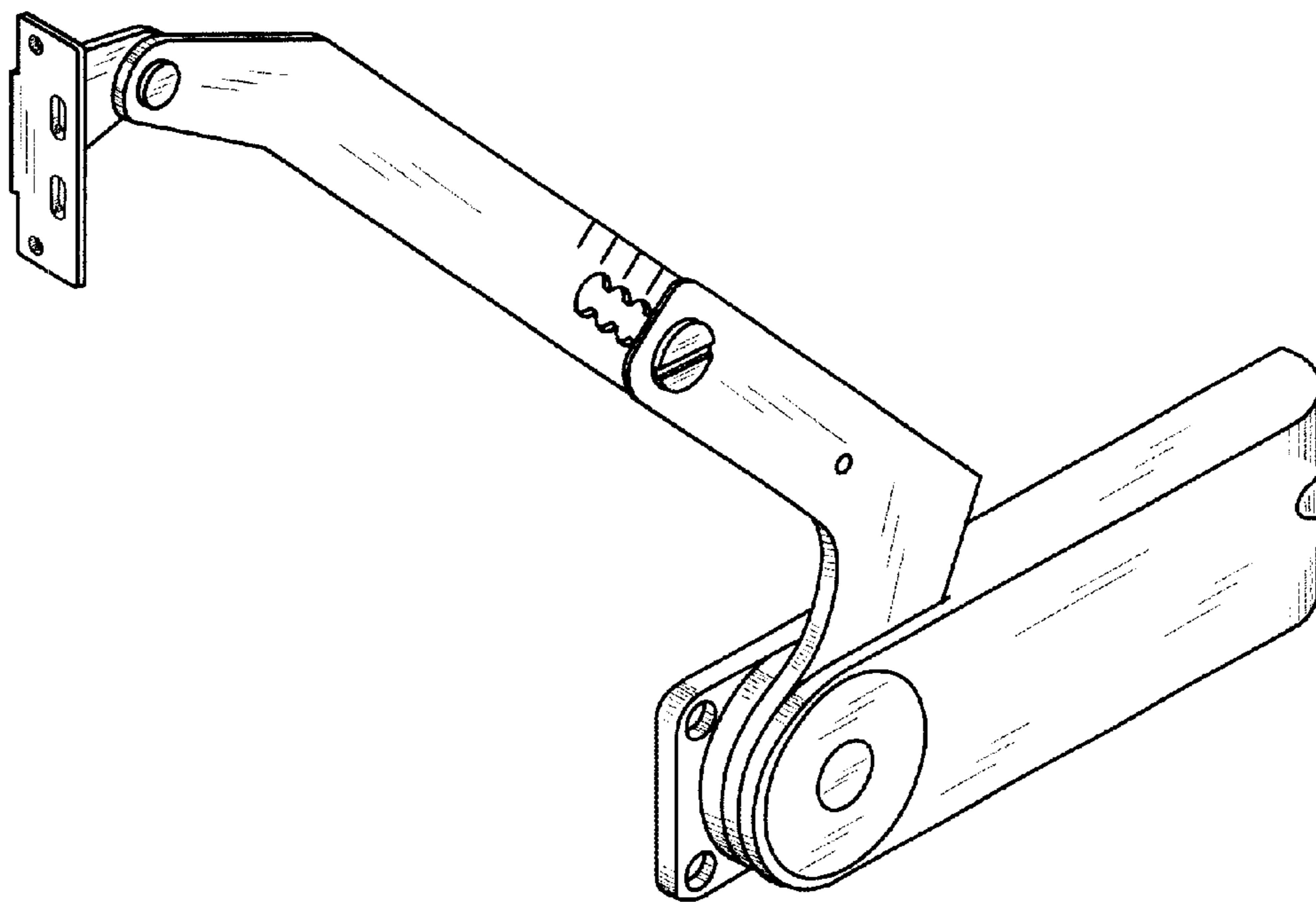
**FIG. 7**



**FIG. 8**



**FIG. 9**



**FIG. 10**