



US00D533446S

(12) **United States Design Patent** (10) **Patent No.:** **US D533,446 S**
Vetter (45) **Date of Patent:** **** Dec. 12, 2006**

(54) **FOLDING HANDLE WITH NESTING COVER**

(75) Inventor: **Gregory J. Vetter**, Owatonna, MN (US)

(73) Assignee: **Truth Hardware Corporation**, Owatonna, MN (US)

(**) Term: **14 Years**

(21) Appl. No.: **29/253,160**

(22) Filed: **Feb. 1, 2006**

(51) **LOC (8) Cl.** **08-09**

(52) **U.S. Cl.** **D8/400**

(58) **Field of Classification Search** D8/400;
49/460, 341, 342; 74/545, 547; 252/356,
252/357, 336.3, 210, 347, DIG. 31, DIG. 20
See application file for complete search history.

(56) **References Cited**

U.S. PATENT DOCUMENTS

1,274,471 A	8/1918	Todd	
2,355,932 A	8/1944	Walton	
3,007,348 A	11/1961	Barnes	
3,044,478 A	7/1962	Russell	
D217,718 S	6/1970	Magers et al.	
4,392,330 A	7/1983	Buhr	
5,006,766 A	4/1991	Yuhás et al.	
D331,531 S	12/1992	Guhl et al.	
D347,569 S	6/1994	Vetter et al.	
D350,666 S	9/1994	Wobschall et al.	
5,400,473 A	3/1995	Delman	
D360,357 S	7/1995	Peterson et al.	
D361,490 S	8/1995	Vetter	
5,467,503 A	11/1995	Nolte et al.	
D365,513 S	12/1995	Vetter et al.	
D369,741 S	5/1996	Harrison et al.	
5,531,138 A	7/1996	Vetter	
5,551,316 A	9/1996	Blank	
D375,042 S	10/1996	Anderson et al.	
5,560,082 A	* 10/1996	Vetter 74/545	
D375,254 S	11/1996	Anderson et al.	
D375,445 S	* 11/1996	Harrison et al. D8/309	
D375,674 S	11/1996	Anderson et al.	

D376,099 S	12/1996	Orf et al.	
5,620,213 A	4/1997	Ellis	
D379,917 S	6/1997	Vetter et al.	
D390,454 S	2/1998	Vetter et al.	
D390,777 S	* 2/1998	Peterson et al. D8/400	
5,740,632 A	4/1998	Peterson et al.	
5,765,308 A	6/1998	Anderson et al.	
5,813,171 A	9/1998	Piltingsrud	
D408,274 S	4/1999	Vetter et al.	
D408,729 S	4/1999	Virkler et al.	
5,937,582 A	8/1999	Taylor	
D418,050 S	12/1999	Lisiecki et al.	

(Continued)

Primary Examiner—Brian N Vinson
(74) *Attorney, Agent, or Firm*—Patterson, Thuente, Skaar & Christensen, P.A.

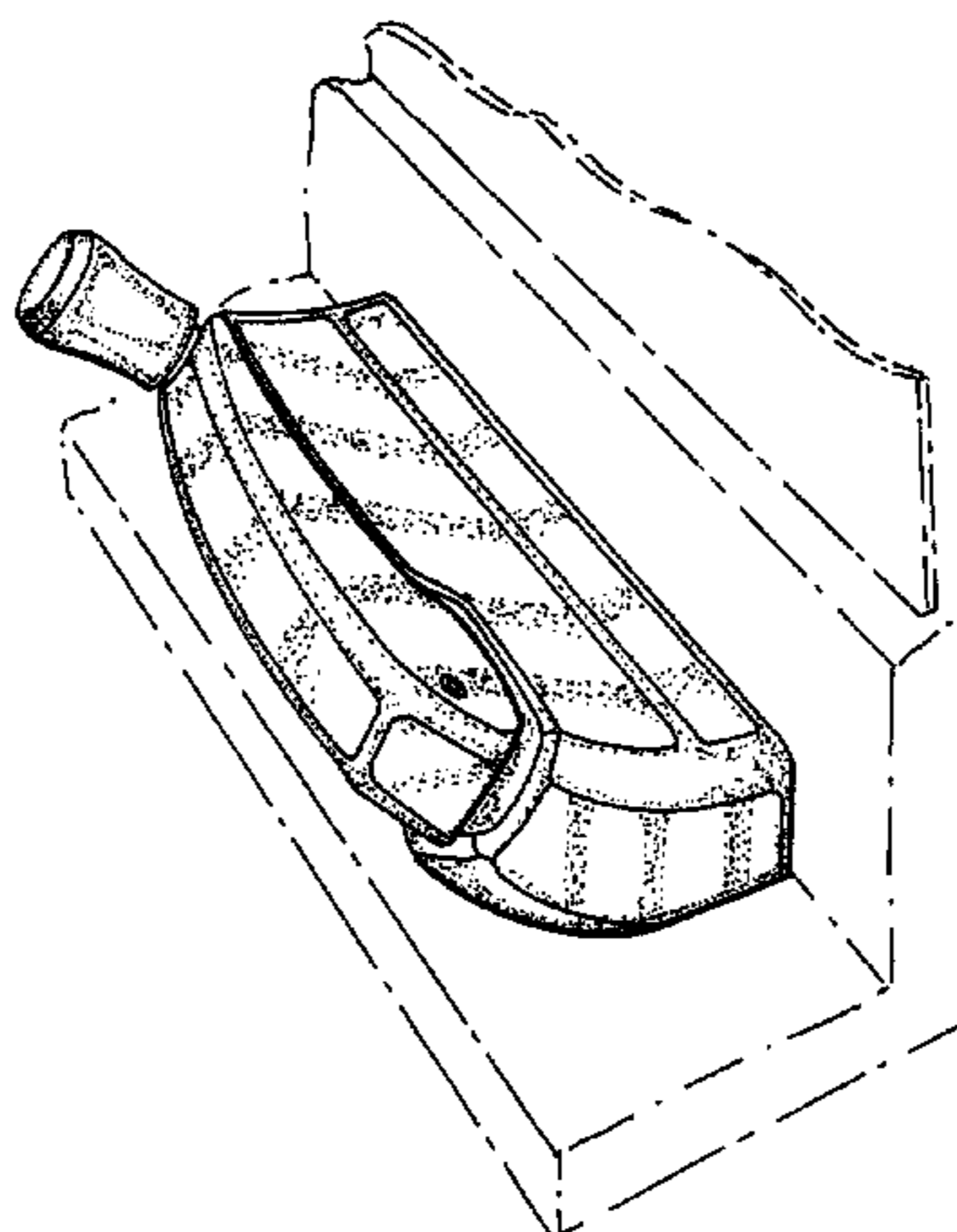
(57) **CLAIM**

I claim the ornamental design for folding handle with nesting cover, as shown.

DESCRIPTION

FIG. 1 is a perspective view of a folding handle with nesting cover according to an embodiment of the invention with the folding handle positioned in a first position; FIG. 2 is a perspective view of a folding handle with nesting cover according to an embodiment of the invention with the folding handle positioned in another position; FIG. 3 is a top plan view of a folding handle with nesting cover according to an embodiment of the invention; FIG. 4 is a front elevational view of a folding handle with nesting cover according to an embodiment of the invention; FIG. 5 is a rear elevational view of a folding handle with nesting cover according to an embodiment of the invention; FIG. 6 is a side elevational view of a folding handle with nesting cover according to an embodiment of the invention; and, FIG. 7 is a side elevational view of a folding handle with nesting cover according to an embodiment of the invention. The broken-line disclosure in the views is for illustrative purposes only and forms no part of the claimed design.

1 Claim, 2 Drawing Sheets



US D533,446 S

Page 2

U.S. PATENT DOCUMENTS

D421,209 S	2/2000	Buckland	D459,193 S	6/2002	Vande Steeg et al.	
6,039,363 A	3/2000	Sugimura et al.	D459,982 S *	7/2002	Vande Steeg et al.	D8/400
6,164,156 A	12/2000	Purcell	D476,882 S	7/2003	Gledhill et al.	
6,174,005 B1	1/2001	Norton	6,640,389 B1	11/2003	Van Klompenburg et al.	
6,227,581 B1	5/2001	Lambert	D484,787 S *	1/2004	Huml	D8/400
D450,237 S	11/2001	Vande Steeg et al.	D494,850 S *	8/2004	Braun et al.	D8/400
D451,781 S	12/2001	Vande Steeg et al.	D506,127 S *	6/2005	Vetter et al.	D8/400
D452,999 S	1/2002	Vande Steeg et al.				

* cited by examiner

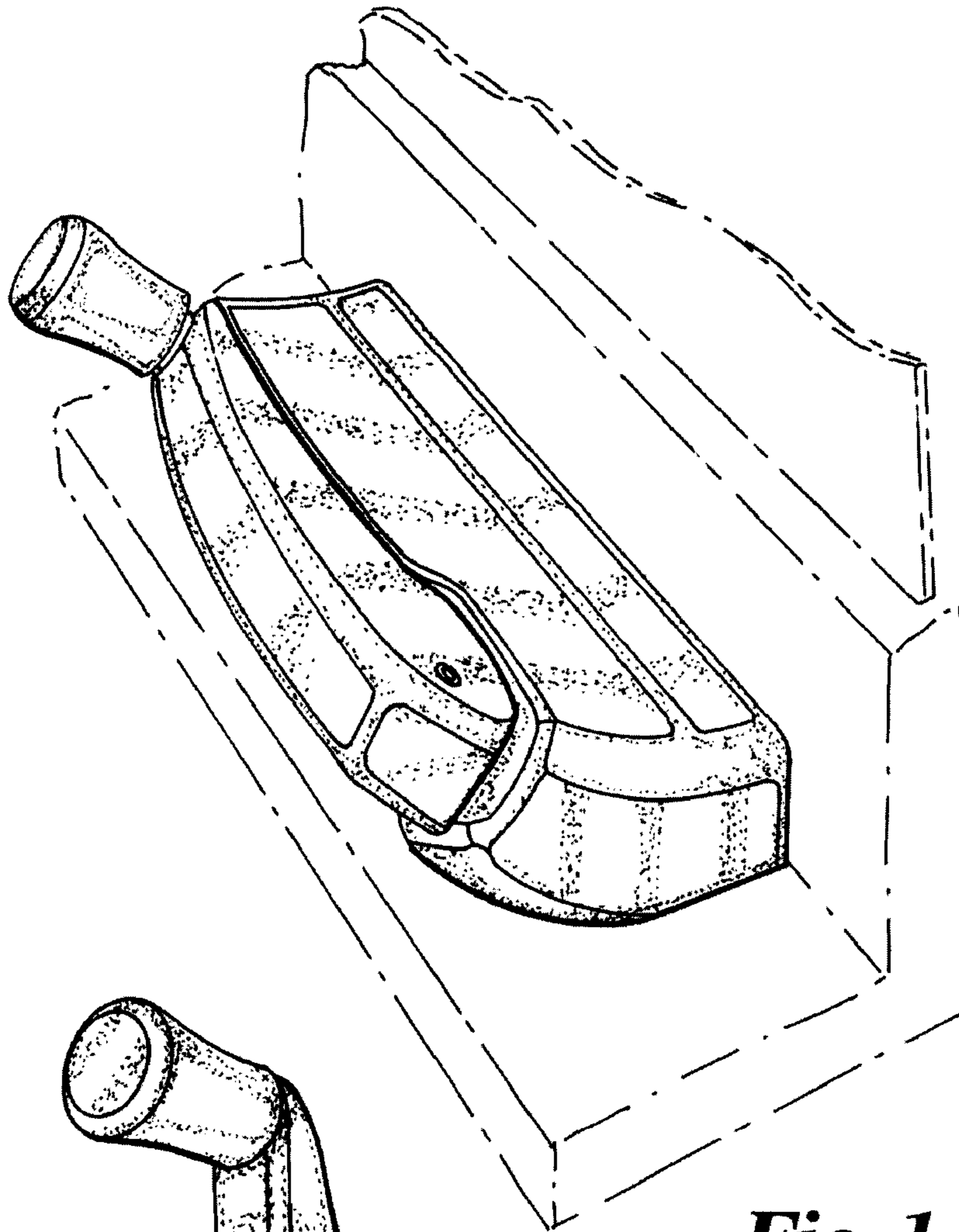


Fig. 1.

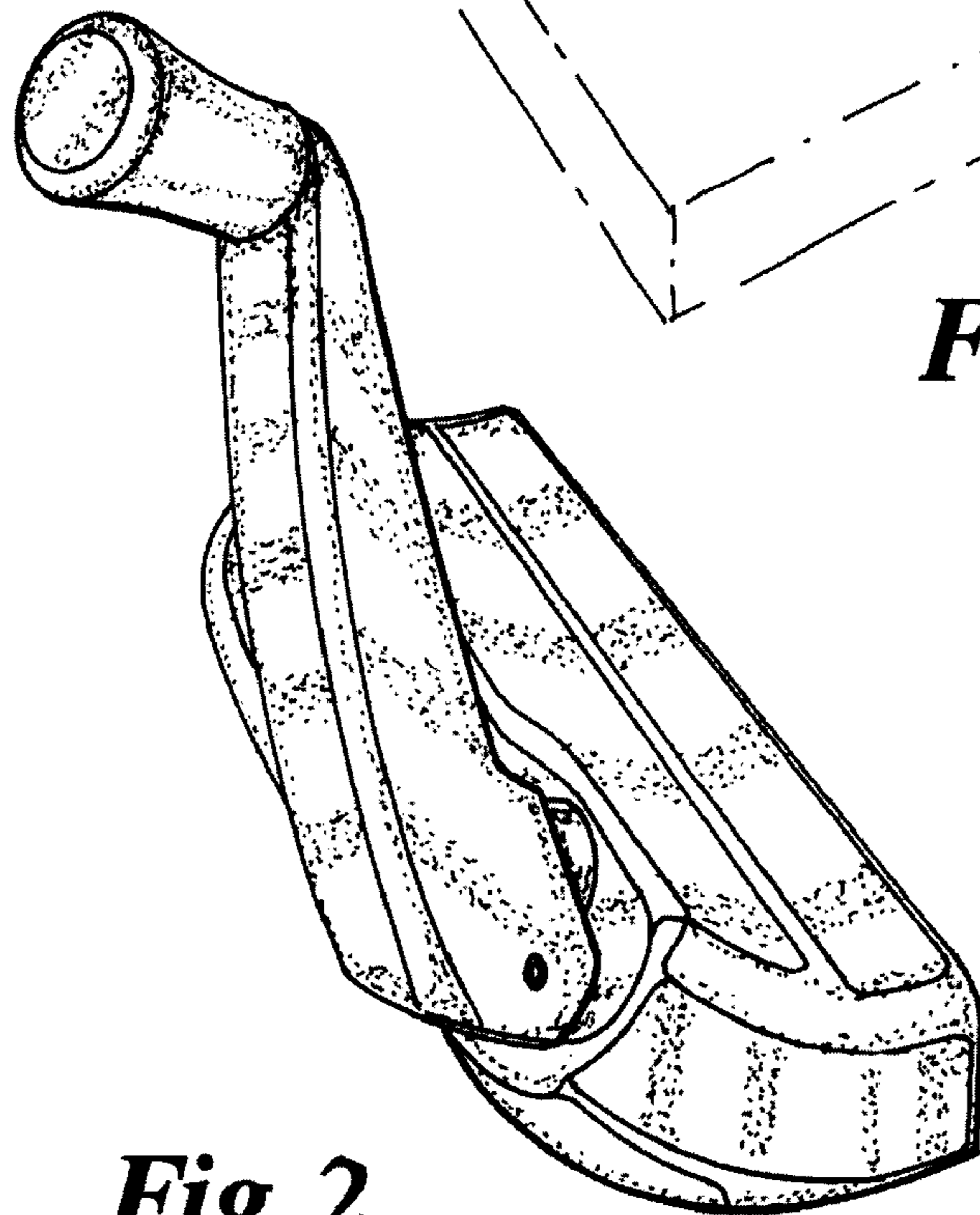


Fig. 2.

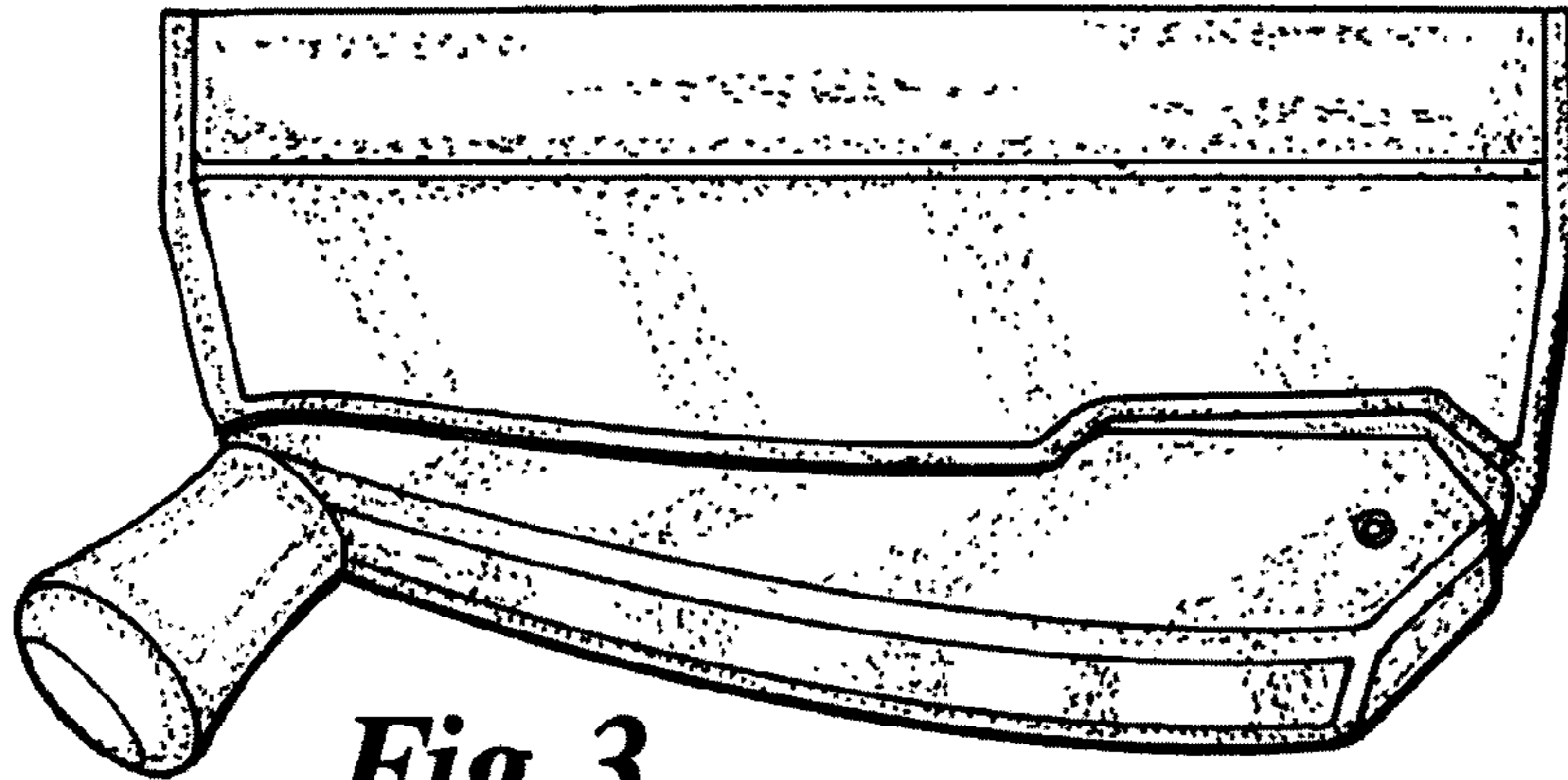


Fig. 3.

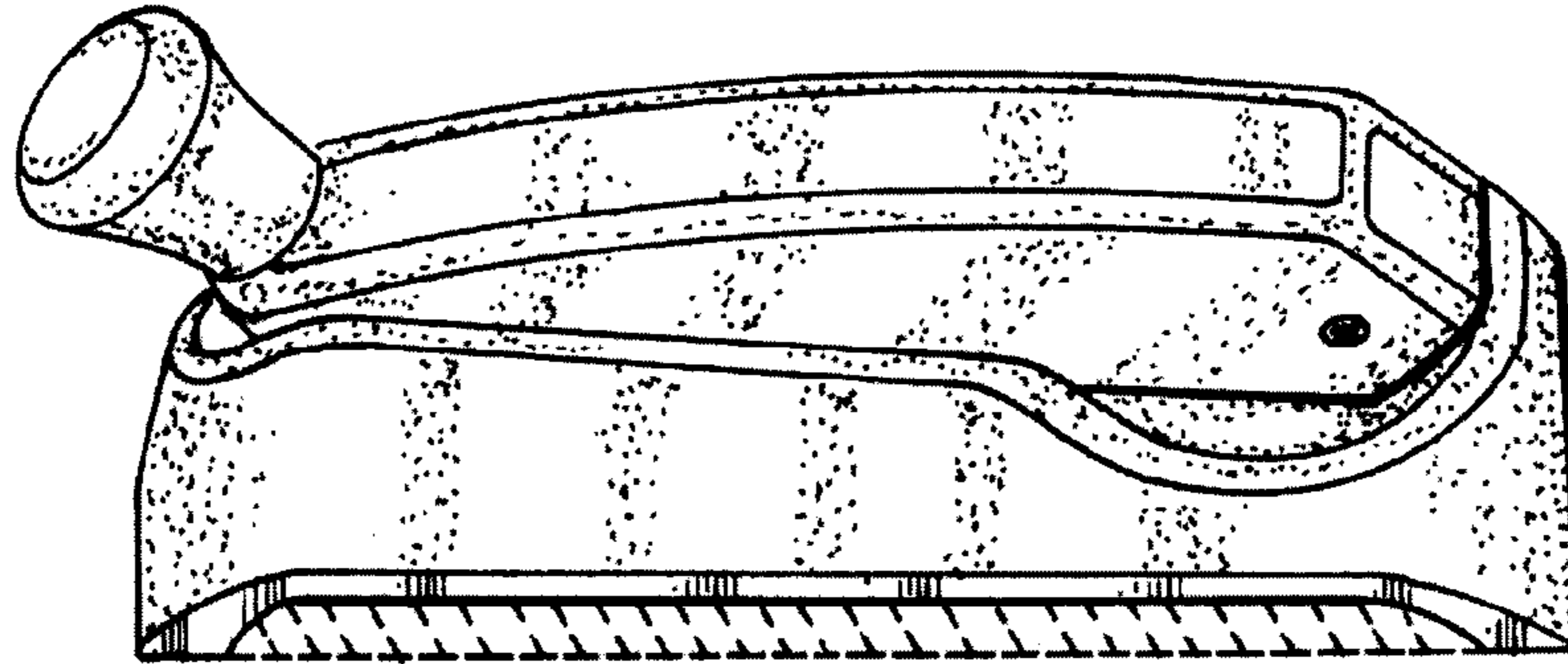


Fig. 4.

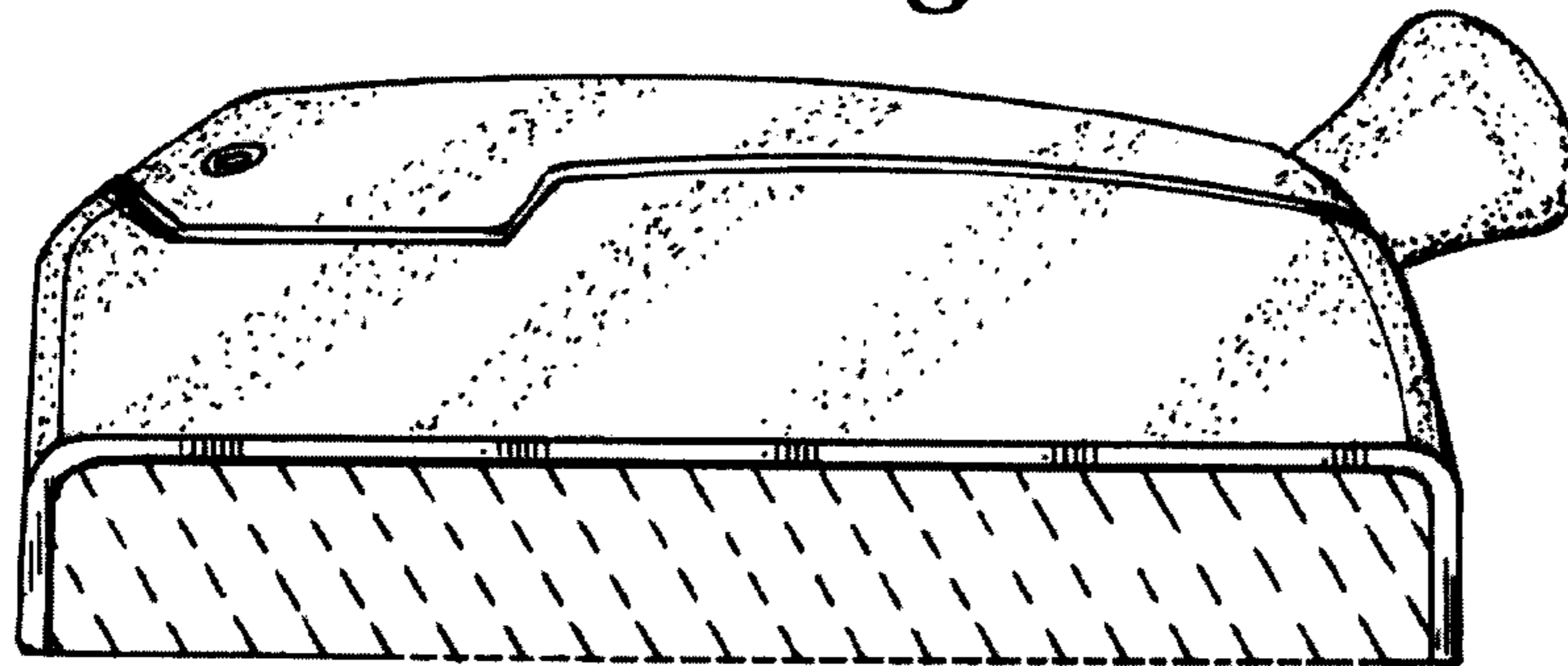


Fig. 5.

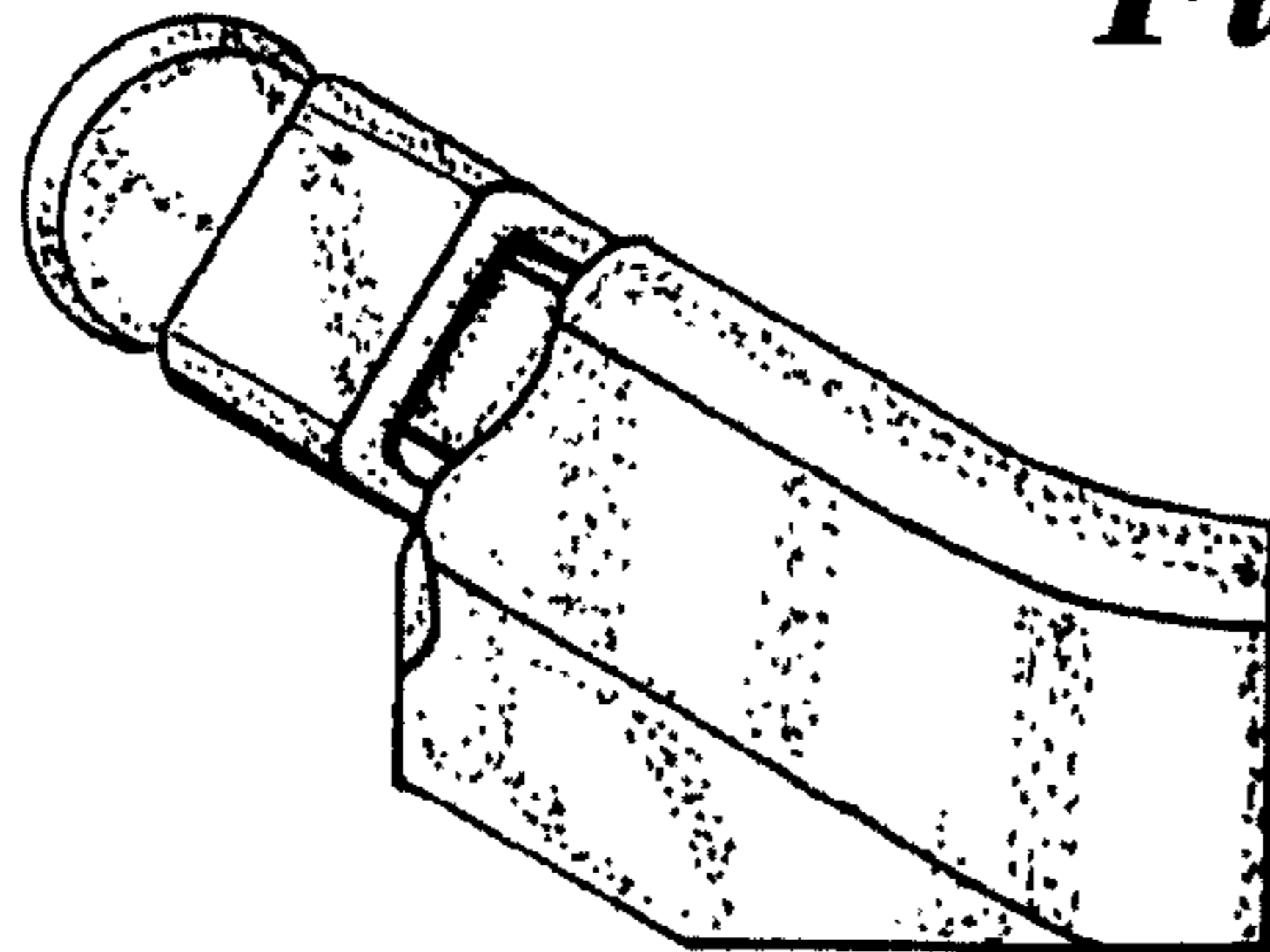


Fig. 6.

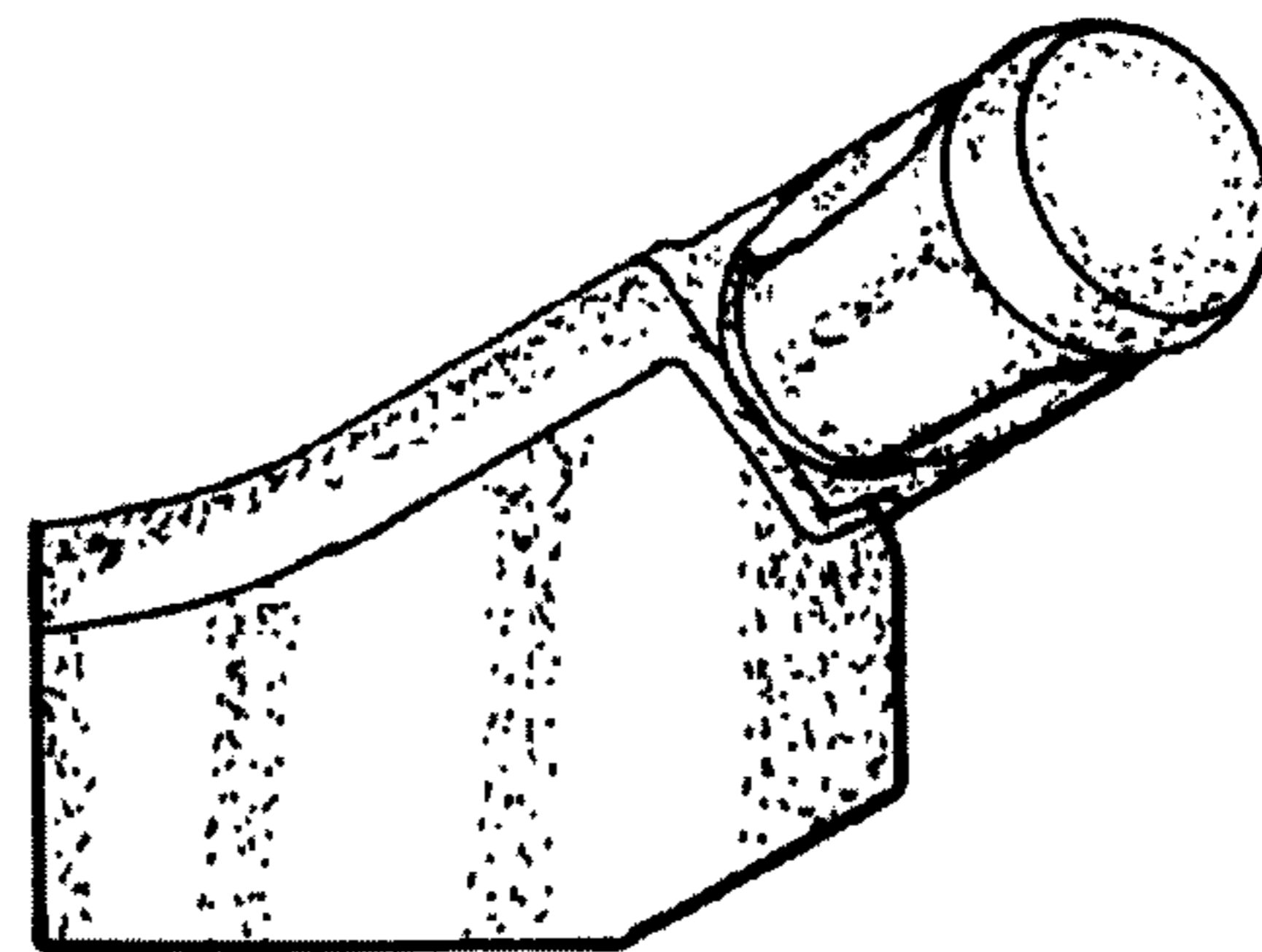


Fig. 7.