



US00D533443S

(12) **United States Design Patent** (10) **Patent No.:** **US D533,443 S**
Nakazato (45) **Date of Patent:** **** Dec. 12, 2006**

(54) **HOOK**

(75) Inventor: **Hiroshi Nakazato**, Kanagawa-ken (JP)

(73) Assignee: **Piolax, Inc.**, Yokohama (JP)

(**) Term: **14 Years**

(21) Appl. No.: **29/215,989**

(22) Filed: **Oct. 28, 2004**

(30) **Foreign Application Priority Data**

Jul. 2, 2004 (JP) 2004-019951

(51) **LOC (8) Cl.** **08-05**

(52) **U.S. Cl.** **D8/367**

(58) **Field of Classification Search** D8/367;
248/301, 304; 24/265 H

See application file for complete search history.

(56) **References Cited**

U.S. PATENT DOCUMENTS

4,368,999	A	*	1/1983	Morel	403/283
5,136,756	A	*	8/1992	Krauss	24/265 H
5,274,887	A	*	1/1994	Fudaki	24/265 H
D369,739	S	*	5/1996	Phillips	D8/396
D369,740	S	*	5/1996	Phillips	D8/396
5,546,639	A	*	8/1996	Lacore et al.	24/265 H

* cited by examiner

Primary Examiner—Holly Baynham

(74) *Attorney, Agent, or Firm*—McGinn IP Law Group, PLLC

(57) **CLAIM**

The ornamental design for a hook, as shown and described.

DESCRIPTION

FIG. 1 is a perspective view of the front, top and right side of a hook showing my new design;
 FIG. 2 is a front view thereof;
 FIG. 3 is a rear view thereof;
 FIG. 4 is a top plan view thereof;
 FIG. 5 is a bottom view thereof;
 FIG. 6 is a left side view thereof;
 FIG. 7 is a right side view thereof;
 FIG. 8 is a front view of the male part thereof;
 FIG. 9 is a rear view of the male part thereof;
 FIG. 10 is a top plan view of the male part thereof;
 FIG. 11 is a bottom view of the male part thereof;
 FIG. 12 is a left side view of the male part thereof;
 FIG. 13 is a right side view of the male part thereof;
 FIG. 14 is a front view of the female part thereof;
 FIG. 15 is a rear view of the female part thereof;
 FIG. 16 is a top plan view of the female part thereof;
 FIG. 17 is a bottom view of the female part thereof;
 FIG. 18 is a left side view of the female part thereof; and,
 FIG. 19 is a right side view of the female part thereof.
 The elements of the hook are shown separate for ease and clarity of illustration.

1 Claim, 6 Drawing Sheets

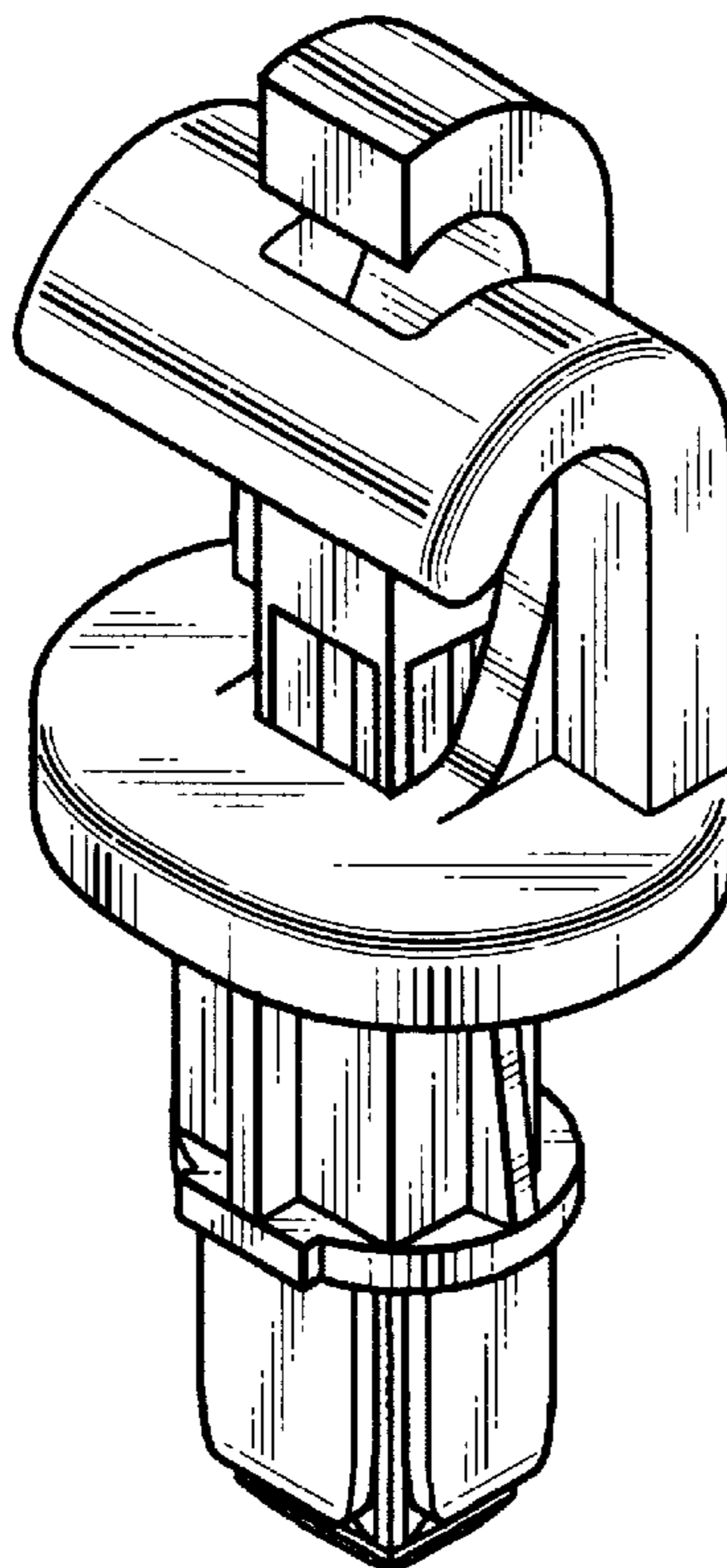


FIG. 1

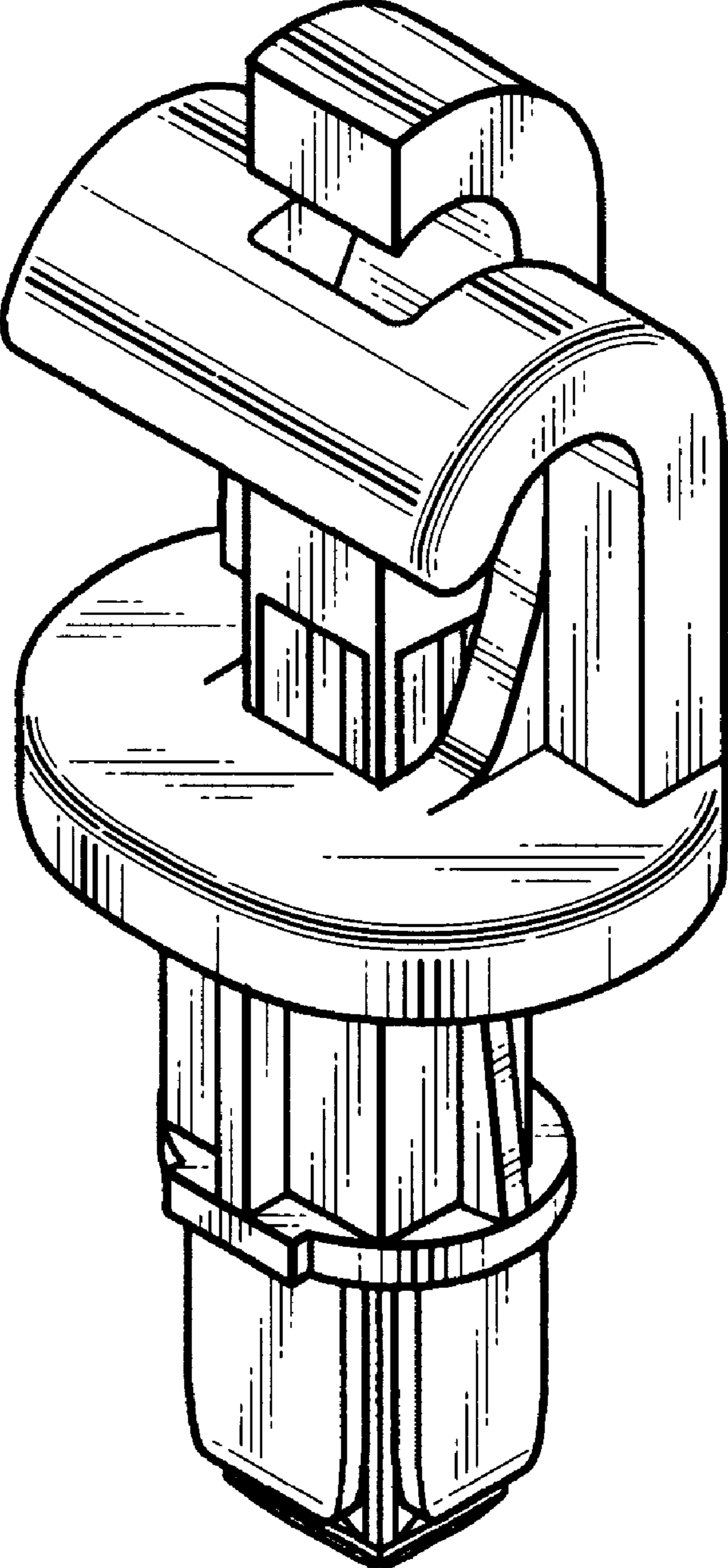


FIG.2

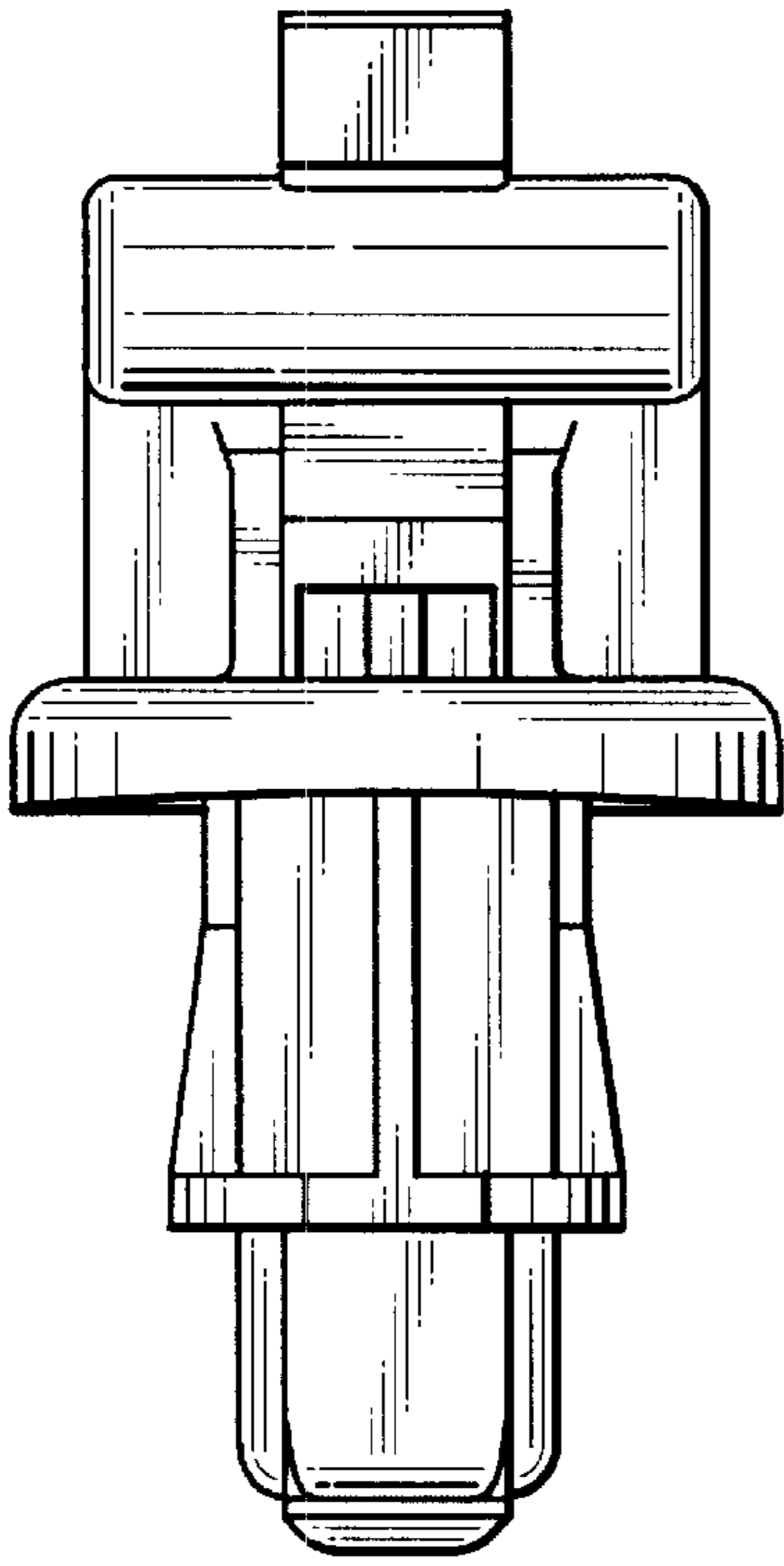


FIG.3

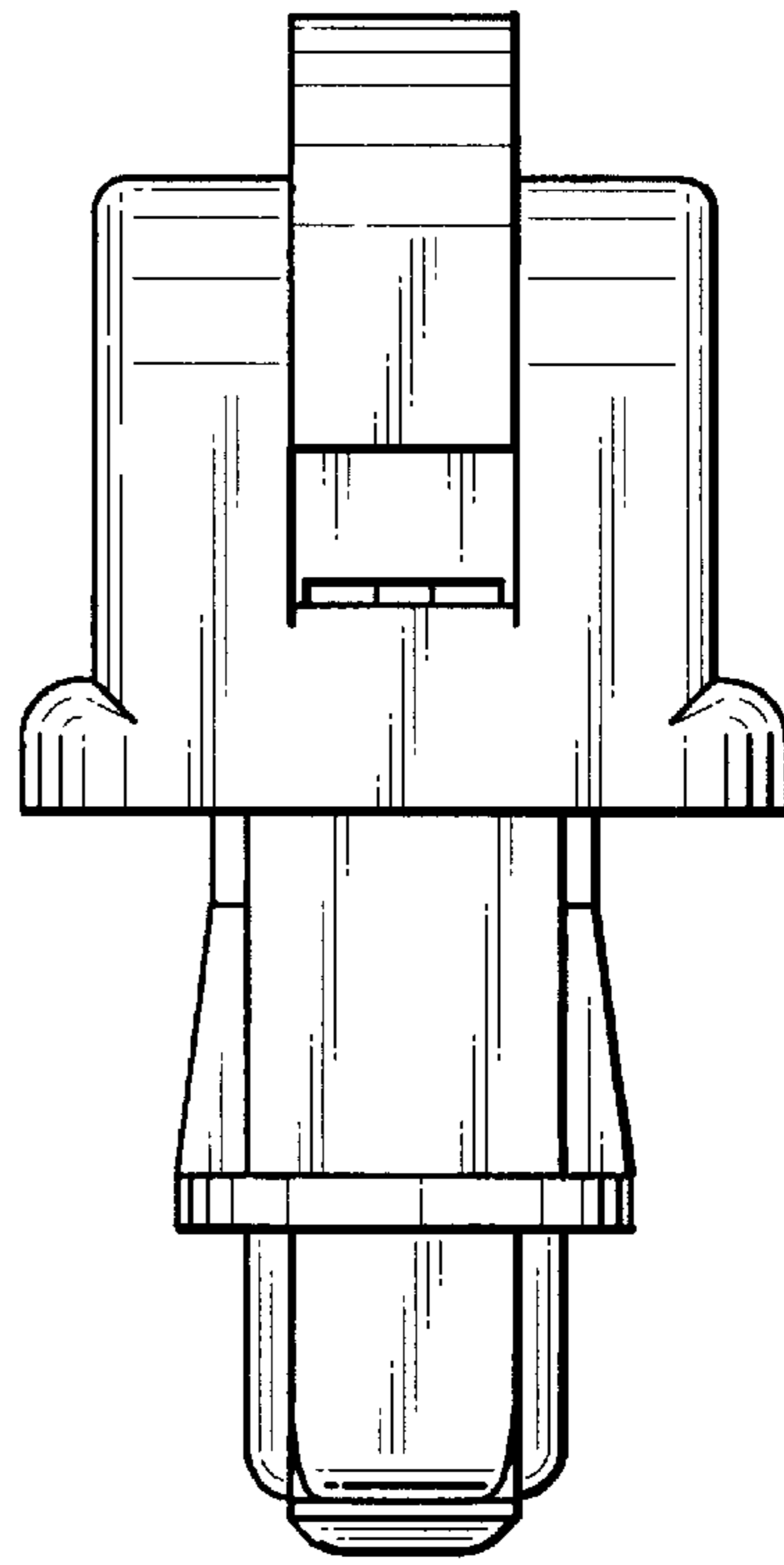


FIG.4

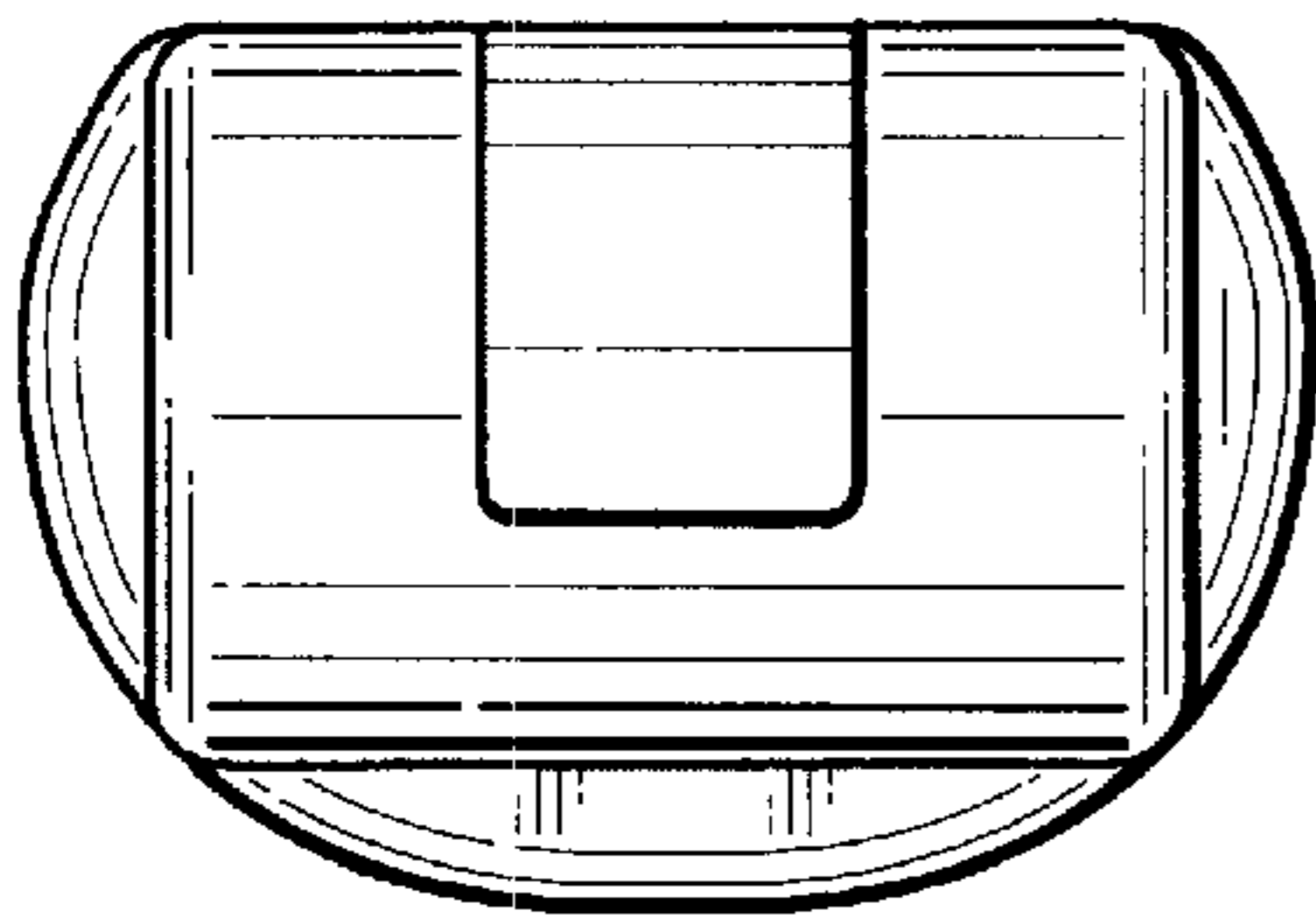


FIG.5

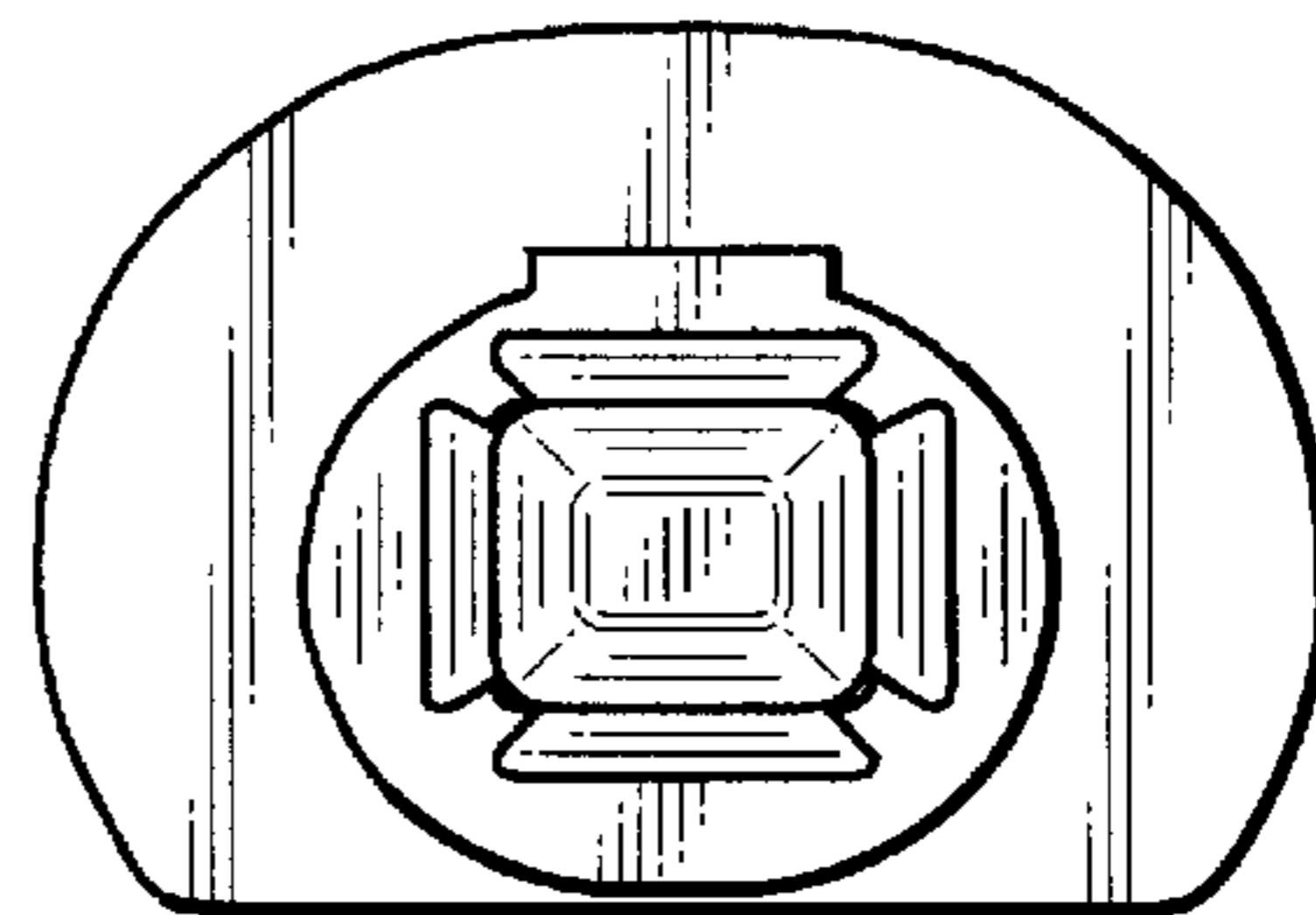


FIG.6

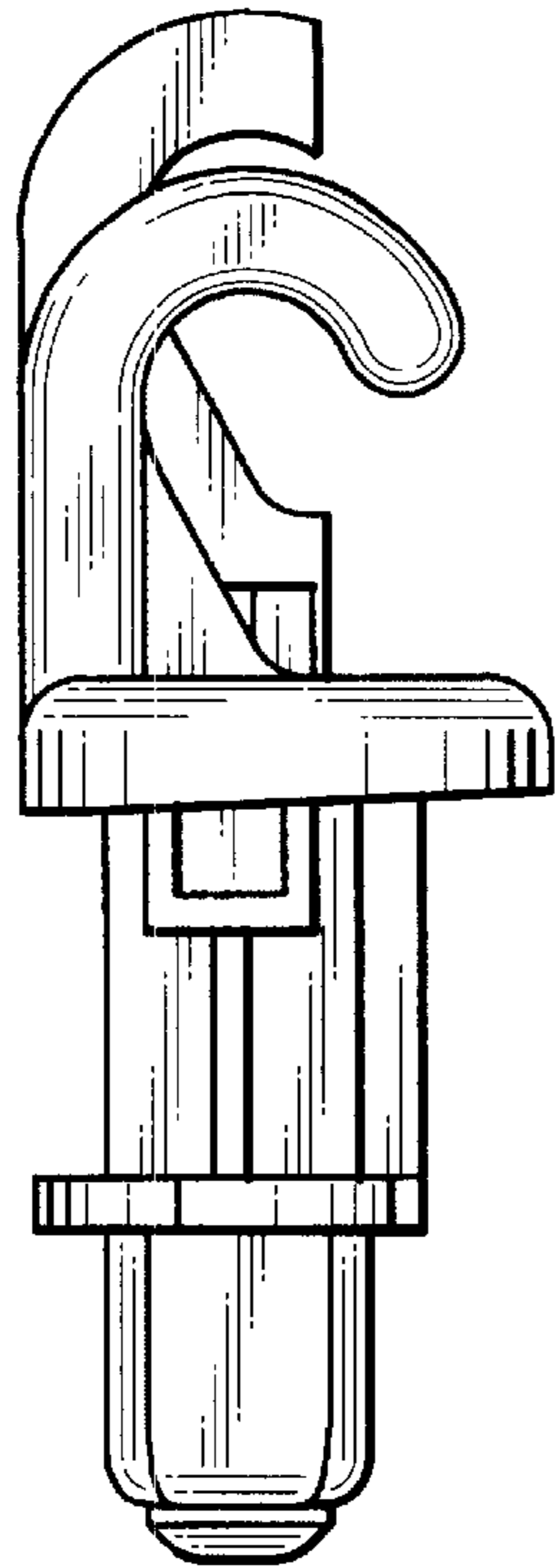


FIG.7

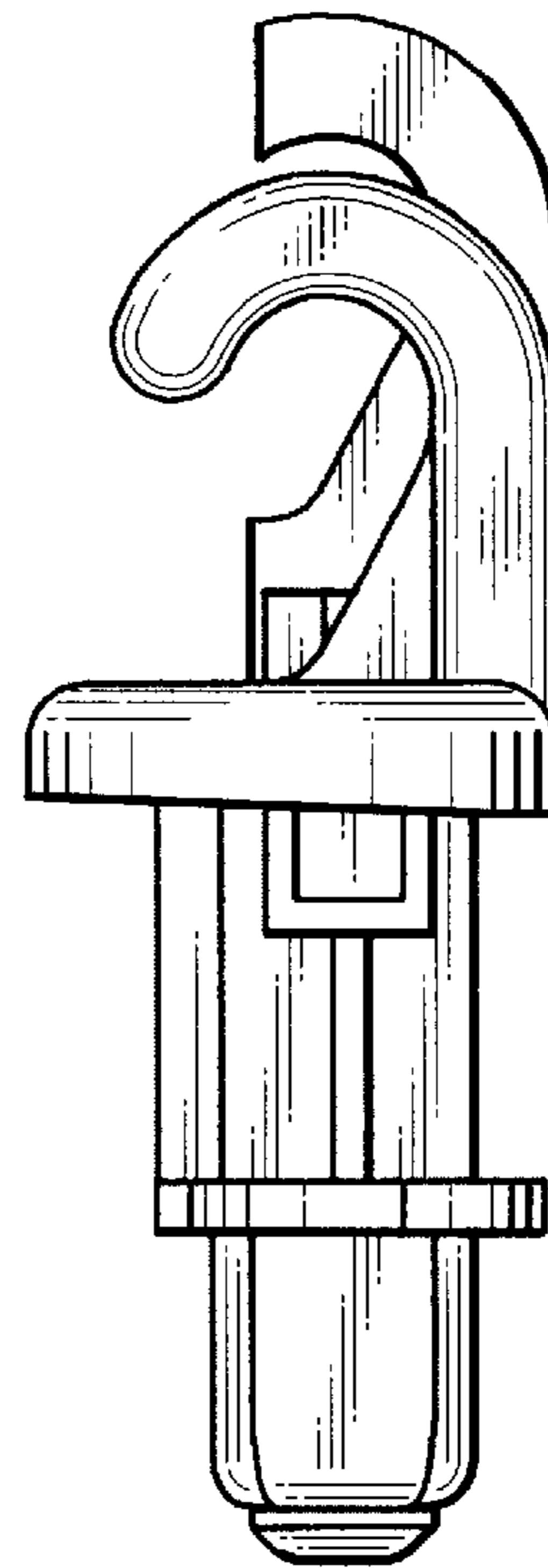


FIG.8

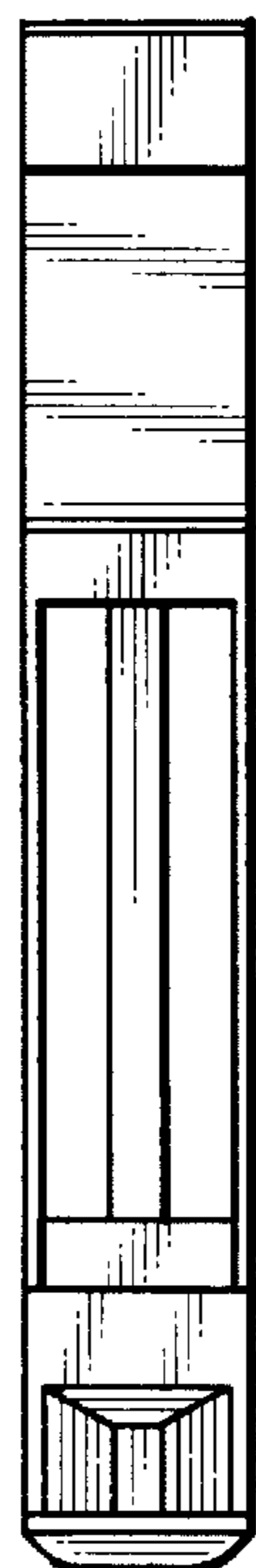


FIG.9

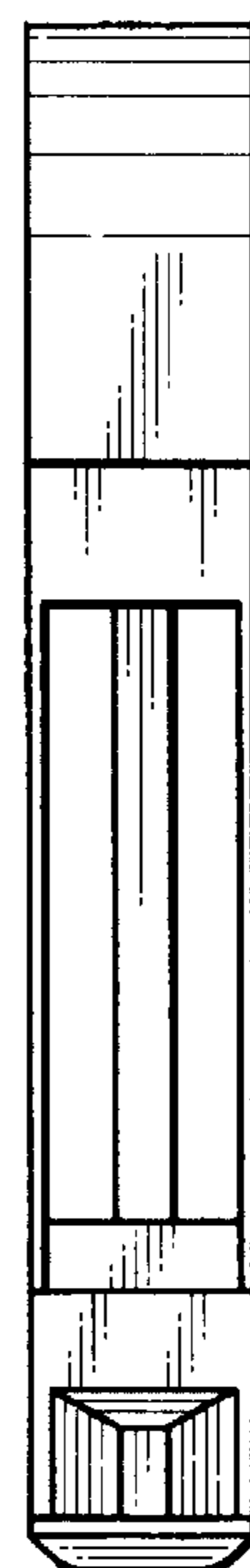


FIG. 10

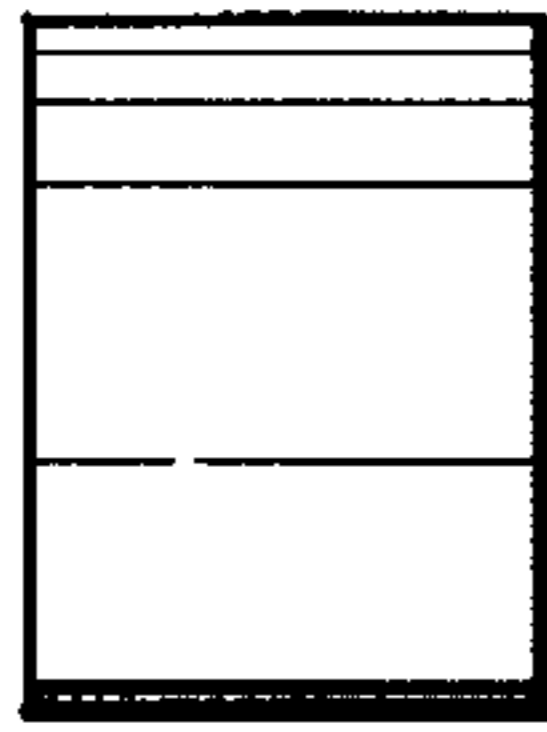


FIG. 11

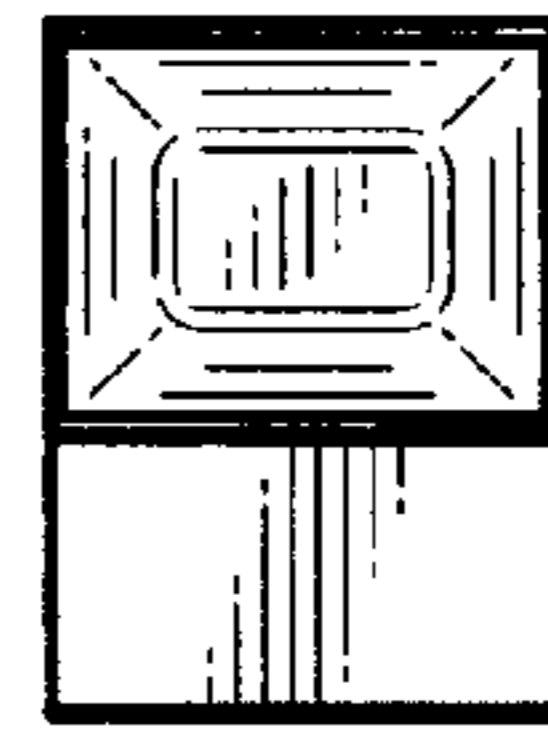


FIG. 12

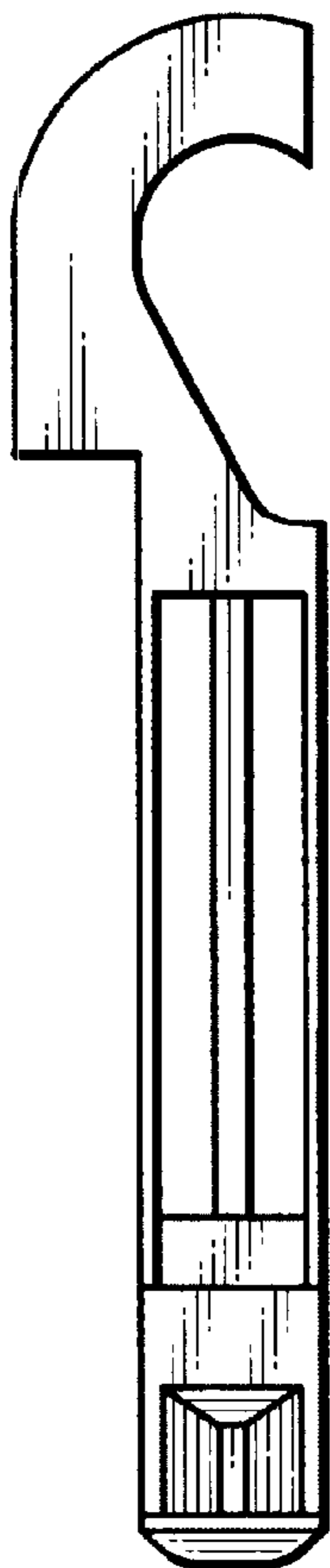


FIG. 13

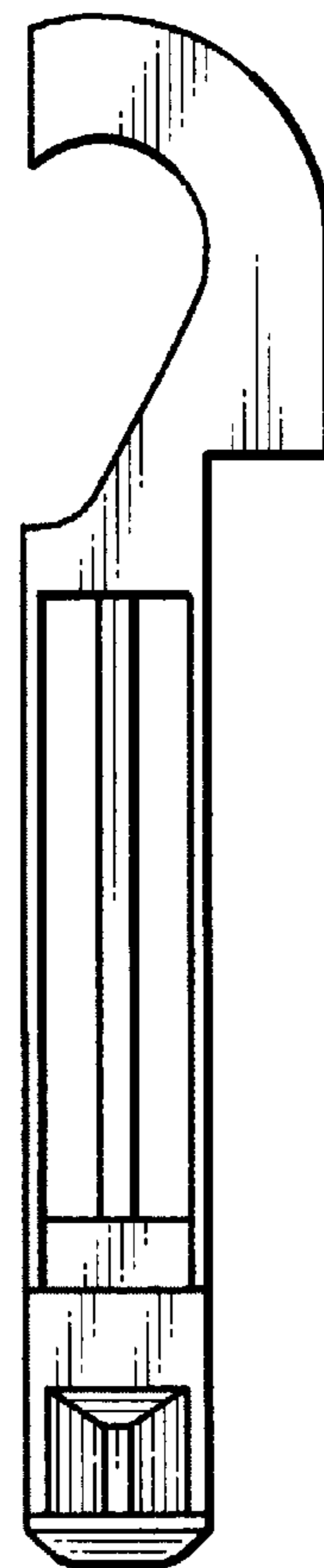


FIG.14

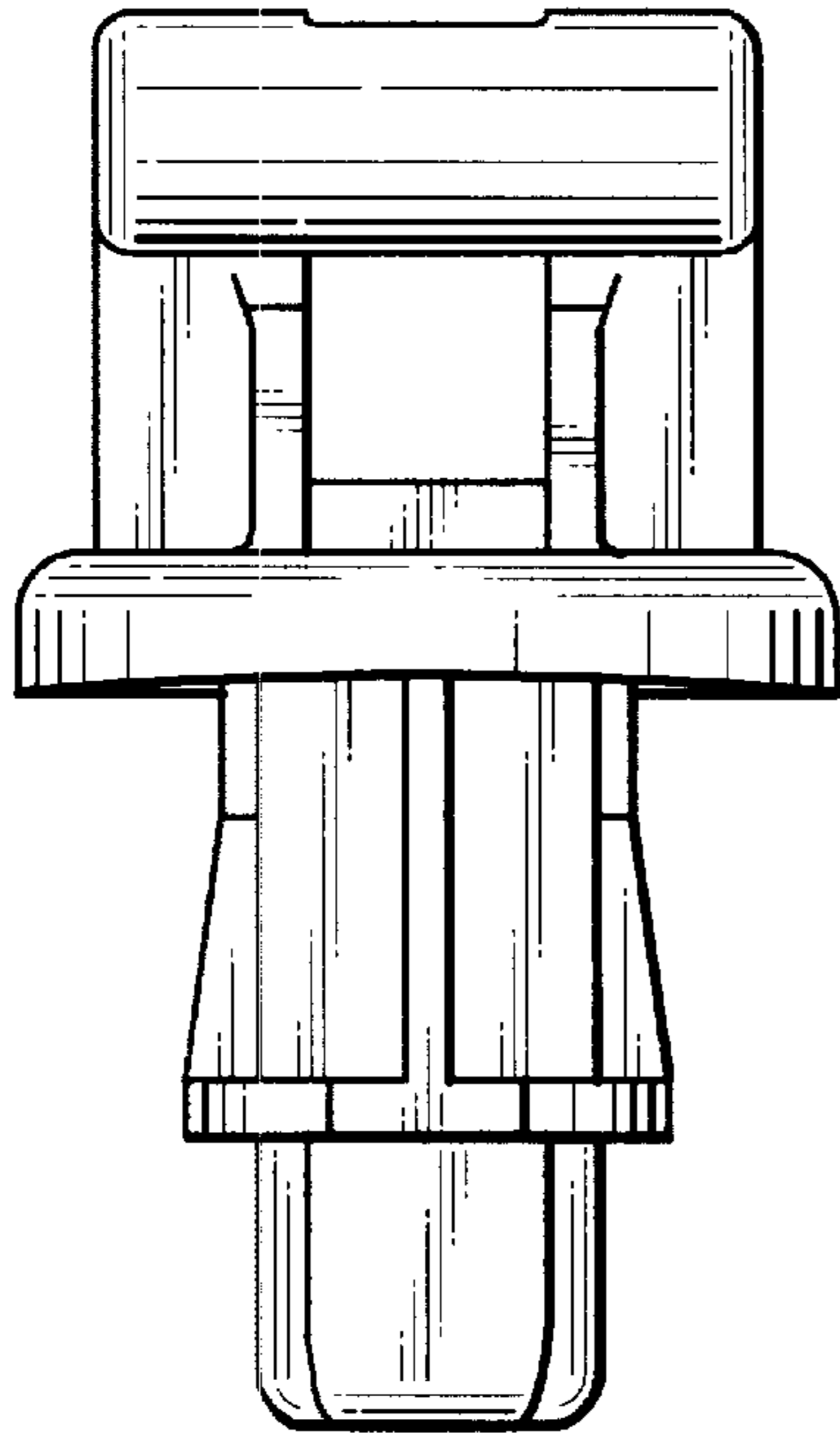


FIG.15

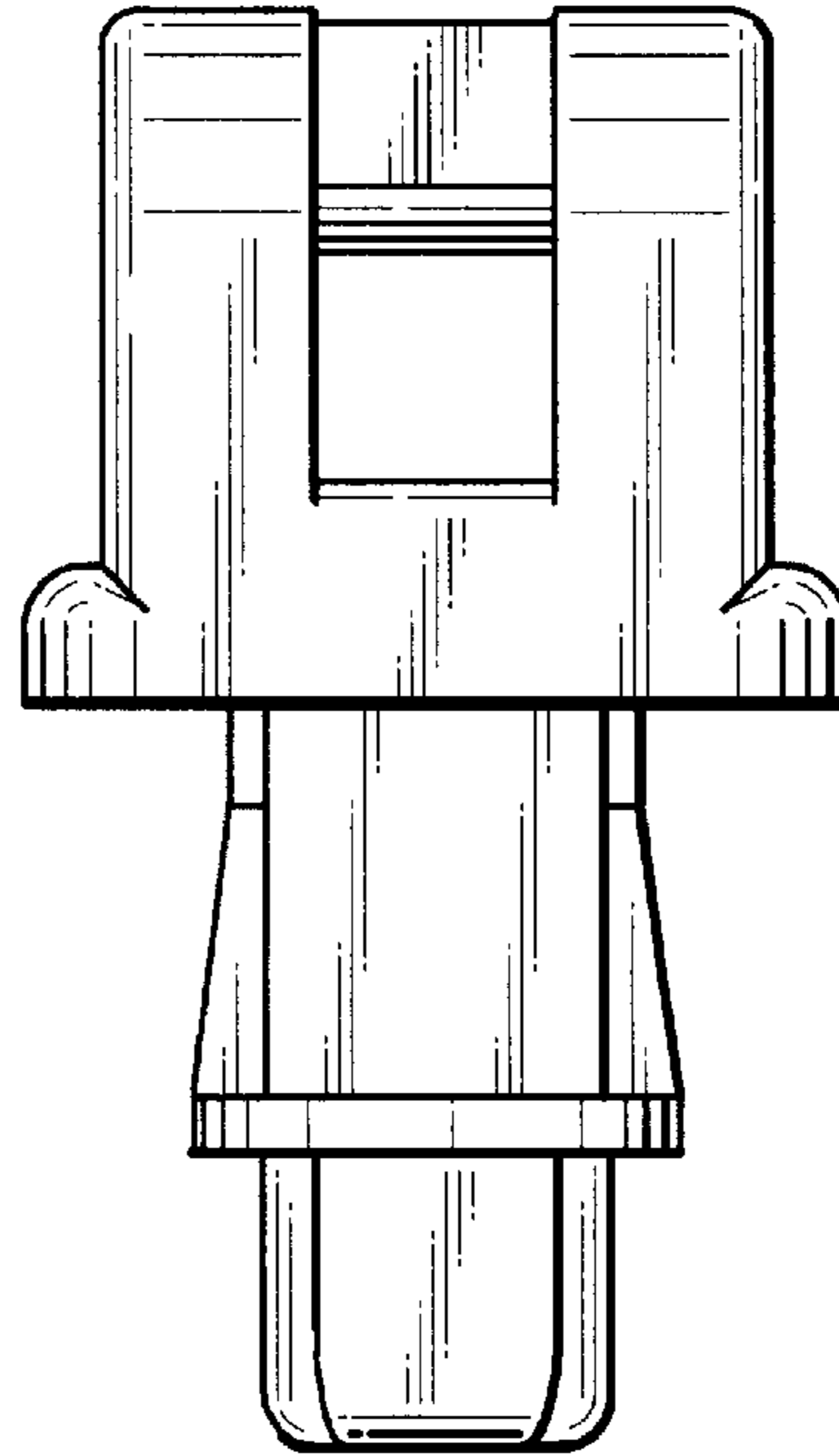


FIG.16

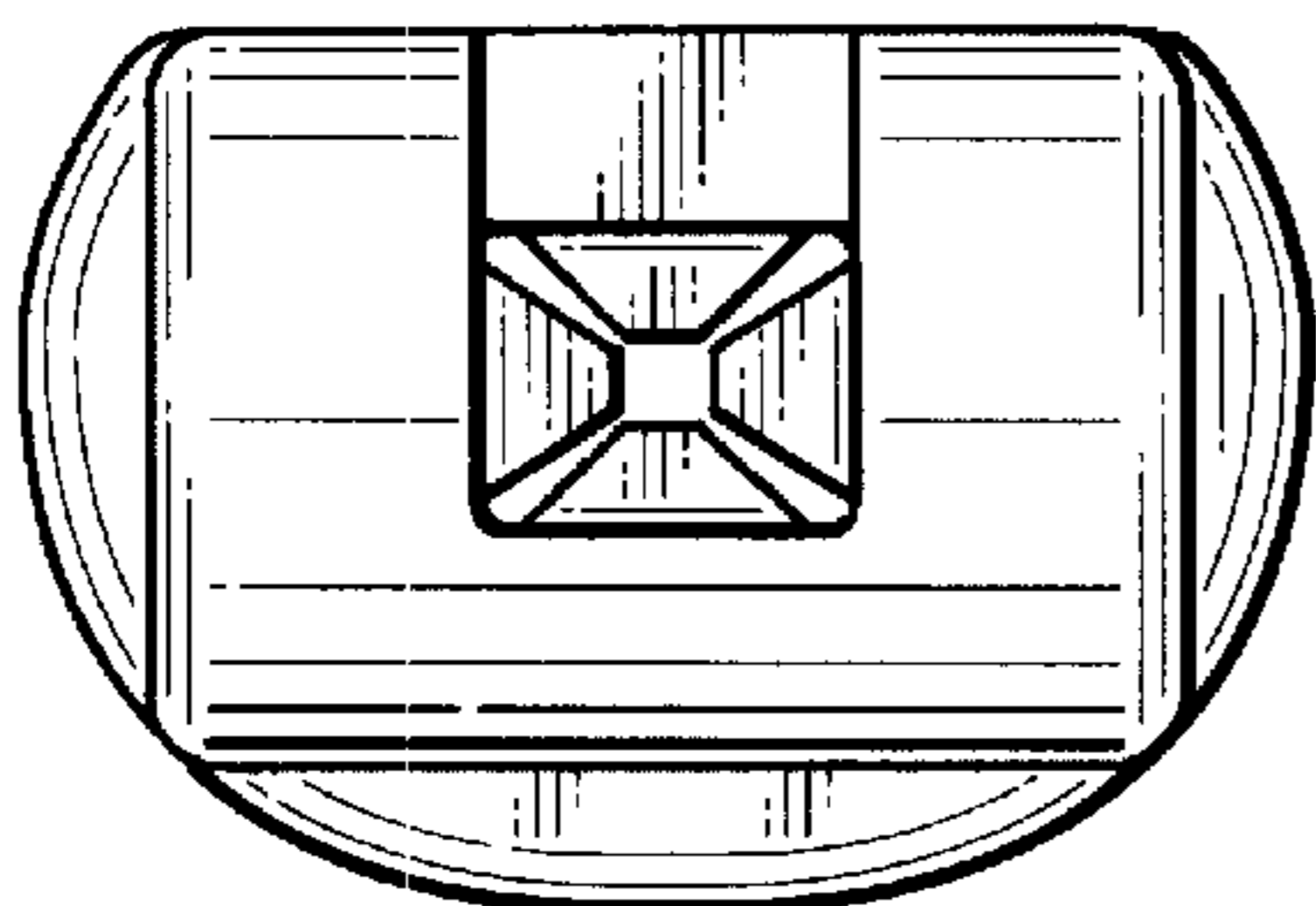


FIG.17

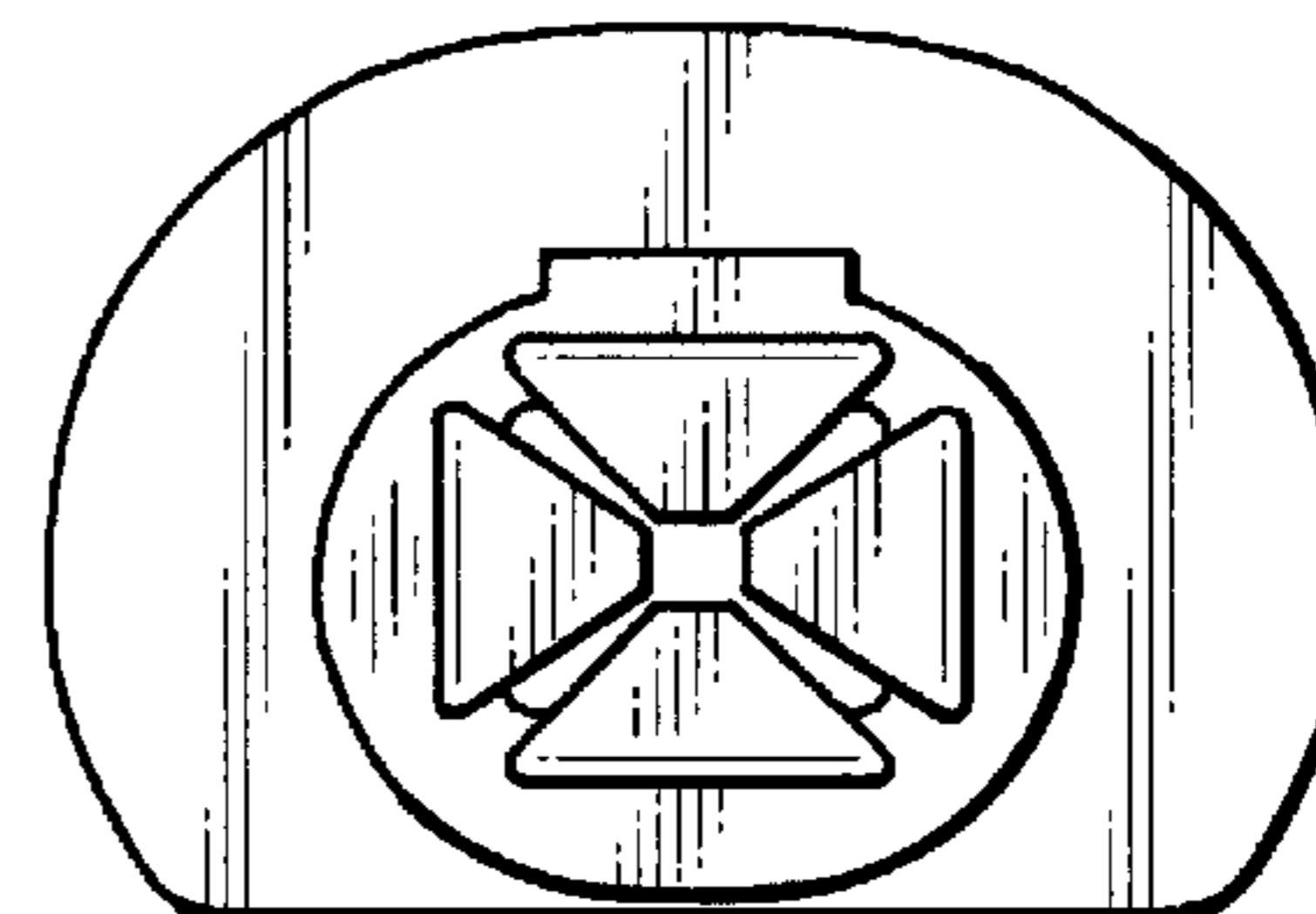


FIG.18

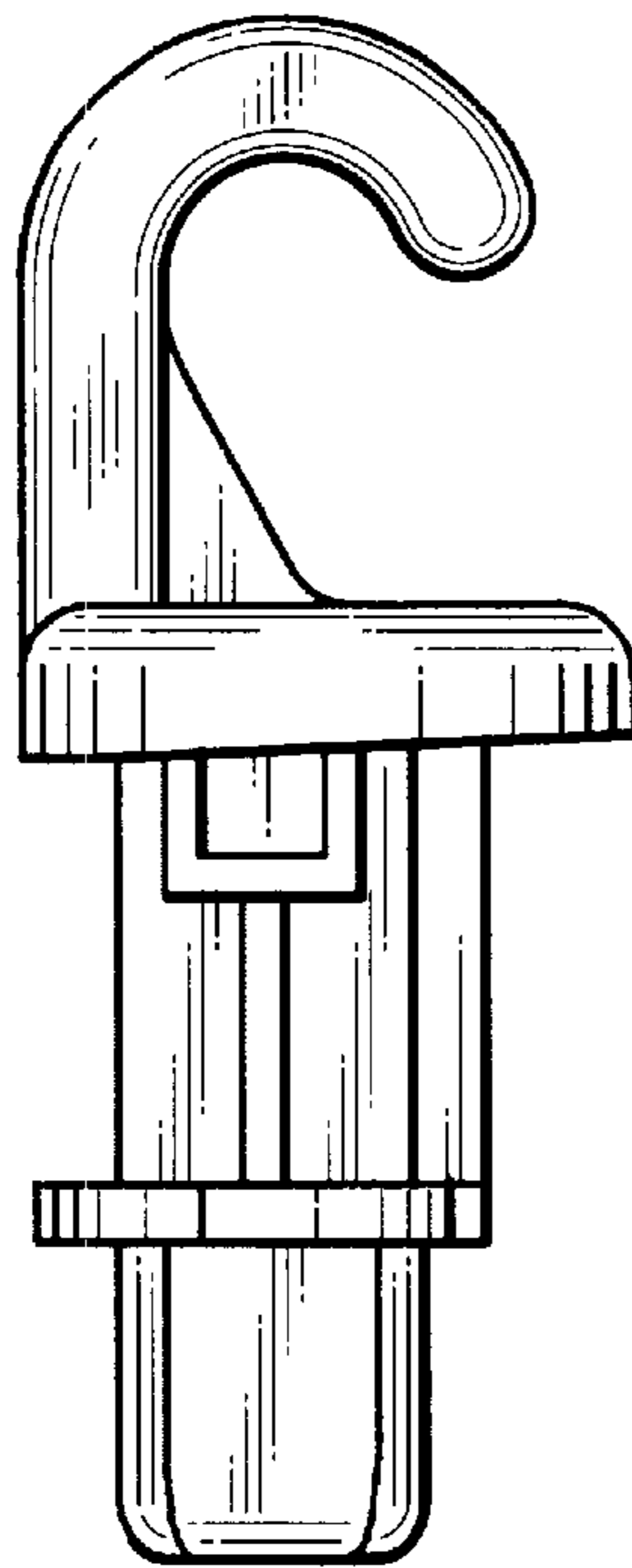


FIG.19

