



US00D533439S

(12) **United States Design Patent**
Daugherty

(10) **Patent No.:** **US D533,439 S**

(45) **Date of Patent:** **** Dec. 12, 2006**

(54) **KEY**

(75) **Inventor:** **Eugene F. Daugherty**, San Antonio, TX (US)

(73) **Assignee:** **Southern Folger Detention Equipment Company, LLC**, San Antonio, TX (US)

(**) **Term:** **14 Years**

(21) **Appl. No.:** **29/256,447**

(22) **Filed:** **Mar. 21, 2006**

(51) **LOC (8) Cl.** **08-07**

(52) **U.S. Cl.** **D8/347**

(58) **Field of Classification Search** D8/347,
D8/348; 70/347, 271, 278.2, 336, 344, 348,
70/357, 382, 393, 429, 402-414, 469, 448
See application file for complete search history.

(56) **References Cited**

U.S. PATENT DOCUMENTS

289,284	A	*	11/1883	Lincoln	70/393
365,304	A	*	6/1887	Gurney	70/393
371,823	A	*	10/1887	Cowles	70/393
600,618	A	*	3/1898	Lockwood	70/393
D36,741	S	*	1/1904	Oaley	D8/347

D155,297	S	*	9/1949	Kushner	D8/82
3,541,818	A	*	11/1970	Dana	70/393
5,560,234	A	*	10/1996	Ross et al.	70/352
D433,315	S	*	11/2000	Chen	D8/347
6,519,989	B1	*	2/2003	Hirvi	70/492
6,755,061	B1	*	6/2004	Herzenberg	70/408
2003/0134600	A1	*	7/2003	Picone et al.	455/68

* cited by examiner

Primary Examiner—Prabhakar Deshmukh

(74) *Attorney, Agent, or Firm*—David O. Seeley; Thomas J. Rossa; Holmes Roberts & Owen, LLP

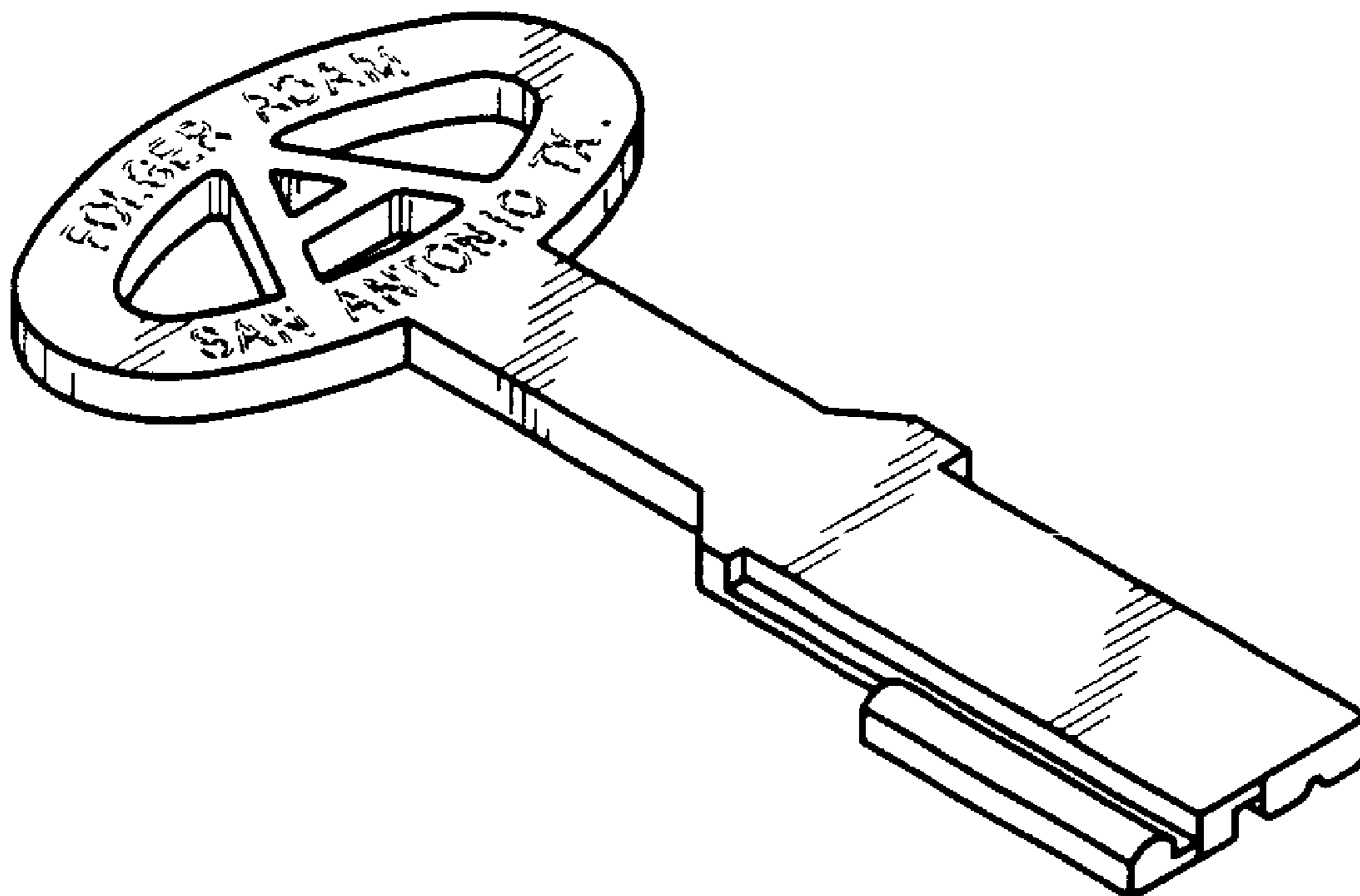
(57) **CLAIM**

The ornamental design for a key, as shown.

DESCRIPTION

FIG. 1 is a front perspective view of the key.
FIG. 2 is a back perspective view of the key.
FIG. 3 is a front view of the key.
FIG. 4 is a back view of the key.
FIG. 5 is a right side view of the key.
FIG. 6 is a left side view of the key.
FIG. 7 is a top view of the key; and,
FIG. 8 is a bottom view of the key.

1 Claim, 1 Drawing Sheet



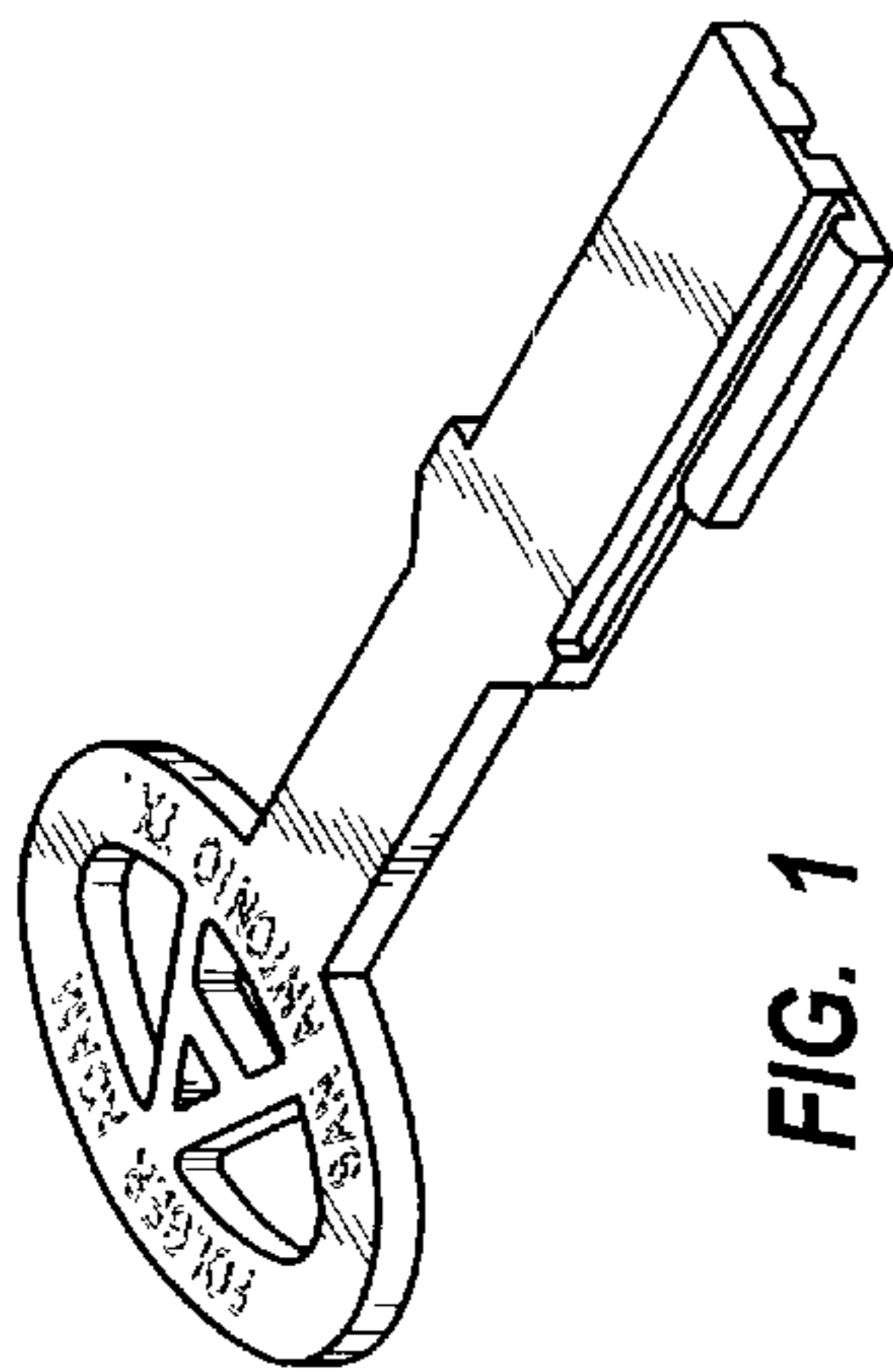


FIG. 1



FIG. 5

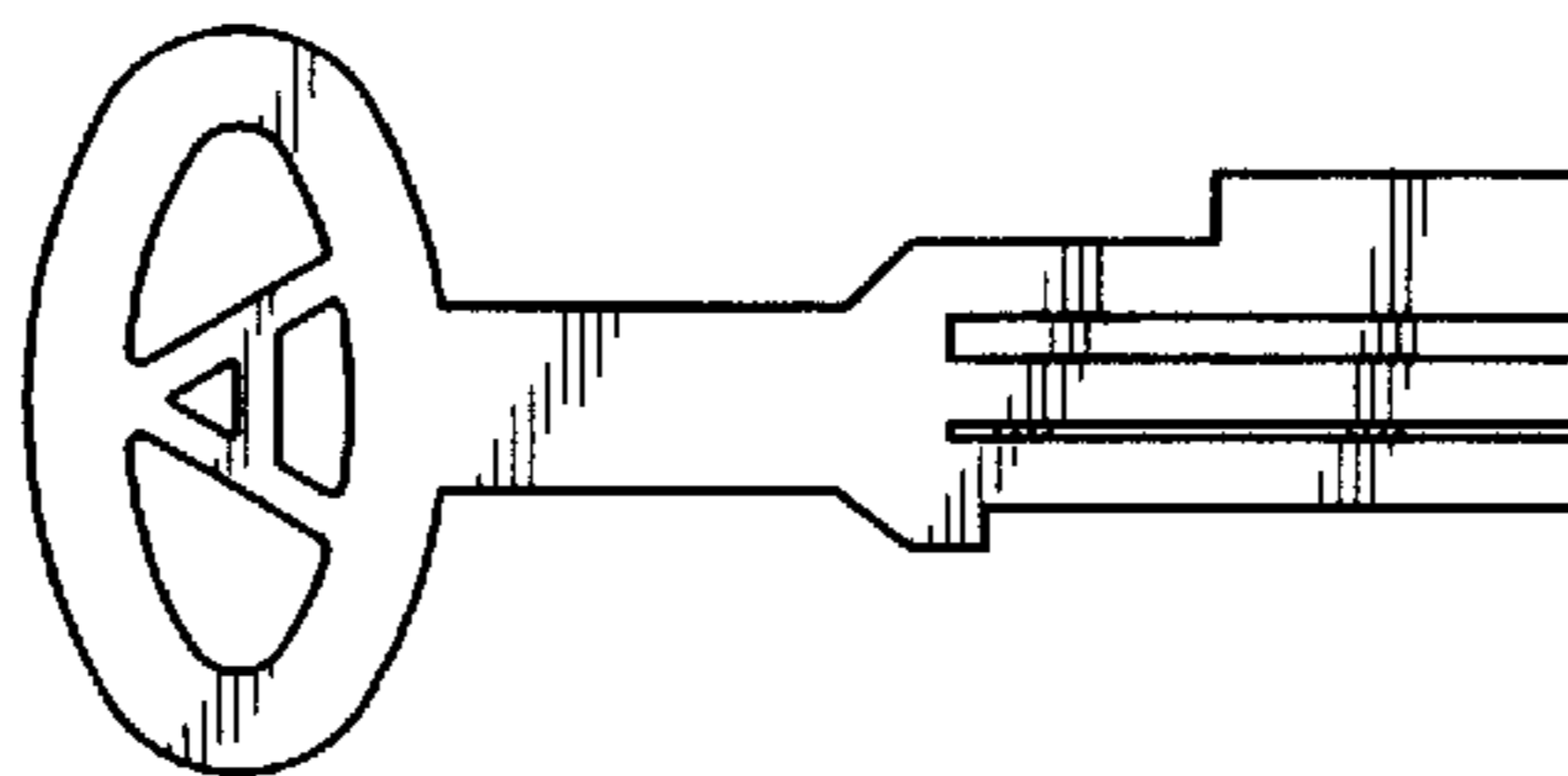


FIG. 4

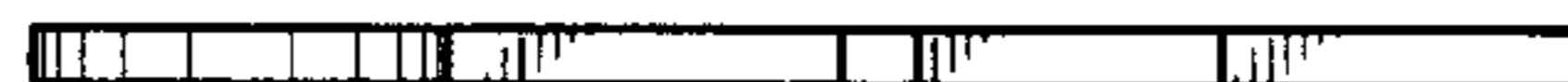


FIG. 6

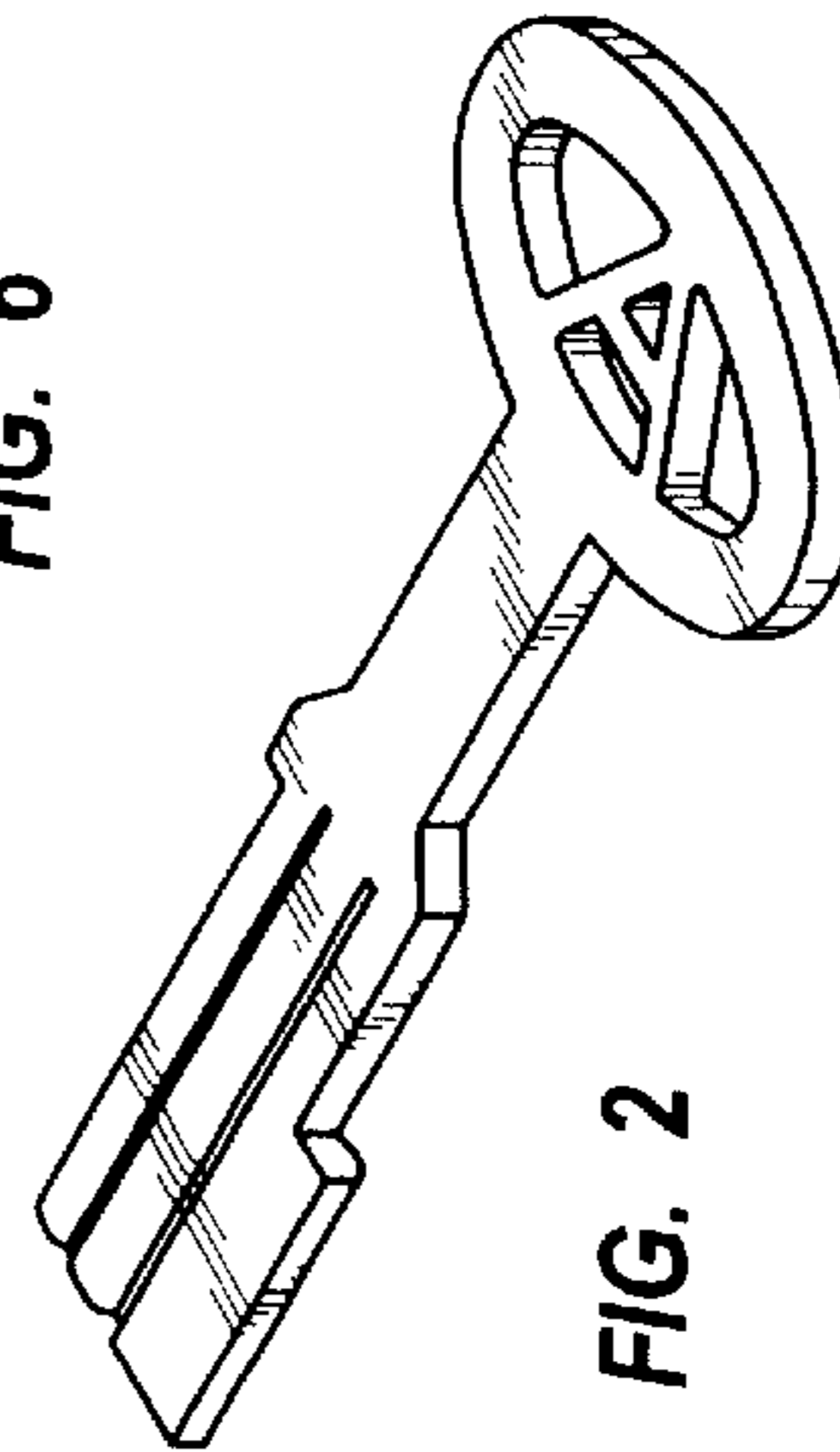


FIG. 2



FIG. 7

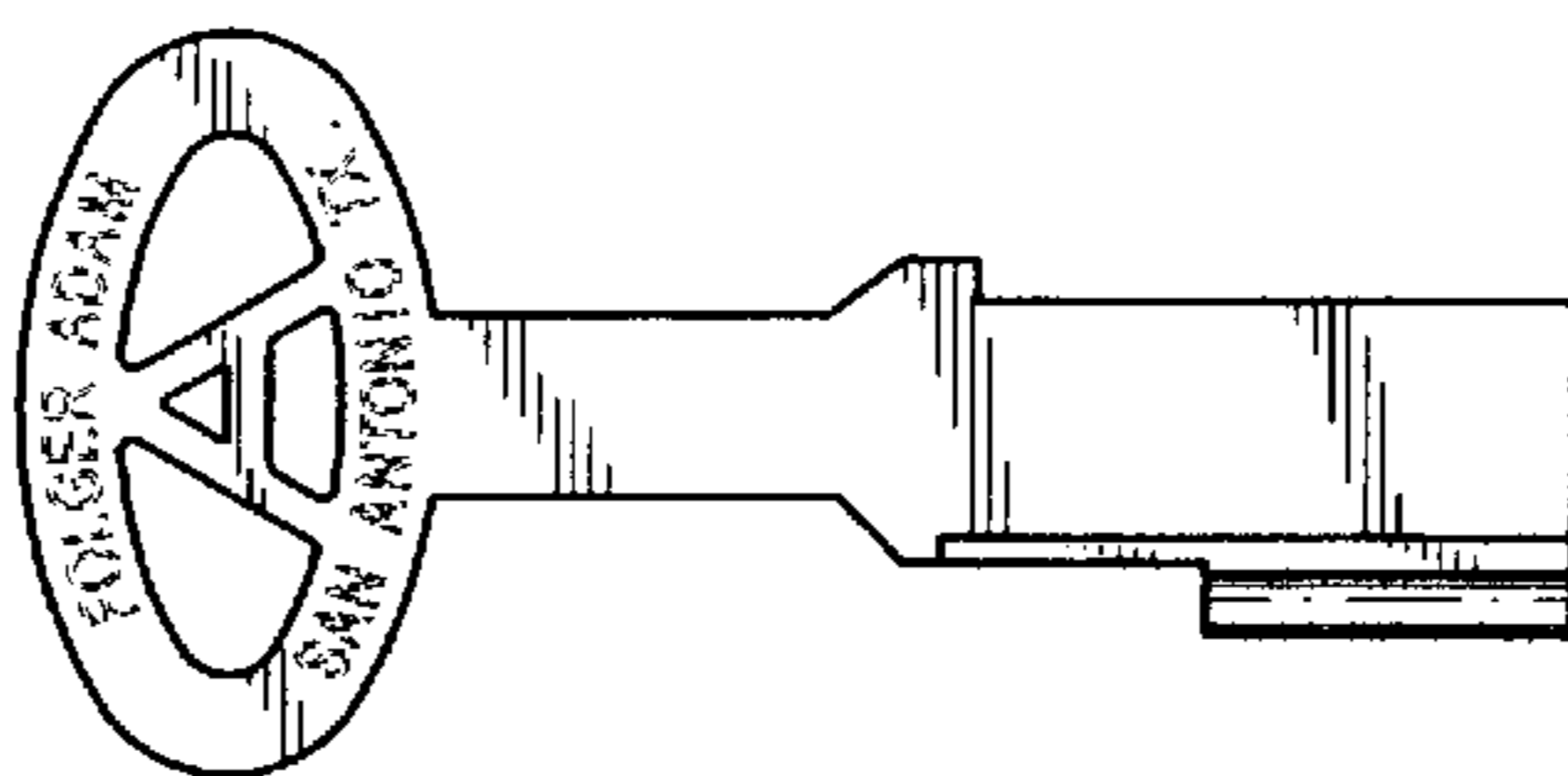


FIG. 3



FIG. 8