



US00D533435S

(12) **United States Design Patent** (10) **Patent No.:** **US D533,435 S**
Kearns et al. (45) **Date of Patent:** **** Dec. 12, 2006**

(54) **LOCK**
(75) Inventors: **Dave Kearns**, Hartford, WI (US);
Mark Van Handel, Milwaukee, WI
(US); **Scott Kalous**, Gurnee, IL (US);
John Heppner, Kenosha, WI (US)
(73) Assignee: **Master Lock Company**, Oak Creek,
WI (US)
(**) Term: **14 Years**

5,488,845 A 2/1996 Hsieh
5,505,064 A 4/1996 Wang
5,823,021 A 10/1998 Chang
6,026,663 A 2/2000 Tsung-Chuan et al.
6,341,509 B1 1/2002 McDaid
D454,293 S * 3/2002 Bremicker D8/334
6,397,648 B1 6/2002 Morris et al.
6,430,975 B1 8/2002 McDaid
6,619,084 B1 9/2003 Kuo
D488,368 S 4/2004 Vito
D488,701 S 4/2004 Vito

(21) Appl. No.: **29/217,096**
(22) Filed: **Nov. 12, 2004**
(51) **LOC (8) Cl.** **08-07**
(52) **U.S. Cl.** **D8/334**
(58) **Field of Classification Search** D8/330,
D8/331, 333, 334, 336, 339; 70/20, 24-29,
70/31, 35, 38 R, 42-48
See application file for complete search history.

OTHER PUBLICATIONS

Master Lock, No. 8118 U-Lock Product Description, Master
Lock web site, 2003.

* cited by examiner

Primary Examiner—Prabhakar Deshmukh
(74) *Attorney, Agent, or Firm*—Calfee, Halter, & Griswold
LLP

(57) **CLAIM**

The ornamental design for a lock, as shown and described.

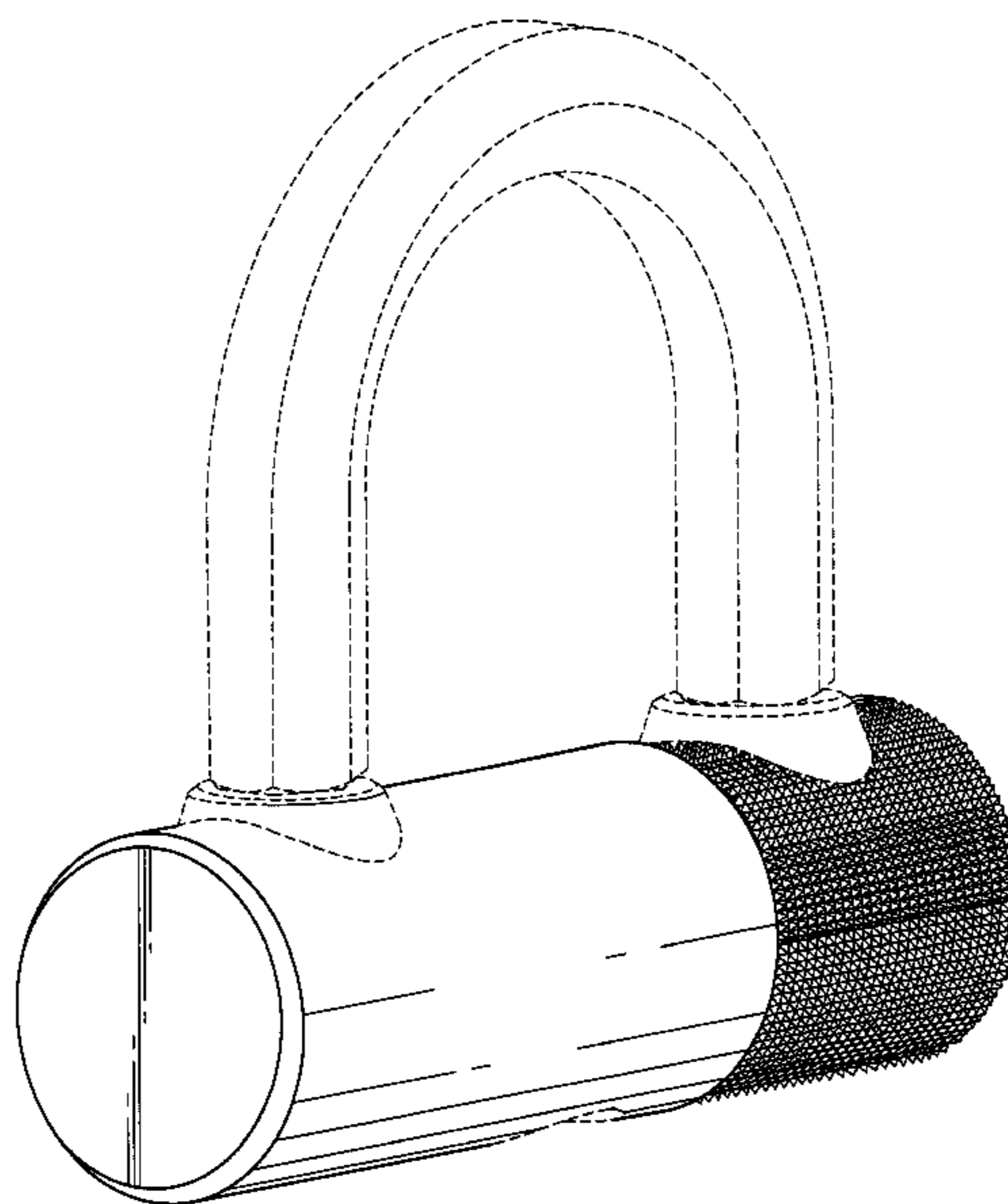
(56) **References Cited**
U.S. PATENT DOCUMENTS

1,016,455 A 2/1912 Stone
1,667,254 A * 4/1928 Hedrich 70/46
1,688,208 A * 10/1928 Del Rosso 70/21
4,085,600 A * 4/1978 Bindari 70/39
D295,719 S * 5/1988 DeLuca et al. D8/331
4,918,949 A * 4/1990 Newbold 70/38 A
5,101,646 A 4/1992 Goldman et al.
5,142,888 A 9/1992 Ling
5,194,845 A 3/1993 Sirmon et al.
5,195,340 A 3/1993 Huang
5,199,282 A 4/1993 Wang
5,331,830 A 7/1994 Su
5,398,529 A 3/1995 Goldman et al.
5,400,624 A 3/1995 Shieh
5,406,812 A 4/1995 Jaw
5,417,092 A 5/1995 Iu

DESCRIPTION

FIG. 1 is a perspective view of the design of the present
invention;
FIG. 2 is a front view of the lock shown in FIG. 1;
FIG. 3 is a top view of the lock shown in FIG. 1;
FIG. 4 is a back view of the lock shown in FIG. 1;
FIG. 5 is a bottom view of the lock shown in FIG. 1;
FIG. 6 is a side view of the lock shown in FIG. 1; and,
FIG. 7 is a side view of the lock shown in FIG. 1.
The portions of the Figures shown in phantom lines are not
part of the claimed design but are for illustration only. The
broken lines, which define the bounds of the claimed design,
form no part thereof.

1 Claim, 4 Drawing Sheets



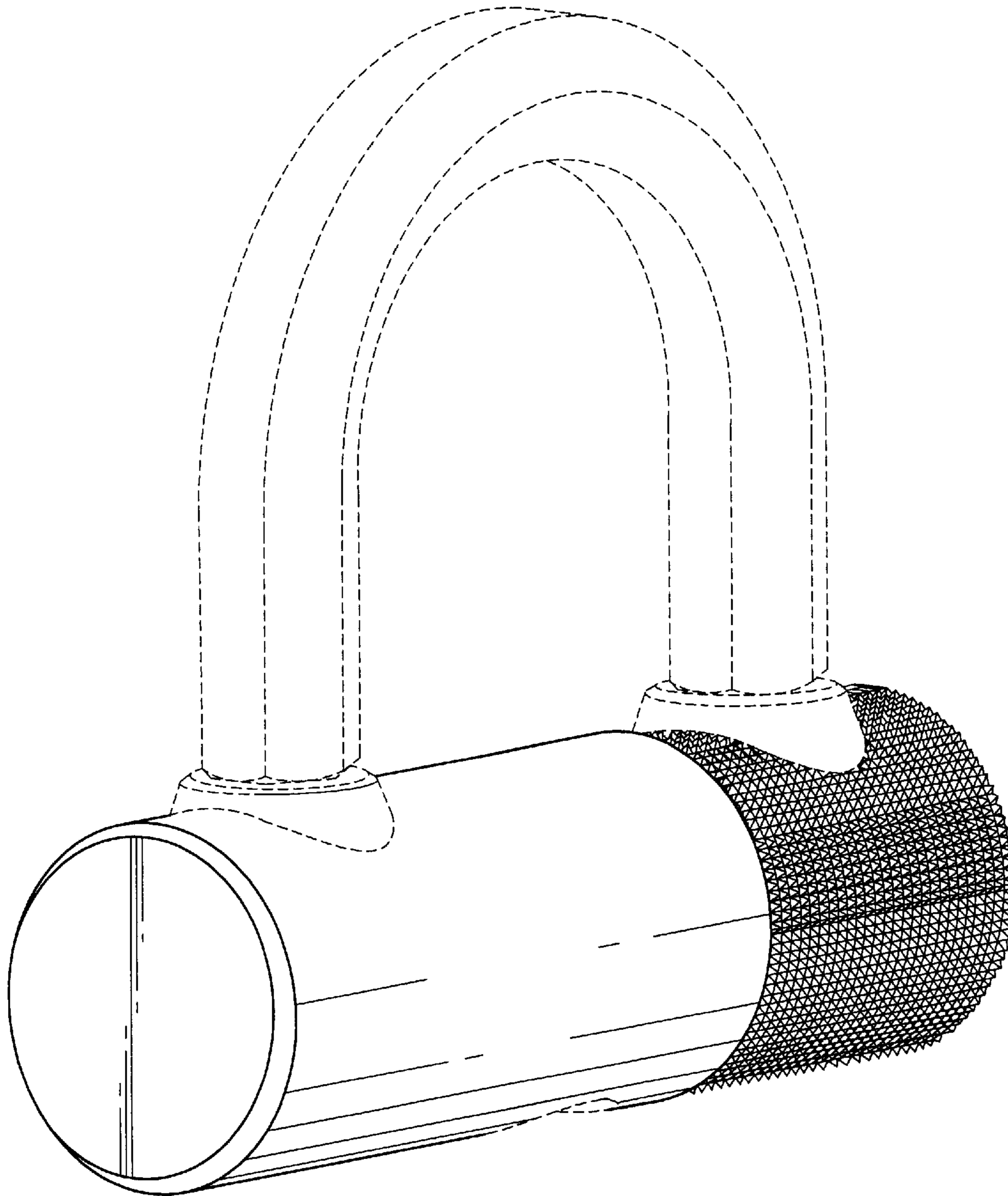


FIG. 1

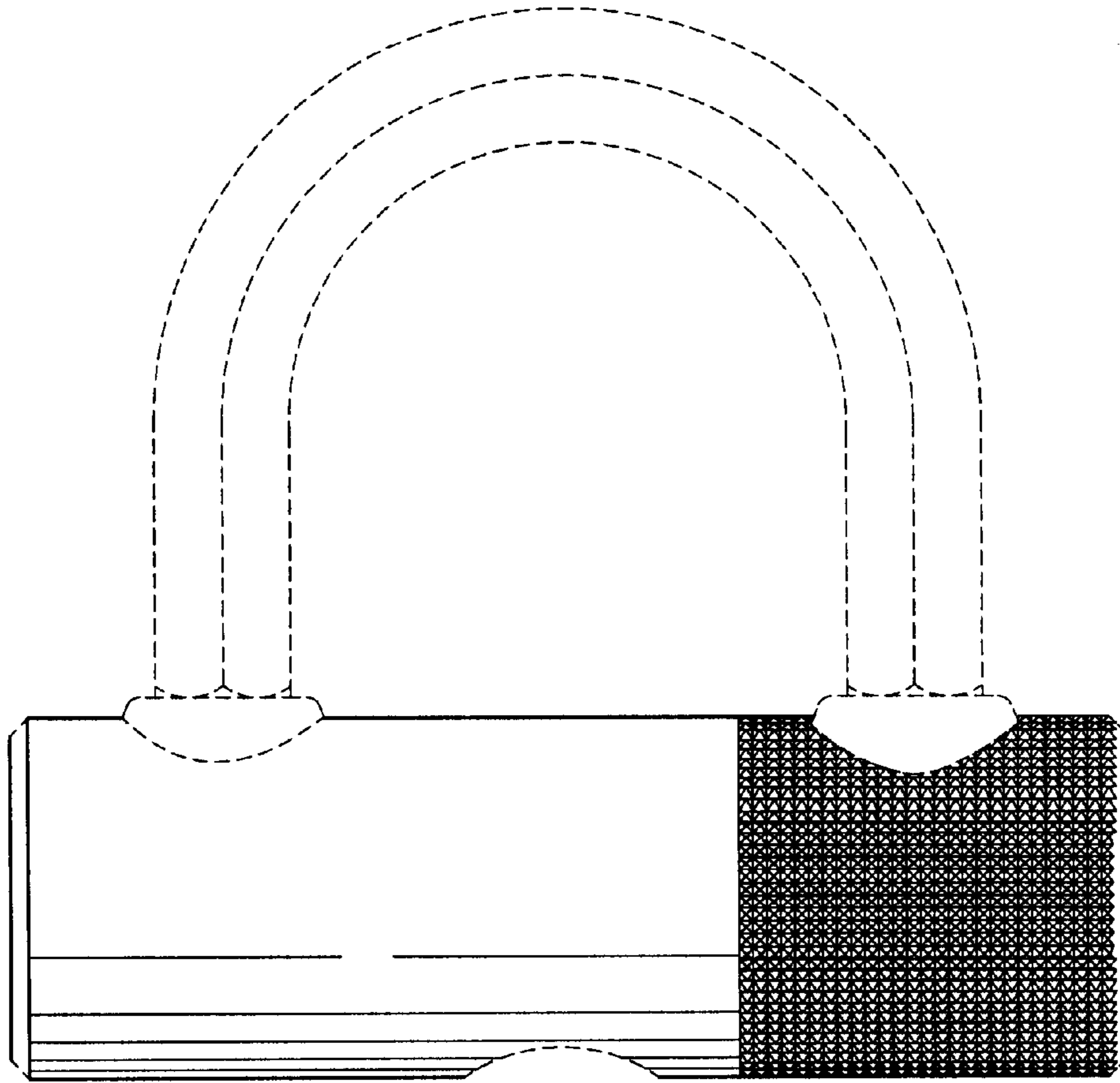


FIG. 2

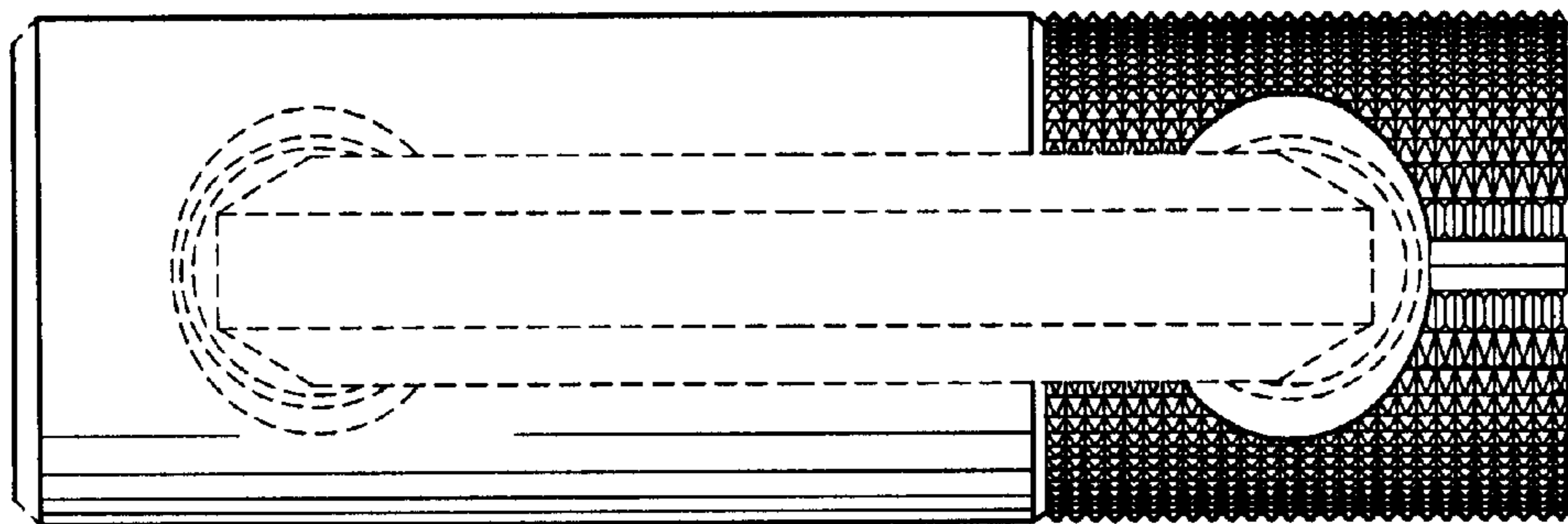


FIG. 3

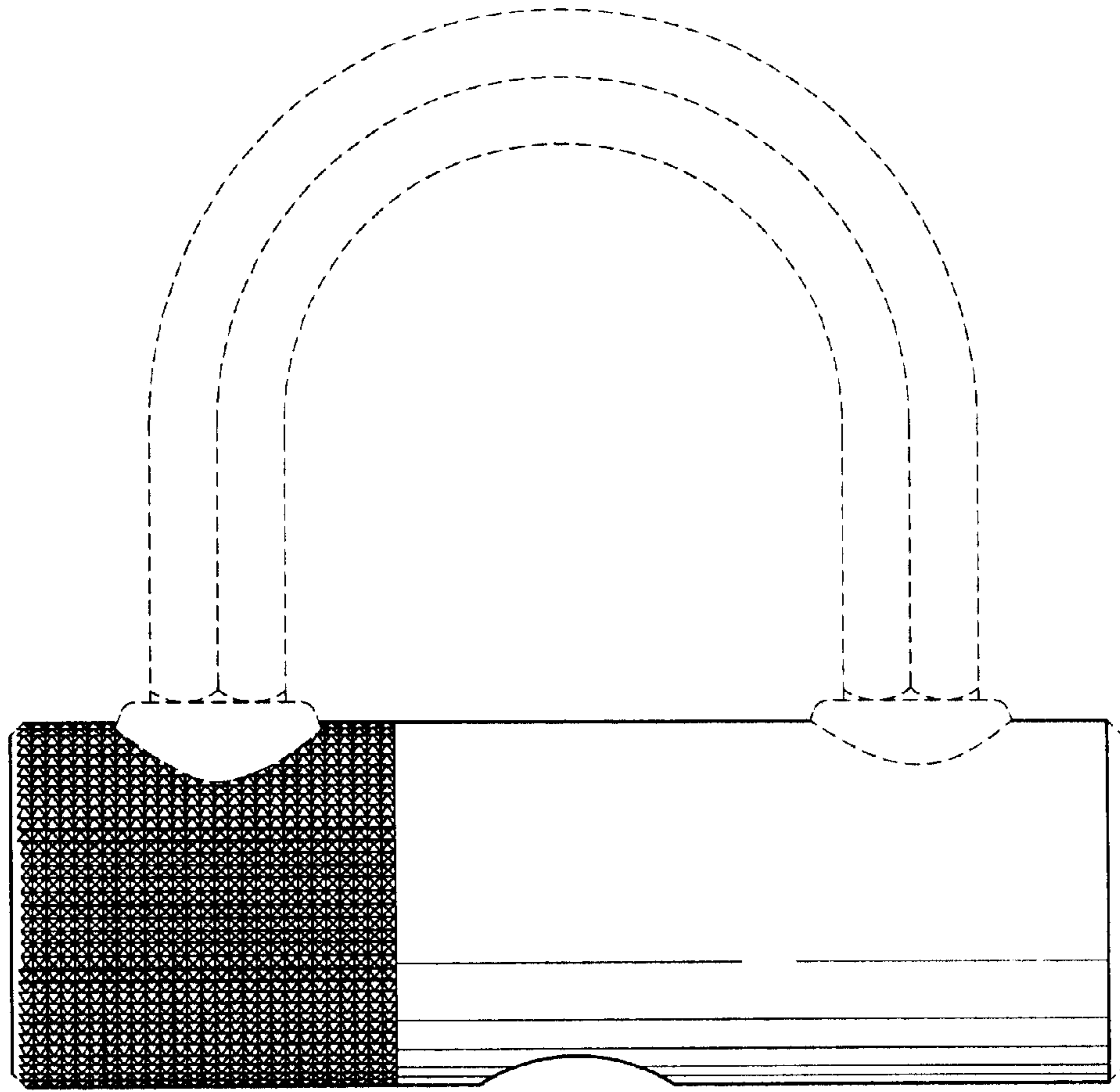


FIG. 4

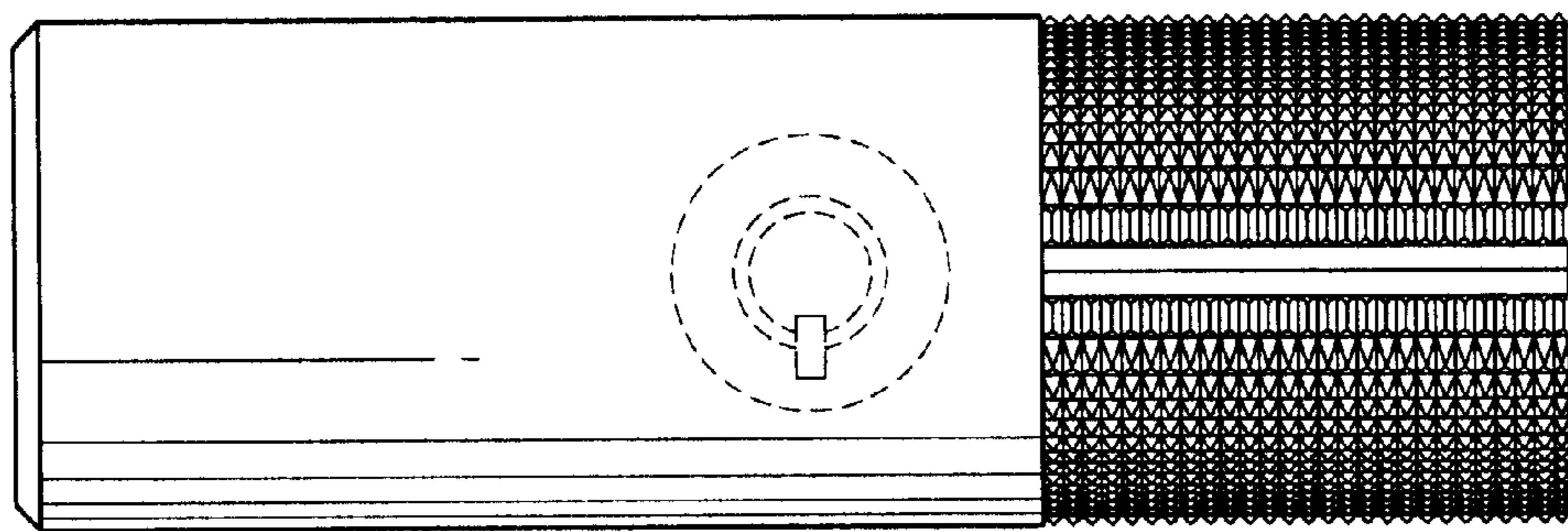


FIG. 5

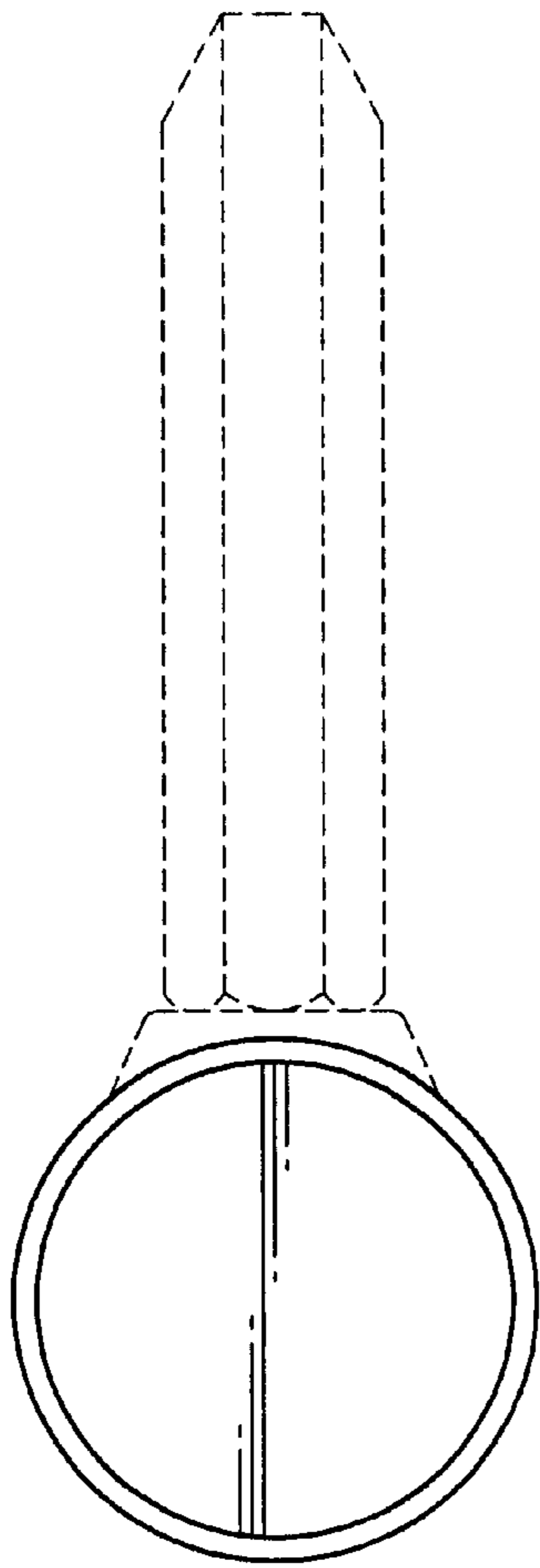


FIG. 6

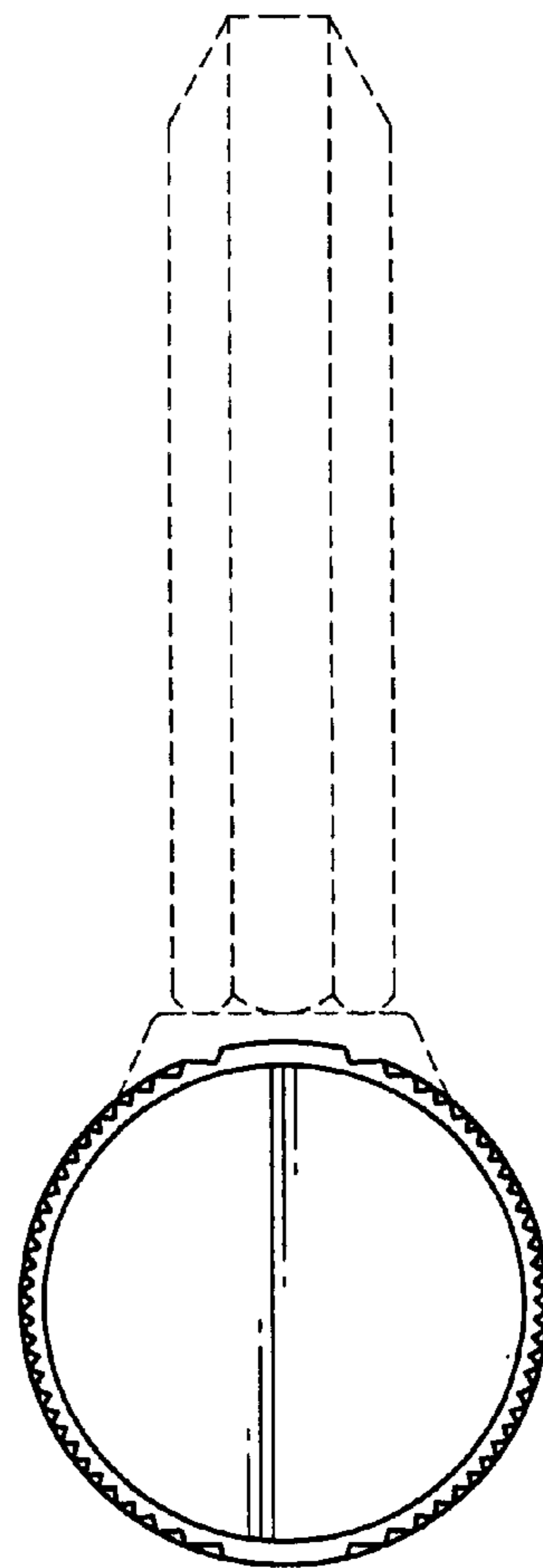


FIG. 7