



US00D533433S

(12) **United States Design Patent** (10) **Patent No.:** **US D533,433 S**  
**Loggen** (45) **Date of Patent:** **\*\* Dec. 12, 2006**

(54) **HINGE**

(75) Inventor: **Jörg Loggen**, Windeck (DE)

(73) Assignee: **KL-Beschläge Karl Loggen GmbH**, Eitorf (DE)

(\*\*) Term: **14 Years**

(21) Appl. No.: **29/223,234**

(22) Filed: **Feb. 10, 2005**

(30) **Foreign Application Priority Data**

Aug. 11, 2004 (DE) ..... 404 04 513  
Aug. 21, 2004 (DE) ..... 404 04 781

(51) **LOC (8) Cl.** ..... **08-06**

(52) **U.S. Cl.** ..... **D8/329; D8/327**

(58) **Field of Classification Search** ..... D8/323,  
D8/324, 325, 326, 327, 328, 329, 349, 354,  
D8/356; 16/234-237, 239-241, 245-246,  
16/249, 254, 261-262, 265, 272, 277, 307,  
16/319, 335, 339, 342, 379, 381-383, 384,  
16/385, 386, 387, 388, 389, 221, DIG. 13,  
16/DIG. 40, DIG. 43, 309, 316; D23/303;  
248/200, 221.11, 300, 309.1, 317; 4/236-240  
See application file for complete search history.

(56) **References Cited**

**U.S. PATENT DOCUMENTS**

375,039	A	*	12/1887	Wright	.....	16/388
880,317	A	*	2/1908	De Marwitz	.....	16/388
2,989,772	A	*	6/1961	Parsons	.....	D8/327
4,823,438	A	*	4/1989	Roloff	.....	16/307
D372,415	S	*	8/1996	Guidotti	.....	D8/327
5,613,276	A	*	3/1997	Franz	.....	16/309
5,867,869	A	*	2/1999	Garrett et al.	.....	16/252
5,867,871	A	*	2/1999	Tasman	.....	16/335
6,161,255	A	*	12/2000	Garrett	.....	16/284
D459,191	S	*	6/2002	Loggen	.....	D8/323
6,560,821	B1	*	5/2003	Miller et al.	.....	16/252
D488,047	S	*	4/2004	Cheng	.....	D8/327
6,776,561	B1	*	8/2004	Yeh	.....	406/33
2002/0116787	A1	*	8/2002	Miller et al.	.....	16/252

**OTHER PUBLICATIONS**

Document titled "Crossover," published 2002, printed from web page www.kl-megla.de.

Document titled "Trendsetter," published 2002, printed from web page www.kl-megla.de.

Copy of a flyer "Chalet PT," published 2002.

Copy of catalogue "Cult," published Apr. 2004.

Copy of the KL-Megla GmbH catalogue, published in 2002.

Copy of catalogue "Hauptkatalog 2003" of the company Creations D. Guidotti, published 2003.

Document titled "Crossover Shower Door Systems Installation Instruction," publication date not known, printed from web page www.Kr-Megla.de believed to be prior to Feb. 10, 2005.

Copy of catalogue "Wellness 1," publication date not known, believed to be prior to Feb. 10, 2005.

Copy of catalogue "Wellness 2," publication date not known, believed to be prior to Feb. 10, 2005.

Flyer of C.R. Laurence Company, publication date not known, believed to be prior to Feb. 10, 2005.

\* cited by examiner

*Primary Examiner*—T. Chase Nelson

(74) *Attorney, Agent, or Firm*—Brouse McDowell; Roger D. Emerson; Timothy D. Bennett

(57) **CLAIM**

The ornamental design for a hinge, as shown and described.

**DESCRIPTION**

FIG. 1 is a perspective view of a hinge according to this invention;

FIG. 2 is a front view of the hinge shown in FIG. 1;

FIG. 3 is a top plan view of the hinge shown in FIG. 1;

FIG. 4 is a left side view of the hinge shown in FIG. 1;

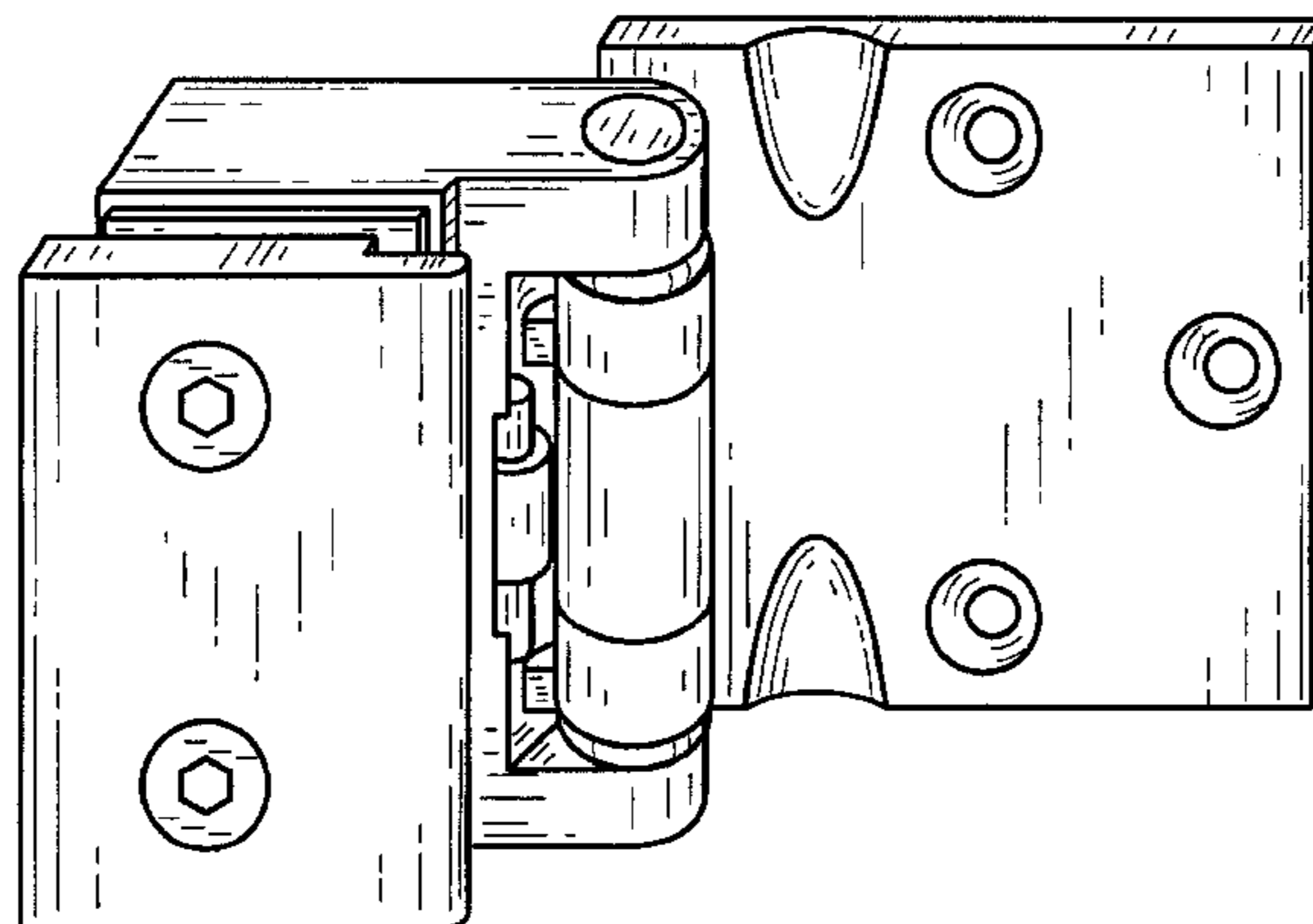
FIG. 5 is a rear view of the hinge shown in FIG. 1;

FIG. 6 is a bottom plan view of the hinge shown in FIG. 1;

and,

FIG. 7 is a right side view of the hinge shown in FIG. 1.

**1 Claim, 3 Drawing Sheets**



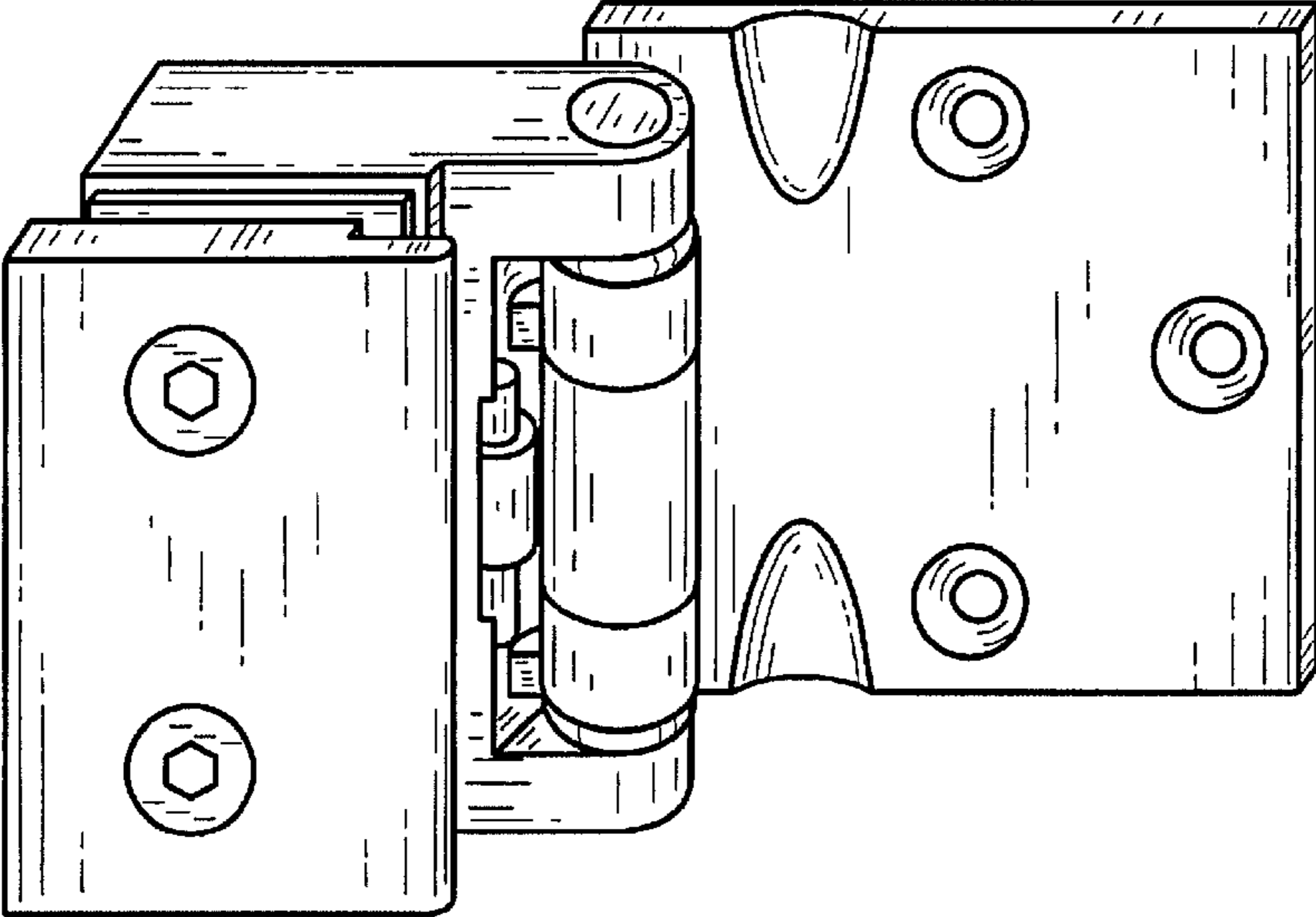
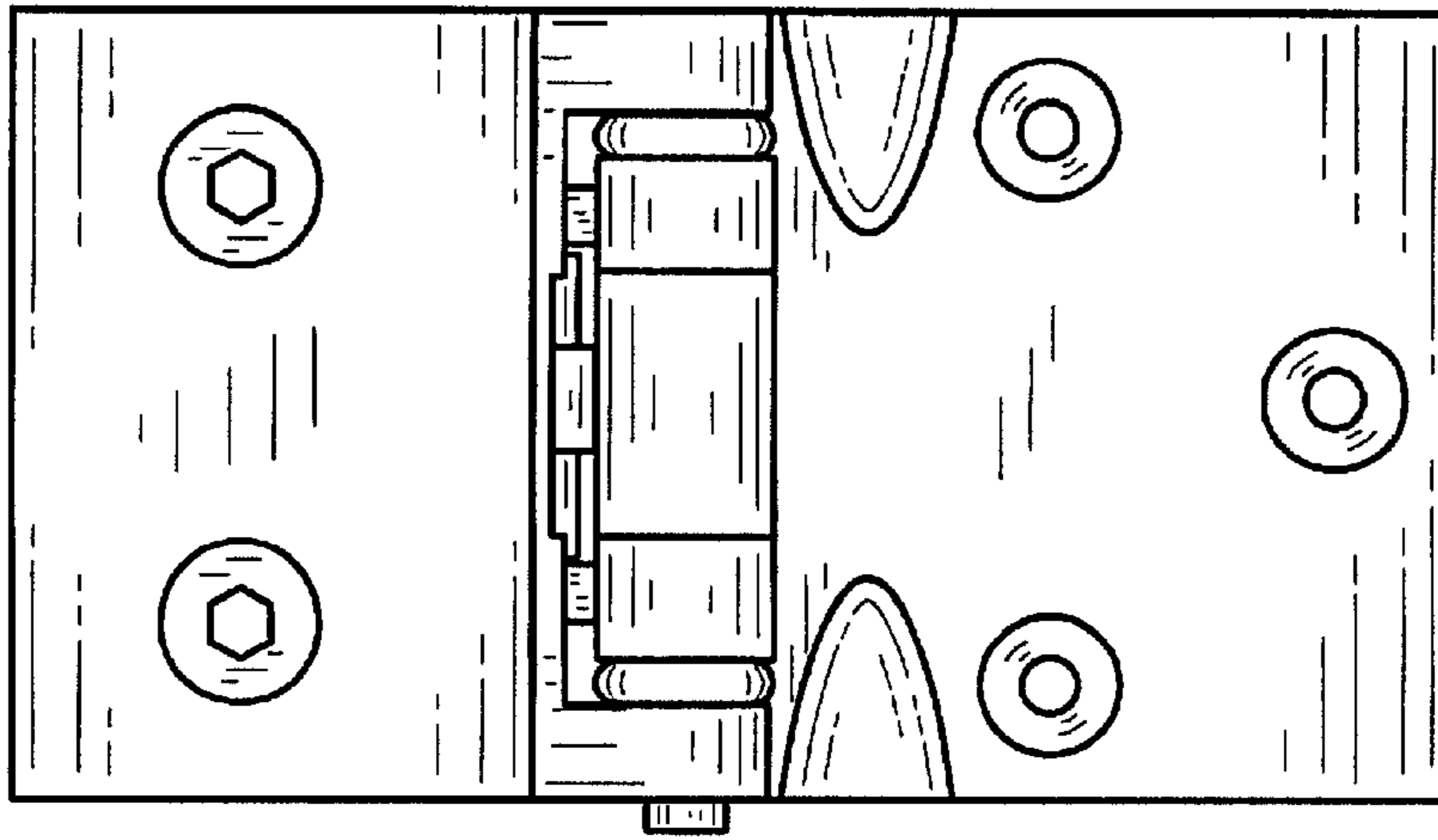
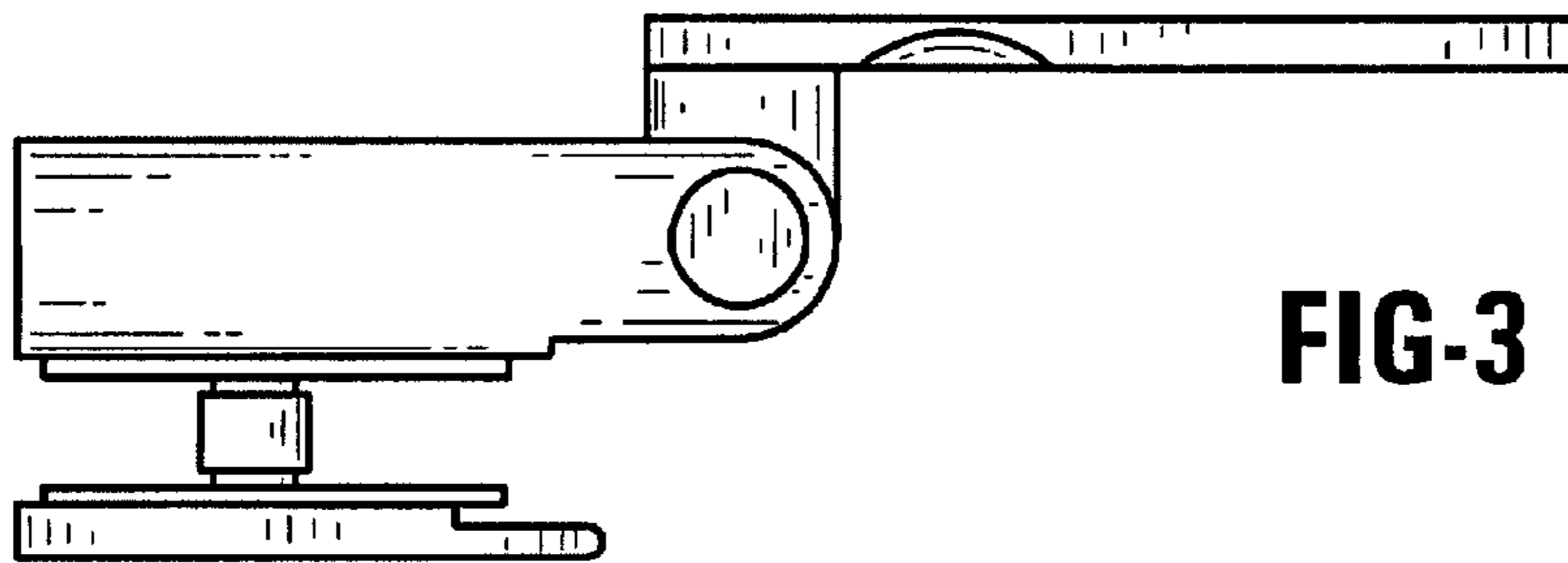


FIG-1

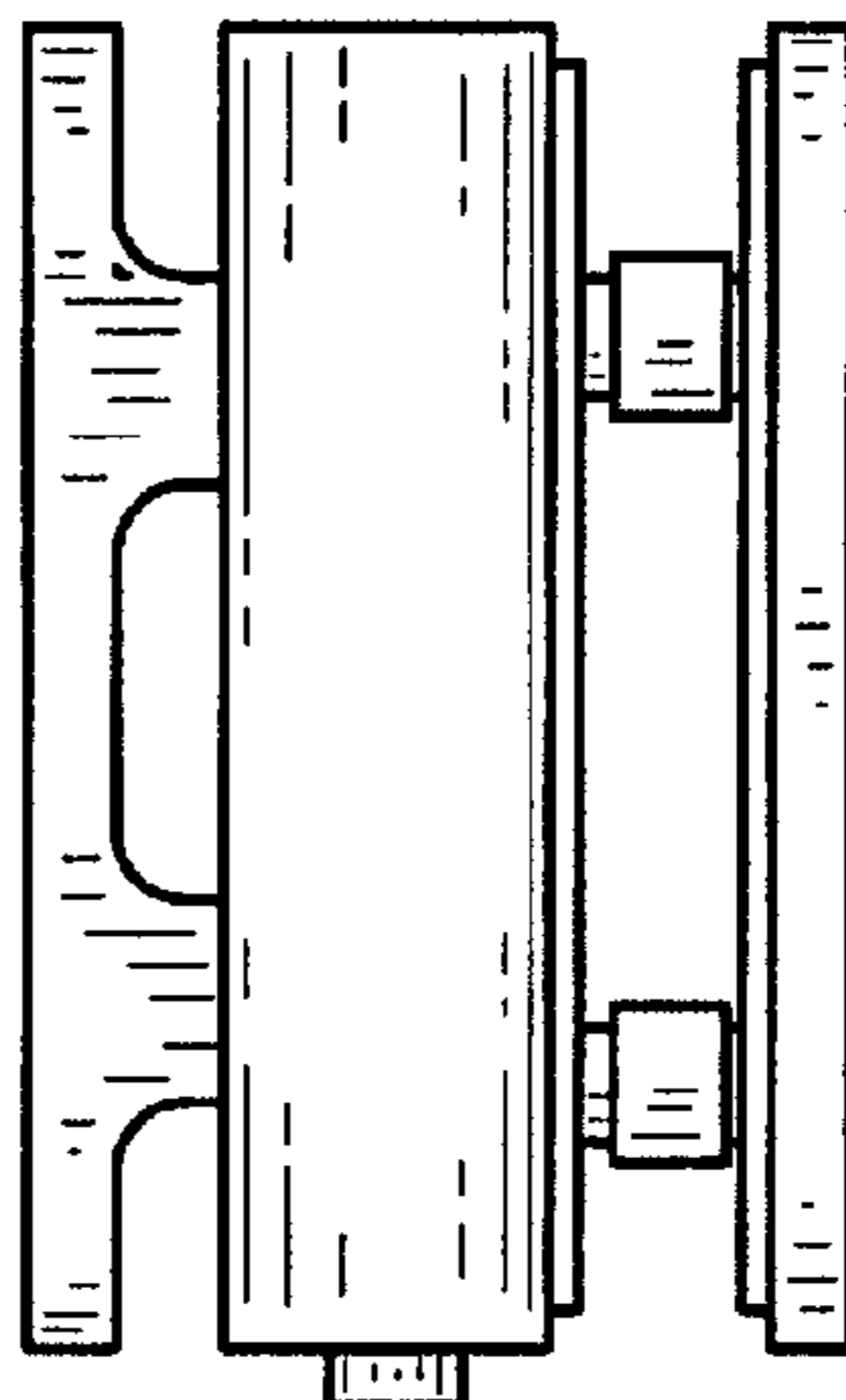
**FIG-2**



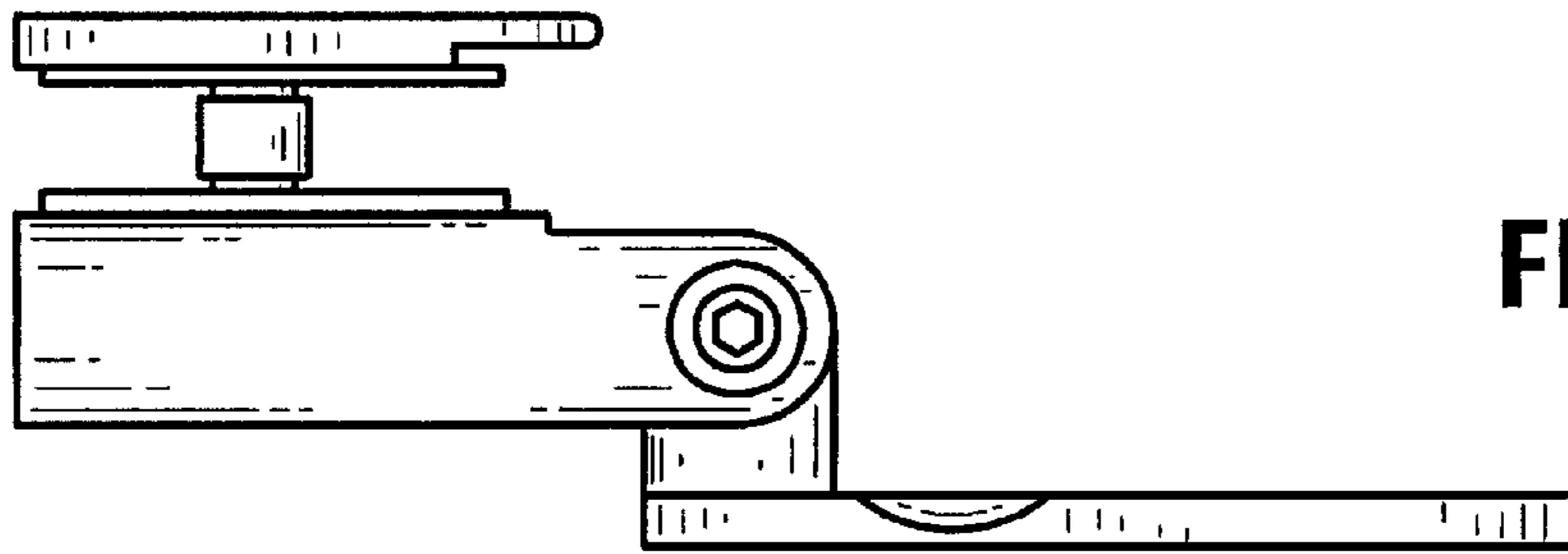
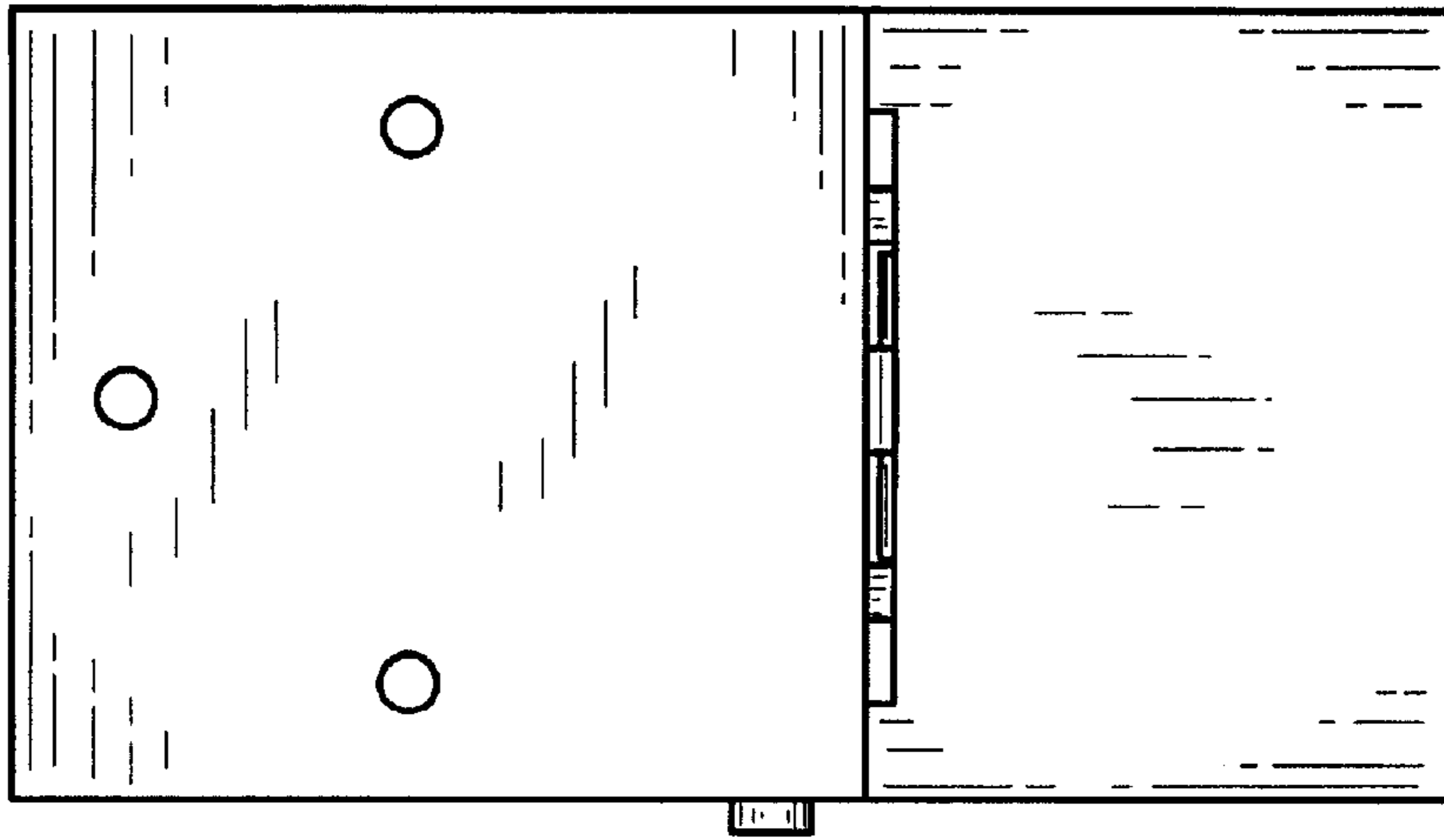
**FIG-3**



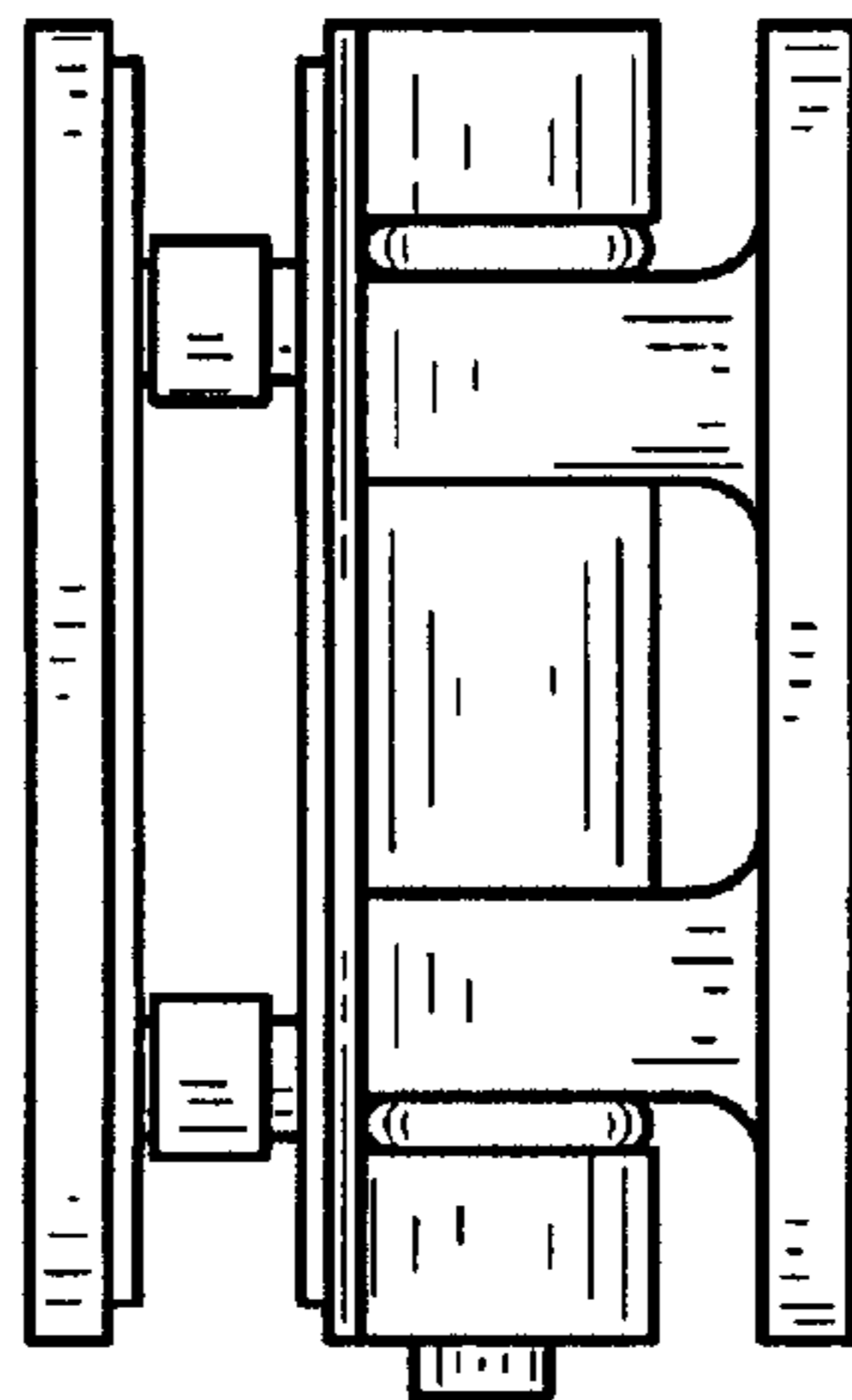
**FIG-4**



**FIG-5**



**FIG-6**



**FIG-7**