



US00D533432S

(12) **United States Design Patent**
Schats et al.

(10) **Patent No.: US D533,432 S**

(45) **Date of Patent: ** Dec. 12, 2006**

(54) **HANDLE**

(75) Inventors: **Mike Schats**, Eindhoven (NL); **Bob DePont**, Dongen (NL); **Pieter Dekker**, Baarland (NL); **Anton Krijnen**, Klundert (NL)

(73) Assignee: **Varco IP, Inc.**, Houston, TX (US)

(**) Term: **14 Years**

(21) Appl. No.: **29/242,331**

(22) Filed: **Sep. 20, 2005**

(51) **LOC (8) Cl.** **08-06**

(52) **U.S. Cl.** **D8/315**

(58) **Field of Classification Search** D8/72,
D8/73, 300, 303, 315, 394, 396; 248/62,
248/74.3, 74.4, 48.2, 229.12, 535; 16/252;
172/240, 413, 600; 294/116

See application file for complete search history.

(56) **References Cited**

U.S. PATENT DOCUMENTS

D193,367 S * 8/1962 Mersereau D8/315

D196,142 S * 8/1963 Storm et al. D8/394
D260,235 S * 8/1981 Anderson et al. D8/394
D350,683 S * 9/1994 Tessman D8/72
6,131,859 A * 10/2000 Giuliano 248/62

* cited by examiner

Primary Examiner—Paula A. Greene

(74) *Attorney, Agent, or Firm*—Guy McClung

(57) **CLAIM**

The ornamental design for a handle, as shown and described.

DESCRIPTION

FIG. 1 is a perspective view of a handle according to the present invention.

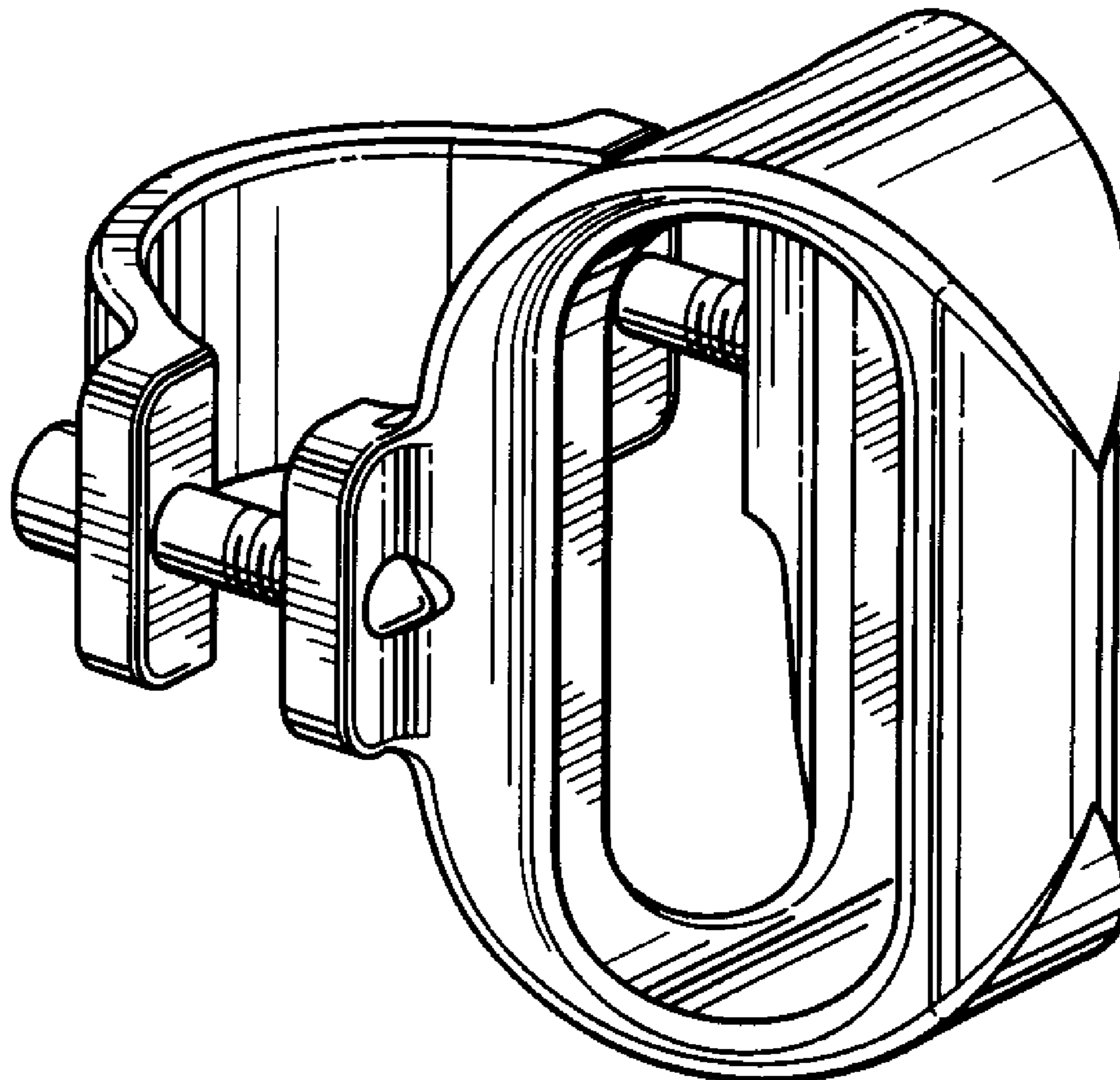
FIG. 2 is a side view of the handle of FIG. 1.

FIG. 3 is a top view of the handle of FIG. 1.

FIG. 4 is a front view of the handle of FIG. 1; and,

FIG. 5 is a rear view of the handle of FIG. 1.

1 Claim, 2 Drawing Sheets



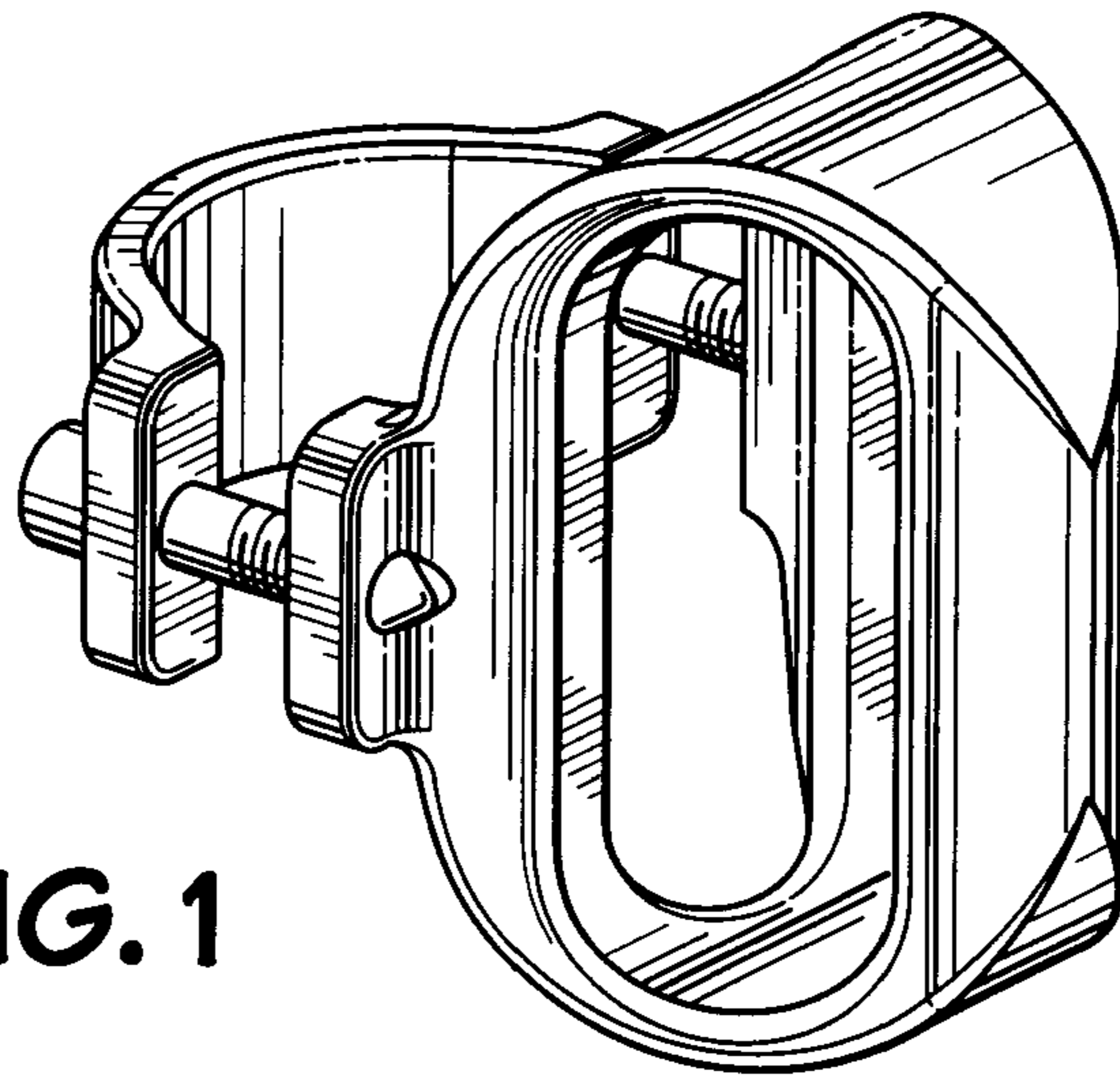


FIG. 1

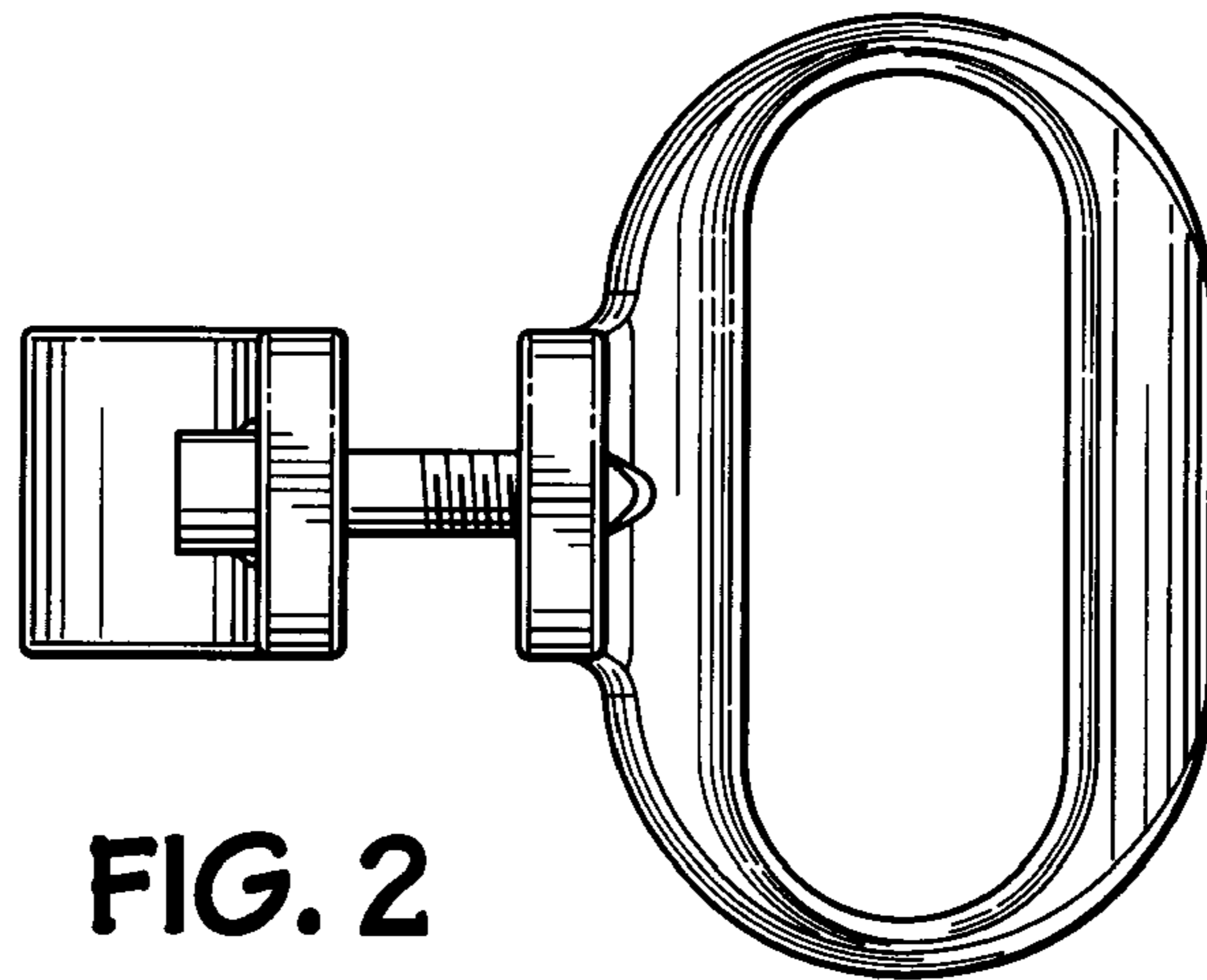


FIG. 2

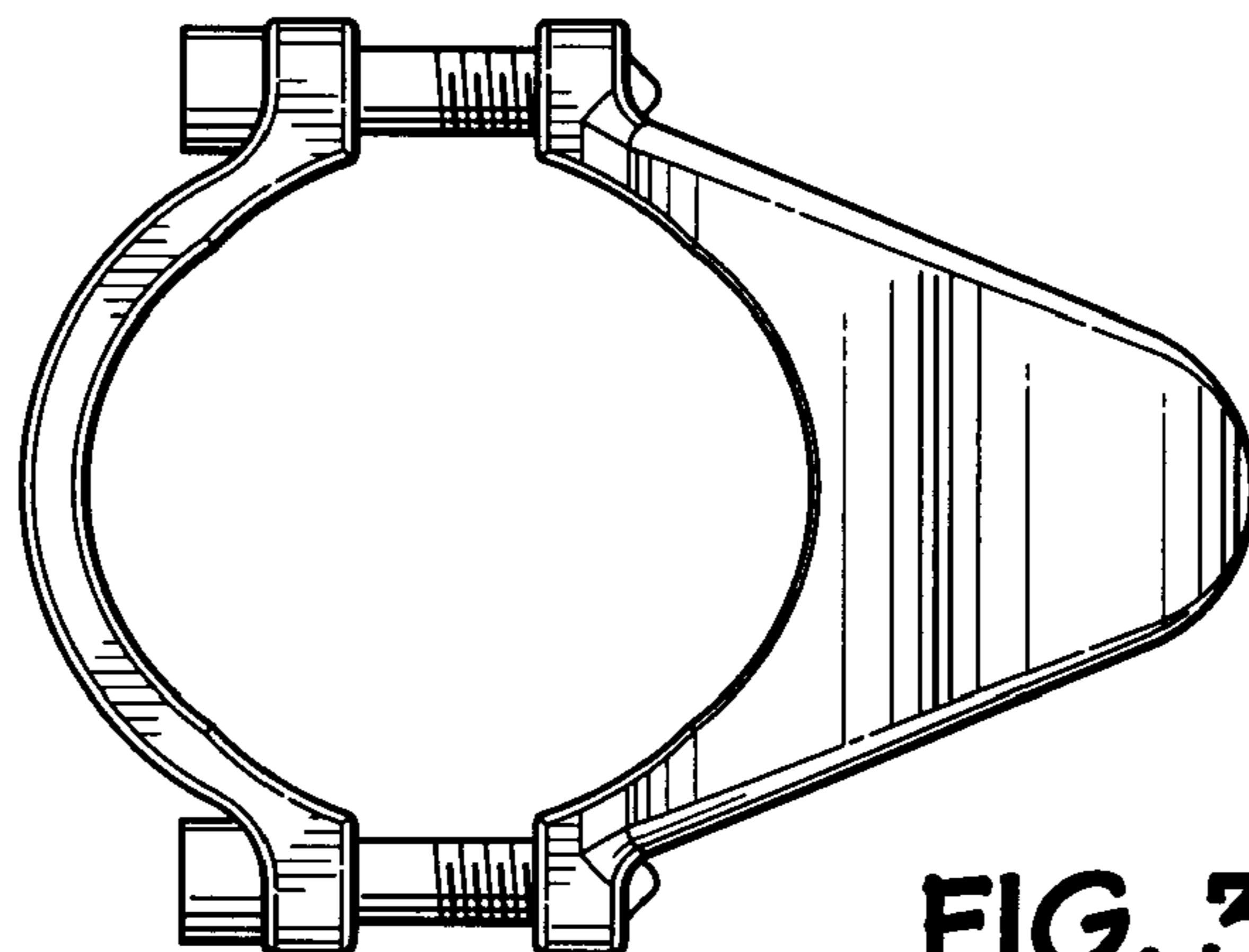


FIG. 3

FIG. 4

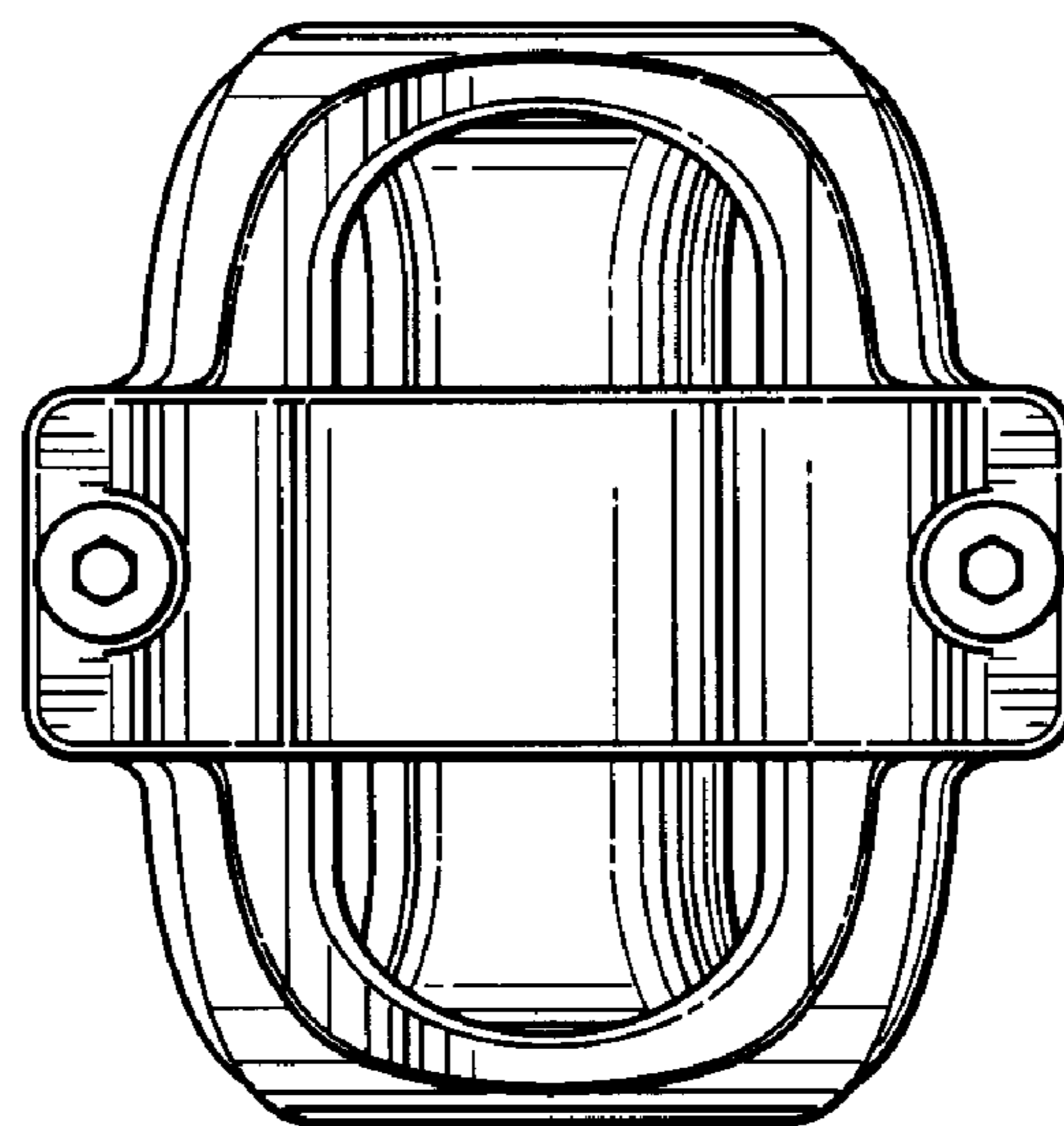
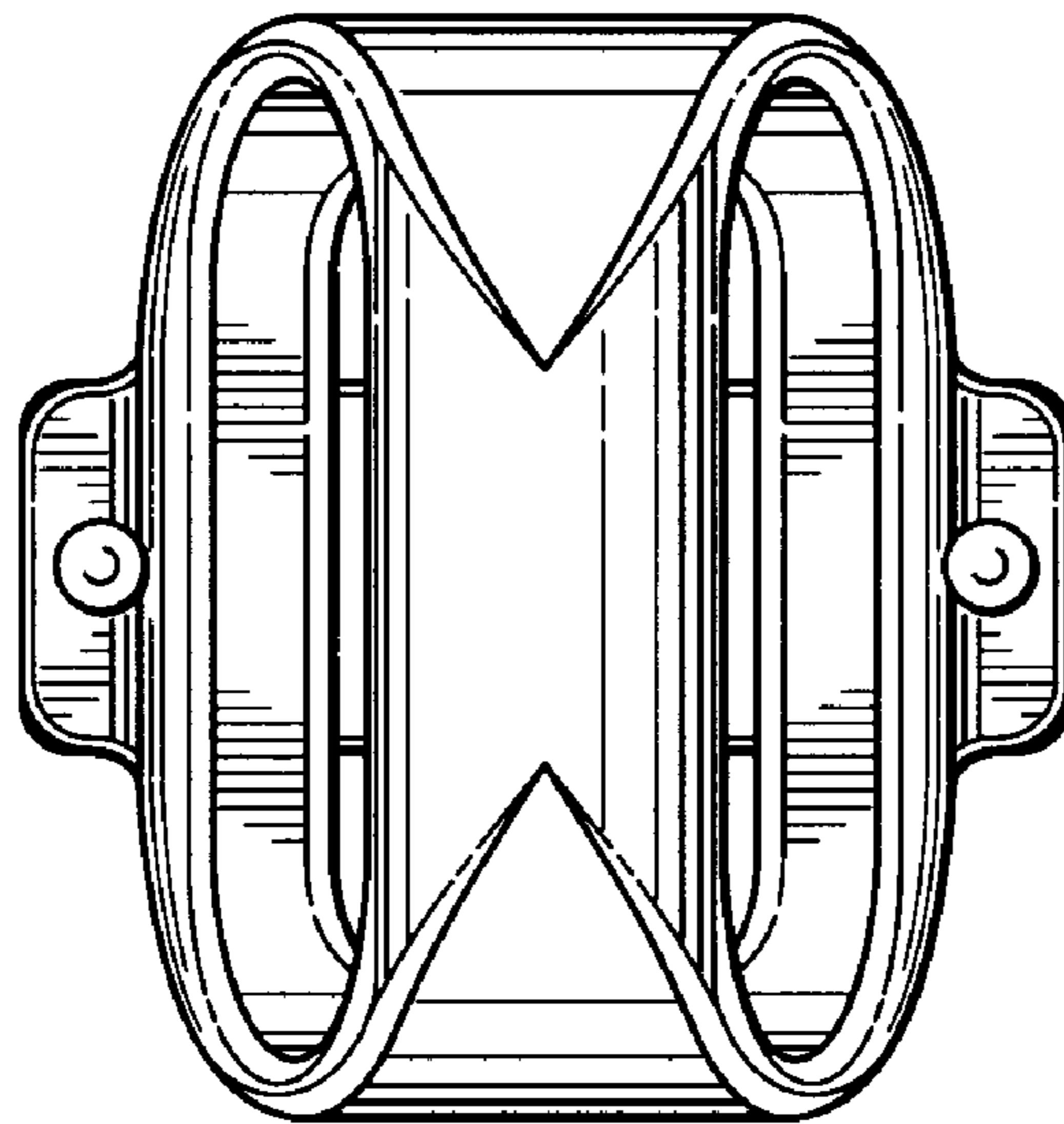


FIG. 5