



US00D533431S

(12) **United States Design Patent**  
**Wang**

(10) **Patent No.:** **US D533,431 S**

(45) **Date of Patent:** **\*\* Dec. 12, 2006**

(54) **ILLUMINANT DOOR HANDLE FOR AN  
AUTOMOBILE**

(75) Inventor: **Ming-Jeng Wang, Yong Ken (TW)**

(73) Assignee: **Yu Lin Enterprise Co., Ltd., Yong  
Ken (TW)**

(\*\*) Term: **14 Years**

(21) Appl. No.: **29/240,258**

(22) Filed: **Oct. 11, 2005**

(51) **LOC (8) Cl.** ..... **08-06**

(52) **U.S. Cl.** ..... **D8/302**

(58) **Field of Classification Search** ..... D8/300-302,  
D8/308, 315-320, 322, 353; 16/112, 125,  
16/444, 436; 70/210, 423; 292/336.3, 347,  
292/348, DIG. 37, DIG. 53; 362/295, 311,  
362/399, 206, 490, 501; 296/215

See application file for complete search history.

(56) **References Cited**

**U.S. PATENT DOCUMENTS**

D292,063 S \* 9/1987 Hill ..... D8/302  
4,883,296 A \* 11/1989 Laurie ..... 292/336.3  
6,059,329 A \* 5/2000 Spitzley ..... 292/336.3

D431,445 S \* 10/2000 Short ..... D8/316  
6,401,302 B1 \* 6/2002 Josserand et al. .... 16/444  
6,523,888 B1 \* 2/2003 Yan et al. .... 296/215  
6,719,336 B1 \* 4/2004 Sato ..... 292/336.3  
D495,942 S \* 9/2004 Ramos et al. .... D8/308  
D512,626 S \* 12/2005 Elwell et al. .... D8/315

\* cited by examiner

*Primary Examiner*—Paula A. Greene

(74) *Attorney, Agent, or Firm*—Alan D. Kamrath; Nikolai  
& Mersereau, P.A.

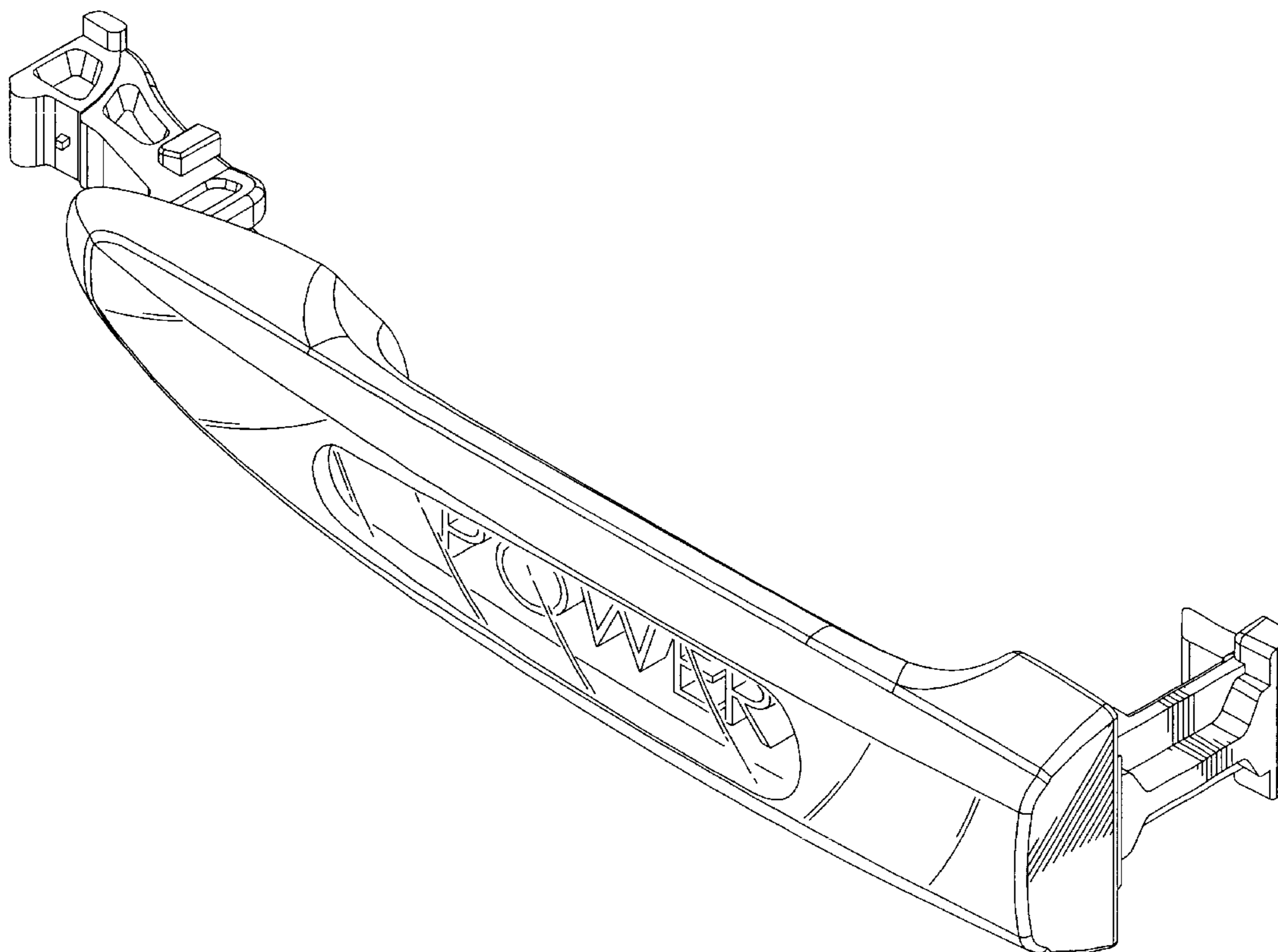
(57) **CLAIM**

The ornamental design for a illuminant door handle for an  
automobile, as shown and described.

**DESCRIPTION**

FIG. 1 is a perspective view of a illuminant door handle for  
an automobile showing my design;  
FIG. 2 is a front elevational view thereof;  
FIG. 3 is a rear elevational view thereof;  
FIG. 4 is a left side elevational view thereof;  
FIG. 5 is a right side elevational view thereof;  
FIG. 6 is a top plan view thereof; and,  
FIG. 7 is a bottom plan view thereof.

**1 Claim, 6 Drawing Sheets**



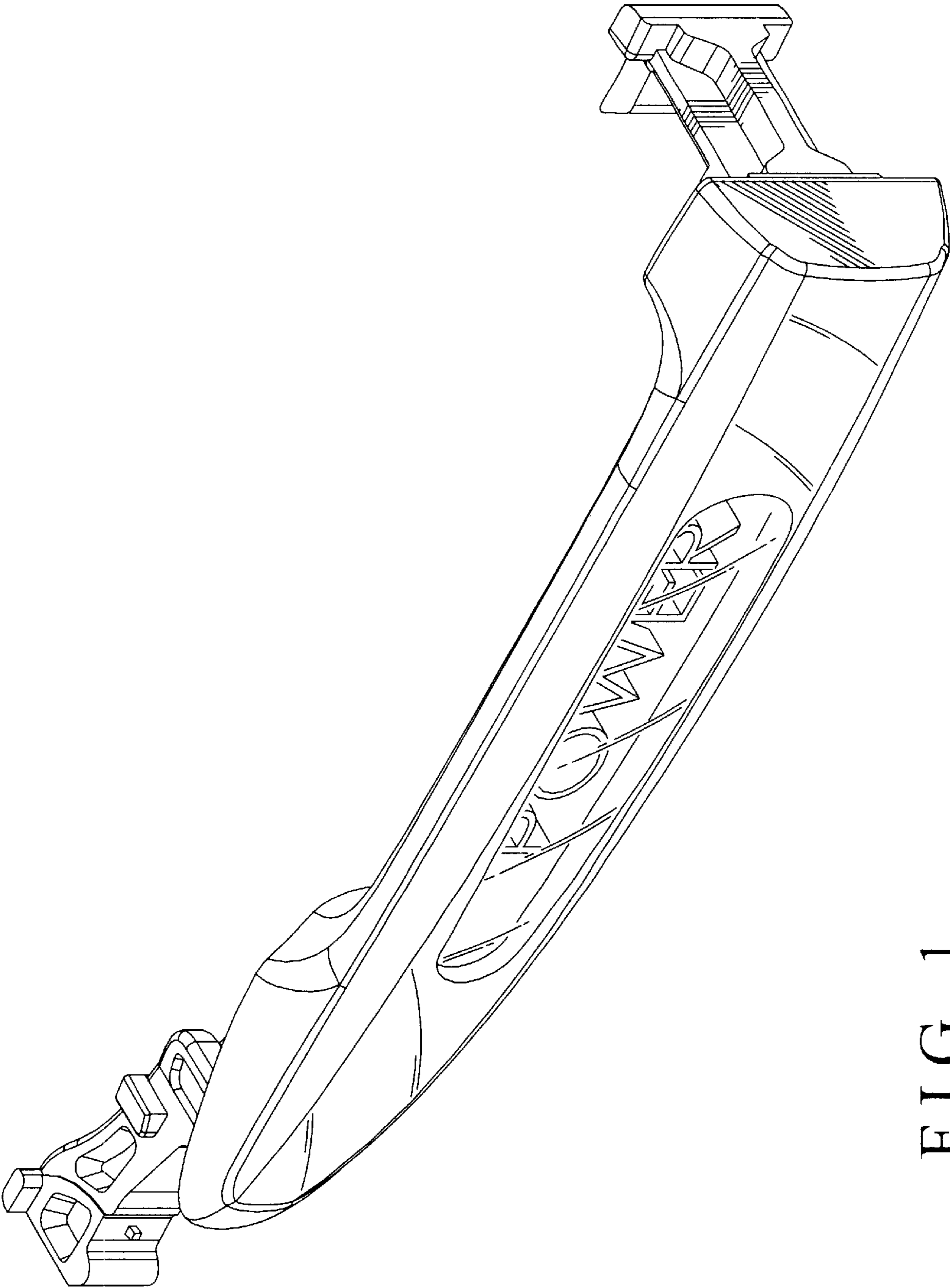


FIG. 1

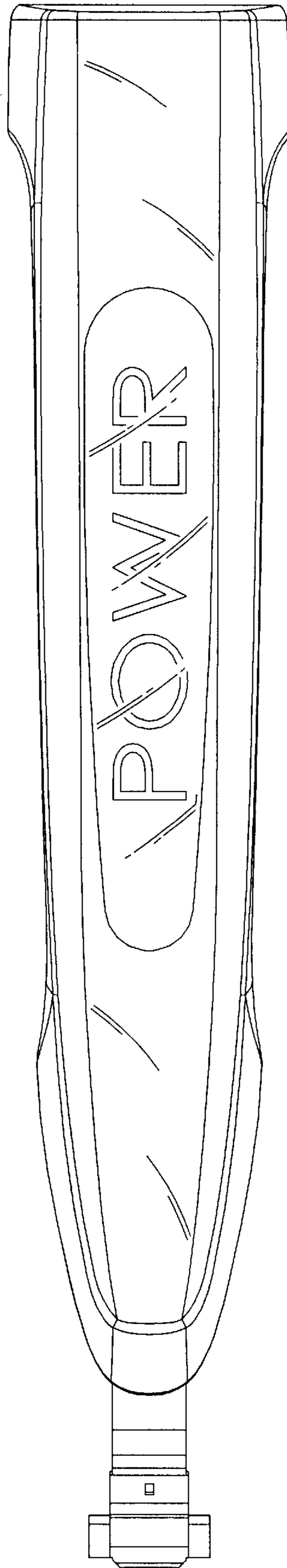


FIG. 2

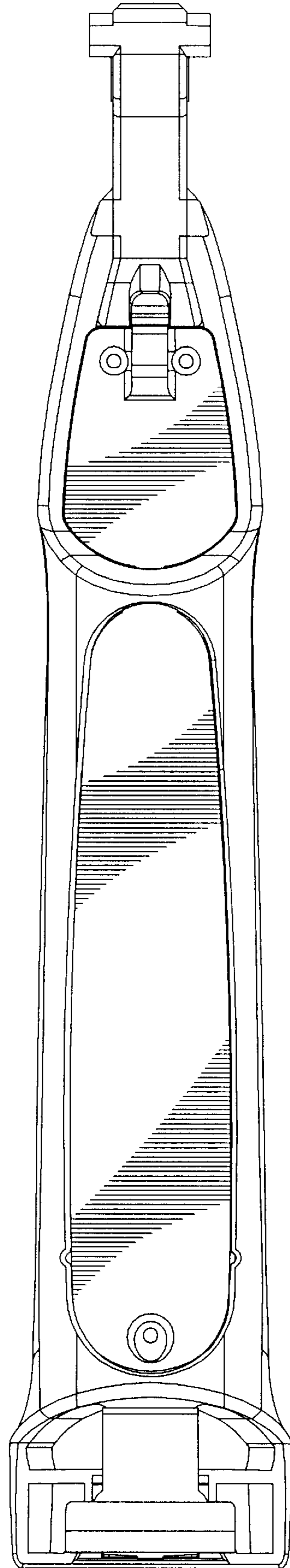


FIG. 3

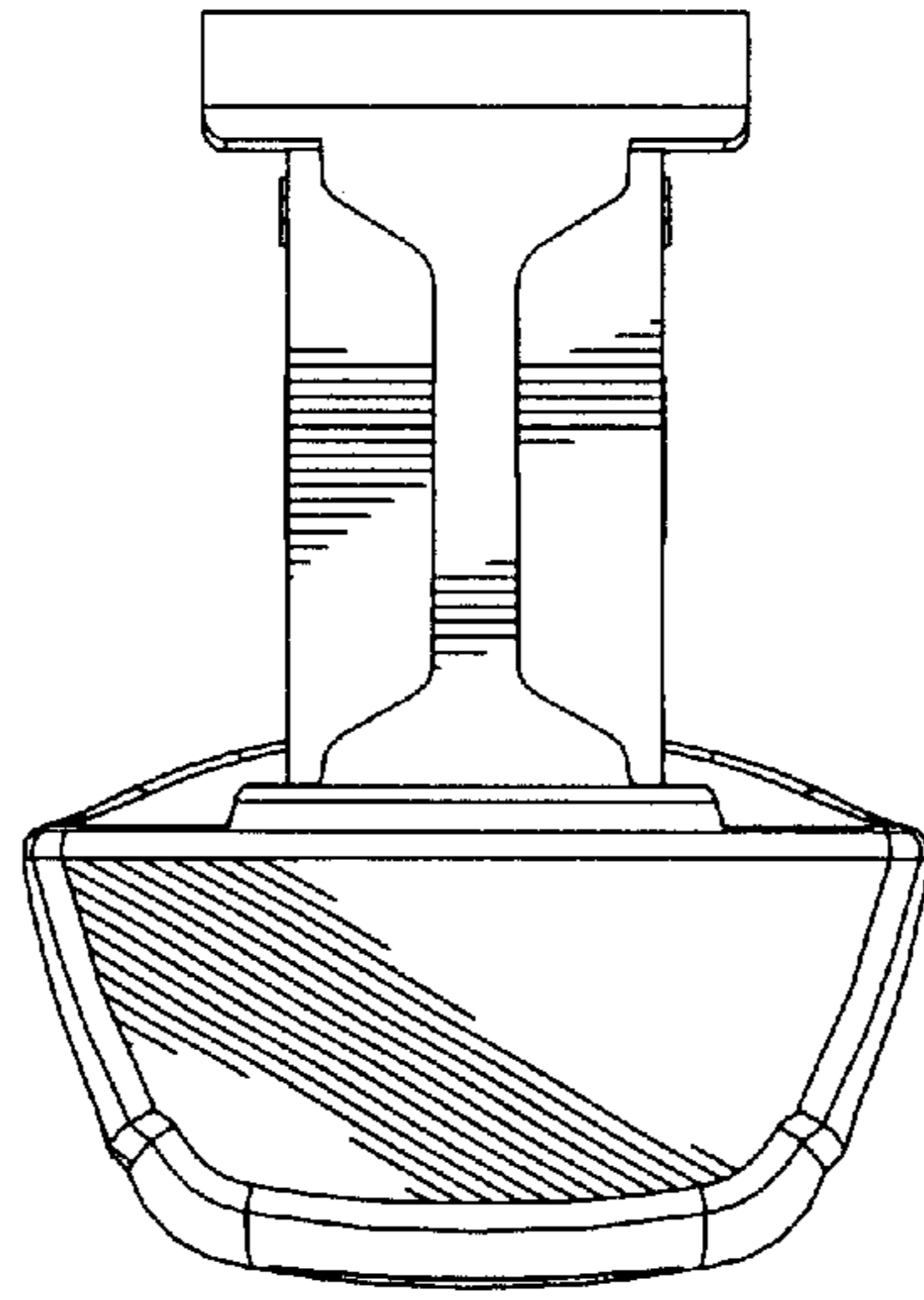


FIG. 5

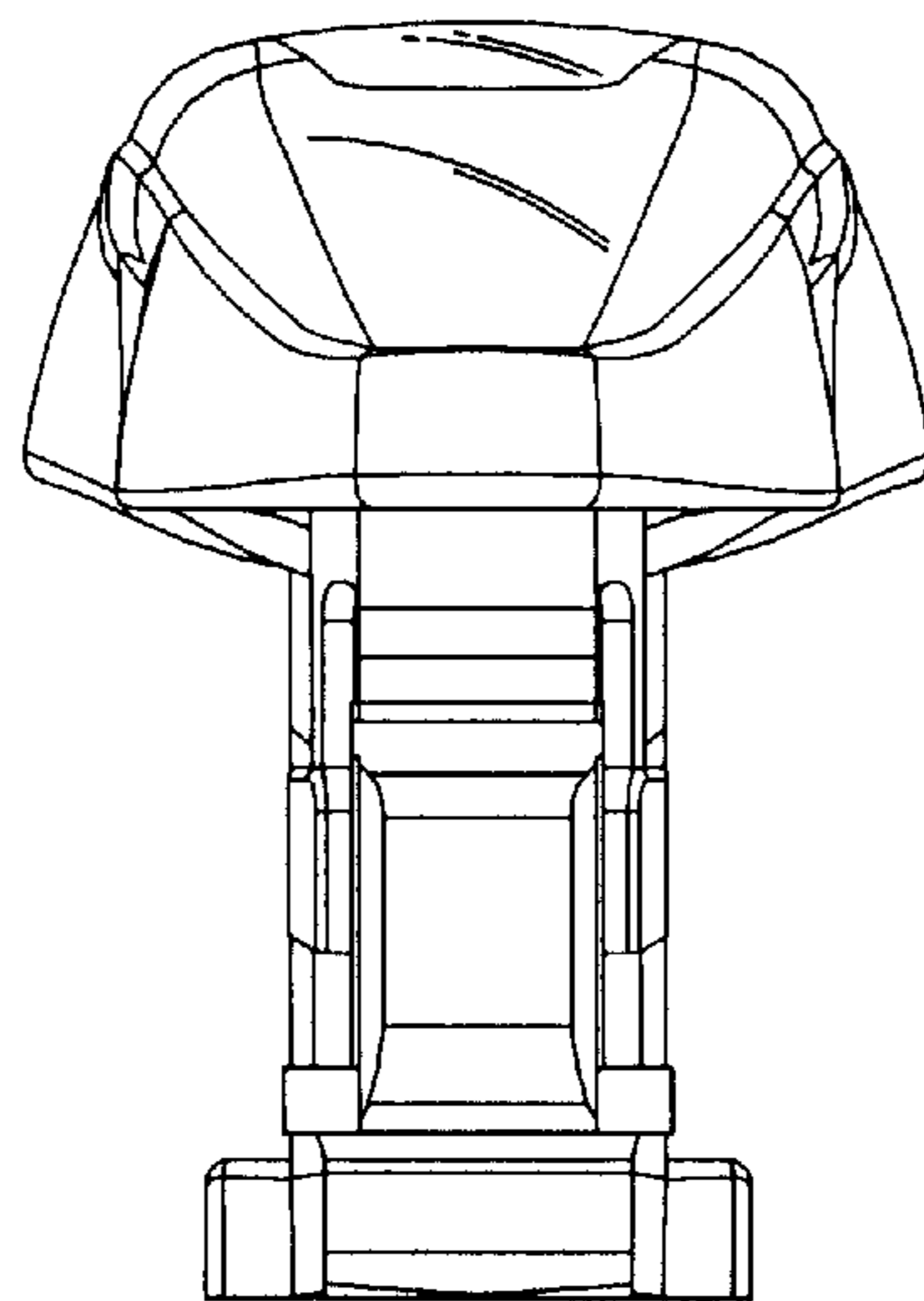


FIG. 4



FIG. 6



FIG. 7