



US00D533430S

(12) **United States Design Patent**  
**Norris et al.**

(10) **Patent No.:** **US D533,430 S**  
(45) **Date of Patent:** **\*\* Dec. 12, 2006**

(54) **SLIDER PULL**

(76) Inventors: **Victoria A. Norris**, P.O. Box 1204,  
Sherwood, OR (US) 97140; **Trevor P. Norris**, P.O. Box 1204, Sherwood, OR  
(US) 97140

(\*\*) Term: **14 Years**

(21) Appl. No.: **29/238,458**

(22) Filed: **Sep. 14, 2005**

(51) **LOC (8) Cl.** ..... **08-06**

(52) **U.S. Cl.** ..... **D8/300**

(58) **Field of Classification Search** ..... D8/300,  
D8/301, 302, 308, 310, 316, 317-320, 350,  
D8/DIG. 1; D23/254; D2/641; D11/200,  
D11/221; 223/111; 24/429, 431, 423, 415,  
24/419, 580.1

See application file for complete search history.

(56) **References Cited**

**U.S. PATENT DOCUMENTS**

2,299,846	A	*	10/1942	Poux	.....	24/431
D140,683	S	*	3/1945	Alveson	.....	D11/221
5,187,842	A	*	2/1993	Akashi et al.	.....	24/431
D518,354	S	*	4/2006	Veltz	.....	D8/302

\* cited by examiner

*Primary Examiner*—Paula A. Greene

(74) *Attorney, Agent, or Firm*—Ipsolon LLP

(57) **CLAIM**

We claim the ornamental design for a slider pull, as shown and described.

**DESCRIPTION**

FIG. 1 is a bottom, right, front perspective view of a first embodiment of the slider pull;

FIG. 2 is top side elevation view thereof;

FIG. 3 is a front elevation view thereof;

FIG. 4 is a bottom side elevation view thereof;

FIG. 5 is a left side elevation view thereof, the right side elevation view being a mirror image thereof;

FIG. 6 is a back elevation view thereof;

FIG. 7 is a bottom, right, front perspective view of a second embodiment of the slider pull;

FIG. 8 is top side elevation view of the second embodiment thereof;

FIG. 9 is a front elevation view of the second embodiment thereof;

FIG. 10 is a bottom side elevation view of the second embodiment thereof;

FIG. 11 is a left side elevation view of the second embodiment thereof; the right side elevation view being a mirror image thereof;

FIG. 12 is a back elevation view of the second embodiment thereof;

FIG. 13 is a bottom, right, front perspective view of a third embodiment of the slider pull;

FIG. 14 is top side elevation view of the third embodiment thereof;

FIG. 15 is a front elevation view of the third embodiment thereof;

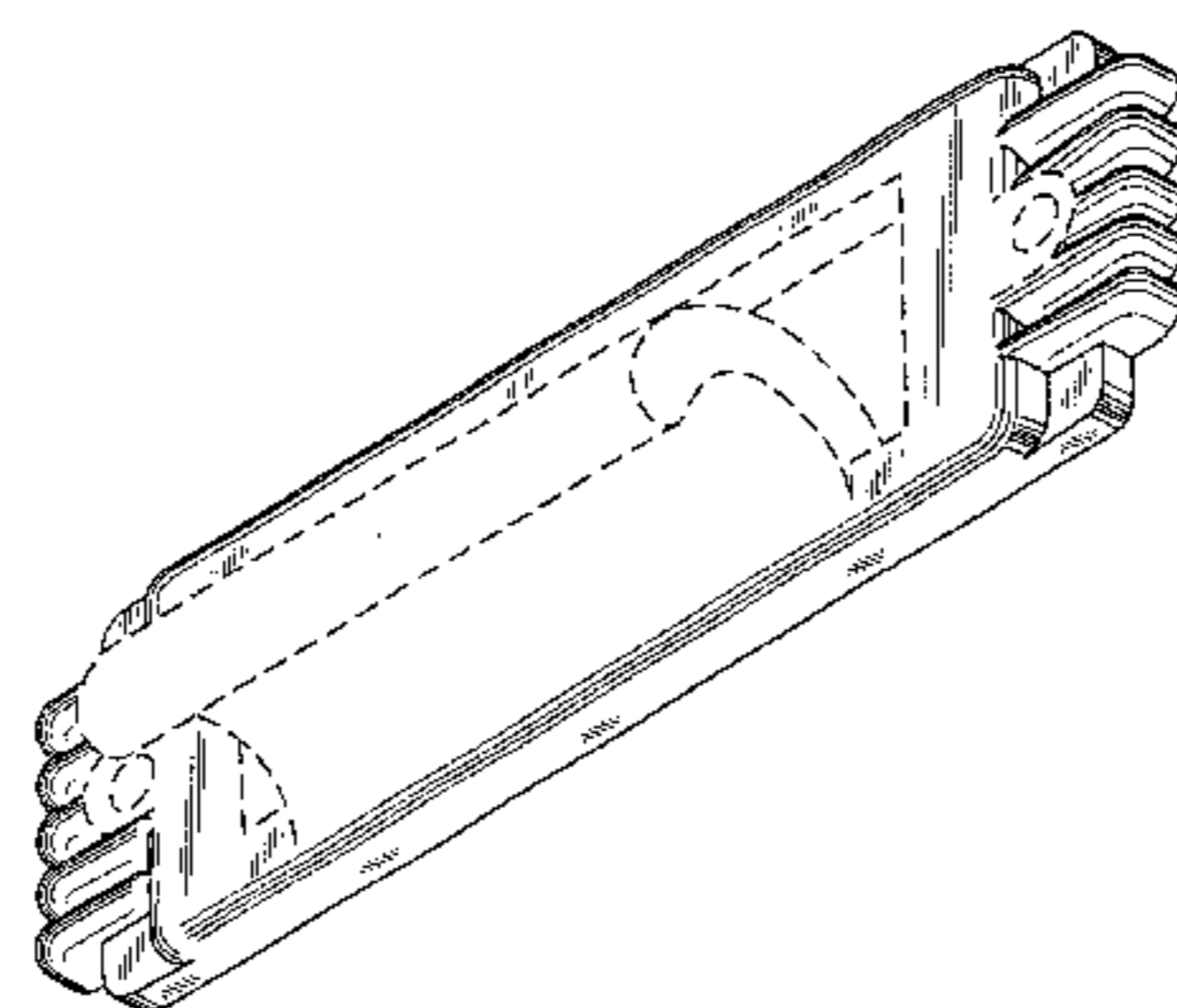
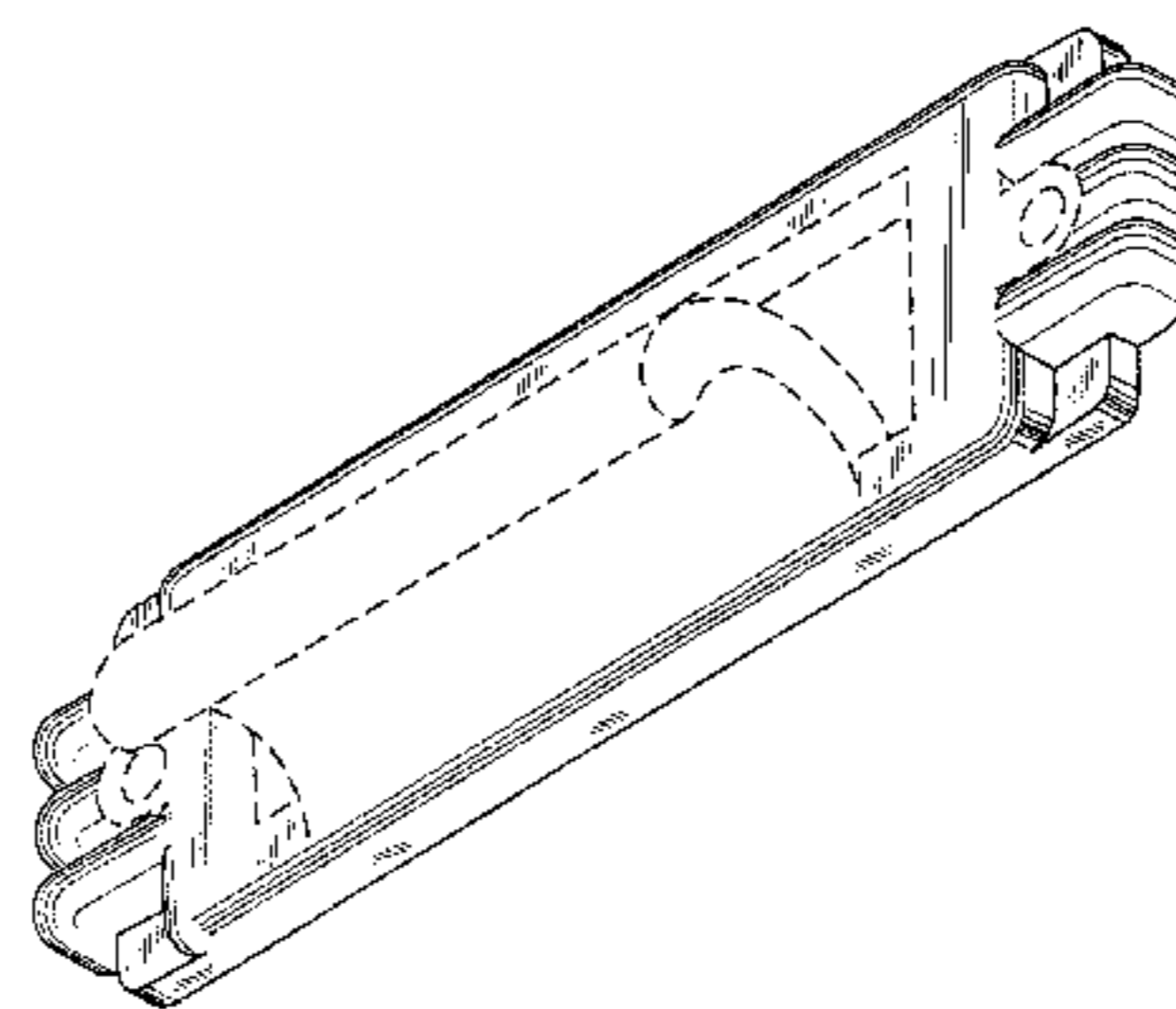
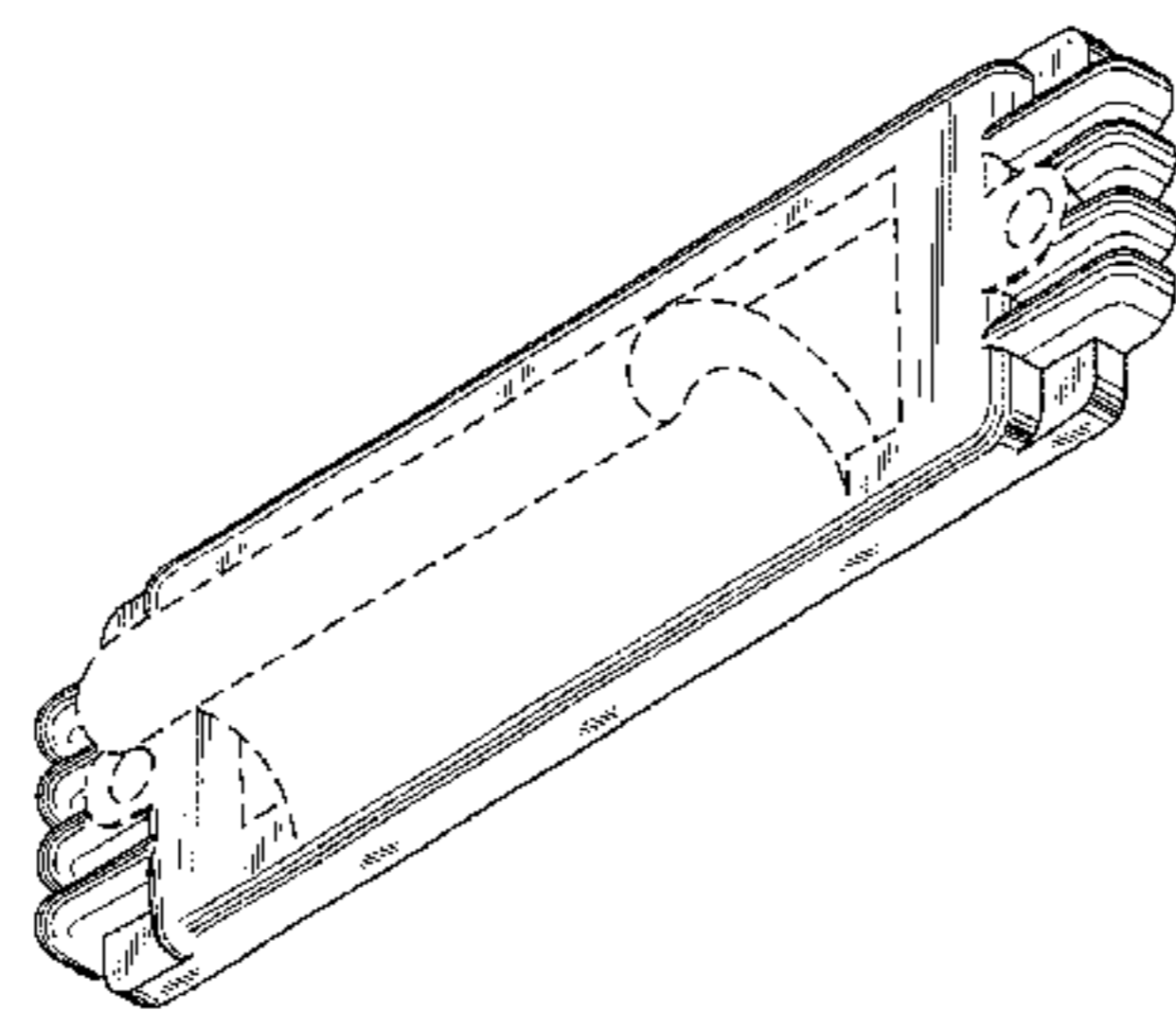
FIG. 16 is a bottom side elevation view of the third embodiment thereof;

FIG. 17 is a left side elevation view of the third embodiment thereof; the right side elevation view being a mirror image thereof; and,

FIG. 18 is a back elevation view of the third embodiment thereof.

The broken lines are for illustrative purpose only and form no part of the claimed design.

**1 Claim, 3 Drawing Sheets**



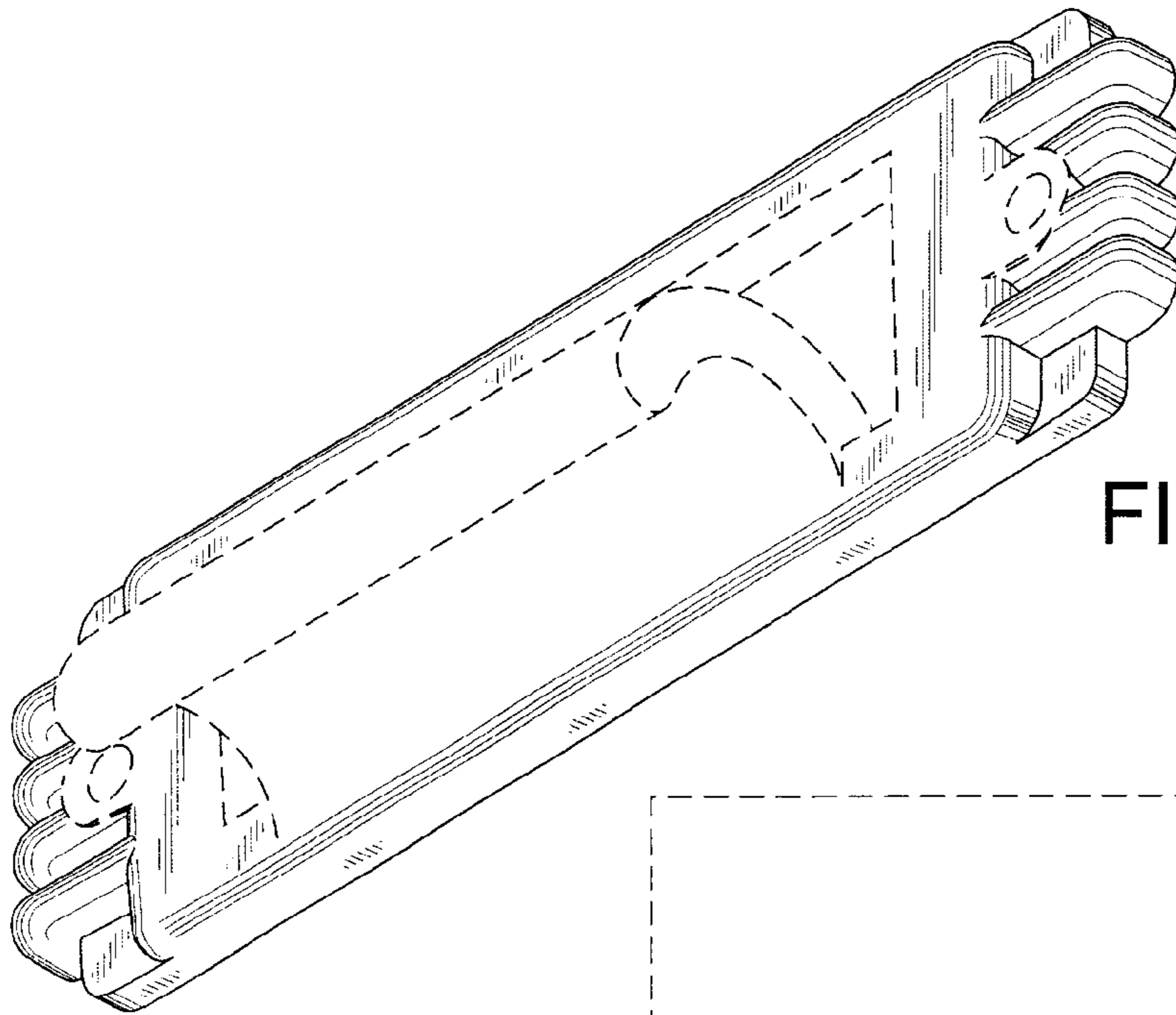


FIG. 1

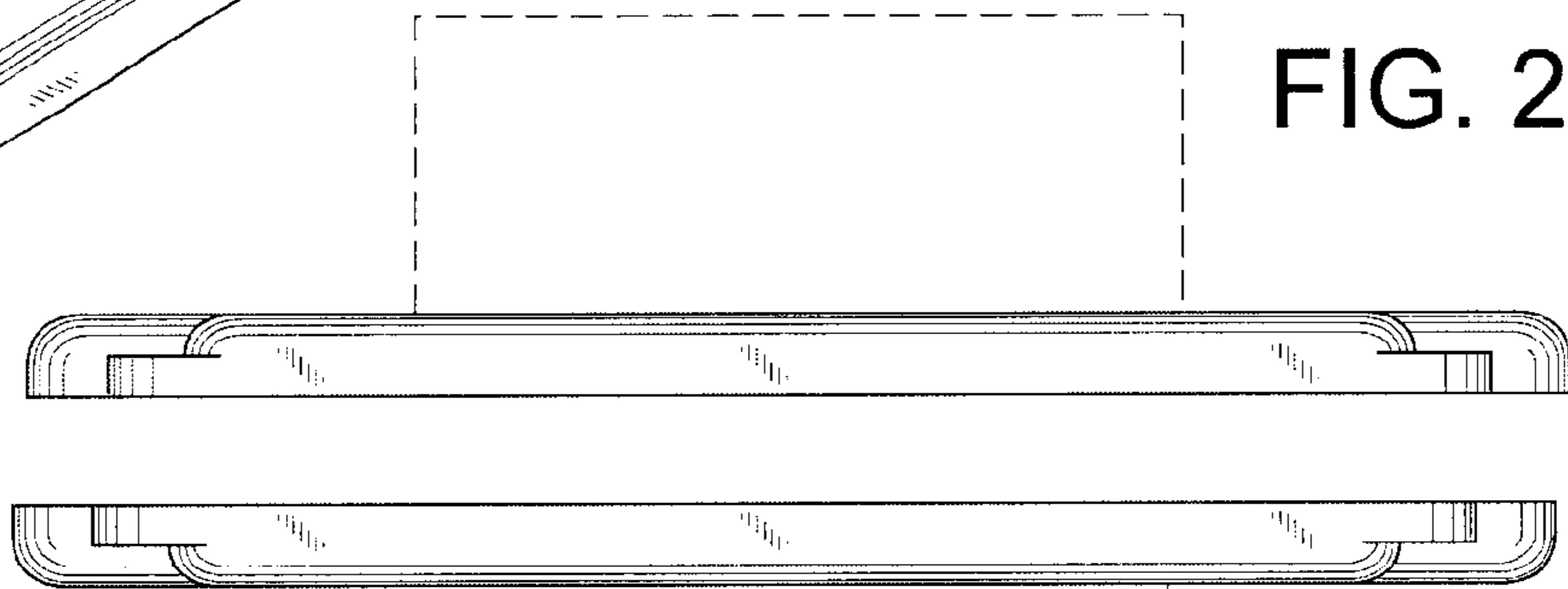


FIG. 2

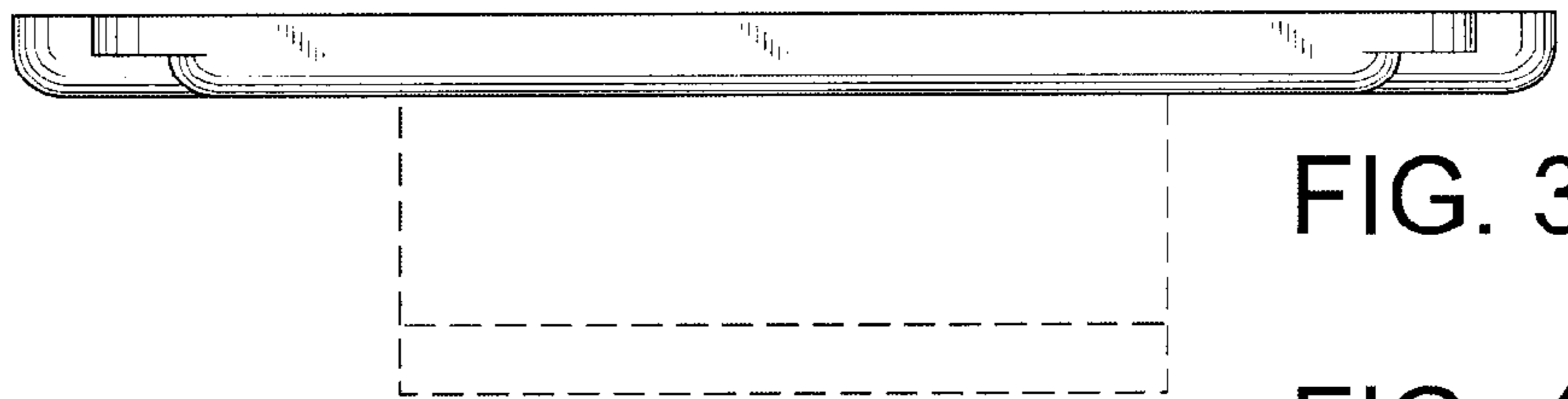


FIG. 3

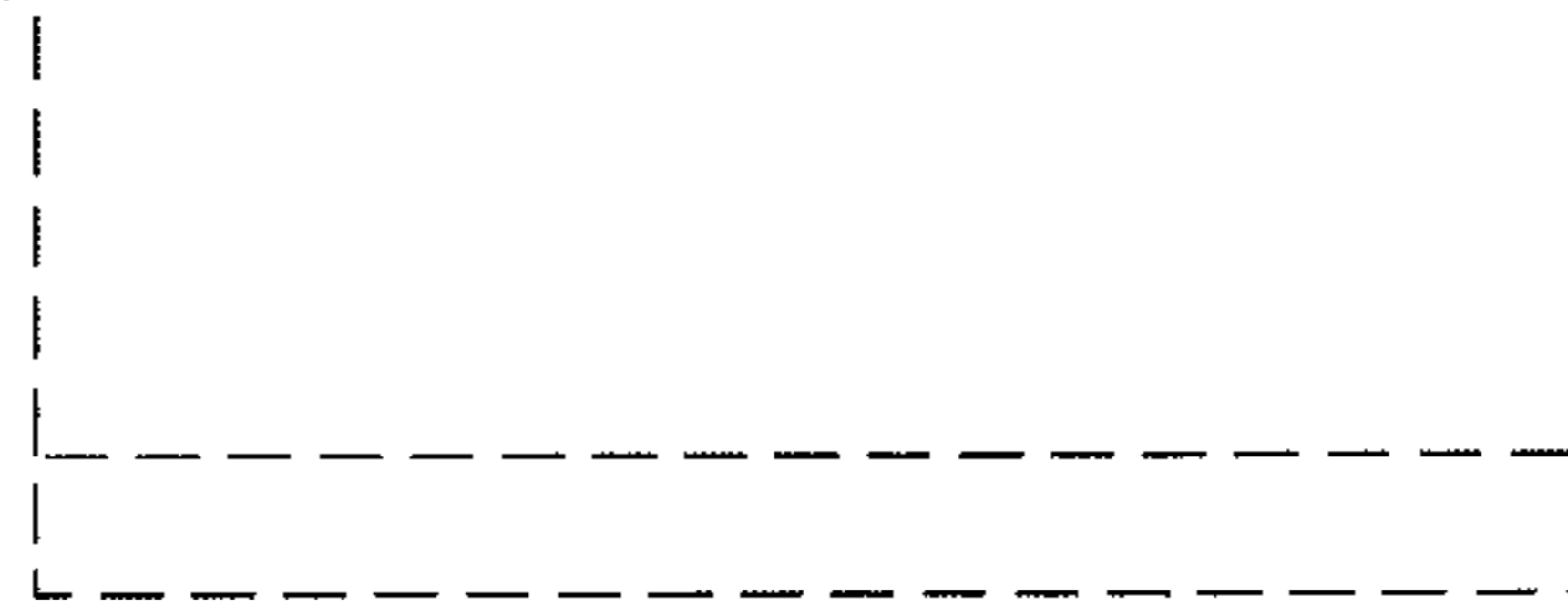


FIG. 4

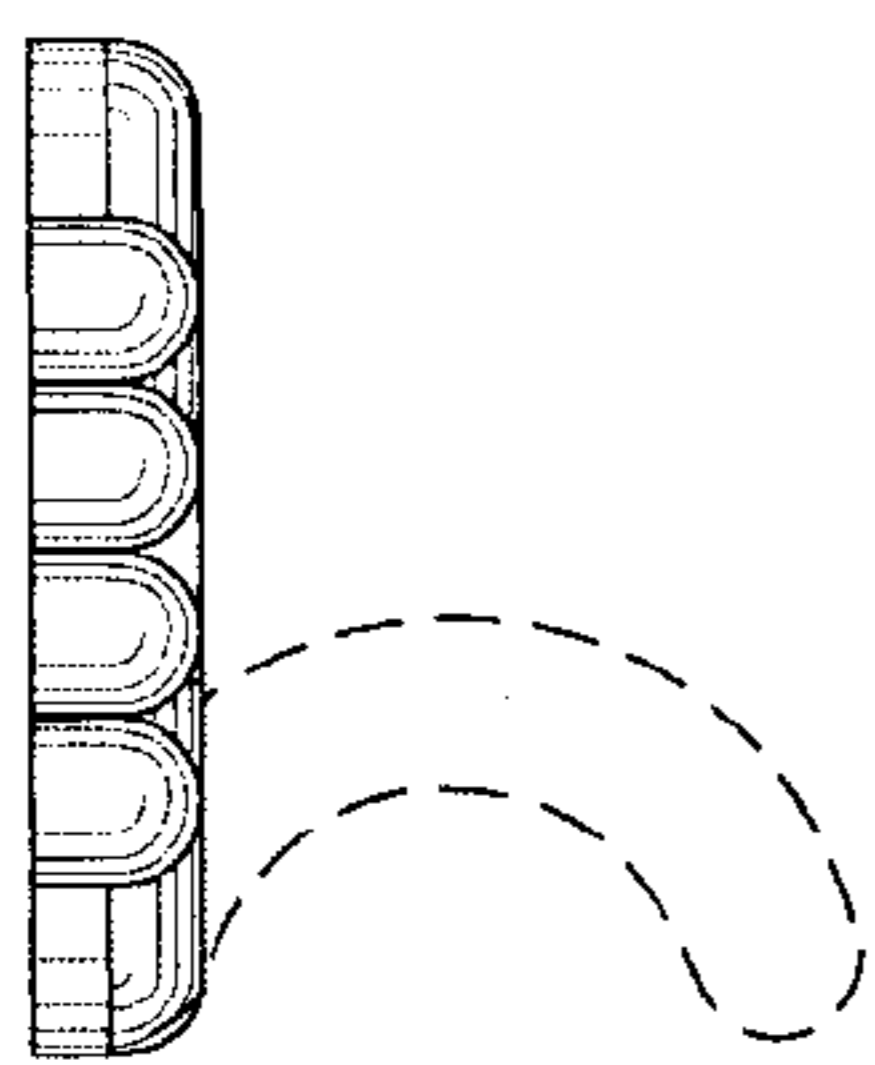


FIG. 5

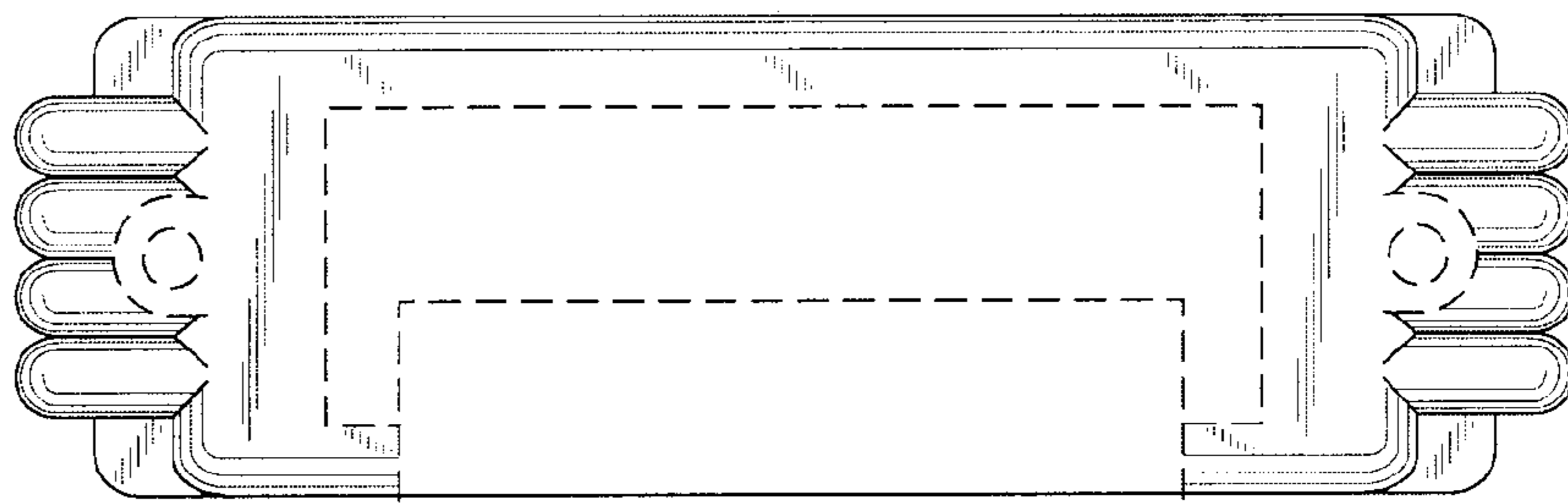
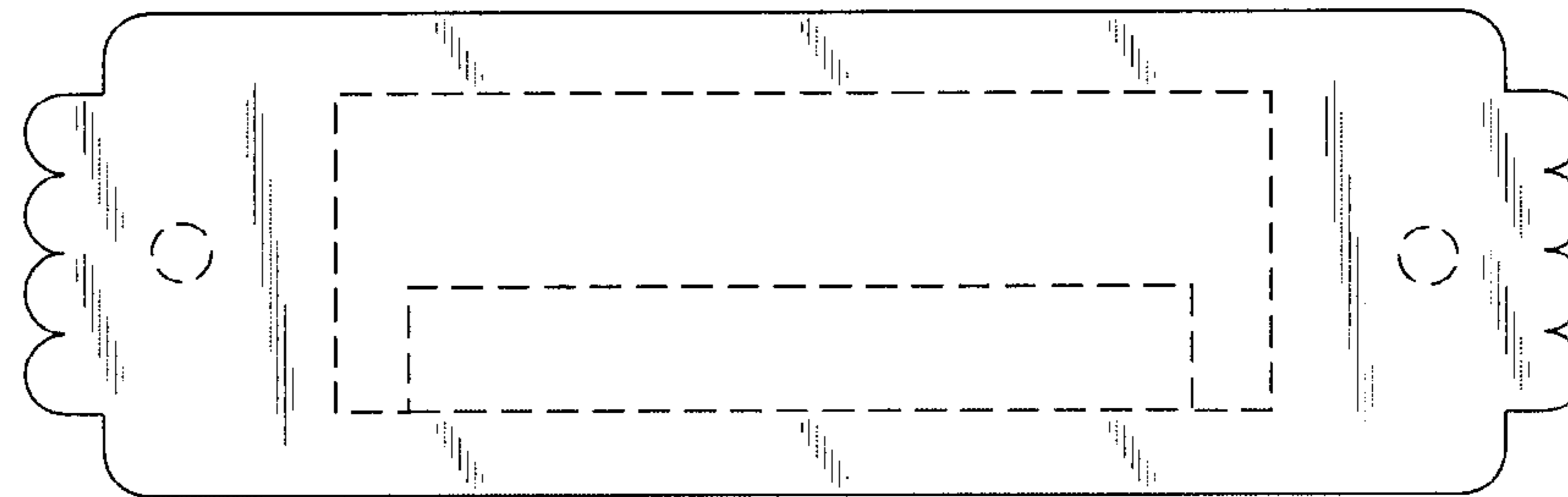


FIG. 6



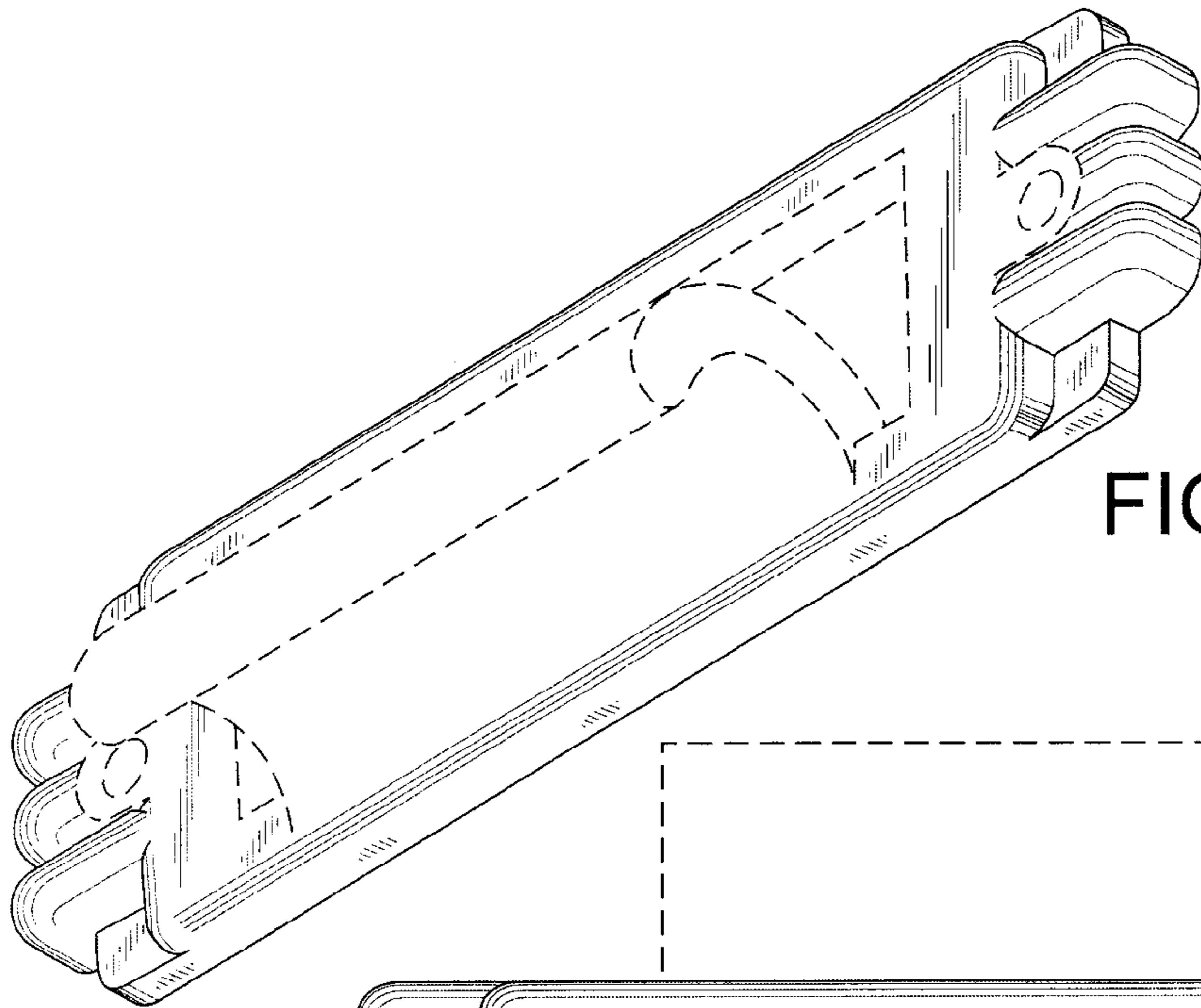


FIG. 7

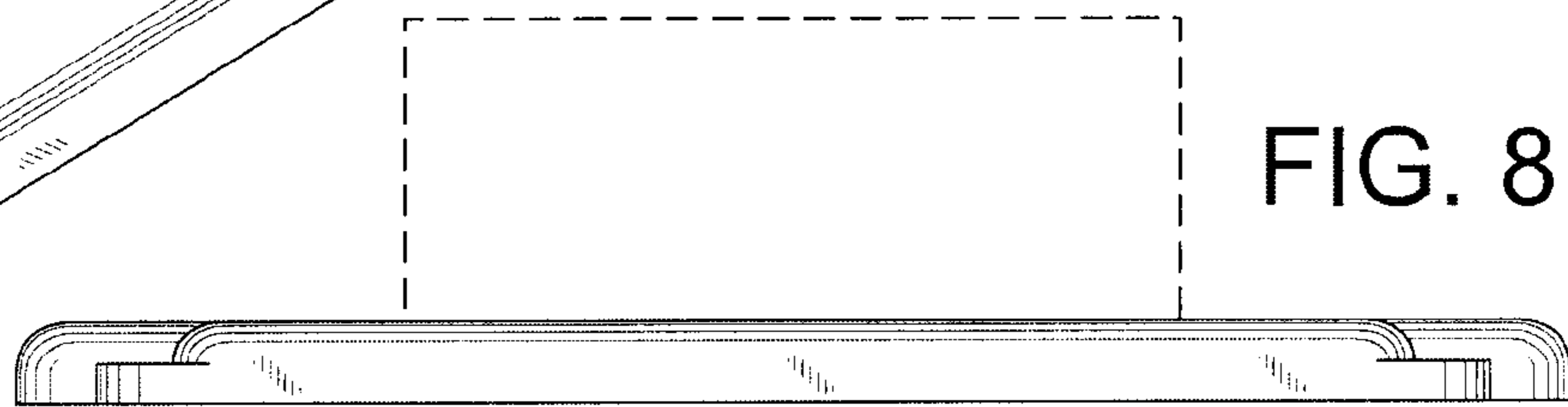


FIG. 8

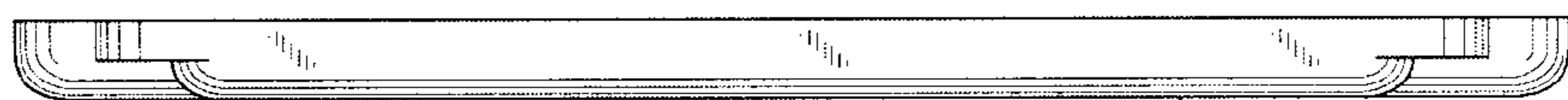


FIG. 9

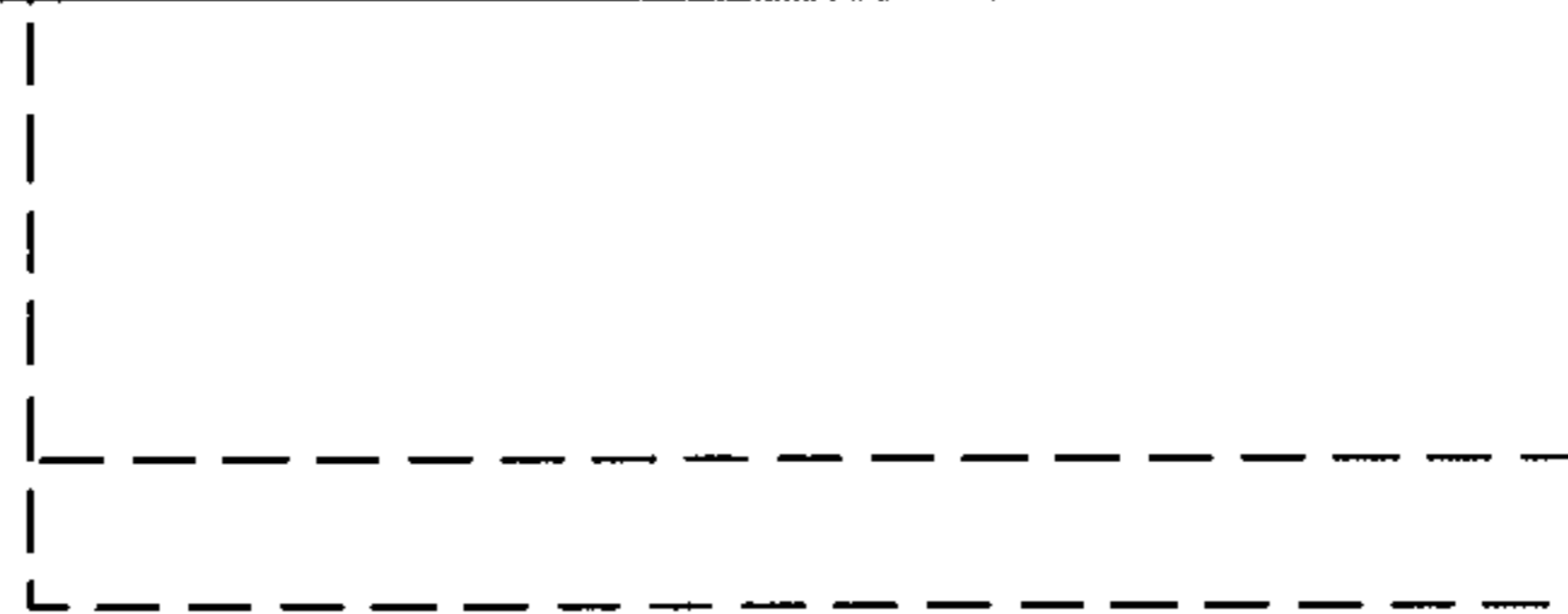


FIG. 10

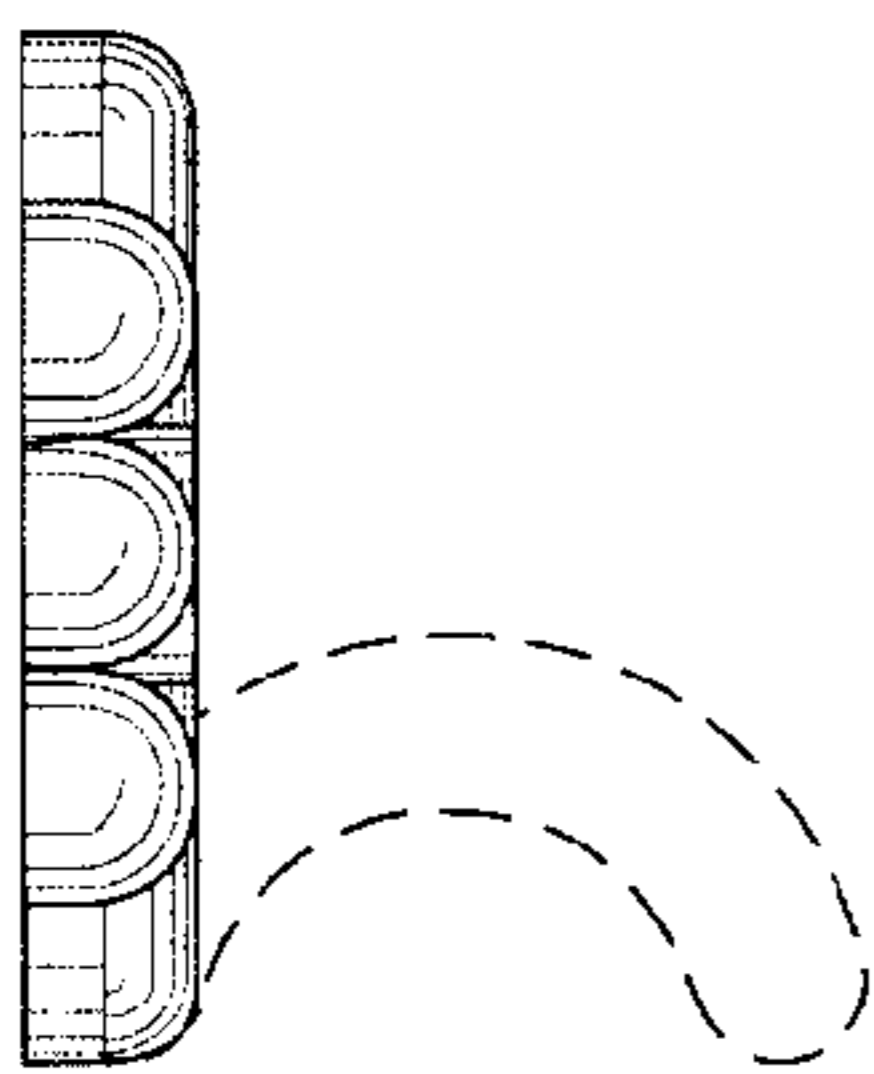


FIG. 11

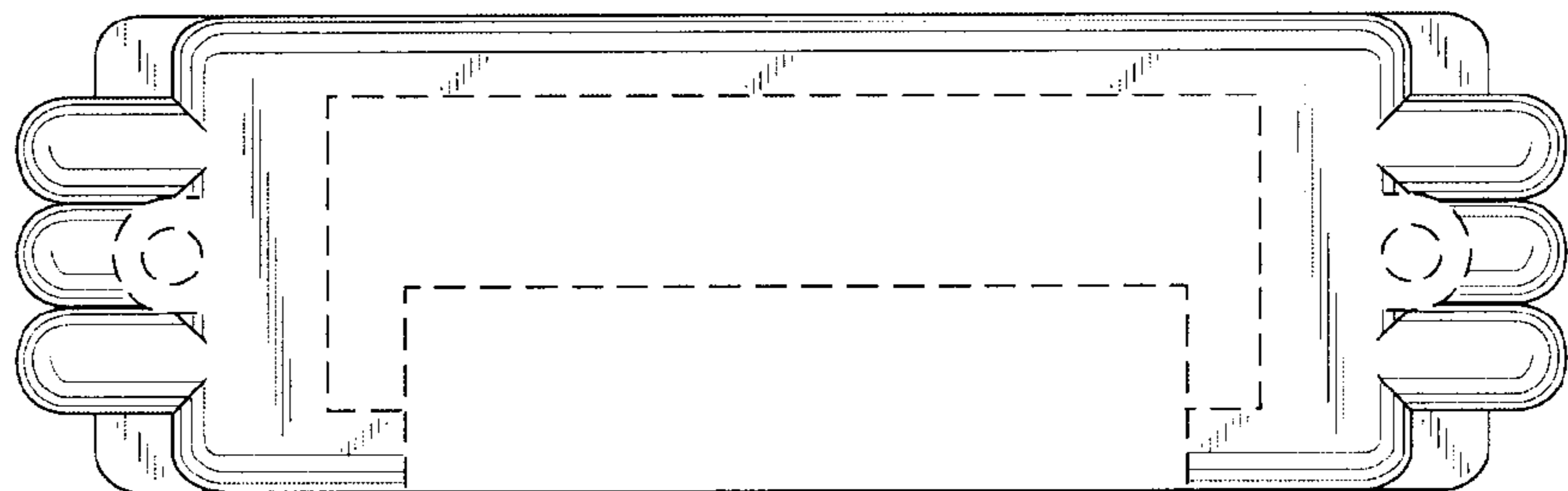


FIG. 12

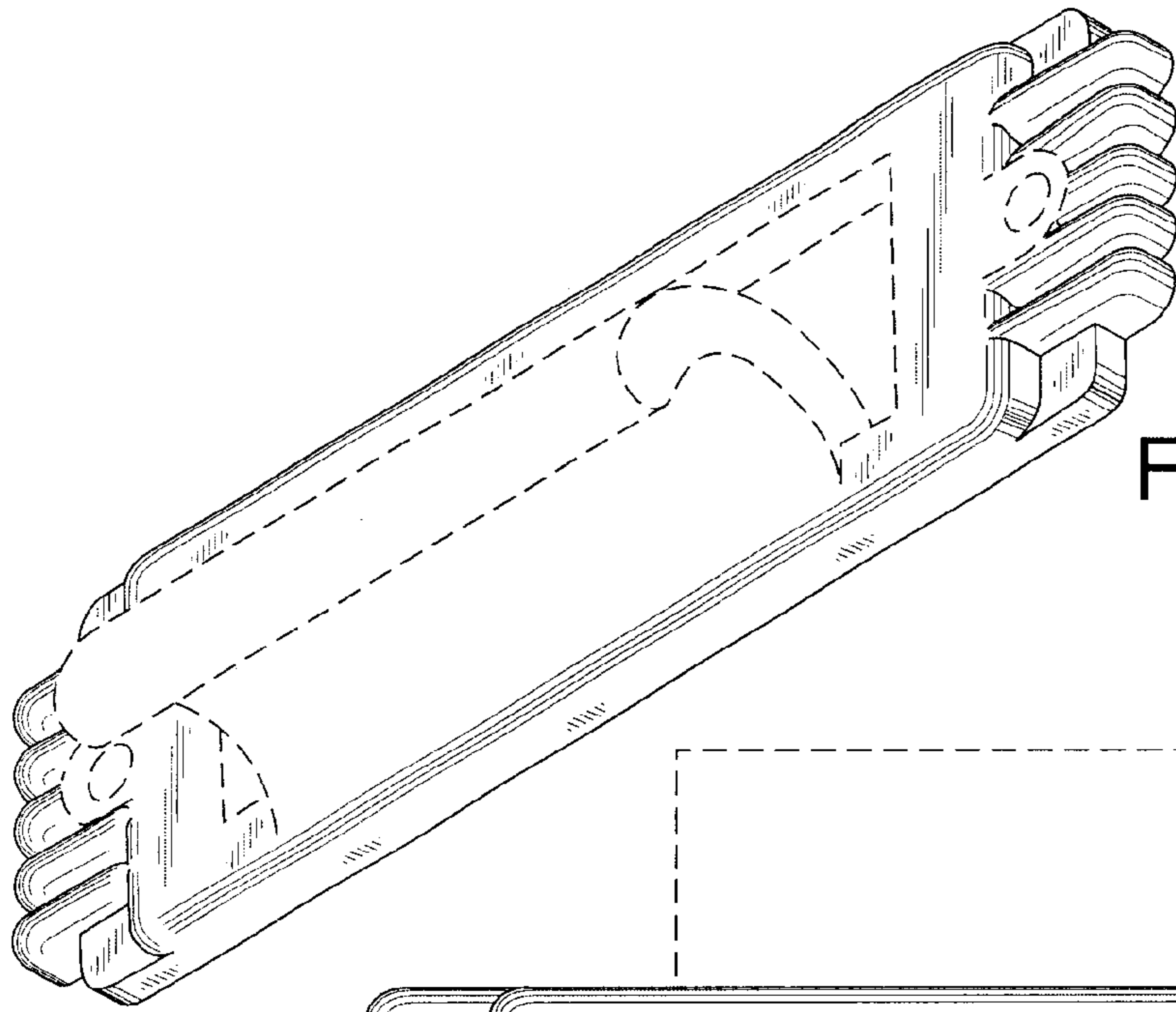


FIG. 13

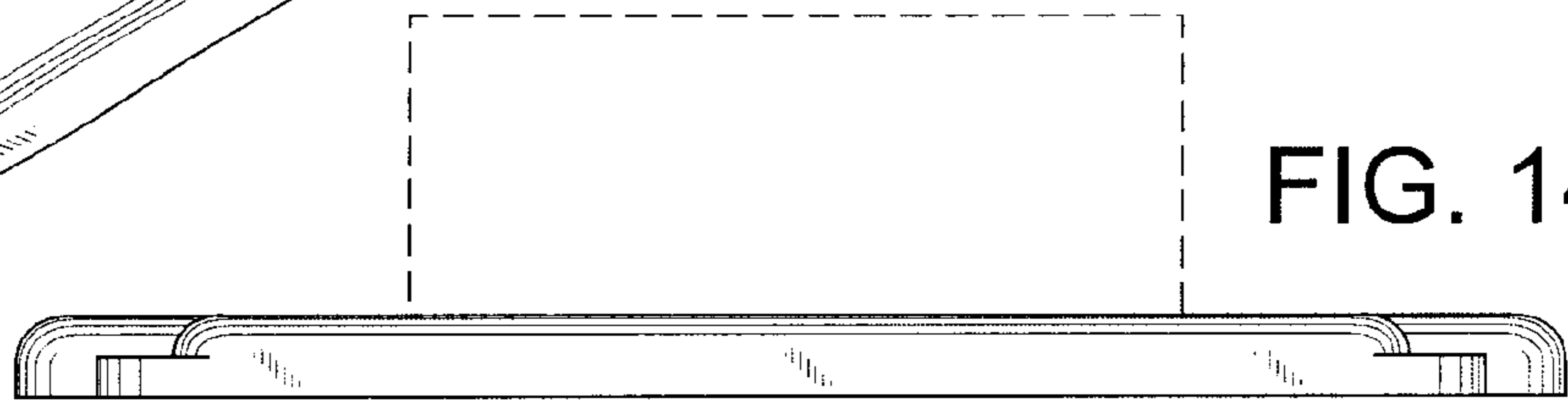


FIG. 14



FIG. 15

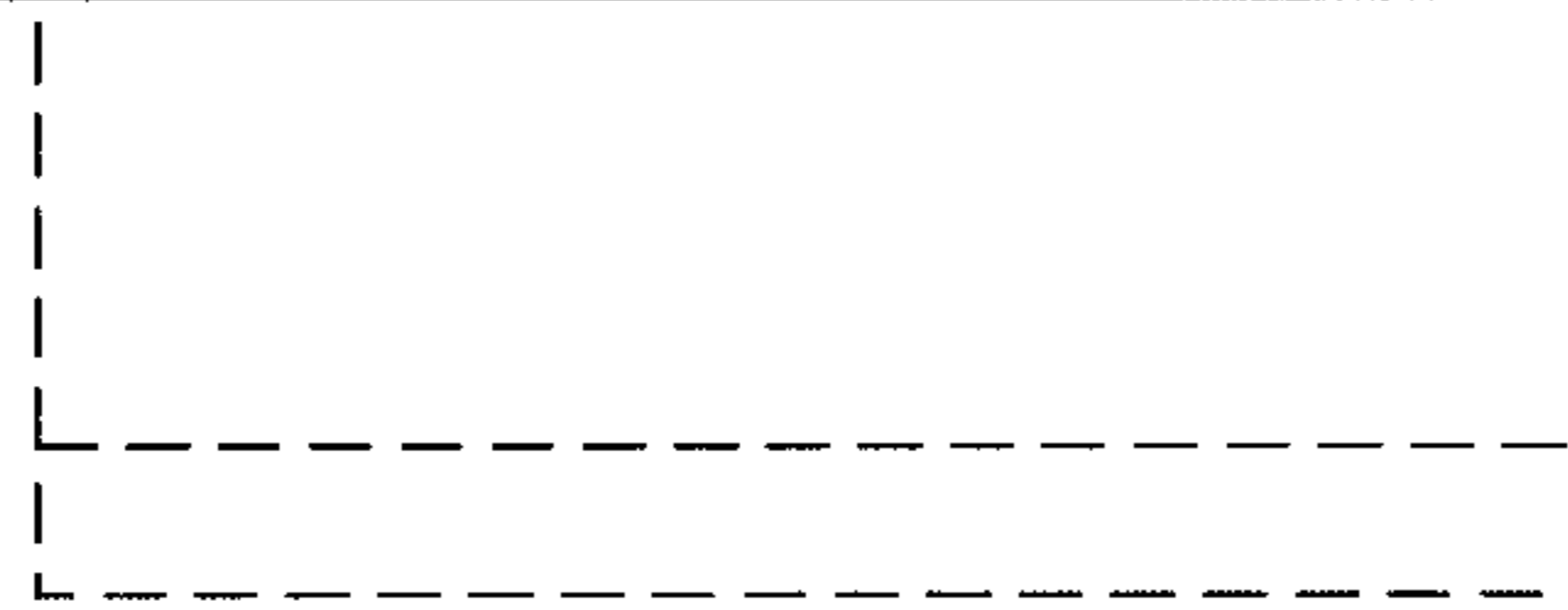


FIG. 16

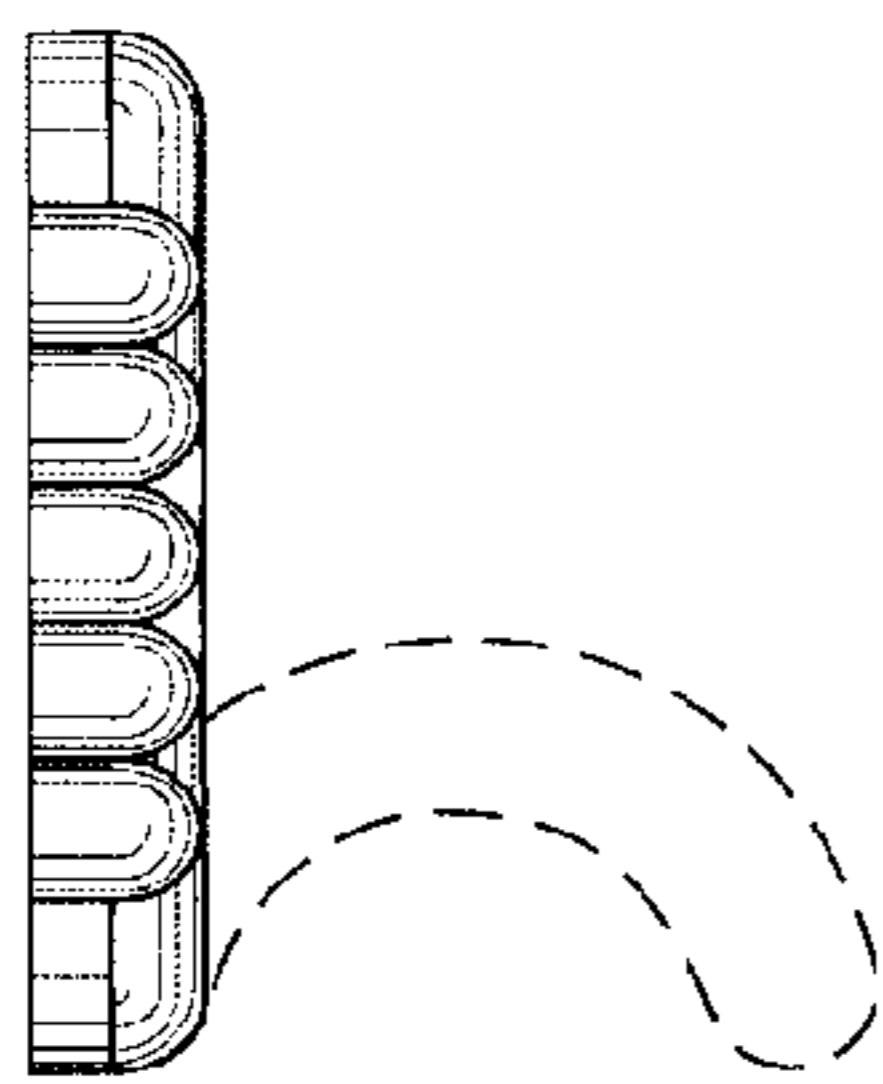


FIG. 17

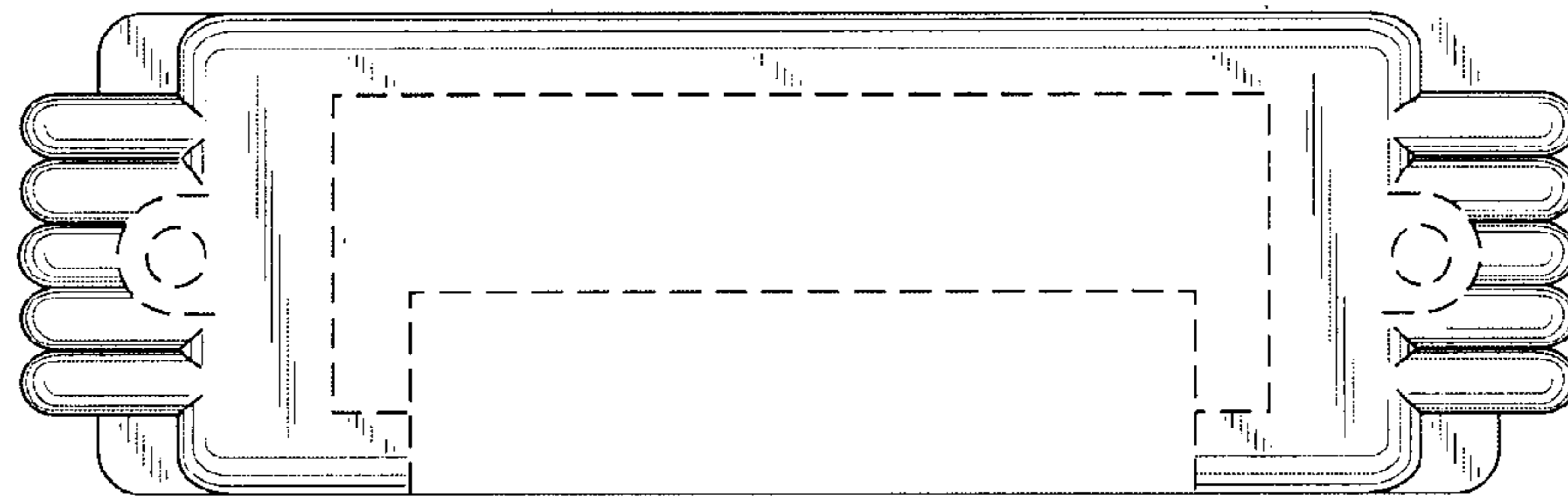


FIG. 18

