



US00D533426S

(12) **United States Design Patent**
Torrents Comas

(10) **Patent No.:** **US D533,426 S**
(45) **Date of Patent:** **** Dec. 12, 2006**

(54) **CERAMIC TILE CUTTER**

(75) Inventor: **Josep Torrents Comas, Rubi (ES)**

(73) Assignee: **Germans Boada, S.A. (ES)**

(**) Term: **14 Years**

(21) Appl. No.: **29/239,261**

(22) Filed: **Sep. 28, 2005**

(30) **Foreign Application Priority Data**

Mar. 28, 2005 (ES) 501162

(51) **LOC (8) Cl.** **08-03**

(52) **U.S. Cl.** **D8/98; D8/51; D15/127**

(58) **Field of Classification Search** D8/51,
D8/52, 98; D15/127; 83/614, 881, 886; 125/23.01,
125/23.02

See application file for complete search history.

(56) **References Cited**

U.S. PATENT DOCUMENTS

D424,585 S 5/2000 Torrents Comas D15/127
D434,782 S 12/2000 Comas D15/127
6,164,272 A * 12/2000 Fouy 125/23.02

D476,213 S * 6/2003 Hepworth D8/98
6,953,036 B1 * 10/2005 Ishii 125/23.02
2003/0029431 A1 * 2/2003 Hepworth 125/13.03
2004/0025662 A1 * 2/2004 Torrents I Comas 83/886

* cited by examiner

Primary Examiner—Antoine D. Davis

Assistant Examiner—Patricia Palasik

(74) *Attorney, Agent, or Firm*—Ostrolenk, Faber, Gerb & Soffen, LLP

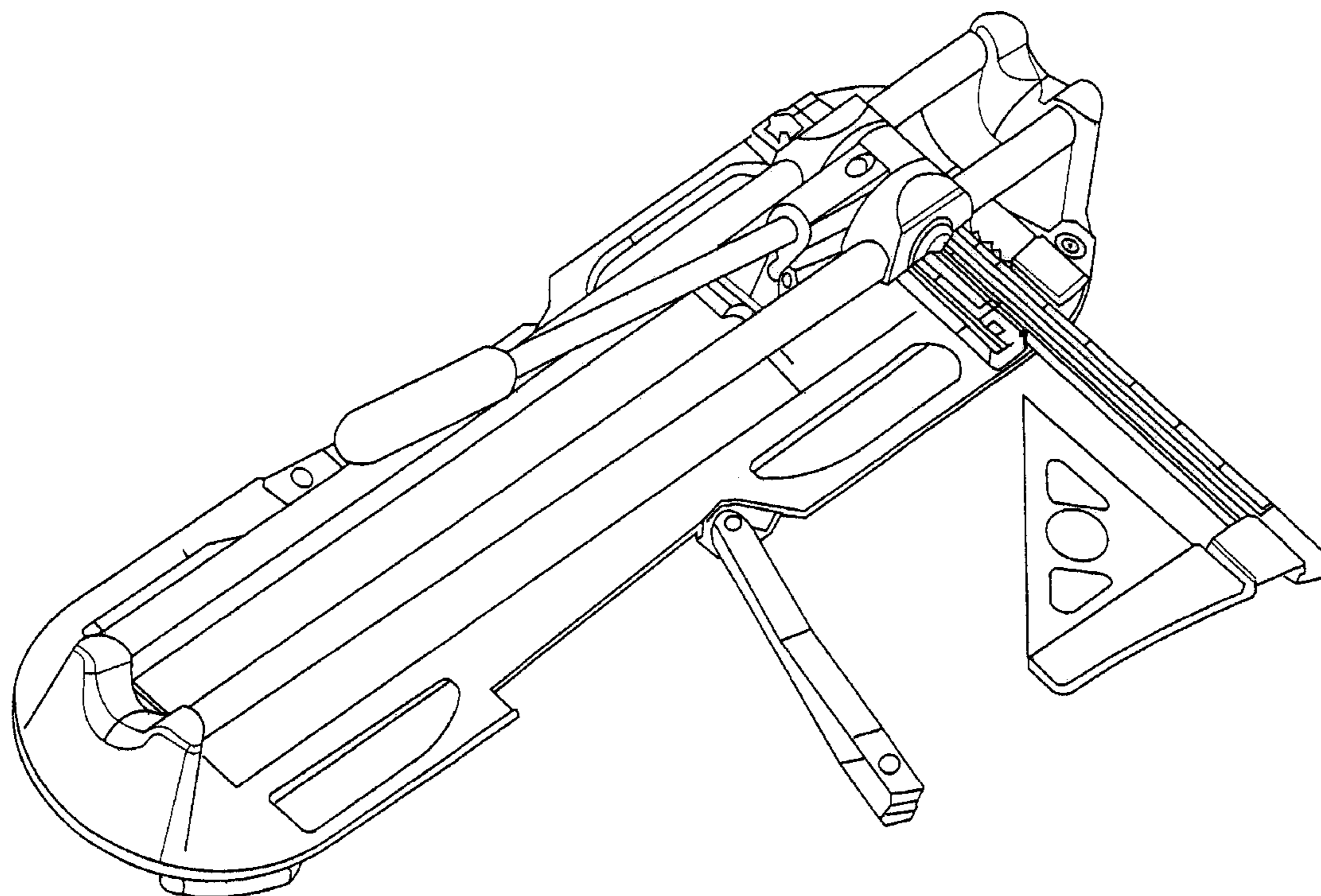
(57) **CLAIM**

The ornamental design for a ceramic tile cutter, as shown and described.

DESCRIPTION

FIG. 1 is a rear, right side, top, perspective view of a ceramic tile cutter showing my new design;
FIG. 2 is a top view thereof;
FIG. 3 is a left side view thereof;
FIG. 4 is a right side view thereof;
FIG. 5 is a front view thereof;
FIG. 6 is a rear view thereof; and,
FIG. 7 is a top view thereof in an alternate condition.
The bottom is plain and unornamented and not shown.

1 Claim, 7 Drawing Sheets



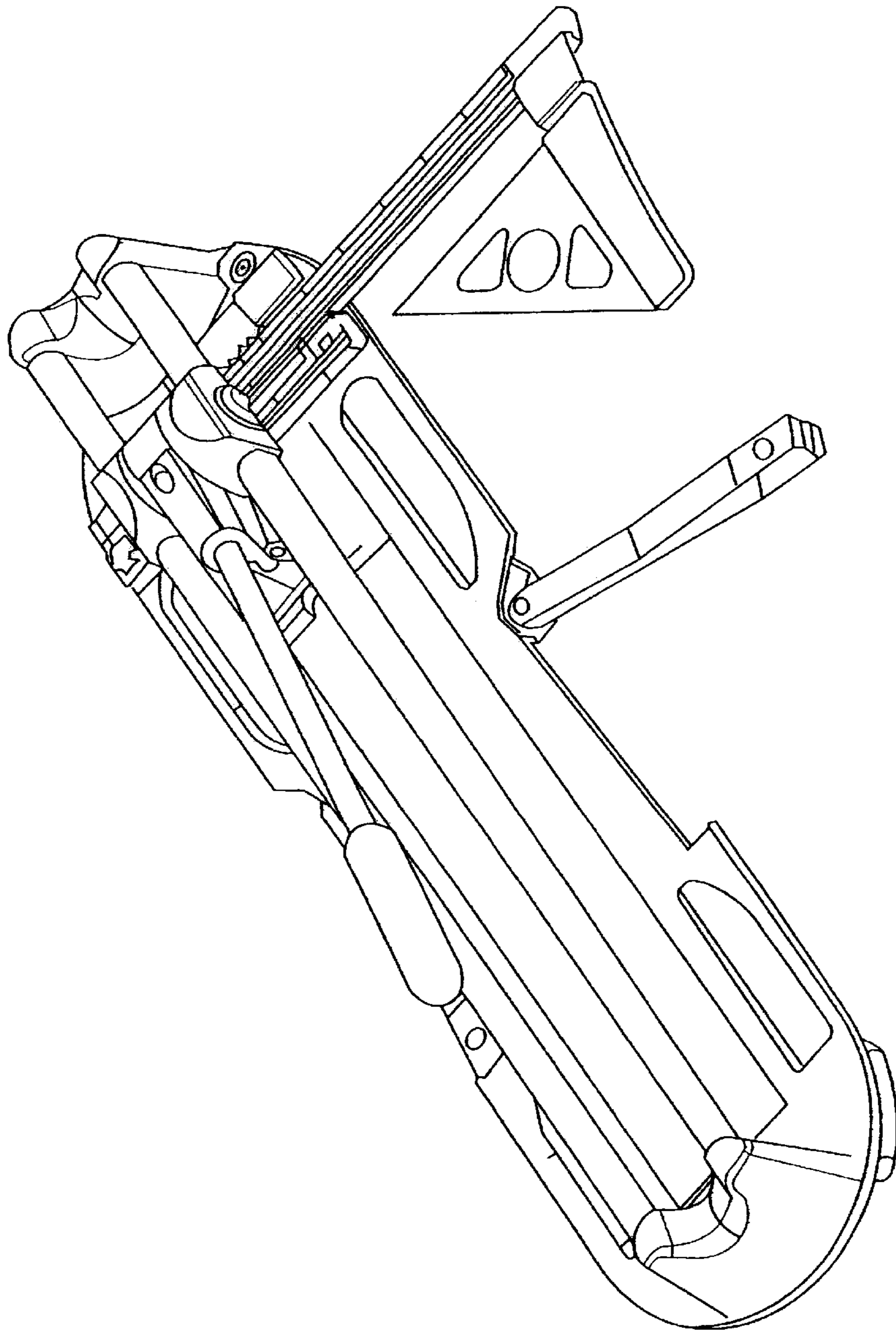


FIG. 1

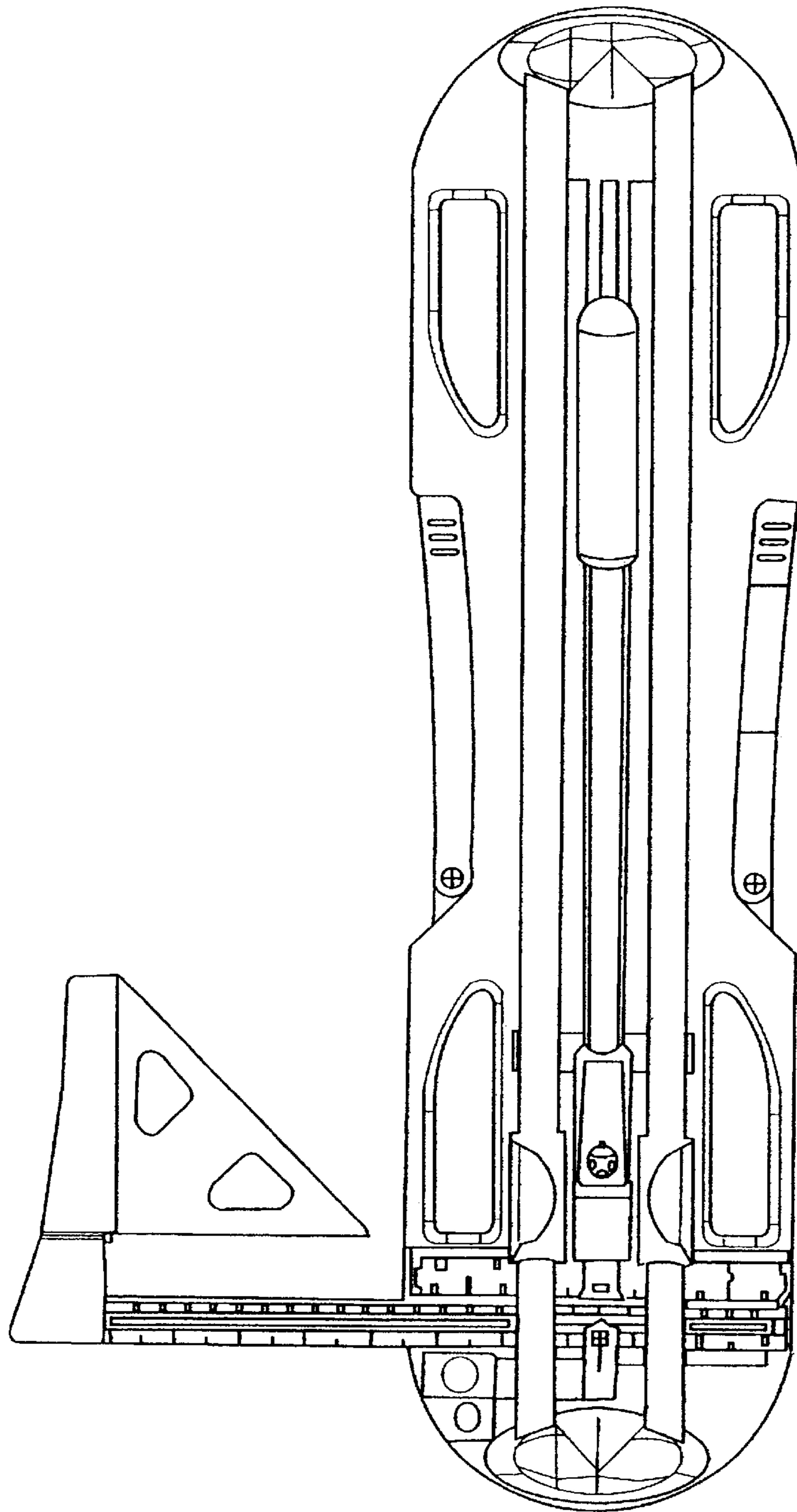


FIG. 2

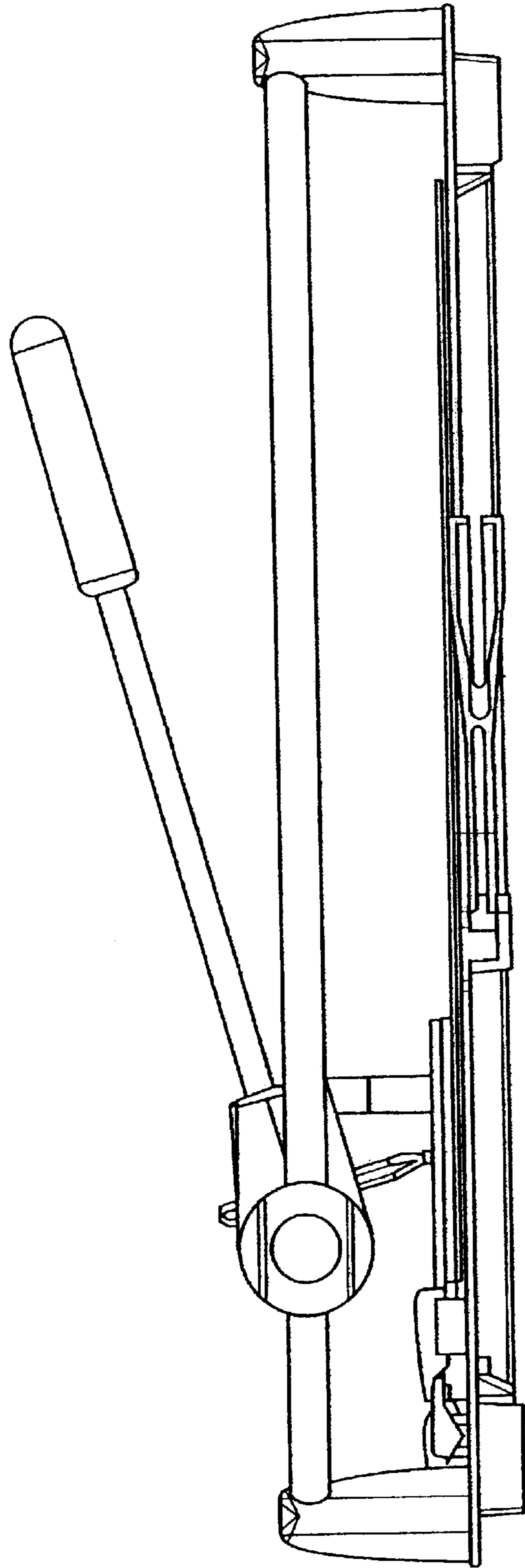


FIG. 3

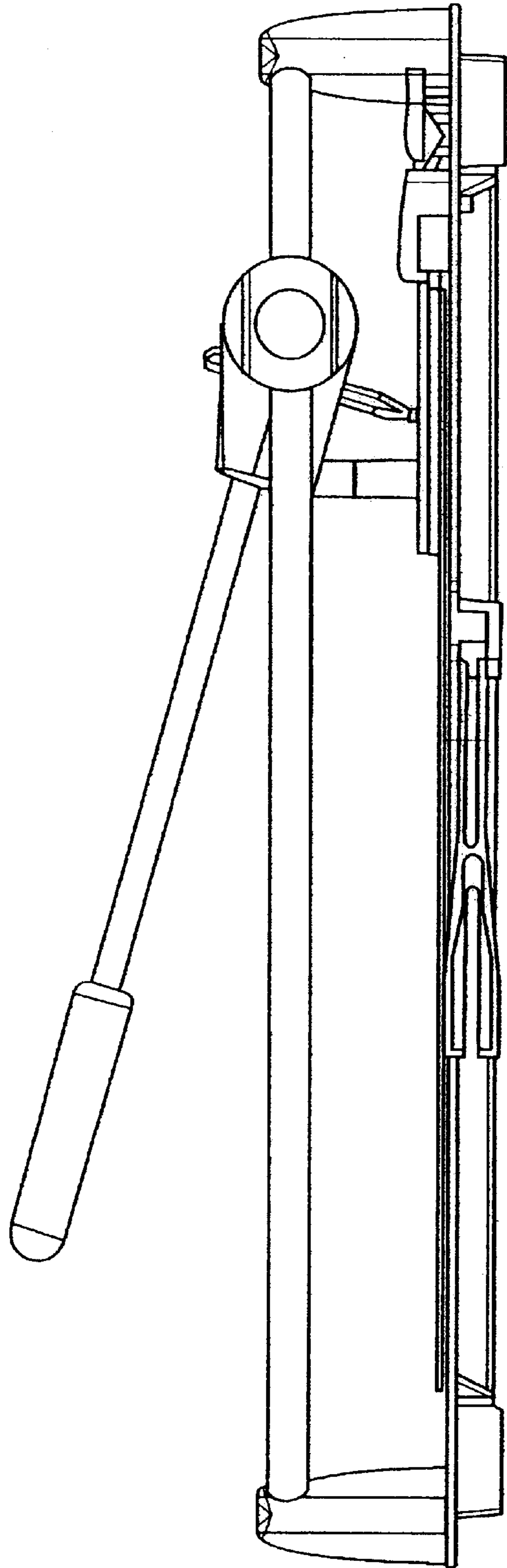


FIG. 4

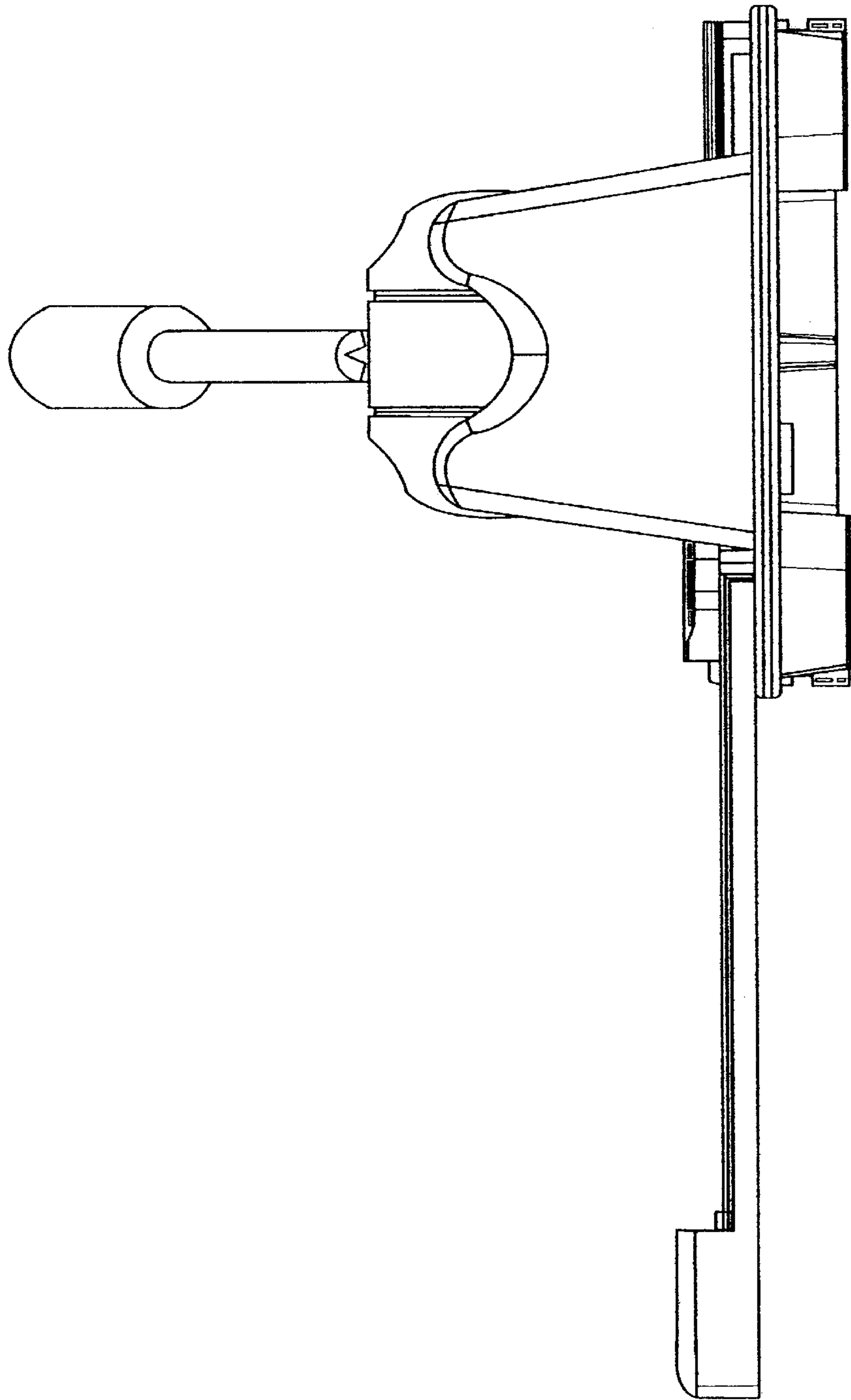


FIG. 5

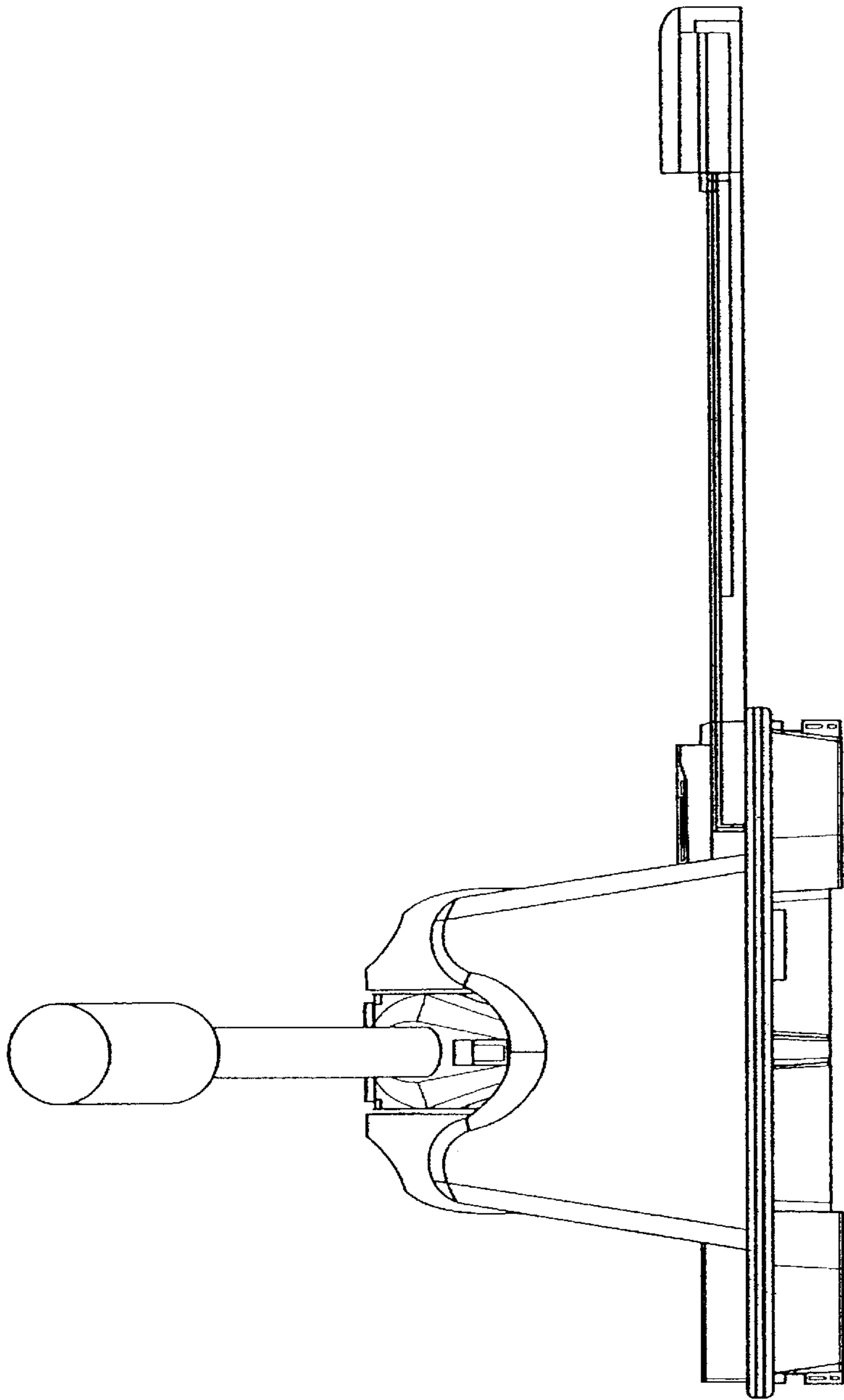


FIG. 6

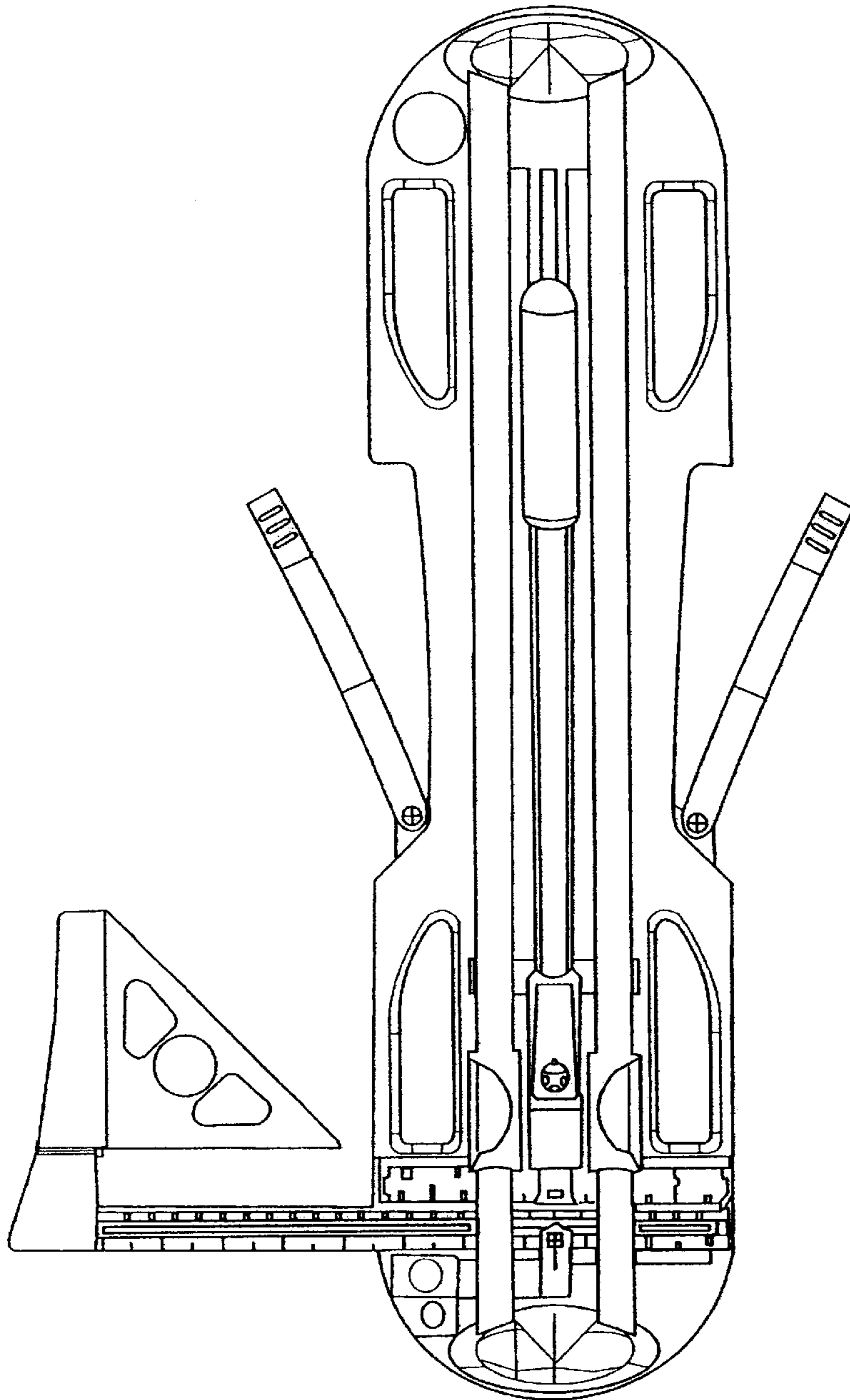


FIG. 7