



US00D533425S

(12) **United States Design Patent** (10) **Patent No.:** **US D533,425 S**  
**Yaksich** (45) **Date of Patent:** **\*\* Dec. 12, 2006**

(54) **DRILL CHUCK SLEEVE**  
(75) Inventor: **Theodore G. Yaksich**, Seneca, SC (US)  
(73) Assignee: **Jacobs Chuck Manufacturing Company**, Clemson, SC (US)  
(\*\*) Term: **14 Years**

(21) Appl. No.: **29/240,935**  
(22) Filed: **Oct. 20, 2005**

(51) **LOC (8) Cl.** ..... **08-01**  
(52) **U.S. Cl.** ..... **D8/70; D15/138**  
(58) **Field of Classification Search** ..... D8/61,  
D8/62, 63, 64, 65, 66, 67, 68, 69, 70, 71;  
279/60, 61, 62, 63, 64, 65, 66, 157, 901,  
279/902; 408/56, 240; D15/132, 133, 138,  
D15/139, 140

See application file for complete search history.

(56) **References Cited**

**U.S. PATENT DOCUMENTS**

3,927,892	A	*	12/1975	Pradota	.....	279/62
5,476,273	A		12/1995	Shadeck et al.	.....	279/60
D392,654	S	*	3/1998	Stratford et al.	.....	D8/70
D403,222	S	*	12/1998	Lui	.....	D8/70
D404,629	S	*	1/1999	Cooper	.....	D8/70
D409,210	S	*	5/1999	Cooper	.....	D15/140
5,913,524	A	*	6/1999	Barton	.....	279/902
5,944,328	A	*	8/1999	Lin et al.	.....	279/62
D417,228	S	*	11/1999	Miles	.....	D15/140
D434,629	S	*	12/2000	Long	.....	D8/70
D434,630	S	*	12/2000	Oliver et al.	.....	D8/70
6,193,242	B1	*	2/2001	Robison	.....	279/62
D447,399	S	*	9/2001	Netzler	.....	D8/70
6,286,842	B1	*	9/2001	Huff et al.	.....	279/60
D462,248	S	*	9/2002	Cooper	.....	D8/68
D464,858	S	*	10/2002	Netzler	.....	D8/68
6,902,172	B1	*	6/2005	Rohm	.....	279/62
D513,691	S	*	1/2006	Watson et al.	.....	D8/70

2001/0011799	A1	*	8/2001	Miles et al.	.....	279/60
2003/0155723	A1	*	8/2003	Rohm et al.	.....	279/62
2004/0032095	A1	*	2/2004	Rohm	.....	279/62
2004/0041357	A1	*	3/2004	Zhou	.....	279/62
2005/0212223	A1	*	9/2005	Tian et al.	.....	279/62
2006/0027978	A1	*	2/2006	Young et al.	.....	279/62

**OTHER PUBLICATIONS**

Photos of co-molded chuck believed to be sold more than 1 year prior to the filing date of the present application. prior to Oct. 20, 2004.

\* cited by examiner

*Primary Examiner*—T. Chase Nelson

(74) *Attorney, Agent, or Firm*—Nelson Mullins Riley & Scarborough, LLP

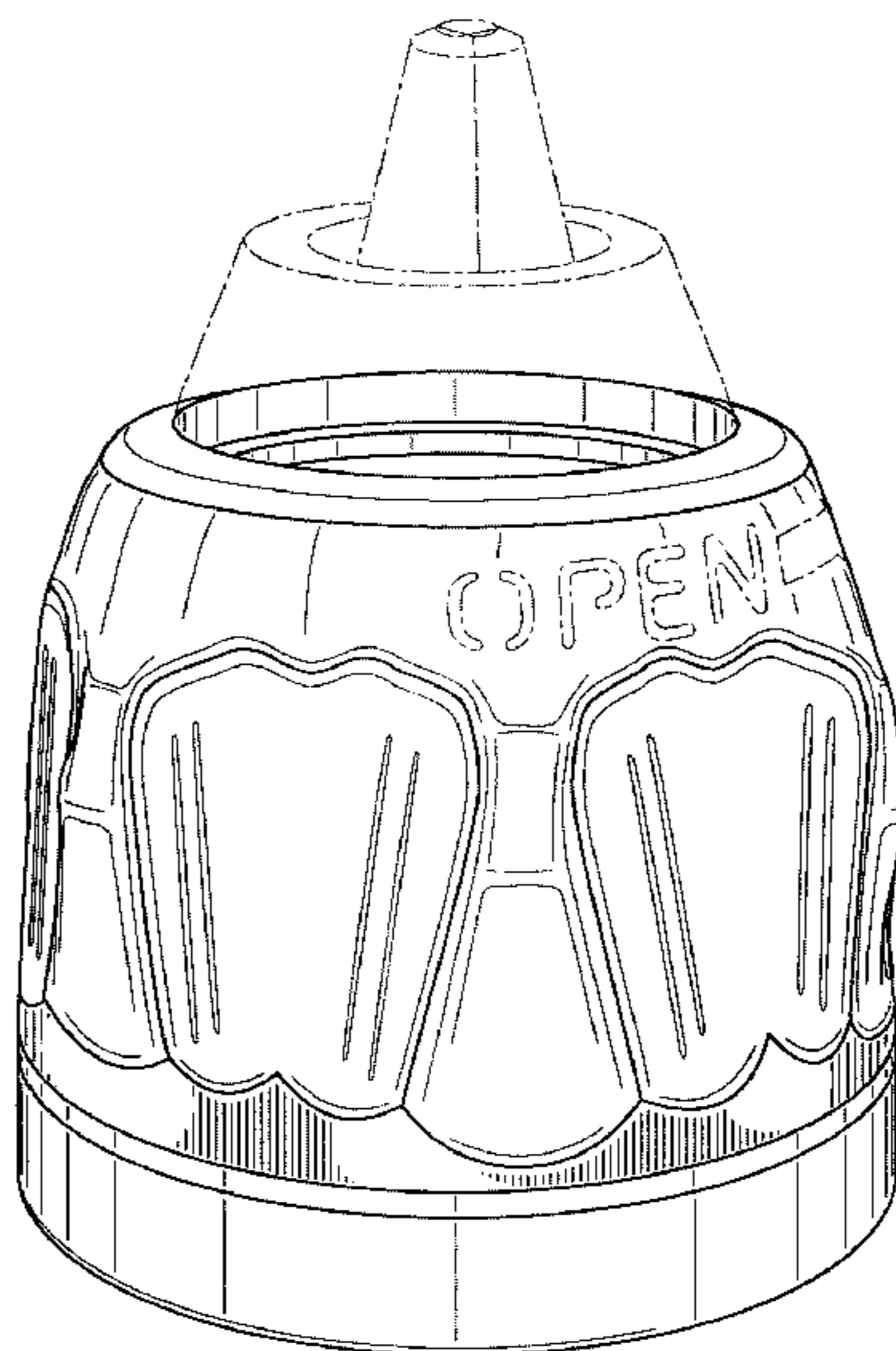
(57) **CLAIM**

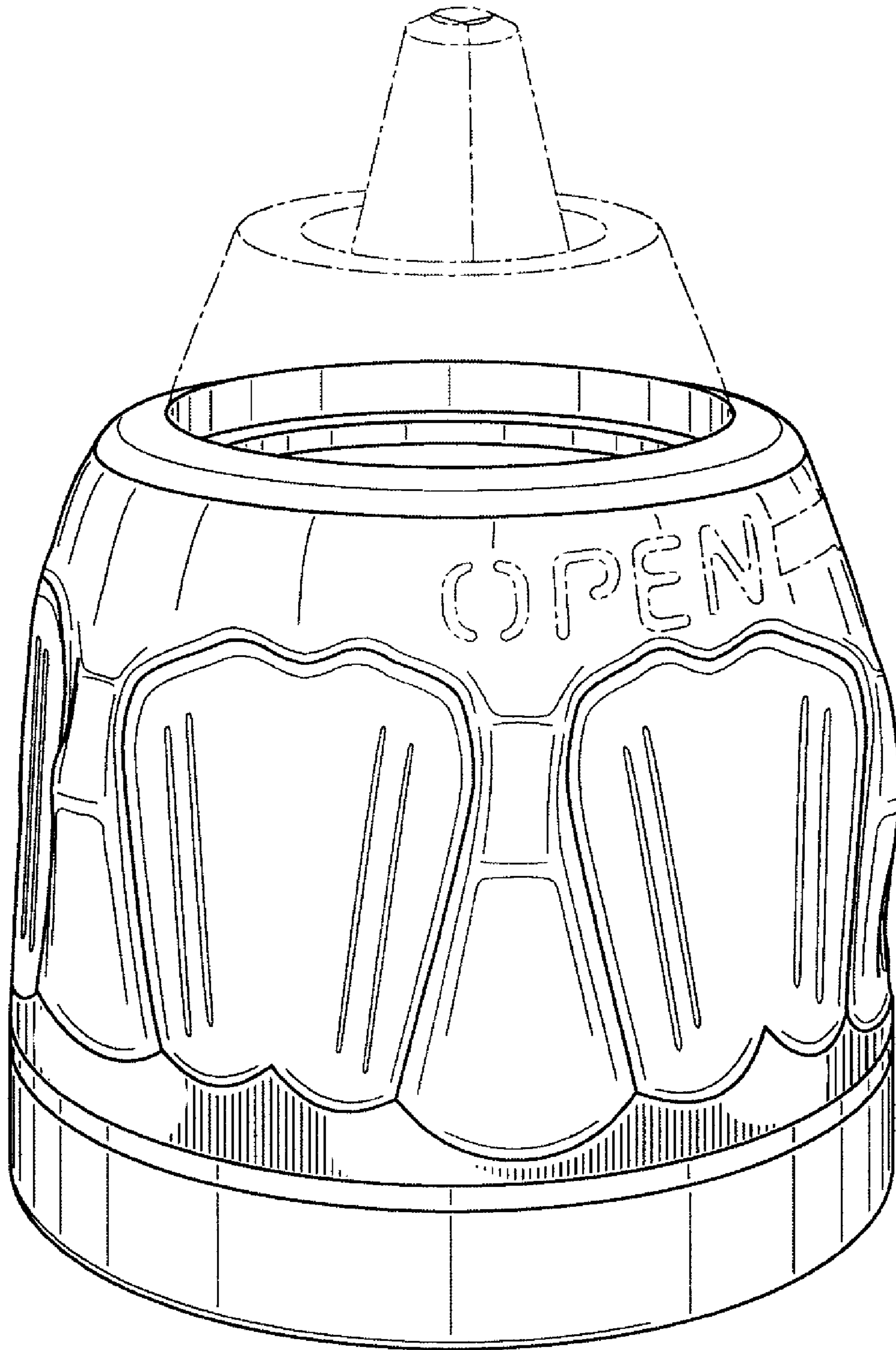
The ornamental design for a drill chuck sleeve, substantially as shown and described.

**DESCRIPTION**

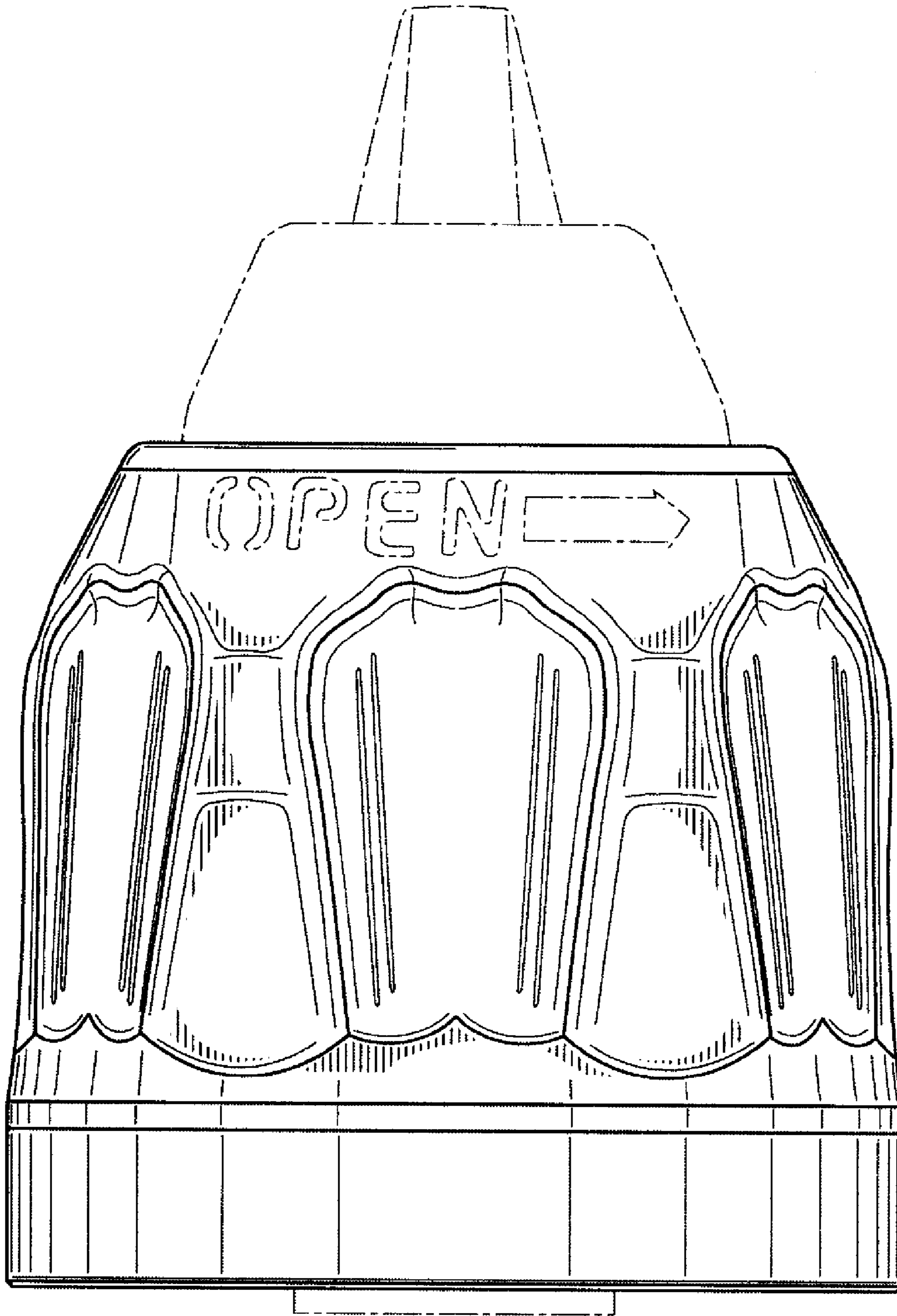
FIG. 1 is a perspective view of a drill chuck sleeve embodying the design of the present invention;  
FIG. 2 is a front elevation view of the drill chuck sleeve illustrated in FIG. 1;  
FIG. 3 is a back elevation view of the drill chuck sleeve shown in FIG. 1;  
FIG. 4 is a right side view of the drill chuck sleeve shown in FIG. 1;  
FIG. 5 is a left side view of the drill chuck sleeve shown in FIG. 1;  
FIG. 6 is a top view of the drill chuck sleeve illustrated in FIG. 1; and,  
FIG. 7 is a bottom view of the drill chuck sleeve illustrated in FIG. 1.  
Broken lines are for illustrative purposes and form no part of the claim.

**1 Claim, 6 Drawing Sheets**

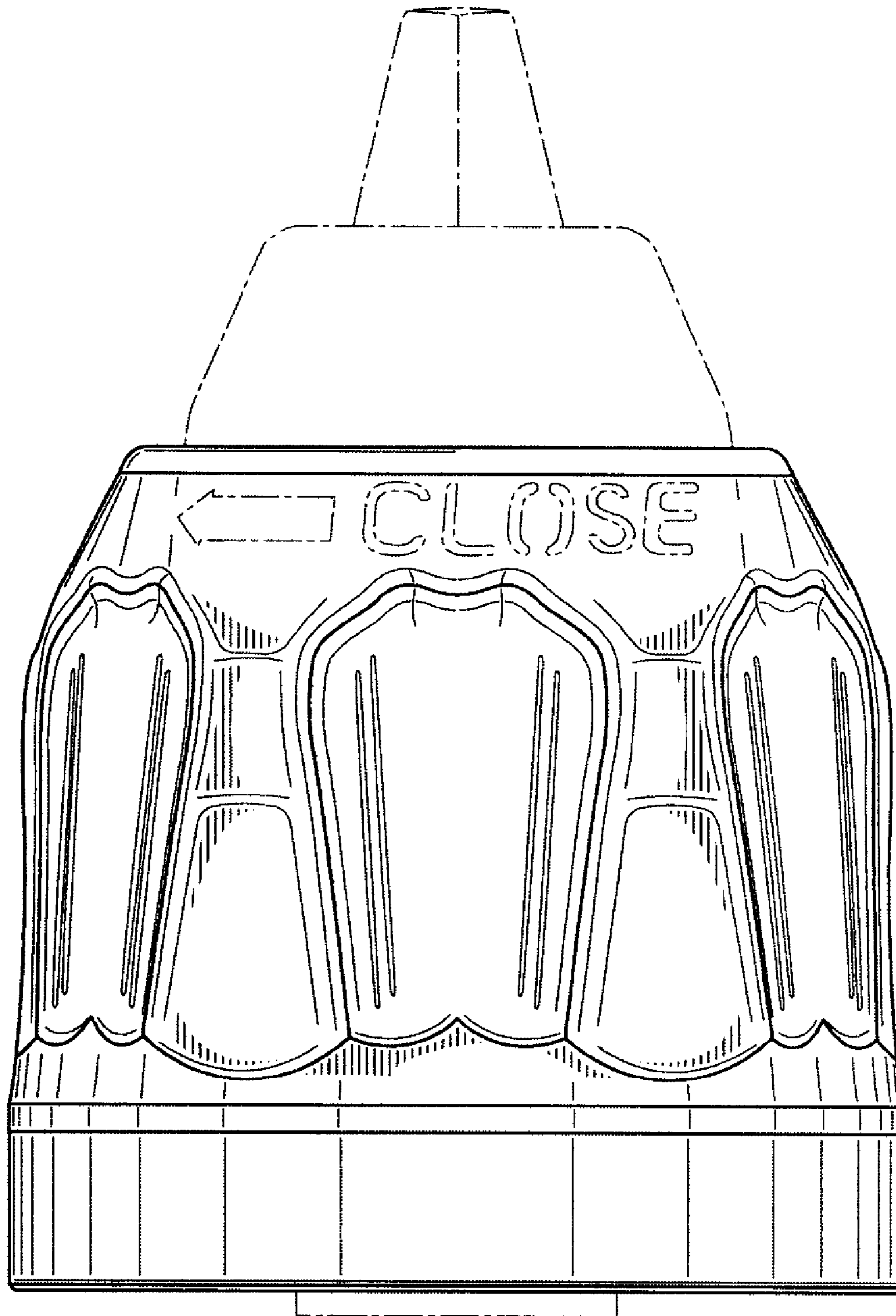




**Fig. 1**

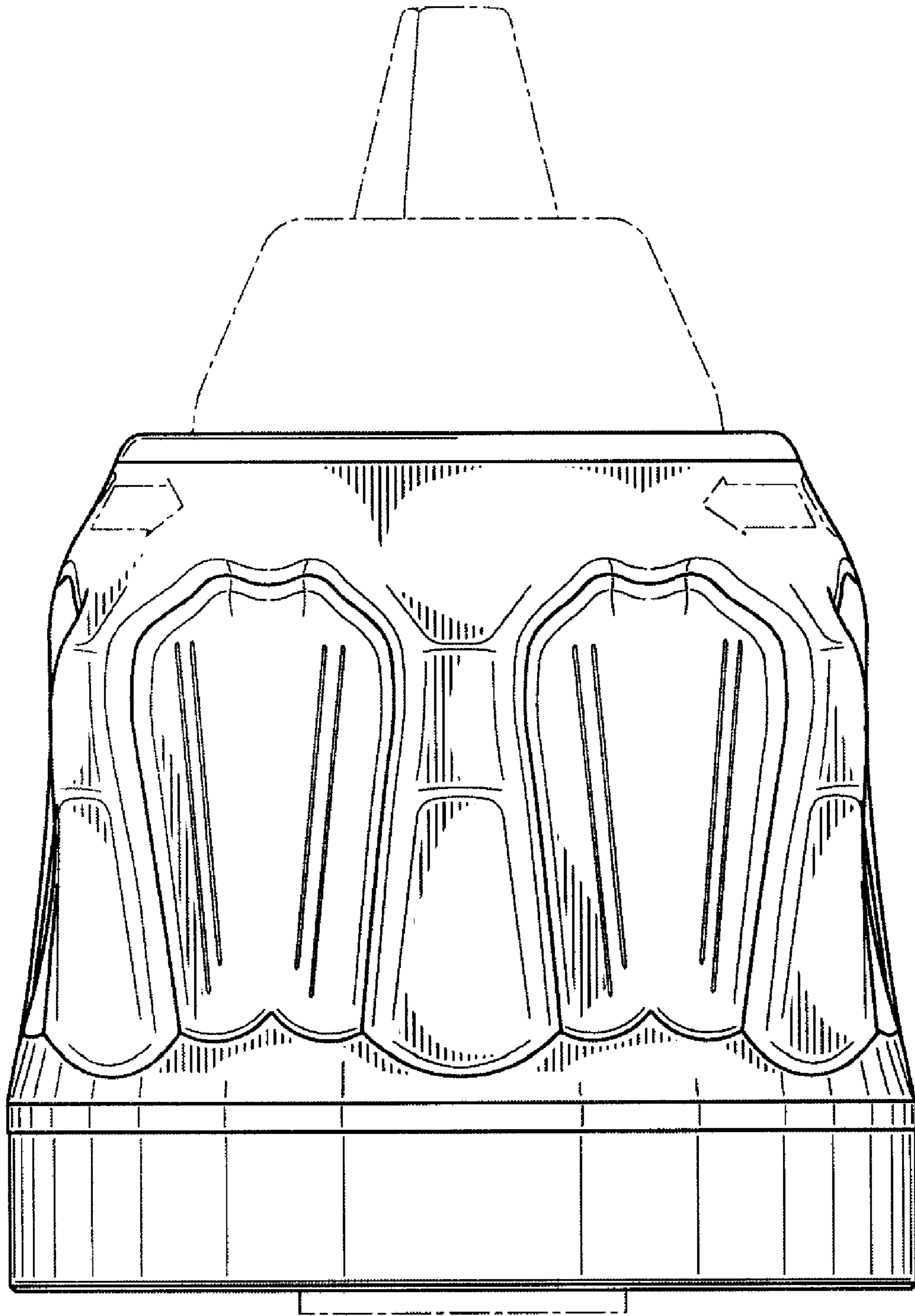


**Fig. 2**

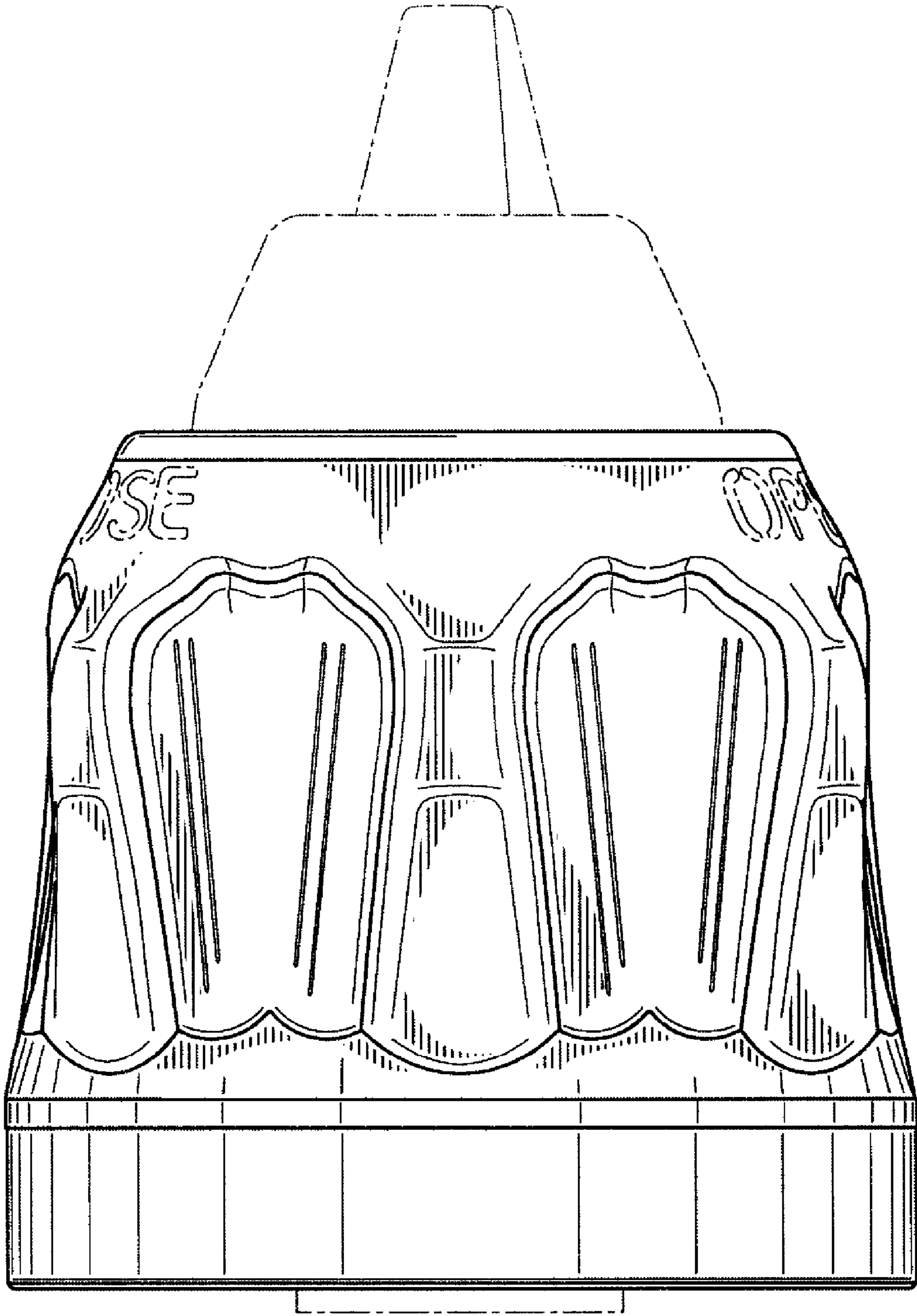


**Fig. 3**

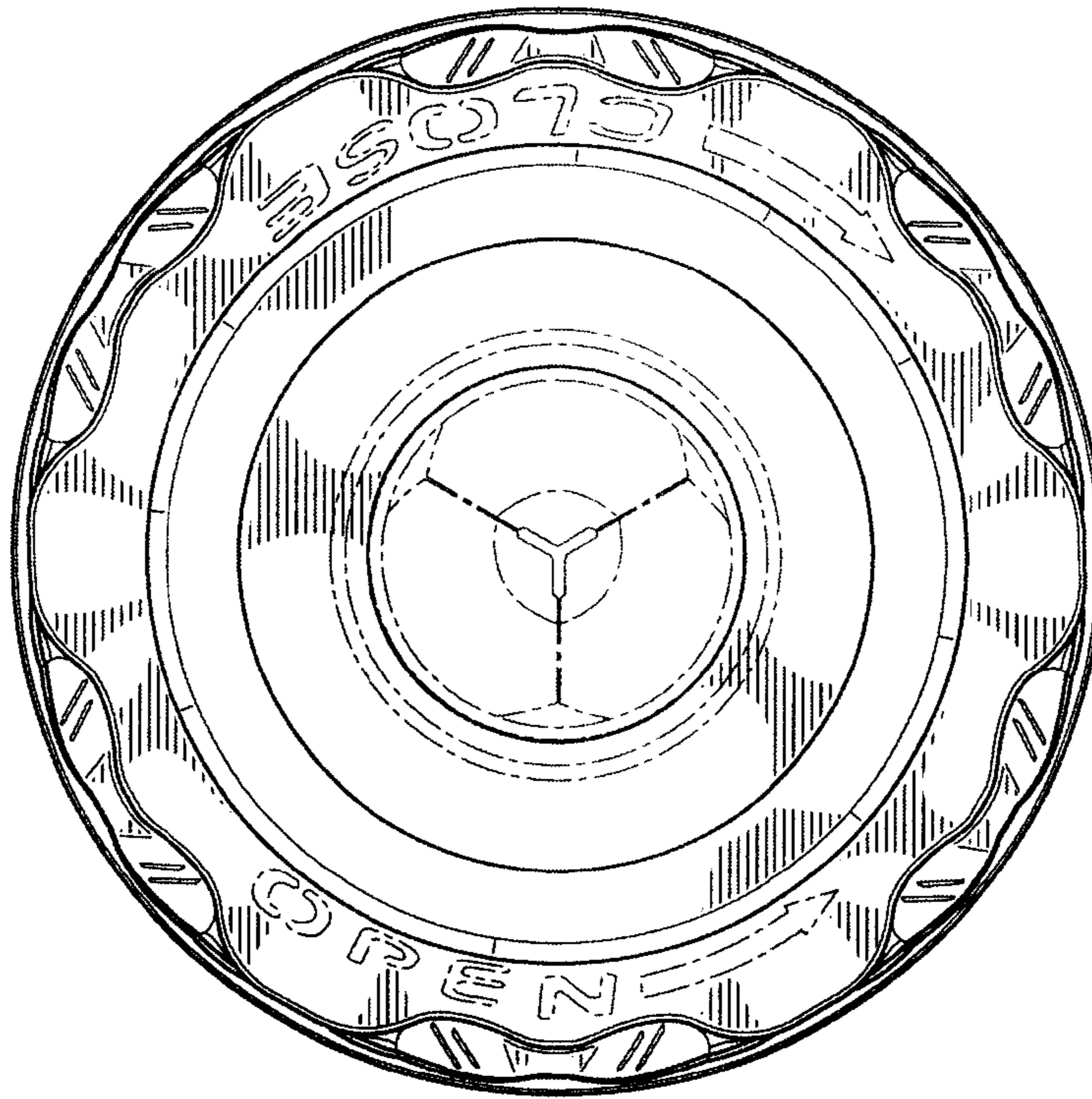




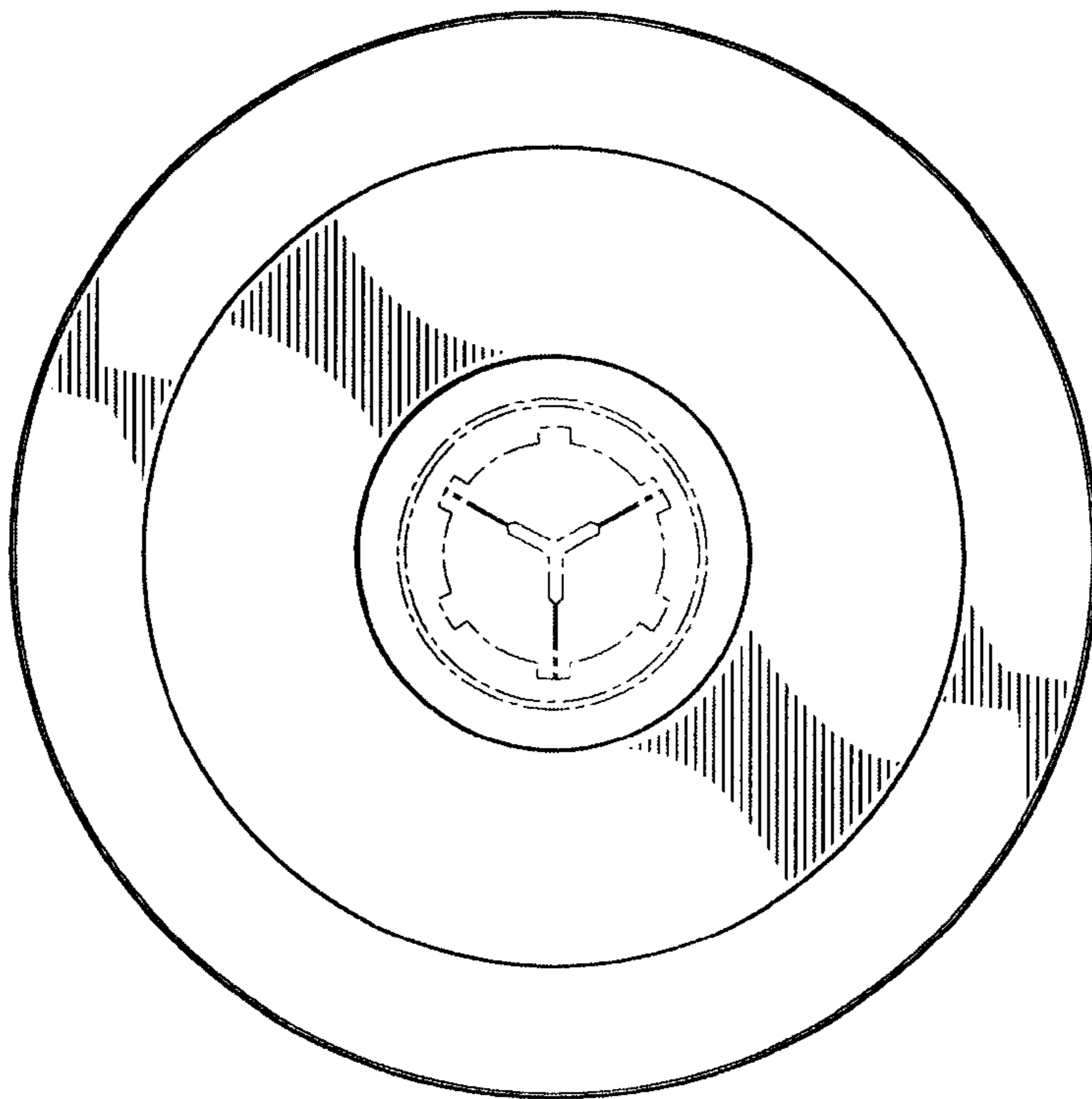
**Fig. 4**



**Fig. 5**



**Fig. 6**



**Fig. 7**

UNITED STATES PATENT AND TRADEMARK OFFICE  
**CERTIFICATE OF CORRECTION**

PATENT NO. : Des. 533,425 S  
APPLICATION NO. : 29/240935  
DATED : December 12, 2006  
INVENTOR(S) : Theodore G. Yaksich

Page 1 of 1

It is certified that error appears in the above-identified patent and that said Letters Patent is hereby corrected as shown below:

On the Title page: #56 Foreign Patent Documents

Insert --GB 2091262 S 3/2000--.

Signed and Sealed this

Tenth Day of April, 2007

A handwritten signature in black ink on a light gray dotted background. The signature reads "Jon W. Dudas" in a cursive style.

JON W. DUDAS

*Director of the United States Patent and Trademark Office*