



US00D533424S

(12) **United States Design Patent**
Karlsson

(10) **Patent No.:** **US D533,424 S**

(45) **Date of Patent:** **** Dec. 12, 2006**

(54) **STARTING DEVICE FOR CHAIN SAW**

(75) **Inventor:** **Kenneth Karlsson**, Hyssna (SE)

(73) **Assignee:** **Aktiebolaget Electrolux**, Stockholm (SE)

(**) **Term:** **14 Years**

(21) **Appl. No.:** **29/214,324**

(22) **Filed:** **Sep. 30, 2004**

(51) **LOC (8) Cl.** **08-03**

(52) **U.S. Cl.** **D8/70**

(58) **Field of Classification Search** D8/61-71,
D8/85; D15/133, 138, 139, 140; 30/307,
30/347, 355, 388, 389-391, 381, 382, 383,
30/504, 151; 123/193 E

See application file for complete search history.

(56) **References Cited**

U.S. PATENT DOCUMENTS

- 4,615,398 A * 10/1986 Nagashima 30/381
- 4,654,970 A * 4/1987 Nagashima 30/383
- D295,713 S * 5/1988 Nagashima et al. D8/65

- D302,931 S * 8/1989 Nakajima et al. D8/65
- 5,018,492 A * 5/1991 Wolf et al. 123/198 E
- D364,326 S * 11/1995 Lohse et al. D8/65
- D377,441 S * 1/1997 Hoppner et al. D8/65
- 5,595,153 A * 1/1997 Hoppner et al. 123/198 E
- 5,738,064 A * 4/1998 Lowe et al. 123/198 E
- 5,992,025 A * 11/1999 Fricke 30/382
- 2002/0046468 A1 * 4/2002 Kobayashi 30/383

* cited by examiner

Primary Examiner—T. Chase Nelson

(74) *Attorney, Agent, or Firm*—Pearne & Gordon LLP

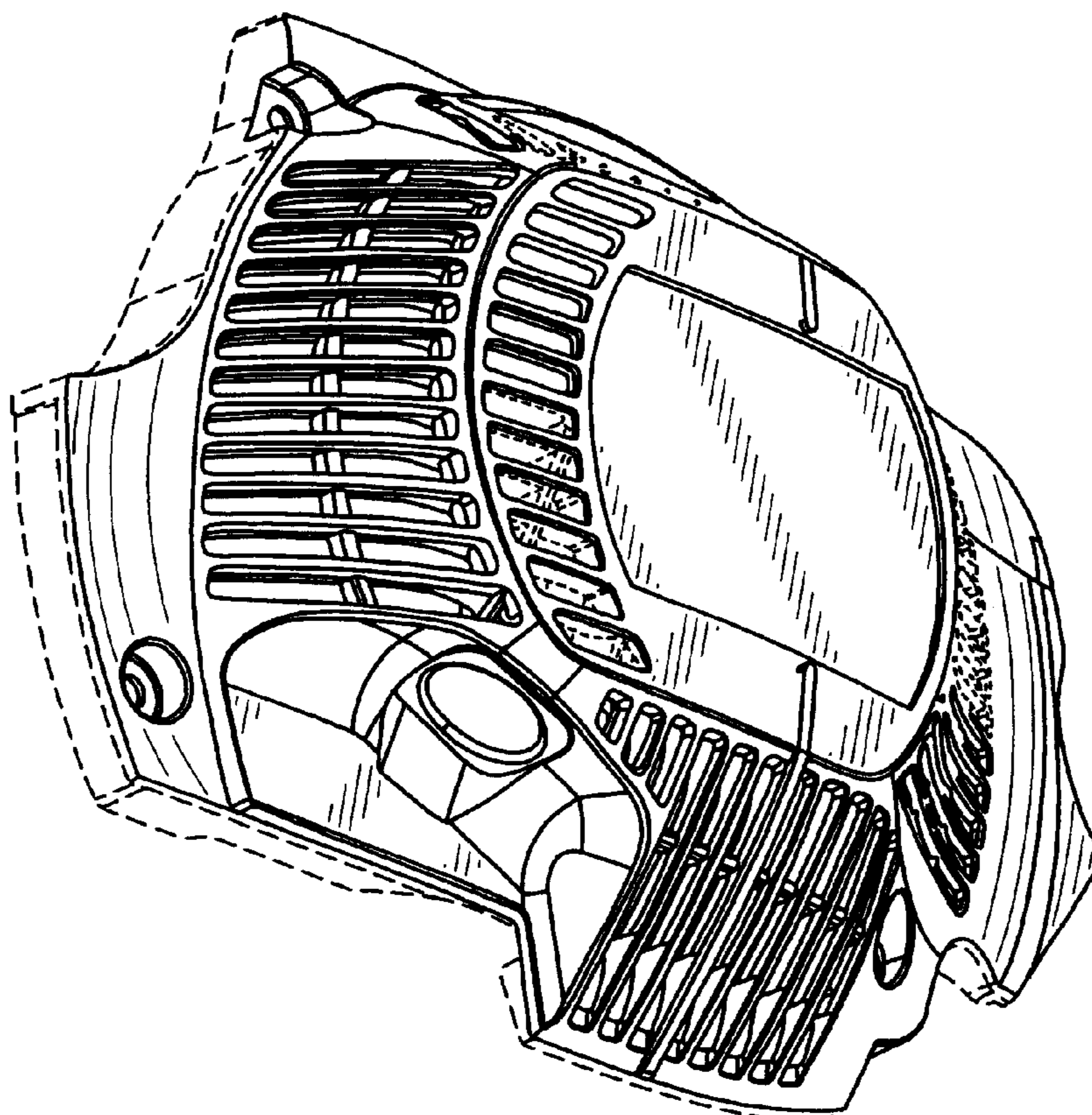
(57) **CLAIM**

The ornamental design for a starting device for chain saw, as shown and described.

DESCRIPTION

FIG. 1 is a perspective view of my new design for a starting device for chain saw; and, FIG. 2 is a plan view of the same side shown in FIG. 1. Certain portions are shown in broken line format and these portions shown in broken line form no part of the claimed design.

1 Claim, 2 Drawing Sheets



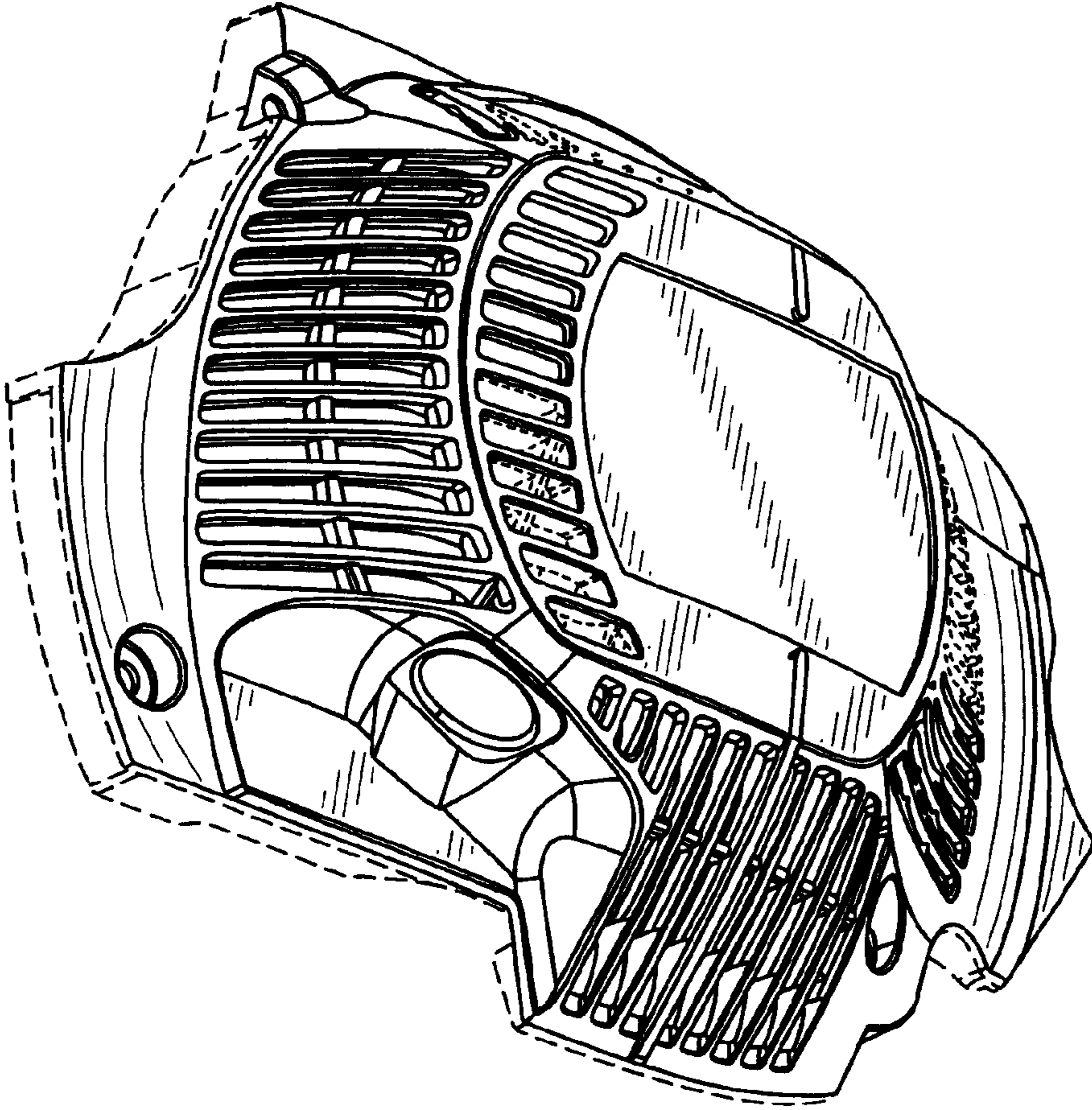


FIG. 1

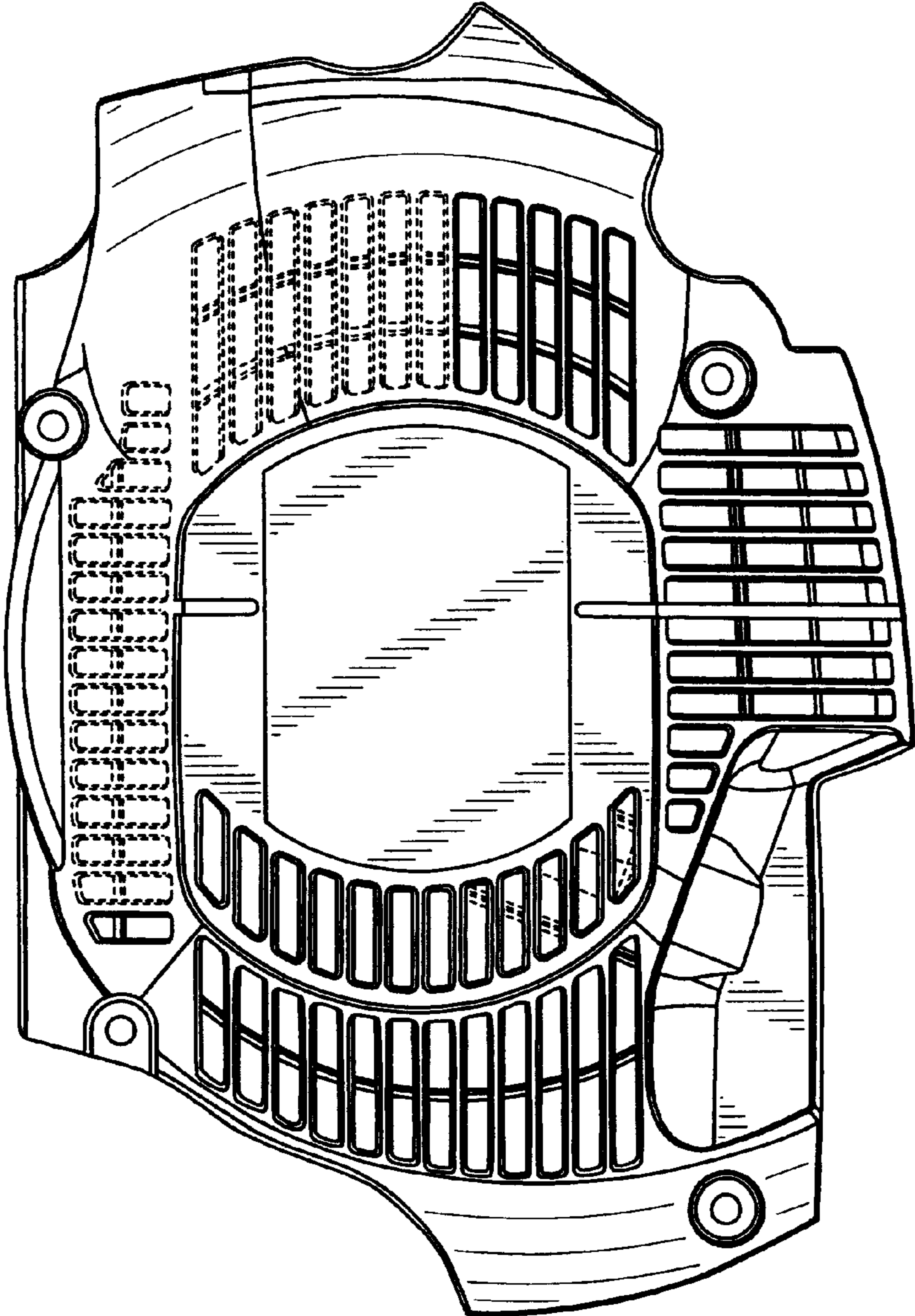


FIG. 2