



US00D533420S

(12) **United States Design Patent**
Waldron

(10) **Patent No.:** **US D533,420 S**

(45) **Date of Patent:** **** Dec. 12, 2006**

(54) **POWER TOOL DRILL**

(75) Inventor: **Michael Waldron**, Chester le Street
(GB)

(73) Assignee: **GMCA Pty Limited** (AU)

(**) Term: **14 Years**

(21) Appl. No.: **29/253,146**

(22) Filed: **Feb. 1, 2006**

(30) **Foreign Application Priority Data**

Nov. 3, 2005 (EM) 000427331-0001

(51) **LOC (8) Cl.** **08-01**

(52) **U.S. Cl.** **D8/68**

(58) **Field of Classification Search** D8/14.1,
D8/49, 61-64, 65, 66, 67, 68, 69, 70; 81/57.11,
81/429, 464, 465, 466, 469, 489; 173/13,
173/104, 114, 168, 169, 170, 171, 178, 201,
173/211, 213, 217; 408/20, 124, 125, 234,
408/241 R; 451/358; 310/50; 227/8, 114,
227/120, 130, 136, 142, 132, 134, 127, 128,
227/113

See application file for complete search history.

(56) **References Cited**

U.S. PATENT DOCUMENTS

4,479,555 A * 10/1984 Grossmann et al. 173/171
D280,797 S * 10/1985 Sakamoto et al. D8/68
4,689,534 A * 8/1987 Gerber et al. 310/50
4,820,090 A * 4/1989 Chen 408/241 R
5,036,925 A * 8/1991 Wache 173/104
D319,763 S * 9/1991 Reiferscheid D8/68
D396,395 S * 7/1998 Zurwelle D8/68
D406,742 S * 3/1999 Schoen et al. D8/68
D439,123 S * 3/2001 Sakai et al. D8/68
D441,268 S * 5/2001 Heun D8/68
D466,779 S * 12/2002 Shibata et al. D8/68
D470,379 S * 2/2003 Andriolo D8/68
6,536,537 B1 * 3/2003 Sasaki et al. 173/178
D486,049 S * 2/2004 Sugiura et al. D8/68

6,698,530 B1 * 3/2004 Hecht 173/104
D488,978 S * 4/2004 Cheung D8/68
D490,677 S * 6/2004 Chung et al. D8/68
D496,574 S * 9/2004 Sakai et al. D8/68
D498,400 S * 11/2004 Wu D8/68
D502,374 S * 3/2005 Aglassinger D8/68
D502,375 S * 3/2005 Aglassinger D8/68
D502,376 S * 3/2005 Andriolo D8/68
D507,950 S * 8/2005 Aglassinger D8/68
D511,286 S * 11/2005 Aglassinger D8/68
D513,951 S * 1/2006 Chung et al. D8/68
2003/0146008 A1 * 8/2003 Andriolo 173/217
2004/0206522 A1 * 10/2004 Etter et al. 173/170
2005/0082072 A1 * 4/2005 Nicolantonio et al. 173/170
2005/0247466 A1 * 11/2005 Andriolo et al. 173/170

FOREIGN PATENT DOCUMENTS

GB 2068866 S * 3/1997
GB 2068869 S * 3/1997
GB 2104779 S * 9/2001
GB 3005651 S * 7/2002

* cited by examiner

Primary Examiner—T. Chase Nelson

(74) *Attorney, Agent, or Firm*—McKee, Voorhees & Sease,
P.L.C.

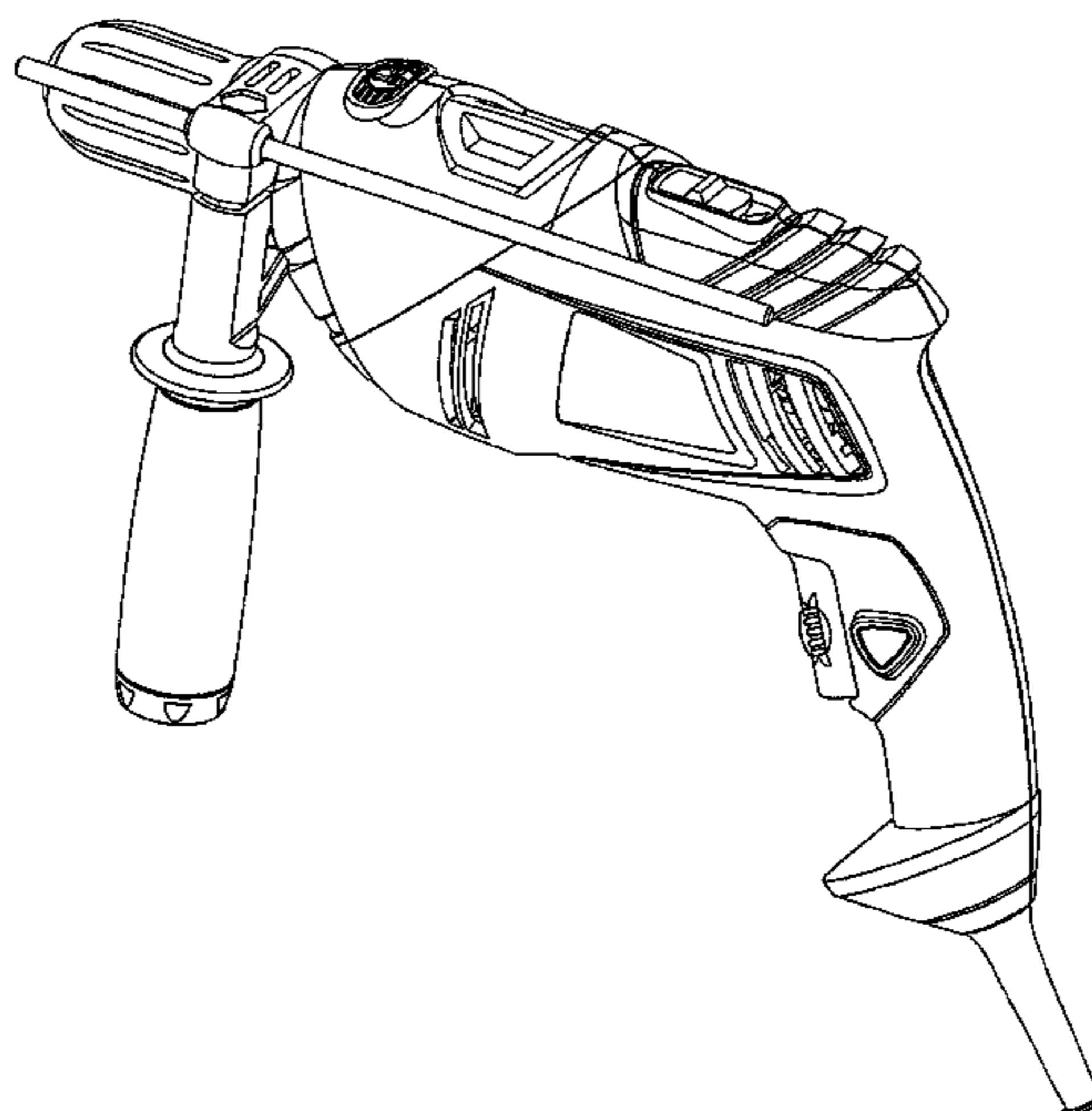
(57) **CLAIM**

I claim the ornamental design for a power tool drill, sub-
stantially as shown.

DESCRIPTION

FIG. 1 is a side perspective view of the power tool drill.
FIG. 2 is an opposite side perspective view of the power tool
drill.
FIG. 3 is a bottom view of the power tool drill.
FIG. 4 is a rear view of the power tool drill.
FIG. 5 is a side view of the power tool drill.
FIG. 6 is a front view of the power tool drill.
FIG. 7 is an opposite side view of that shown in FIG. 5 of
the power tool drill; and,
FIG. 8 is a top view of the power tool drill.

1 Claim, 8 Drawing Sheets



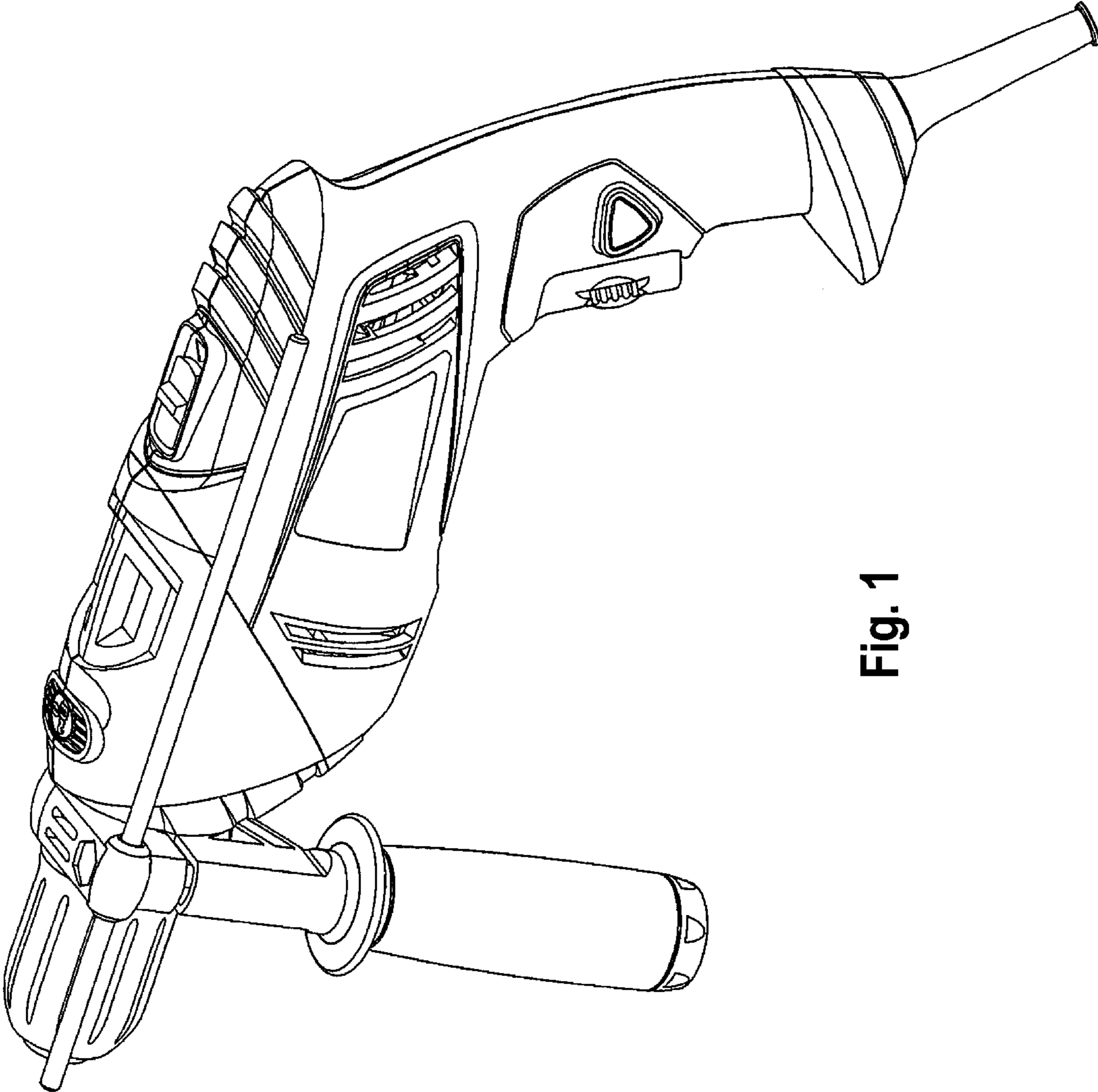


Fig. 1

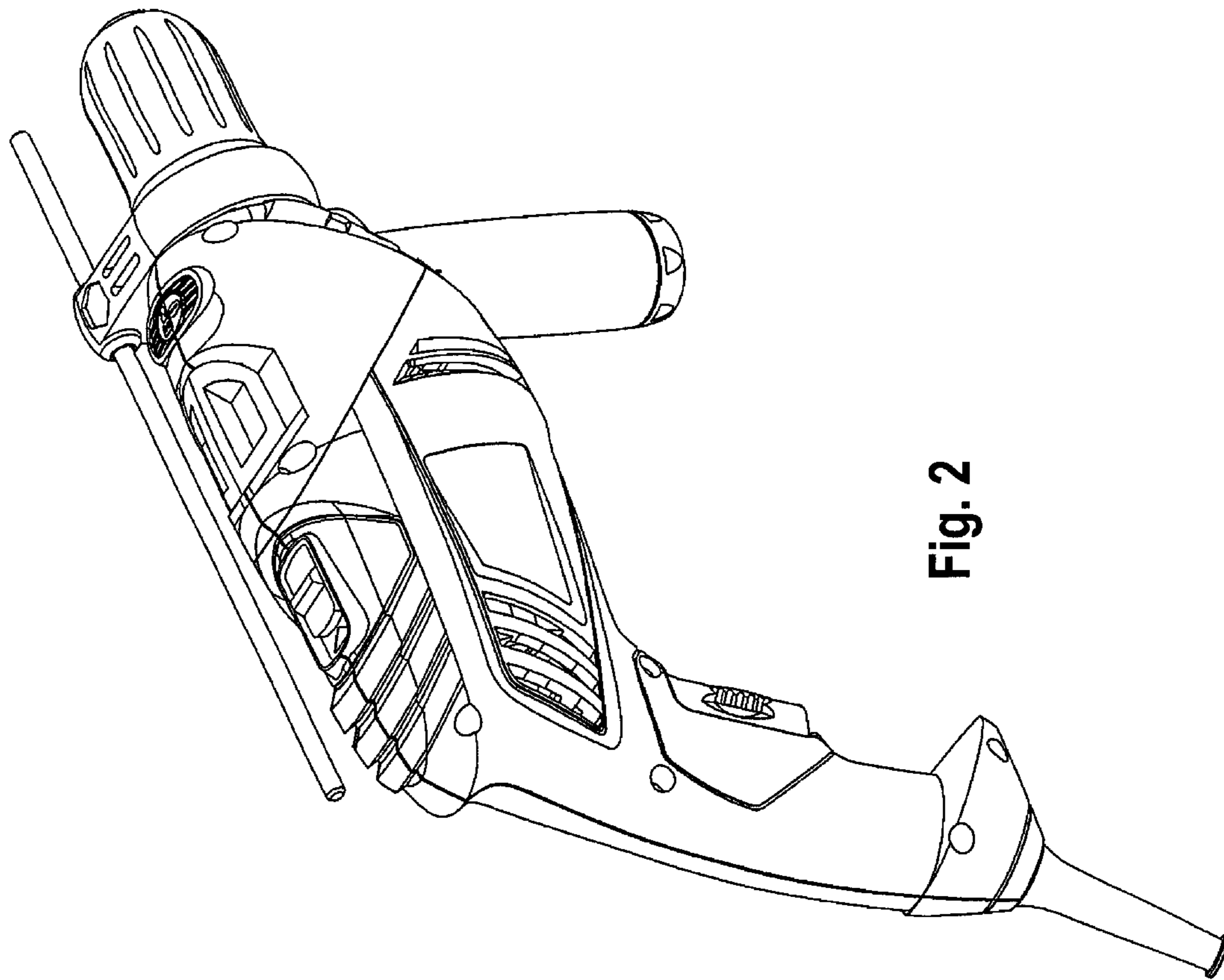


Fig. 2

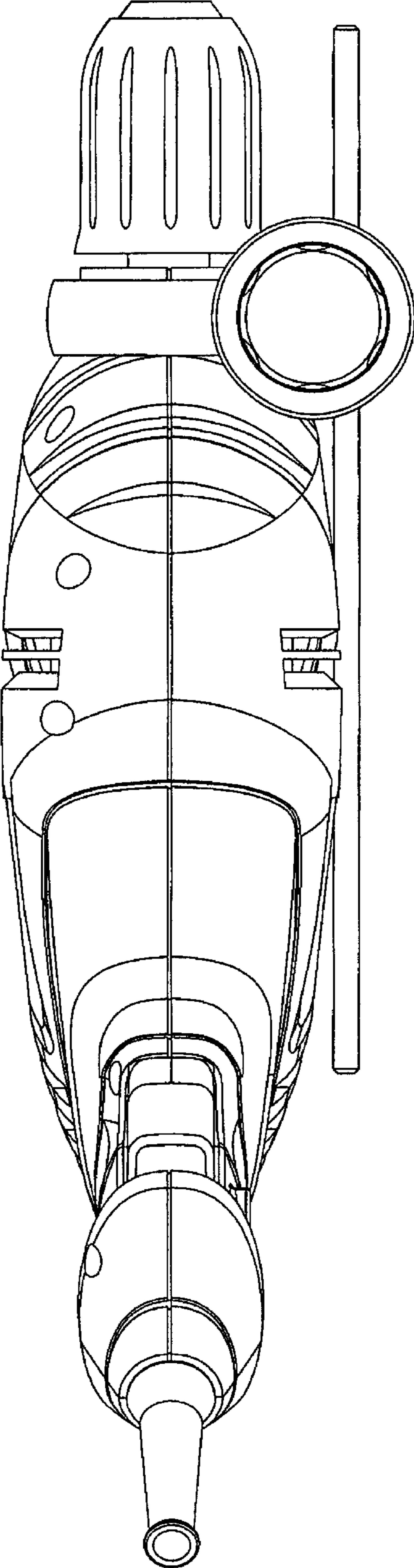


Fig. 3

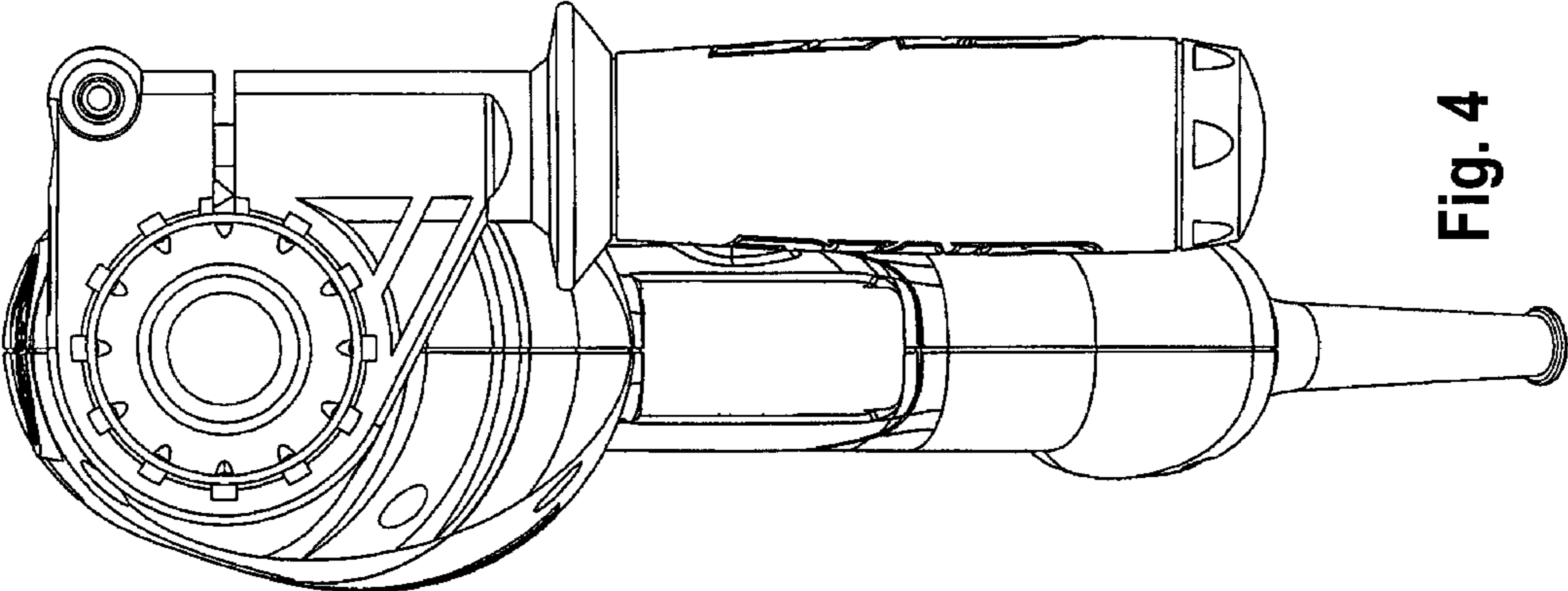


Fig. 4

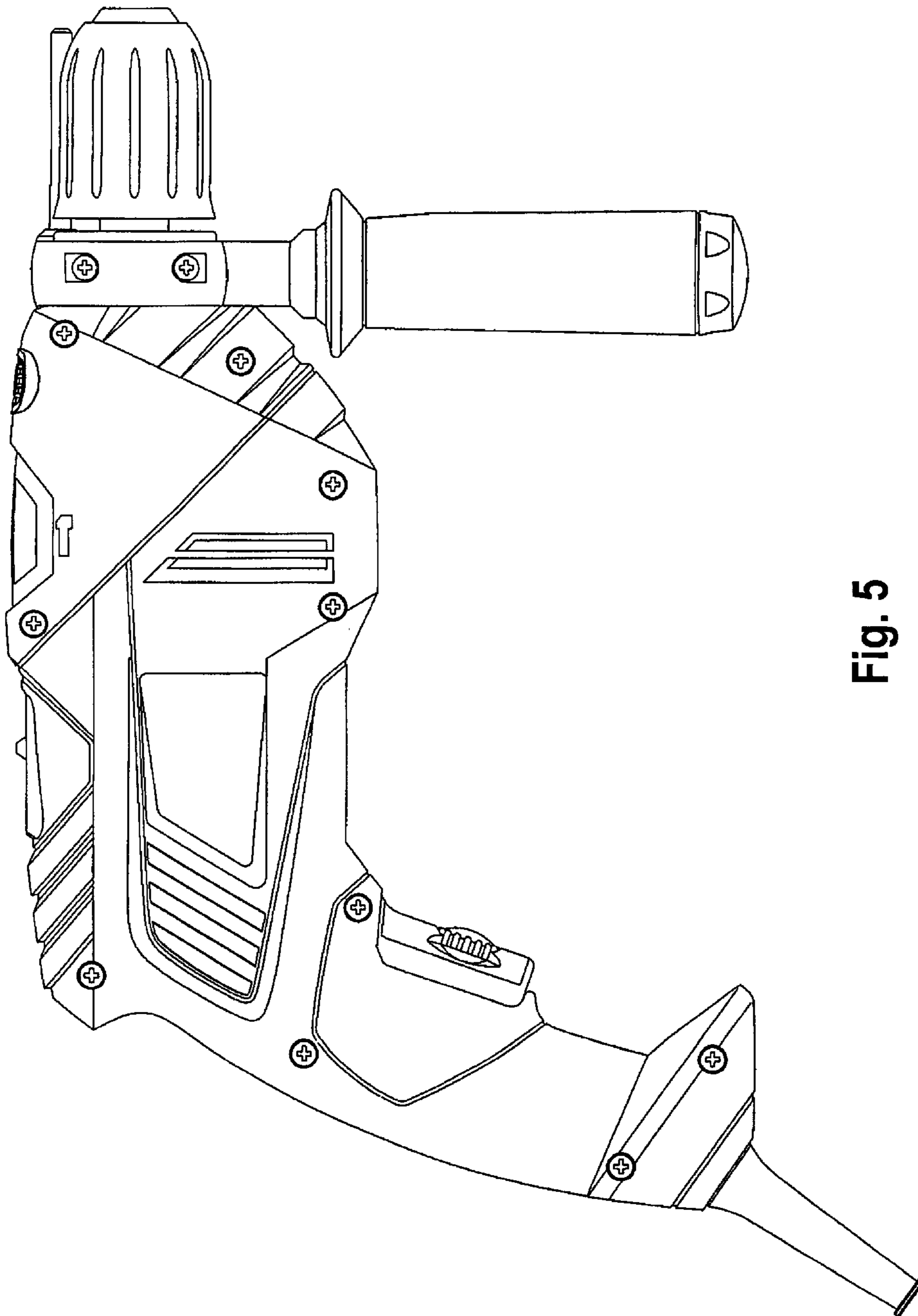


Fig. 5

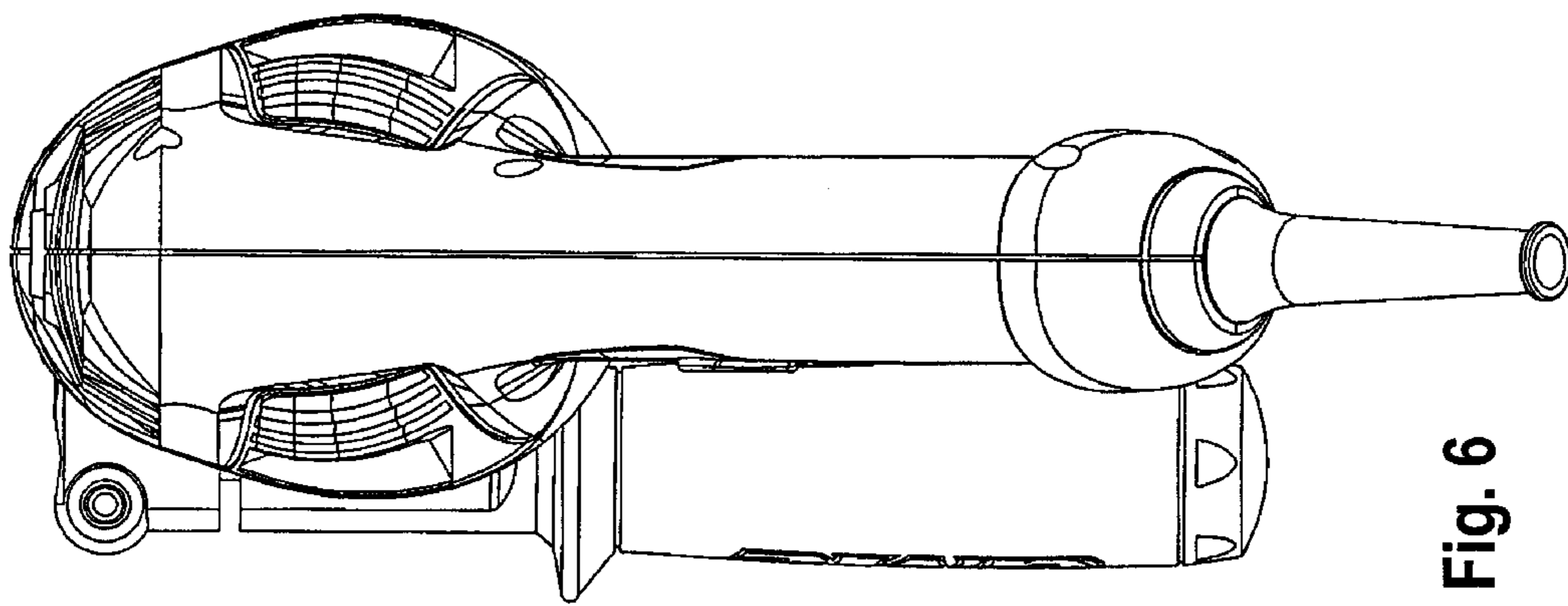


Fig. 6

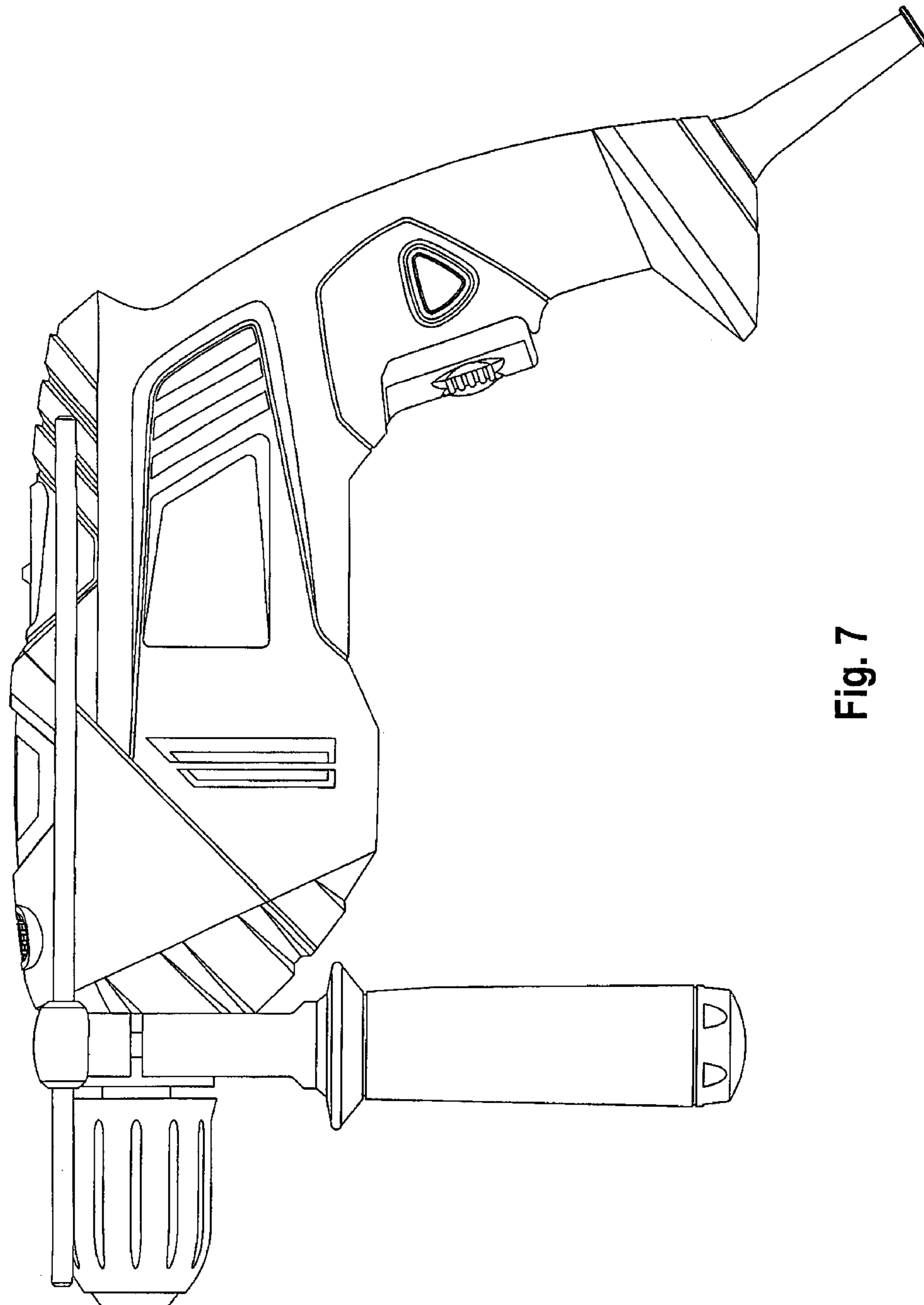


Fig. 7

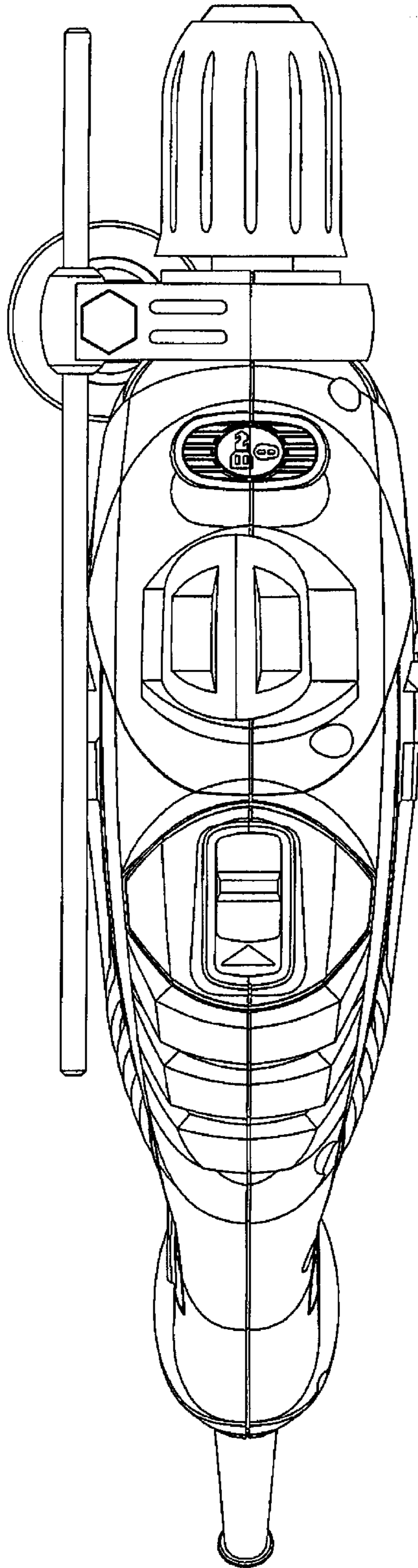


Fig. 8