



US00D533409S

(12) **United States Design Patent**
Yamada

(10) **Patent No.:** **US D533,409 S**
(45) **Date of Patent:** **** Dec. 12, 2006**

(54) **KNIFE BLOCK**

D441,617 S * 5/2001 Lin D7/640

(75) Inventor: **Komin Yamada**, Tokyo (JP)

* cited by examiner

(73) Assignee: **Yoshida Metal Industry Co., Ltd**,
Niigata (JP)

Primary Examiner—Terry A. Wallace

(74) *Attorney, Agent, or Firm*—Jacobson Holman PLLC

(**) Term: **14 Years**

(57) **CLAIM**

(21) Appl. No.: **29/243,825**

The ornamental design for a knife block, as shown and described.

(22) Filed: **Dec. 1, 2005**

DESCRIPTION

(30) **Foreign Application Priority Data**

Jun. 2, 2005 (JP) 2005-016033

(51) **LOC (8) Cl.** **07-06**

(52) **U.S. Cl.** **D7/640**

(58) **Field of Classification Search** D7/637-641;
30/298.4; 211/70.6, 70.7, 60.1; 248/37.2,
248/37.6

See application file for complete search history.

FIG. 1 is a front elevational view of the knife block;
FIG. 2 is a rear elevational view of the knife block;
FIG. 3 is a right side elevational view of the knife block;
FIG. 4 is a left side elevational view of the knife block;
FIG. 5 is a top plan view of the knife block;
FIG. 6 is a bottom plan view of the knife block;
FIG. 7 is a sectional view of the knife block, taken along line
7—7 in FIG. 1; and,
FIG. 8 is a top right side perspective view of the knife block.

(56) **References Cited**

U.S. PATENT DOCUMENTS

D280,587 S * 9/1985 Carlson D7/637

1 Claim, 4 Drawing Sheets

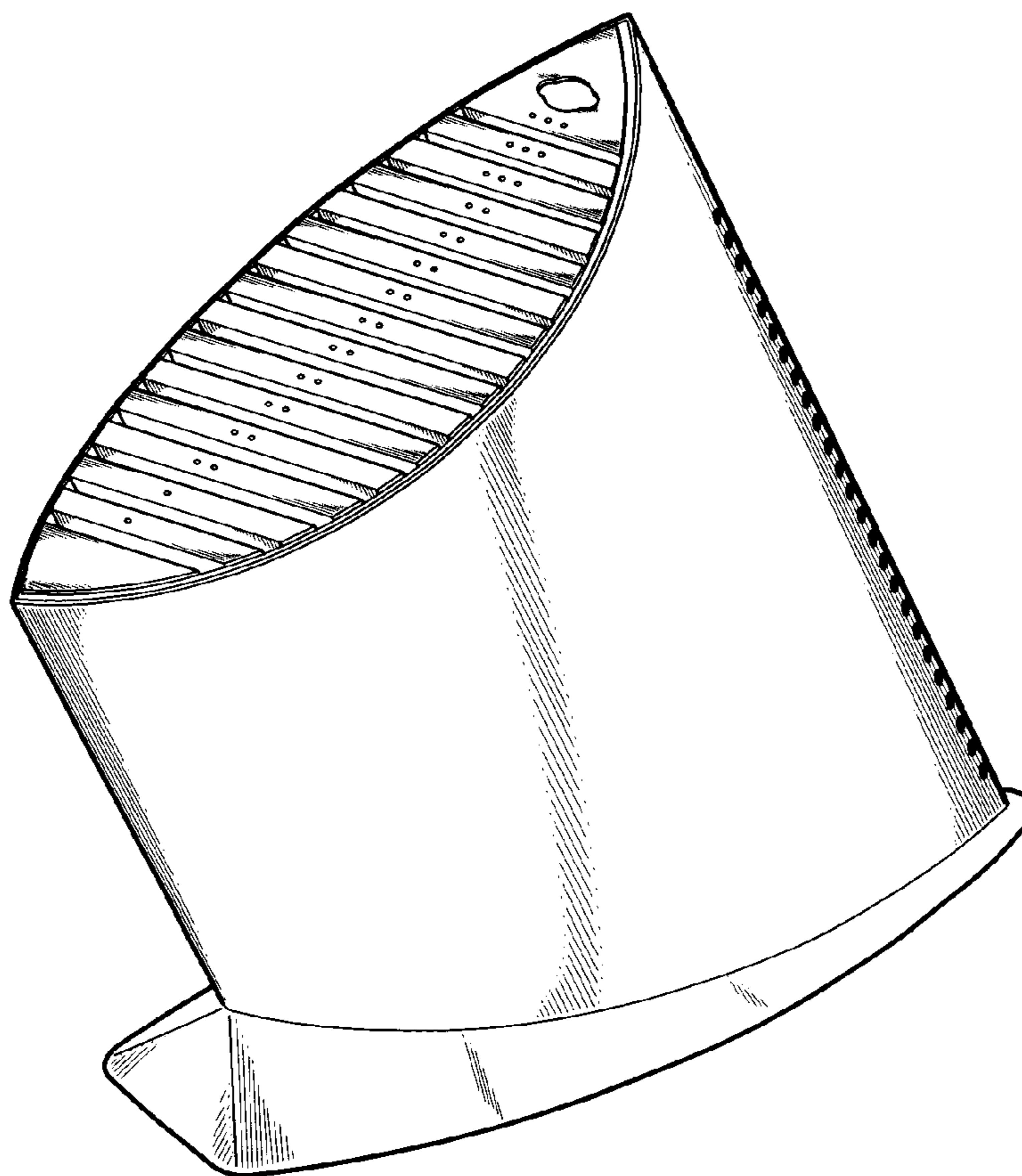


FIG. 1



FIG. 2

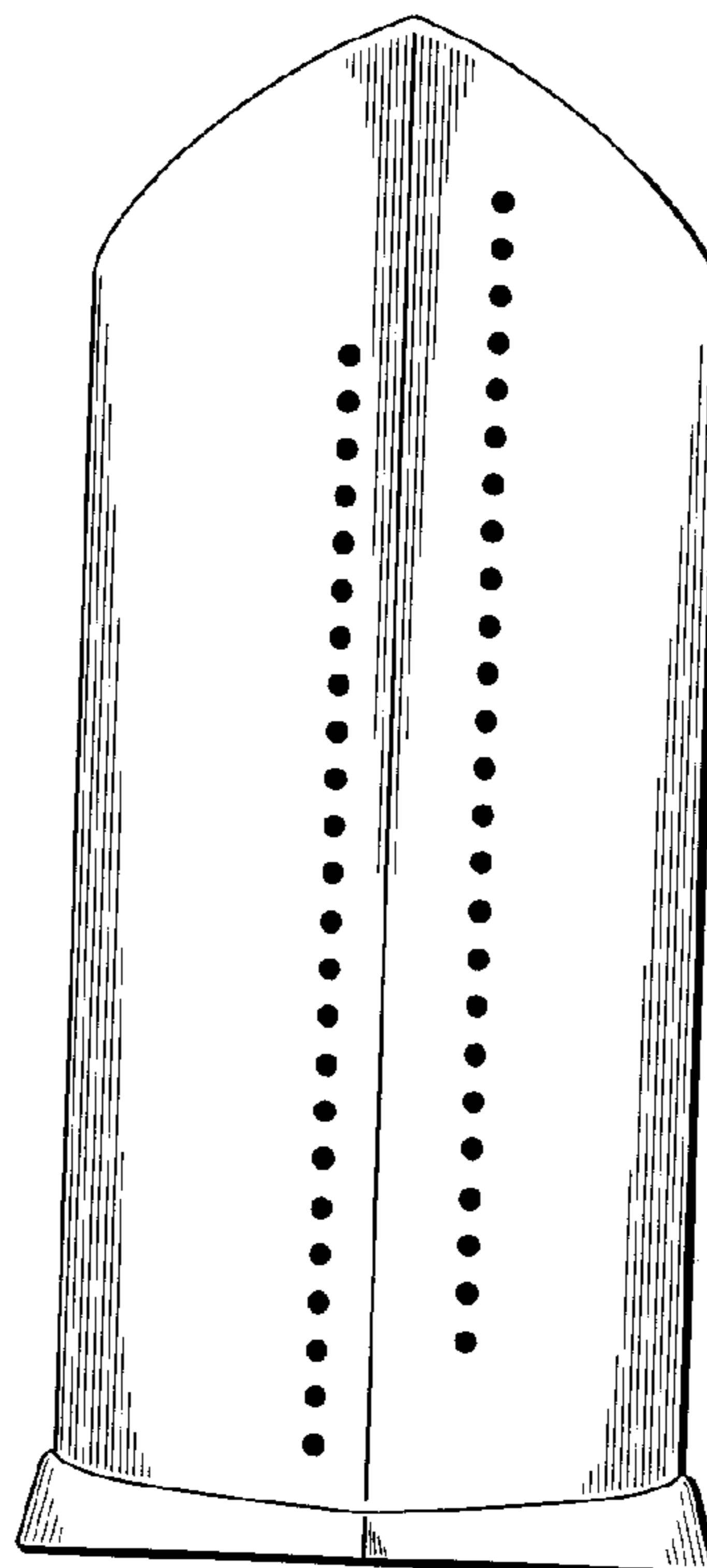


FIG. 3

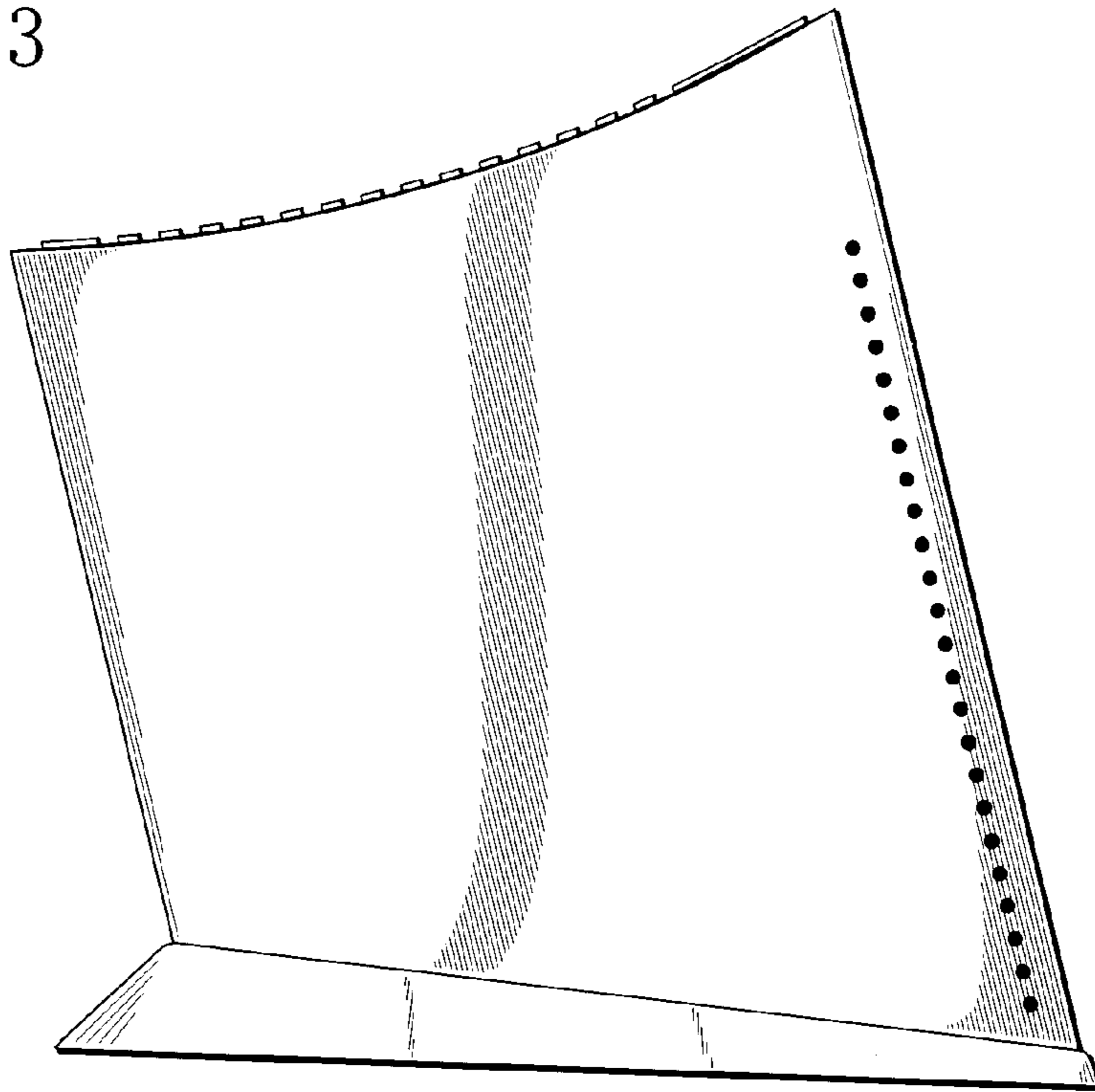


FIG. 4

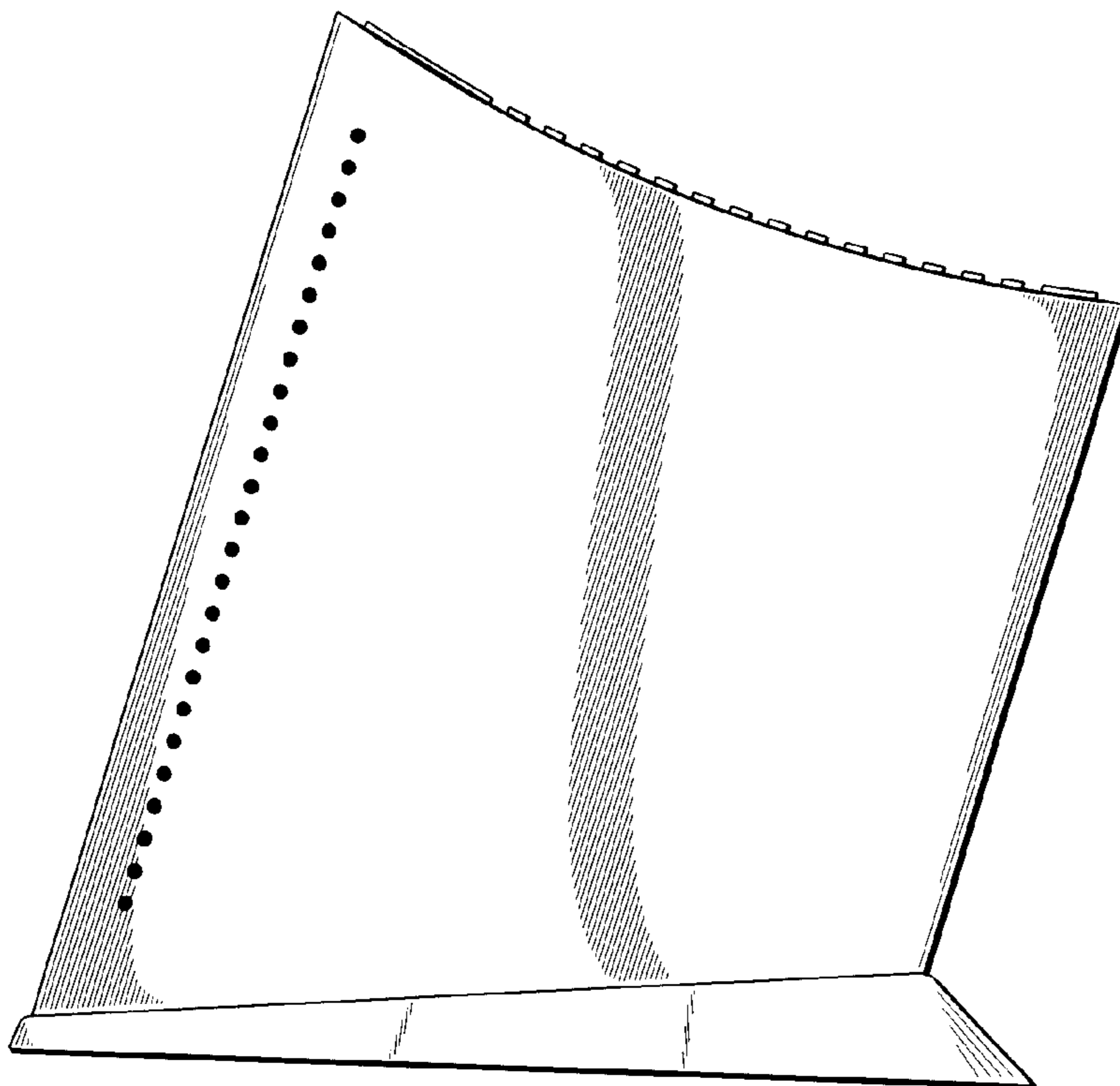


FIG. 5

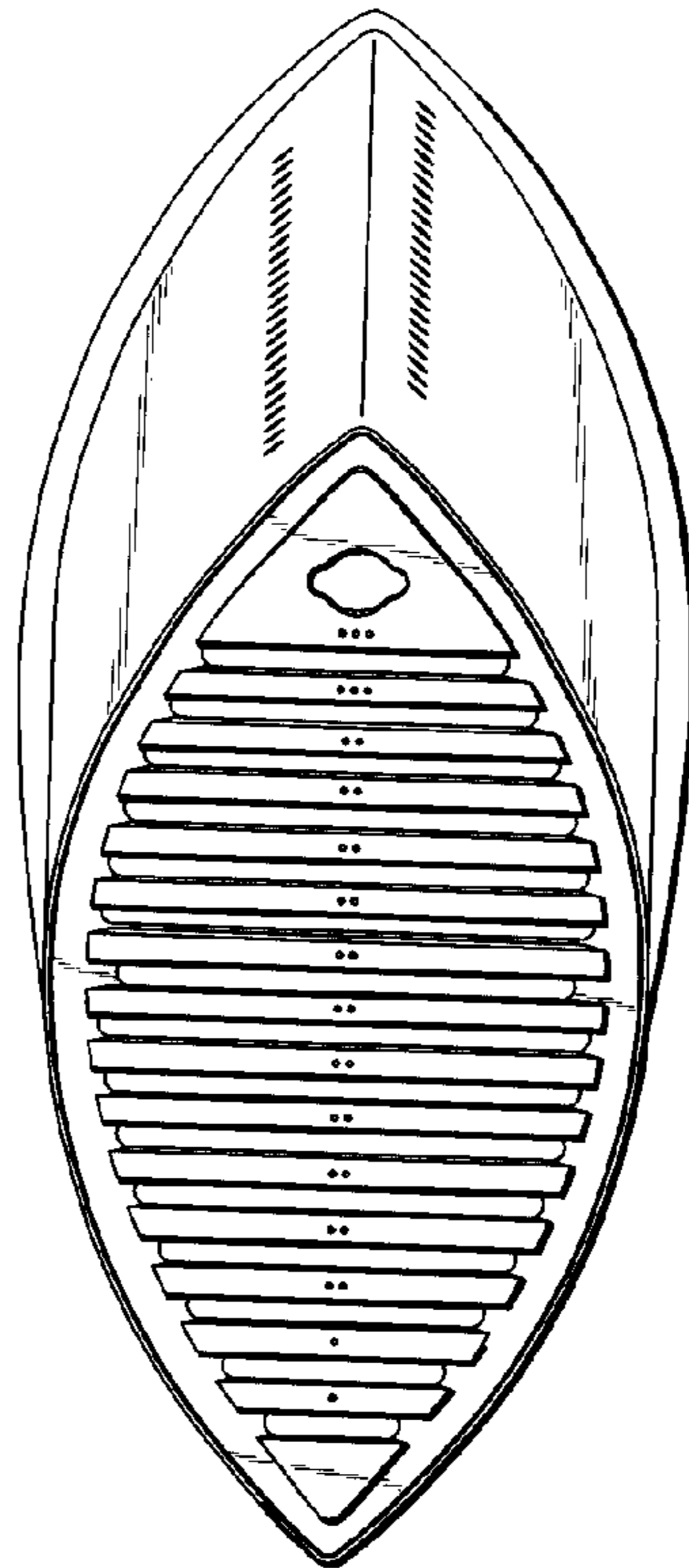


FIG. 6

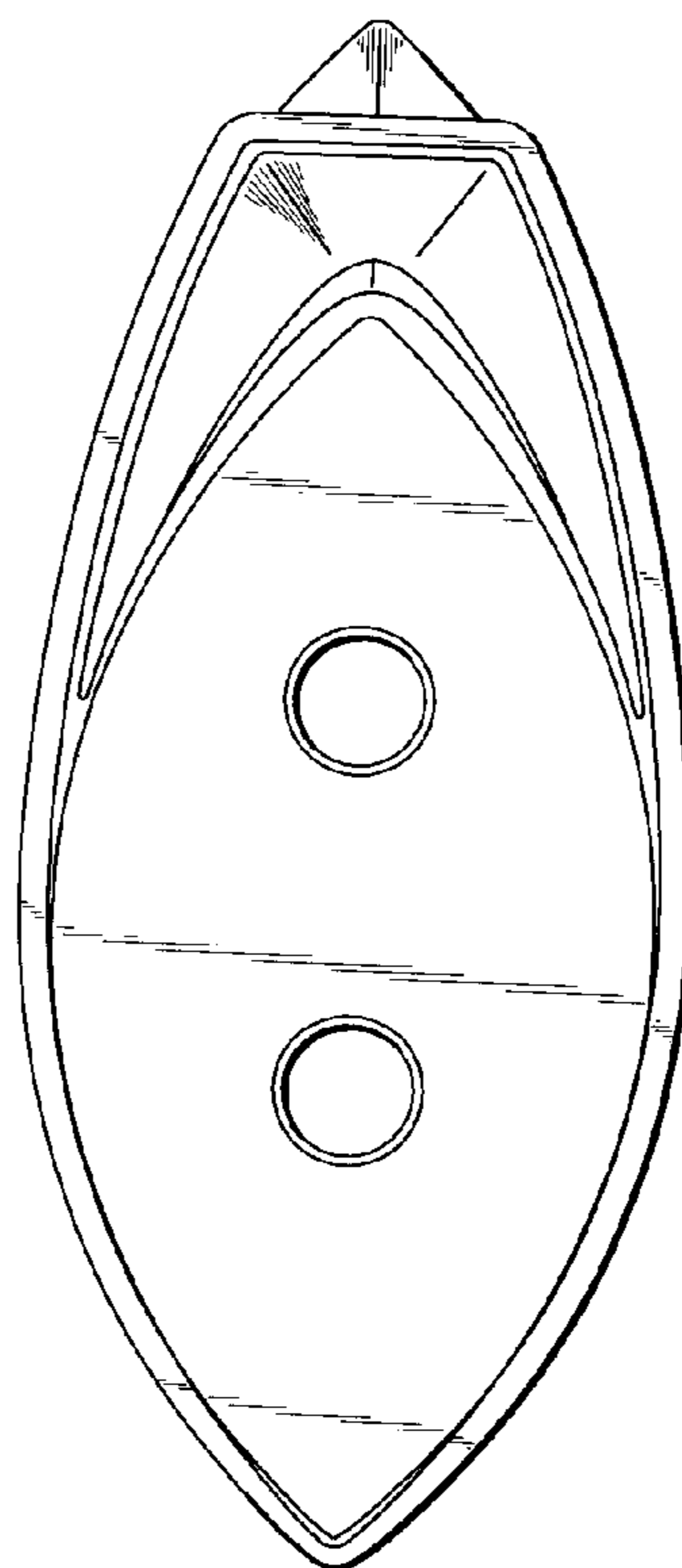


FIG. 7

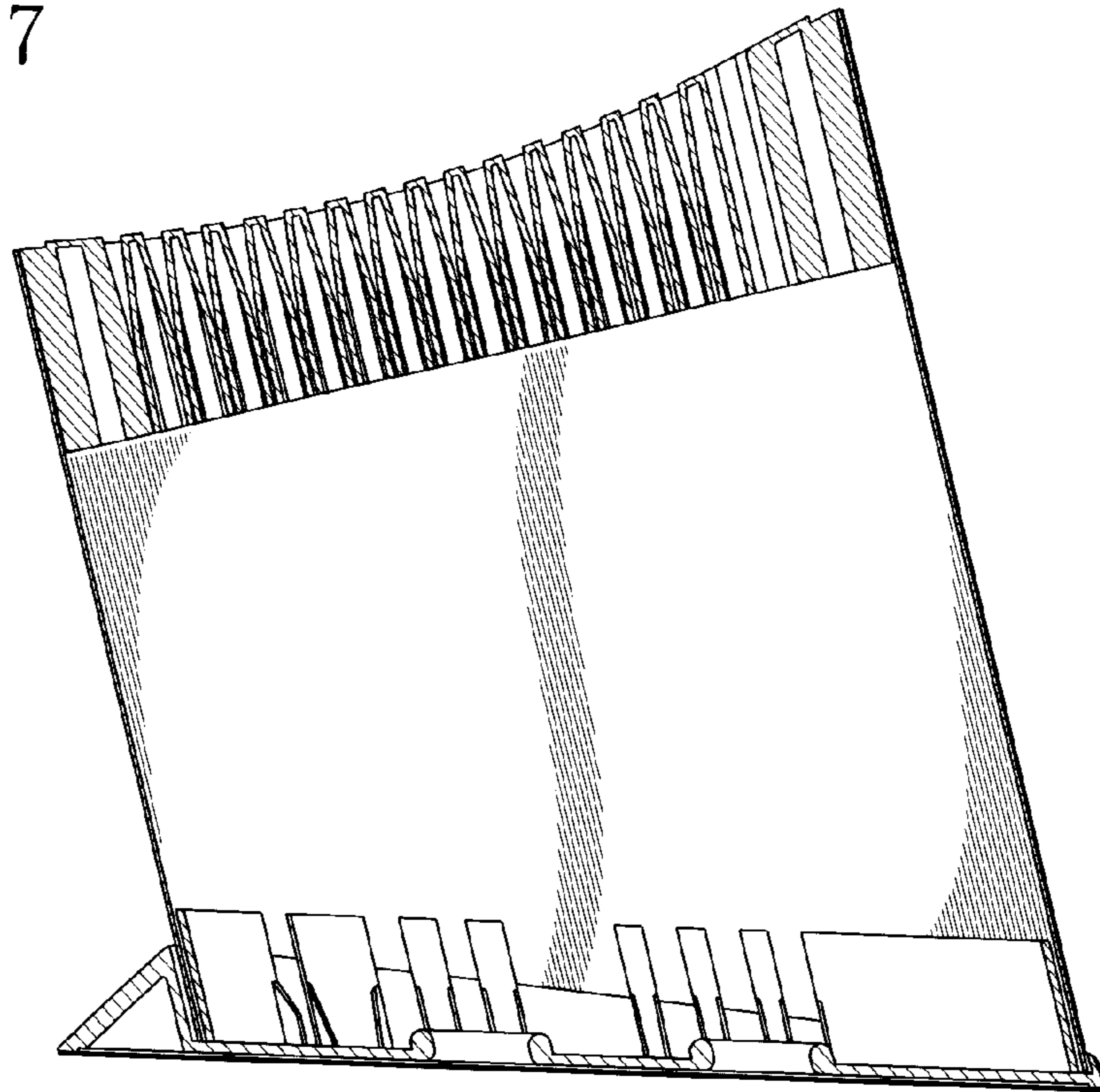


FIG. 8

