



US00D533404S

(12) **United States Design Patent** (10) **Patent No.:** **US D533,404 S**
Mansfield (45) **Date of Patent:** **** Dec. 12, 2006**

(54) **SHOT GLASS**

(75) Inventor: **Bryan D. Mansfield**, Bradenton, FL (US)

(73) Assignee: **Hurricane Shooters, LLC**, Bradenton, FL (US)

(**) Term: **14 Years**

(21) Appl. No.: **29/241,046**

(22) Filed: **Oct. 21, 2005**

(51) **LOC (8) Cl.** **07-01**

(52) **U.S. Cl.** **D7/513; D7/532; D7/523**

(58) **Field of Classification Search** D7/507, D7/509, 503, 523, 513, 555, 557, 532, 396.1, D7/396.2; D11/144; 215/12.1; 220/575, 573.2, 220/573.1, 662, 676, DIG. 13, 506, 231, 220/719, 675, 707, 705, 737, 703, 704; 206/118, 206/103, 519, 520, 217; 229/409, 400.1, 229/103.1; 249/66.1, 11.5

See application file for complete search history.

(56) **References Cited**

U.S. PATENT DOCUMENTS

962,641 A	6/1910	Kaufman	
1,168,027 A	1/1916	Nirdlinger	
1,476,910 A	* 12/1923	Naugle	249/122
1,832,585 A	* 11/1931	Sample	206/103
1,968,263 A	* 7/1934	Reuther	215/12.1

(Continued)

OTHER PUBLICATIONS

Hurricane Shooters, LLC, Nightclub & Bar Magazine, Mar. 2005, p. 84 Available to the public about Feb. 10, 2005. Exhibited at show Mar. 1, 2005.

Bombshell Datasheet [online] Bombshell [retrieved on Nov. 16, 2005] Retrieved from the Internet: <URL: http://bombshells.info/advantages.html> 3 pages Domain registered Feb. 25, 2005.

Shot Glass Double Barrel Datasheet [online] Lingo, Inc. [Retrieved on Nov. 16, 2005] Retrieved from the Internet: <URL www.tooters.net> 1 page Domain registered May 13, 1998.

Disposabomb Datasheet [online] By George, LLC [retrieved on Nov. 16, 2005] Retrieved from the Internet: <URL http://www.disposabomb.com/home.htm> 1 page Domain registered May 13, 2005.

Bomber Datasheet [online] Hurricane Shooters, LLC [Retrieved on Nov. 22, 2005] Retrieved from the Internet: <URL www.hurricanesshooters.com/products.php> 1 page Domain registered Nov. 24, 2004.

Mansfield et al., Plural Chamber Drinking Cup 1125572 = pre-grant publication No. 2006021986. Oct. 21, 2005.

Mansfield, Shot Glass, 29241046, Oct. 21, 2005.

Mansfield, Shot Glass, 29241047, Oct. 21, 2005.

Mansfield et al., Drinking Cup, 11294630, Dec. 5, 2005.

Mansfield et al., Plural Chamber Drinking Cup, 11294640, Dec. 5, 2005.

Mansfield, Drinking Cup, 29244072 =this application. Dec. 5, 2005.

Mansfield, Drinking Cup, 29244074, Dec. 5, 2005.

Mansfield, Drinking Cup, 29244075, Dec. 5, 2005.

Mansfield, Drinking Cup, 29244076, Dec. 5, 2005.

Mansfield et al., Drinking Cup, 29244077, Dec. 5, 2005.

Mansfield, Drinking Cup, 29246552, Apr. 21, 2006.

Mansfield et al., Bottle Cover, 29246553, Apr. 21, 2006.

Primary Examiner—M. N. Pandozzi

(74) *Attorney, Agent, or Firm*—Mark Douma

(57) **CLAIM**

I claim the ornamental design for a shot glass, as shown and described.

DESCRIPTION

FIG. 1 is a perspective view of a shot glass showing my new design;

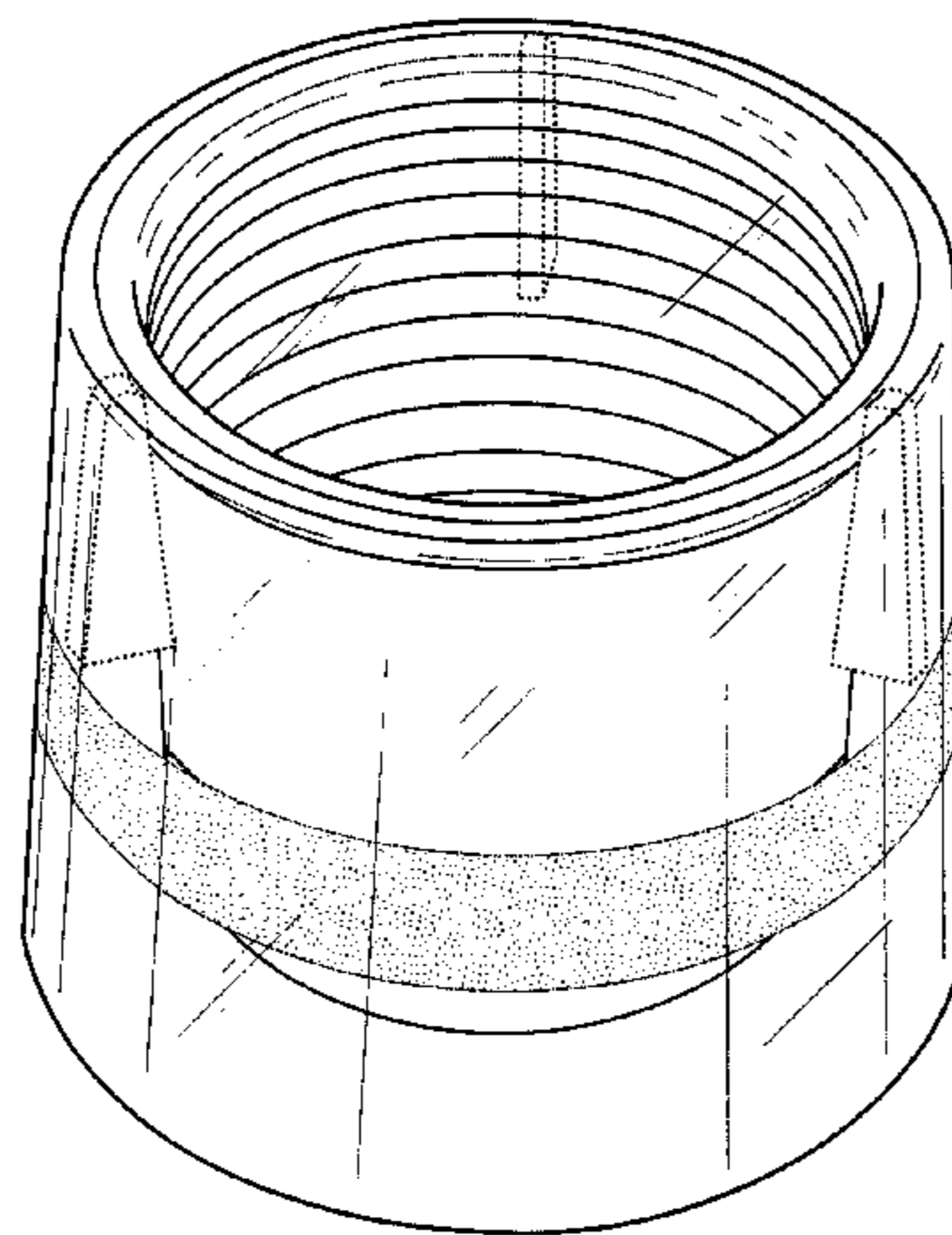
FIG. 2 is a side elevational view thereof, wherein all the claimed elements appear the same from all sides;

FIG. 3 is a top plan view thereof; and,

FIG. 4 is a bottom plan view thereof.

The broken lines in the drawings are for illustrative purposes only and do not form part of my design.

1 Claim, 3 Drawing Sheets



US D533,404 S

Page 2

U.S. PATENT DOCUMENTS

D101,721 S	4/1936	Spinelli		D363,854 S	11/1995	Katz	
D99,531 S *	5/1936	Sterling	D7/513	D369,518 S	5/1996	Wilson	
2,263,947 A	11/1941	Gottfried	220/710	D376,071 S	12/1996	Ballin	
2,288,044 A	6/1942	Stemme		D384,246 S	9/1997	McKnight	
2,493,633 A	1/1950	Mart		D397,915 S	9/1998	McNaughton	
D167,667 S	9/1952	Babany		D400,398 S	11/1998	McNaughton	
3,250,422 A *	5/1966	Parish	220/23.83	D416,443 S	11/1999	Kilpatrick	
3,269,144 A	8/1966	Poris	62/457.3	D420,254 S	2/2000	Park	D7/510
3,279,638 A	10/1966	Merry	215/395	6,059,443 A	5/2000	Casey	366/130
3,379,338 A	4/1968	Marks		D430,456 S	9/2000	Thuma	D7/509
3,603,485 A	9/1971	Vivier		6,138,862 A	10/2000	Tai	
D222,375 S	10/1971	Bencik		D448,241 S	9/2001	Morris, Jr.	D7/507
3,674,512 A	7/1972	Andros		6,363,978 B1	4/2002	Castillo	141/100
3,784,052 A	1/1974	Edwards		6,366,401 B1	4/2002	Gonda	
3,804,281 A	4/1974	Eckdahl		D459,946 S	7/2002	Willat	
3,971,471 A	7/1976	Ludder		6,421,890 B1 *	7/2002	Biggar	27/1
4,044,889 A	8/1977	Orentreich		6,502,712 B1	1/2003	Weber-Unger	
4,395,015 A *	7/1983	Reardon	249/115	6,571,977 B1	6/2003	Gonzalez	
4,410,085 A	10/1983	Beneziat		6,584,800 B1	7/2003	Roth et al.	62/457.3
D287,885 S	1/1987	Bolduc		D480,601 S	10/2003	Pettaweebuncha	
D289,484 S *	4/1987	Forquer et al.	D7/532	6,644,846 B1	11/2003	Willat	
D291,620 S	9/1987	Porchia		D484,361 S	12/2003	Jeung	
4,762,224 A	8/1988	Hall	206/221	6,814,990 B1	11/2004	Zeng	
D302,943 S	8/1989	Cuzenza	D9/697	D505,297 S	5/2005	Poeting	
D304,514 S *	11/1989	Vezirian et al.	D7/507	D507,721 S	7/2005	Schuler et al.	D7/509
4,919,295 A	4/1990	Hitzler		D508,372 S	8/2005	Matinez-Lopez	
D310,941 S *	10/1990	Carty	D28/44.1	6,932,231 B1	8/2005	Haynes et al.	220/212
4,991,713 A *	2/1991	Phillips	206/218	D510,234 S	10/2005	Schuler	
5,215,214 A *	6/1993	Lev et al.	222/1	2002/0153344 A1	10/2002	Pola	
D343,990 S	2/1994	Maraan, II		2003/0089718 A1 *	5/2003	Zinnbauer	220/359.2
D356,978 S	4/1995	Rahr		2006/0021986 A1	2/2006	Mansfield	
5,405,030 A	4/1995	Frazier					

* cited by examiner

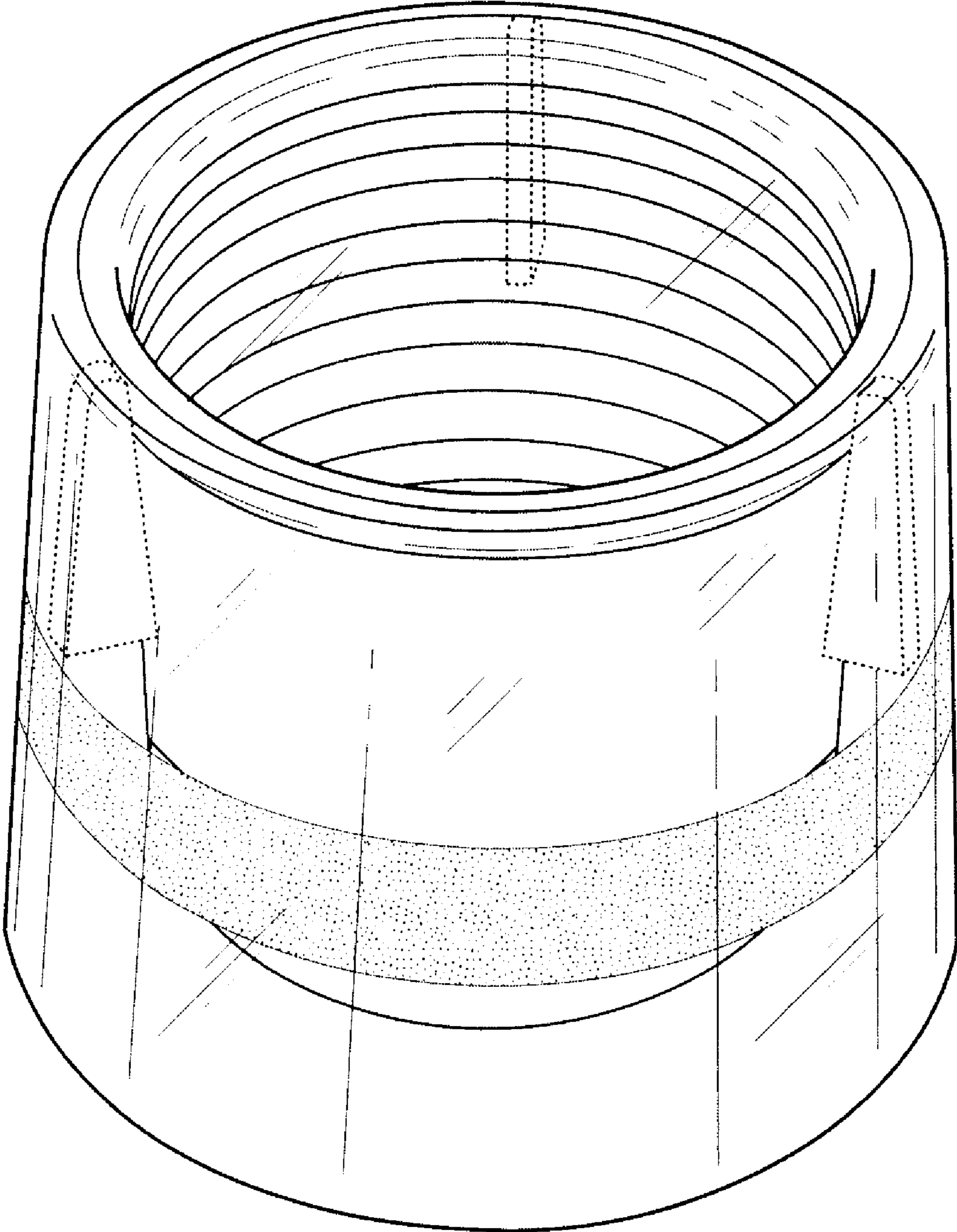


FIG. 1

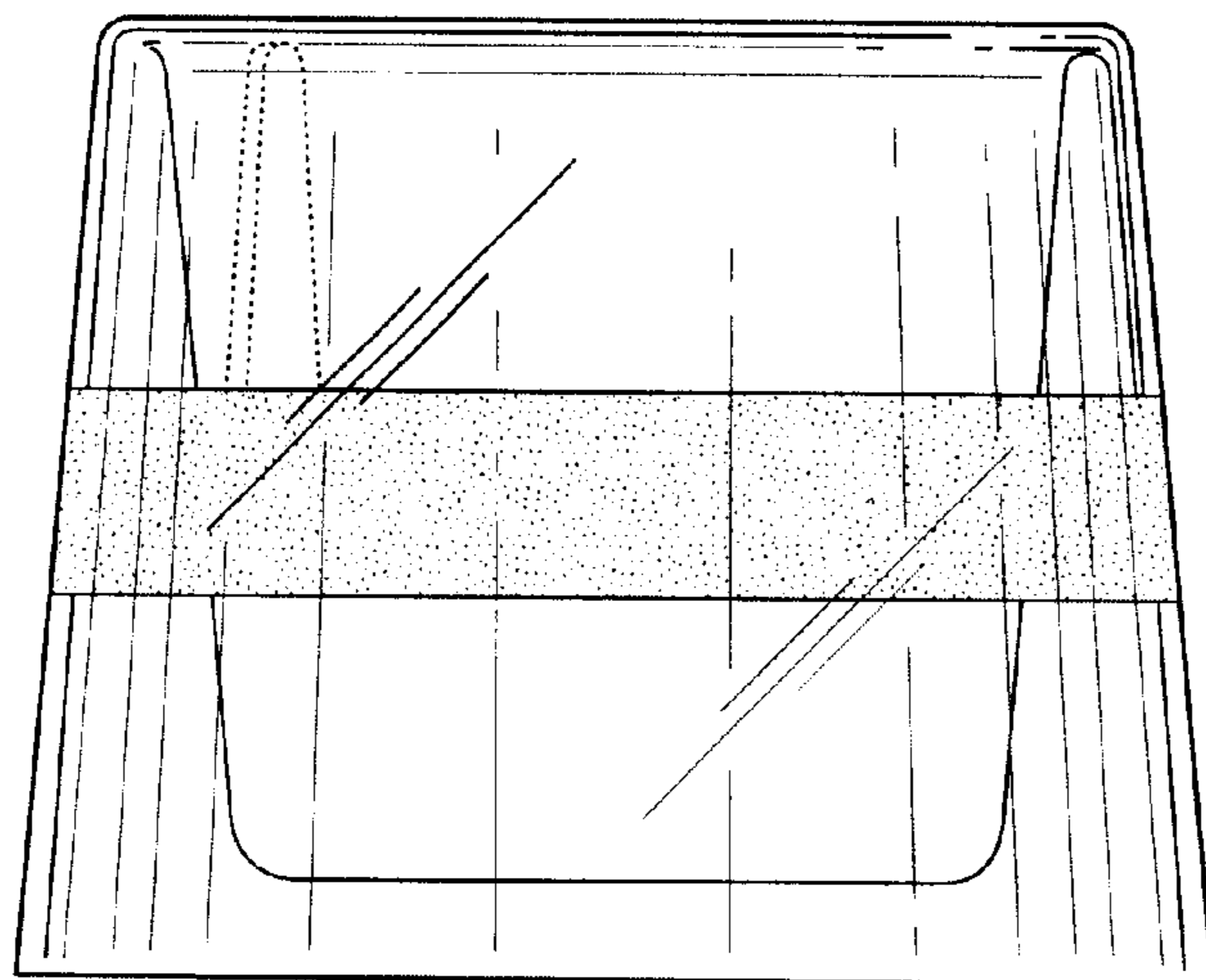


FIG. 2

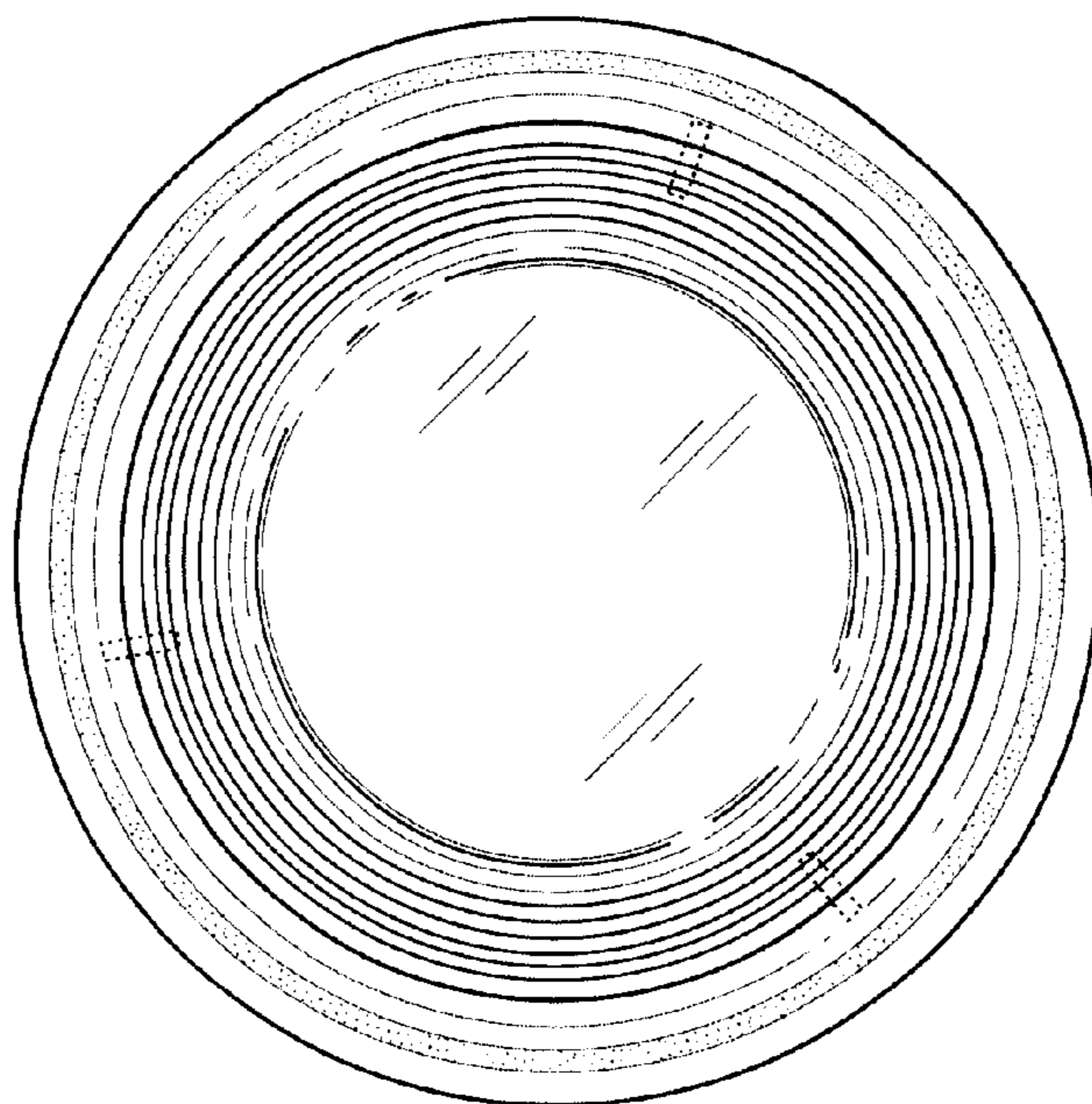


FIG. 3

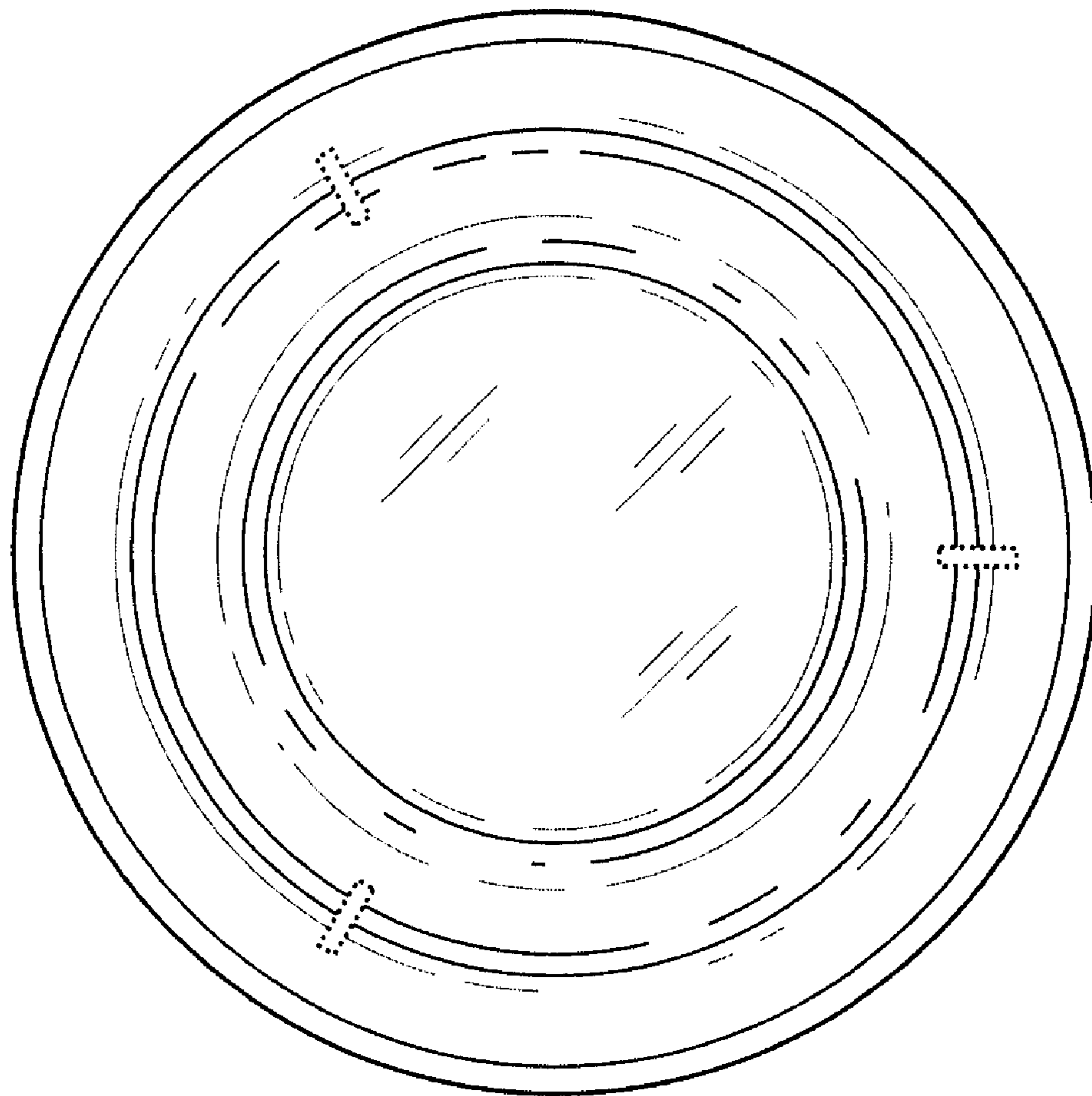


FIG. 4