



US00D533403S

(12) **United States Design Patent**  
**Bhavani**

(10) **Patent No.:** **US D533,403 S**

(45) **Date of Patent:** **\*\* Dec. 12, 2006**

(54) **TRAVEL MUG**

(75) Inventor: **Dilip Bhavani**, Beverly Hills, CA  
(US)

(73) Assignee: **Sun Coast Merchandise Corporation**,  
Commerce, CA (US)

(\*\*) Term: **14 Years**

(21) Appl. No.: **29/220,450**

(22) Filed: **Dec. 29, 2004**

(51) **LOC (8) Cl.** ..... **07-01**

(52) **U.S. Cl.** ..... **D7/510; D7/511; D7/533**

(58) **Field of Classification Search** ..... **D7/510,**  
**D7/511, 509, 533, 536, 523; D9/503, 502,**  
**D9/539, 530, 549, 689, 504, 446, 445, 429;**  
**220/212, 729, 705, 703, 708, 72, 719, 713,**  
**220/592.17; 215/395, 388, 12.1, 387; 229/400,**  
**229/403, 405, 406**

See application file for complete search history.

(56) **References Cited**

**U.S. PATENT DOCUMENTS**

|             |   |         |                |       |         |
|-------------|---|---------|----------------|-------|---------|
| D386,948 S  | * | 12/1997 | Wissinger      | ..... | D7/533  |
| 5,918,761 A | * | 7/1999  | Wissinger      | ..... | 220/713 |
| D424,878 S  | * | 5/2000  | Freed          | ..... | D7/533  |
| D425,758 S  | * | 5/2000  | Freed          | ..... | D7/533  |
| D426,109 S  | * | 6/2000  | Freed          | ..... | D7/533  |
| D427,853 S  | * | 7/2000  | Kohlhase       | ..... | D7/510  |
| D428,306 S  | * | 7/2000  | Lee            | ..... | D7/510  |
| D428,769 S  | * | 8/2000  | Mensch et al.  | ..... | D7/533  |
| D429,959 S  | * | 8/2000  | Otake          | ..... | D7/510  |
| D431,159 S  | * | 9/2000  | Otake          | ..... | D7/510  |
| D433,877 S  | * | 11/2000 | Bickert et al. | ..... | D7/536  |
| D439,473 S  | * | 3/2001  | Lin            | ..... | D7/510  |
| D444,673 S  | * | 7/2001  | Lin            | ..... | D7/510  |

|            |   |         |                   |       |        |
|------------|---|---------|-------------------|-------|--------|
| D457,395 S | * | 5/2002  | Gluck             | ..... | D7/510 |
| D460,324 S | * | 7/2002  | Norris et al.     | ..... | D7/533 |
| D467,124 S | * | 12/2002 | Janky             | ..... | D7/533 |
| D469,658 S | * | 2/2003  | Norris et al.     | ..... | D7/523 |
| D472,100 S | * | 3/2003  | Gullickson et al. | ..... | D7/510 |
| D472,425 S | * | 4/2003  | Hurlbut et al.    | ..... | D7/510 |
| D479,671 S | * | 9/2003  | Gluck             | ..... | D7/533 |
| D480,918 S | * | 10/2003 | Belton et al.     | ..... | D7/533 |
| D480,919 S | * | 10/2003 | Bin               | ..... | D7/533 |
| D482,933 S | * | 12/2003 | Norris et al.     | ..... | D7/533 |
| D483,226 S | * | 12/2003 | Belton et al.     | ..... | D7/533 |
| D483,615 S | * | 12/2003 | Norris et al.     | ..... | D7/533 |
| D486,997 S | * | 2/2004  | Janky             | ..... | D7/531 |
| D489,574 S | * | 5/2004  | Copeland          | ..... | D7/536 |
| D493,068 S | * | 7/2004  | Slater et al.     | ..... | D7/510 |
| D494,011 S | * | 8/2004  | Janky et al.      | ..... | D7/533 |
| D501,758 S | * | 2/2005  | Lebedev           | ..... | D7/536 |
| D511,653 S | * | 11/2005 | Oas               | ..... | D7/507 |
| D512,269 S | * | 12/2005 | Trombly           | ..... | D7/510 |
| D518,333 S | * | 4/2006  | Gluck             | ..... | D7/523 |

\* cited by examiner

*Primary Examiner*—M. N. Pandozzi

(74) *Attorney, Agent, or Firm*—The Soni Law Firm

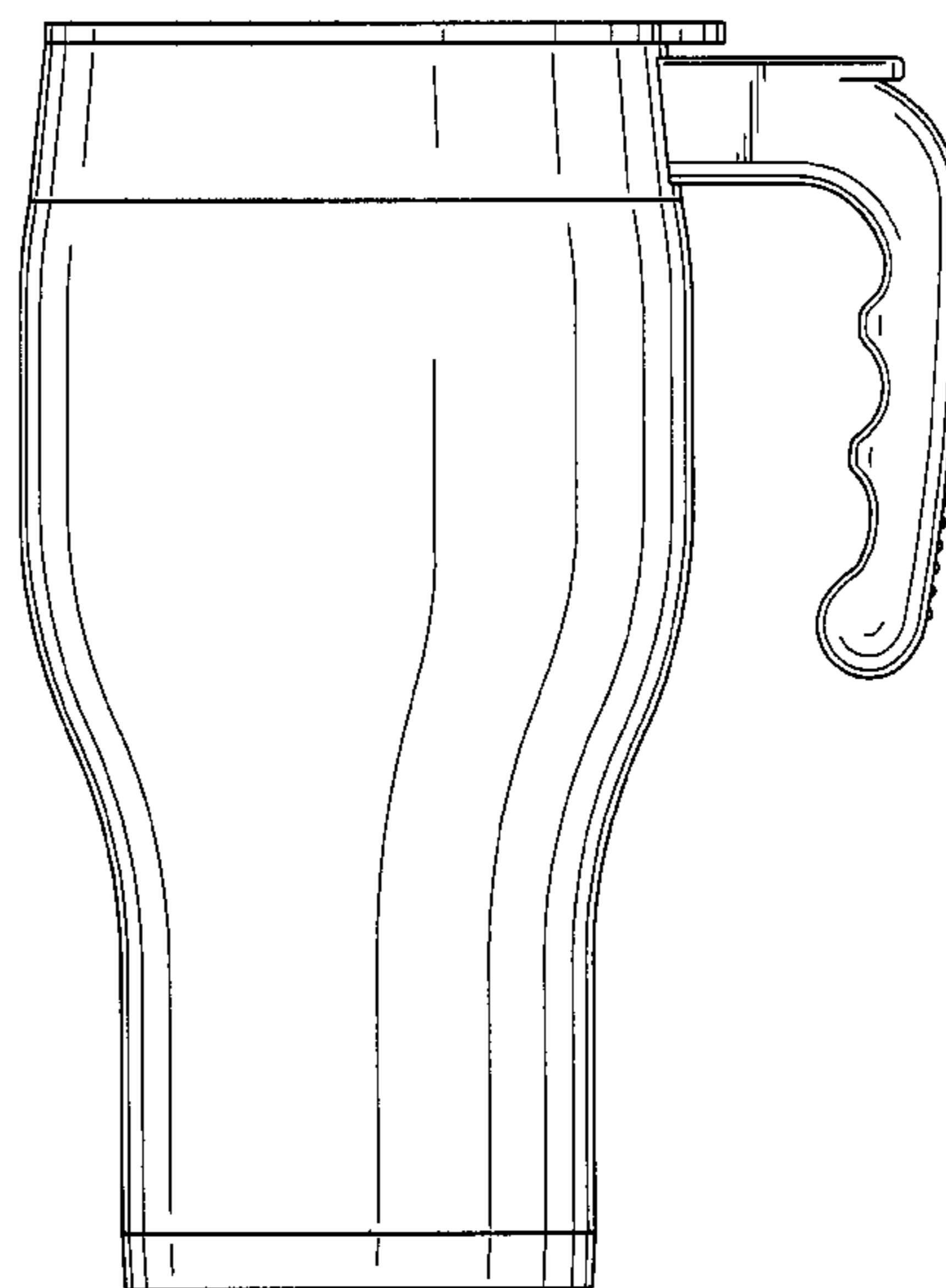
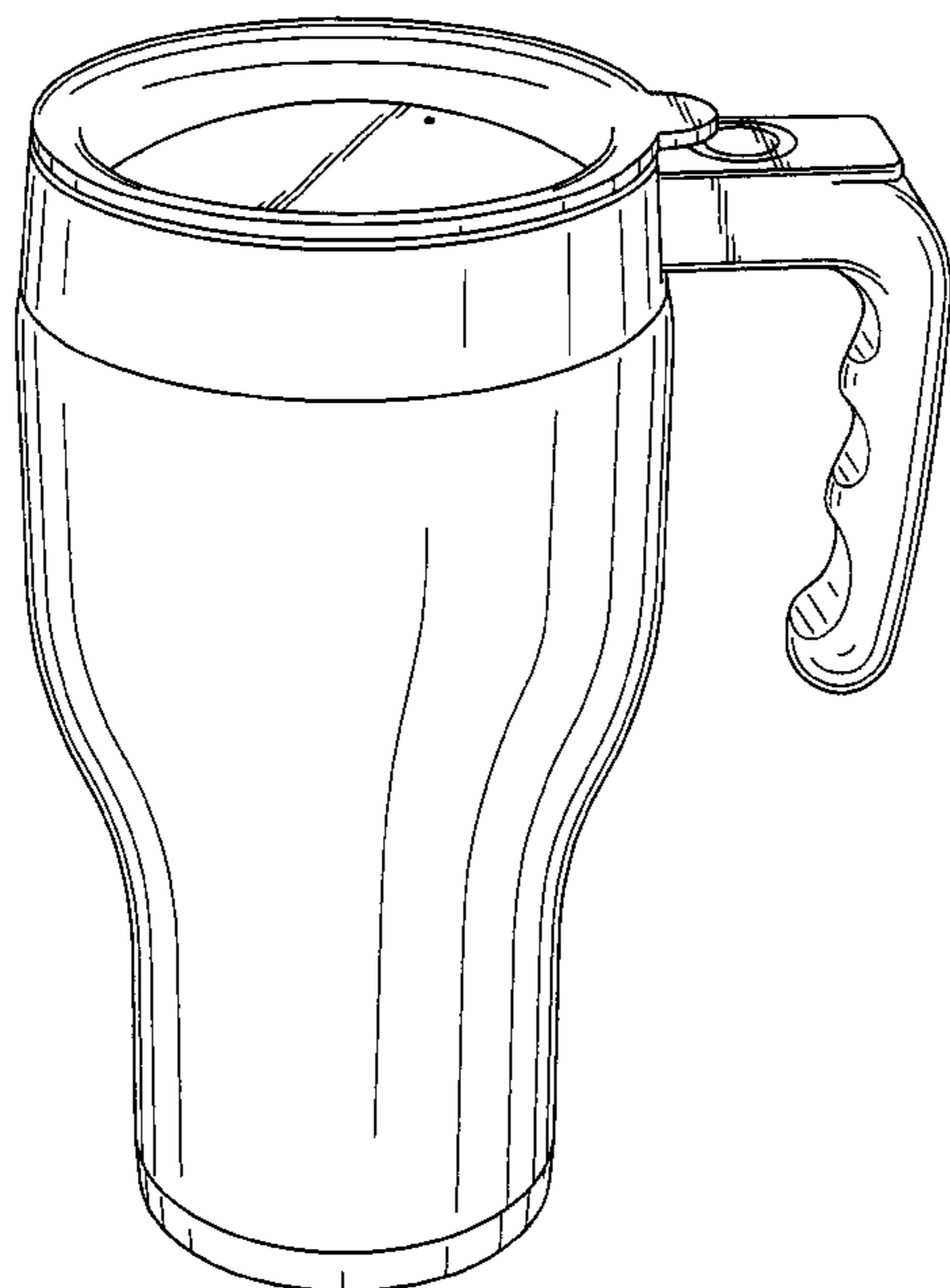
(57) **CLAIM**

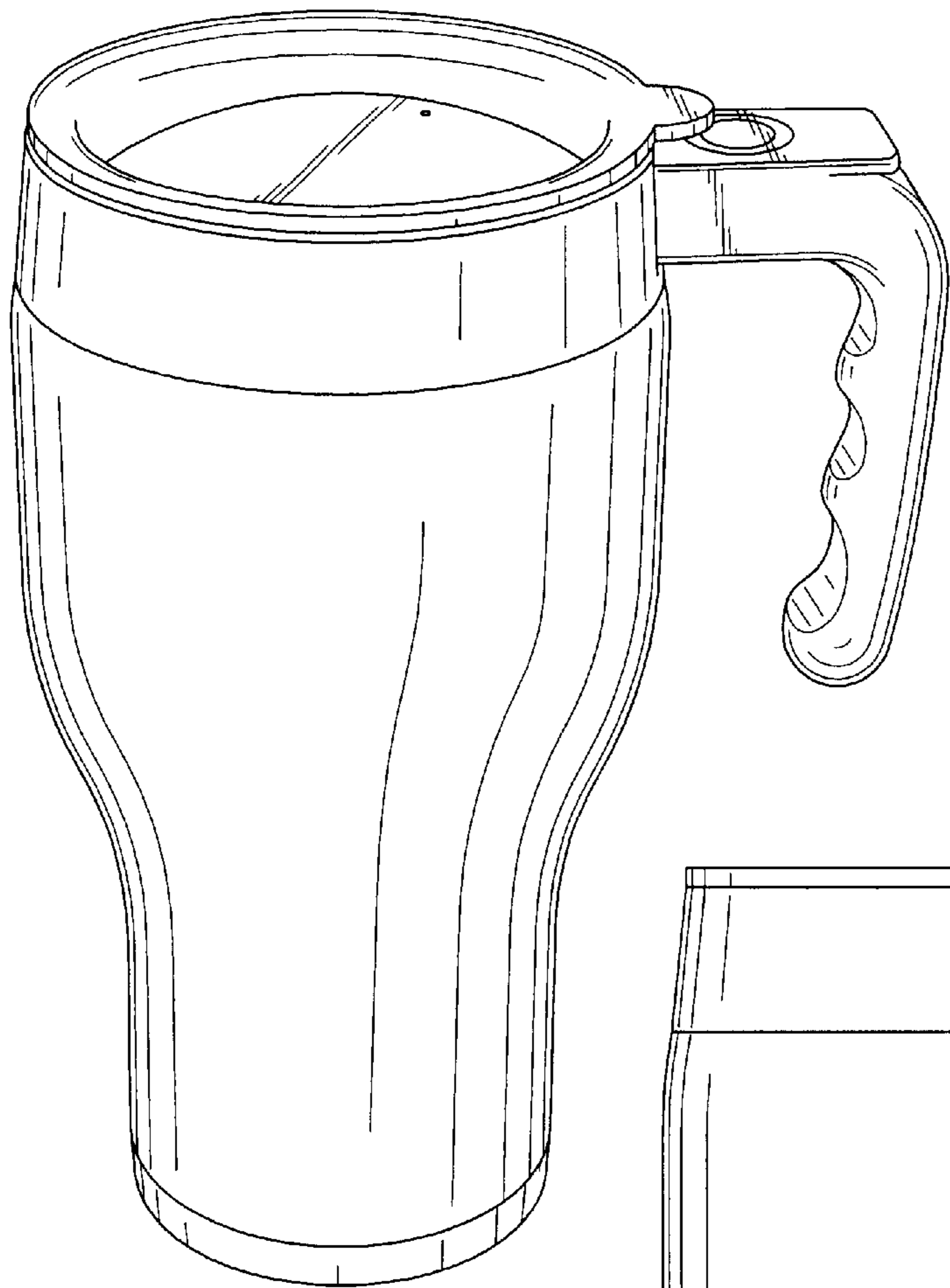
The ornamental design for a travel mug, as shown and described.

**DESCRIPTION**

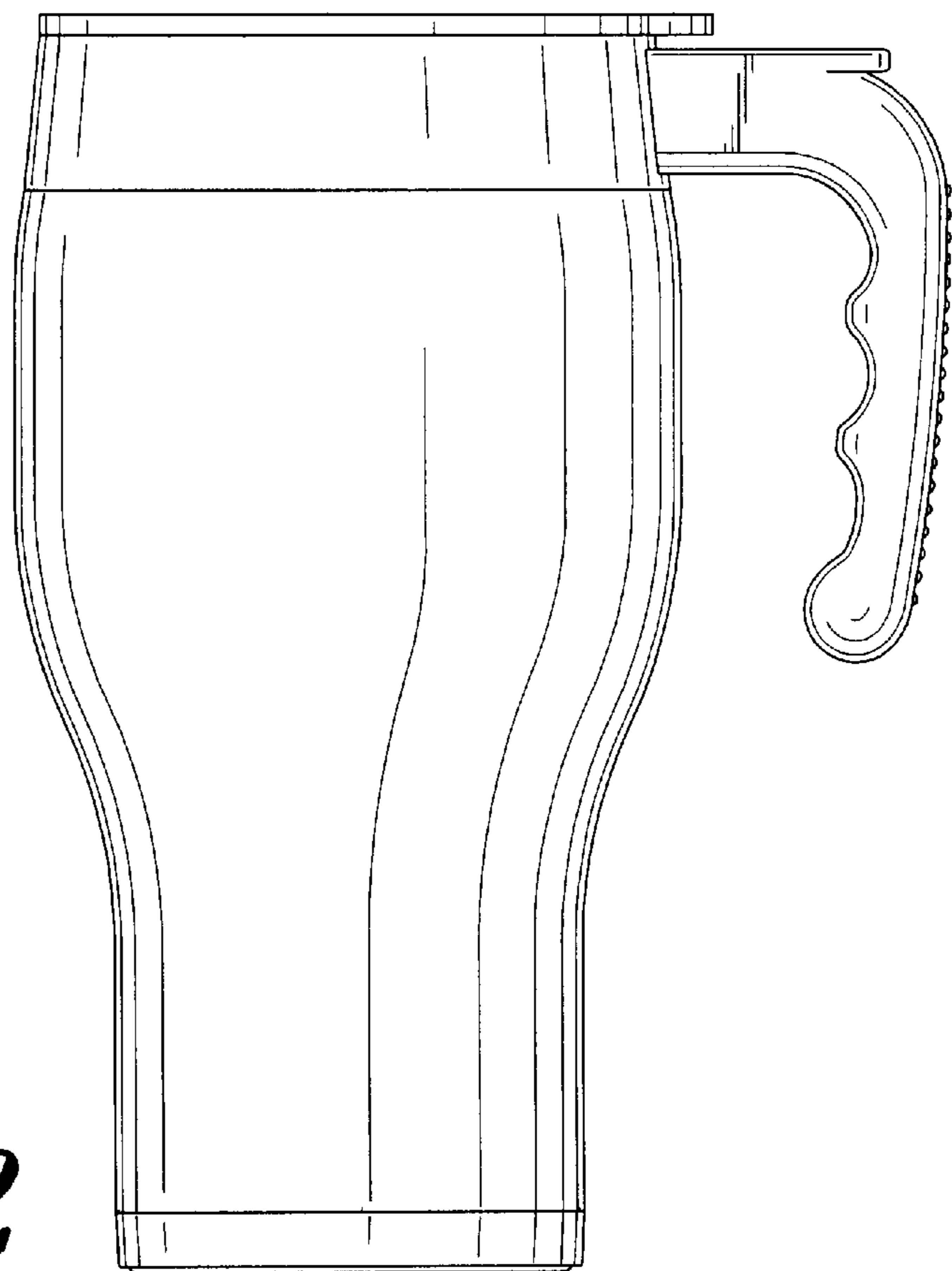
FIG. 1 is a top front perspective view of a travel mug;  
FIG. 2 is a side elevation view of the travel mug of FIG. 1;  
FIG. 3 is a front elevation view of the travel mug of FIG. 1;  
FIG. 4 is a back side elevation view of the travel mug of FIG. 1;  
FIG. 5 is a top plan view of the travel mug of FIG. 1; and,  
FIG. 6 is a bottom plan view of the travel mug of FIG. 1.

**1 Claim, 3 Drawing Sheets**

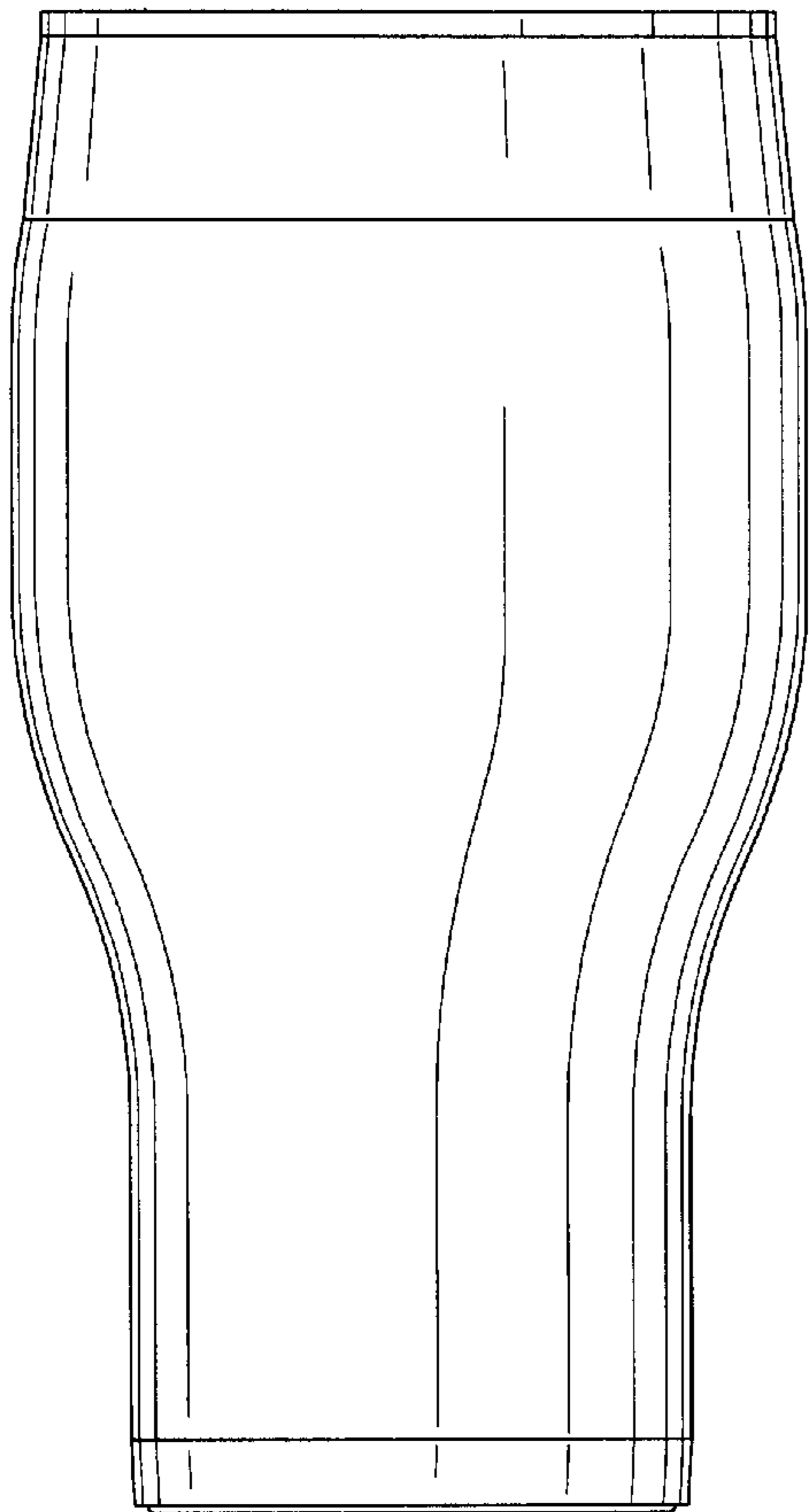




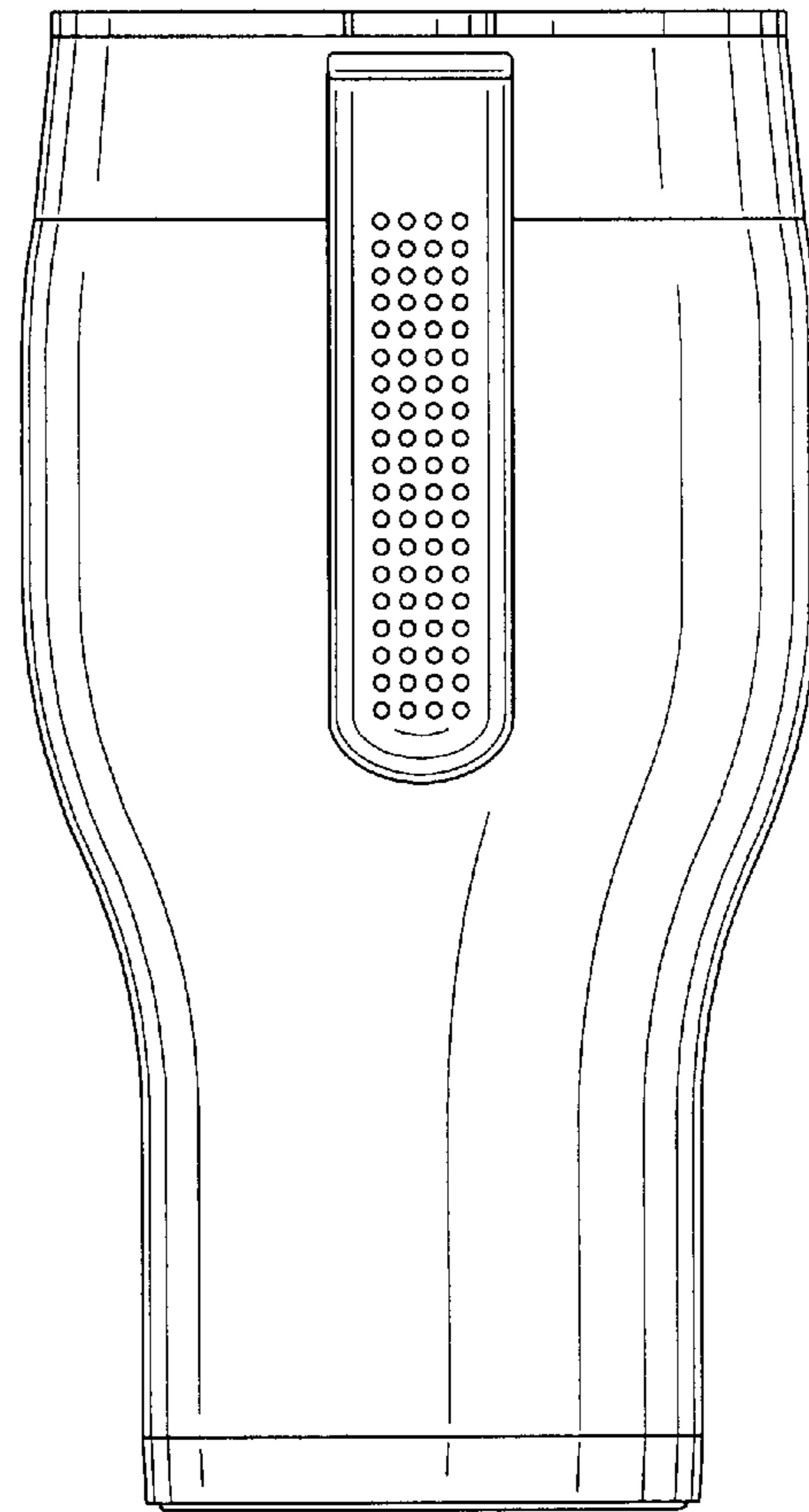
*FIG. 1*



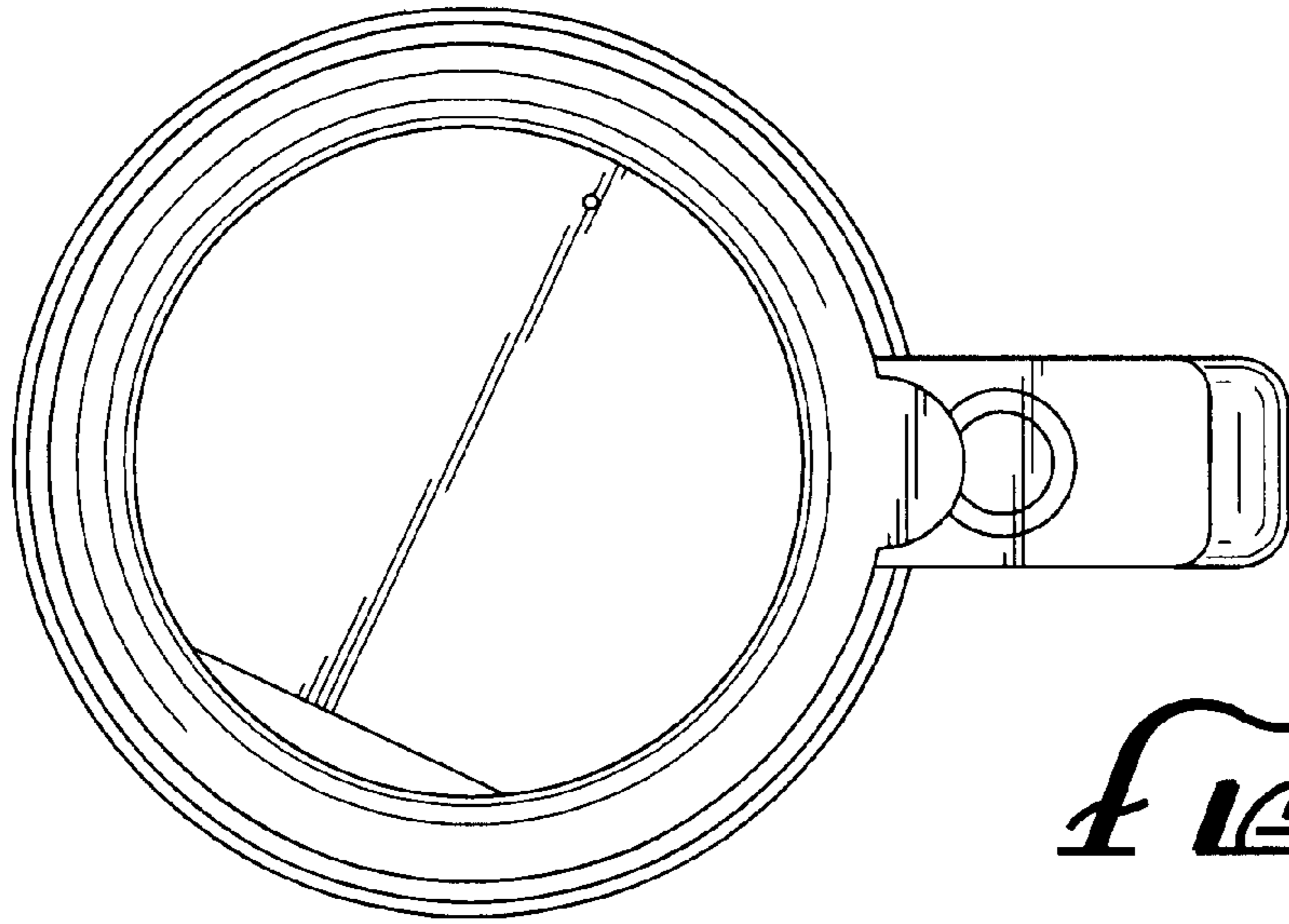
*FIG. 2*



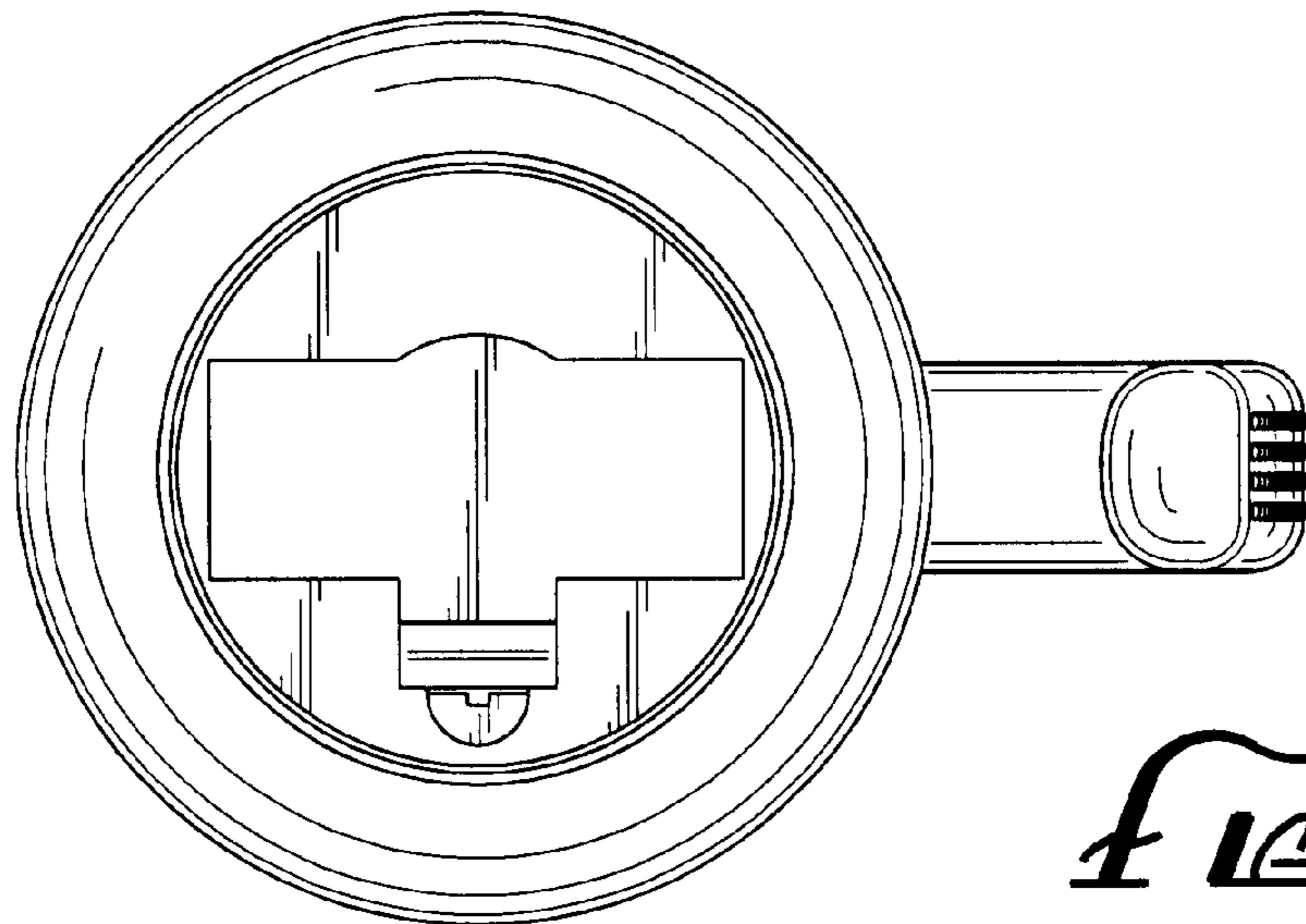
*FIG. 3*



*FIG. 4*



*FIG. 5*



*FIG. 6*