

US00D533400S

(12) **United States Design Patent** (10) **Patent No.:** **US D533,400 S**  
**Kallenberger** (45) **Date of Patent:** **\*\* Dec. 12, 2006**

(54) **CORN HOLDER HANDLE**

(75) Inventor: **Sharon Ellen Kallenberger**, Alameda, CA (US)

(73) Assignee: **Charcoal Companion Incorporated**, Emeryville, CA (US)

(\*\*) Term: **14 Years**

(21) Appl. No.: **29/244,437**

(22) Filed: **Dec. 9, 2005**

(51) **LOC (8) Cl.** ..... **07-02**

(52) **U.S. Cl.** ..... **D7/395**

(58) **Field of Classification Search** ..... D7/393-395, D7/683, 685-687, 688, 692-693, 696, 381, D7/401.2, 642-647, 653, 664; D8/107, 307; D4/138, 129; 16/110.1, 430, 431, 436; 30/340, 30/322-324, 147-150; 99/419, 421  
 See application file for complete search history.

6,039,373 A \* 3/2000 Horn ..... 294/15  
 D456,615 S 5/2002 Zemel  
 D461,378 S \* 8/2002 Zemel ..... D7/683  
 D470,729 S \* 2/2003 Kotsonis ..... D7/683  
 D470,730 S \* 2/2003 Zemel ..... D7/683

**OTHER PUBLICATIONS**

Charcoal Companion, Product Catalog, 2004, selected pages.  
 Charcoal Companion, Product Catalog, 2003, selected pages.  
 Charcoal Companion, Product Catalog, 2002, selected pages.  
 Charcoal Companion, Product Catalog, 1993, selected pages.  
 Charcoal Companion, Product Catalog, 1992, selected pages.

\* cited by examiner

*Primary Examiner*—Holly Baynham  
*Assistant Examiner*—Cynthia M. Chin  
 (74) *Attorney, Agent, or Firm*—Donald L. Beeson; Beeson Skinner Beverly, LLP

(56) **References Cited**

**U.S. PATENT DOCUMENTS**

1,801,653 A 4/1931 Berry  
 2,834,037 A 5/1958 Schumann  
 D231,419 S 4/1974 Caldwell  
 3,995,902 A 12/1976 Sciaino, Jr.  
 4,176,592 A 12/1979 Doyle, Jr.  
 D255,512 S 6/1980 Christen, Jr.  
 D268,723 S 4/1983 Wolff  
 5,005,257 A \* 4/1991 Bailey ..... 452/185  
 5,154,116 A 10/1992 Dube  
 D331,525 S \* 12/1992 Anderson ..... D7/683  
 D374,593 S \* 10/1996 Eggert ..... D7/683  
 5,572,792 A 11/1996 Garabedian  
 D389,698 S \* 1/1998 Cohen et al. .... D7/401.2  
 D401,123 S \* 11/1998 McHale ..... D7/683  
 D415,396 S \* 10/1999 Loughhead et al. .... D7/682  
 D418,723 S \* 1/2000 Bowman ..... D7/688

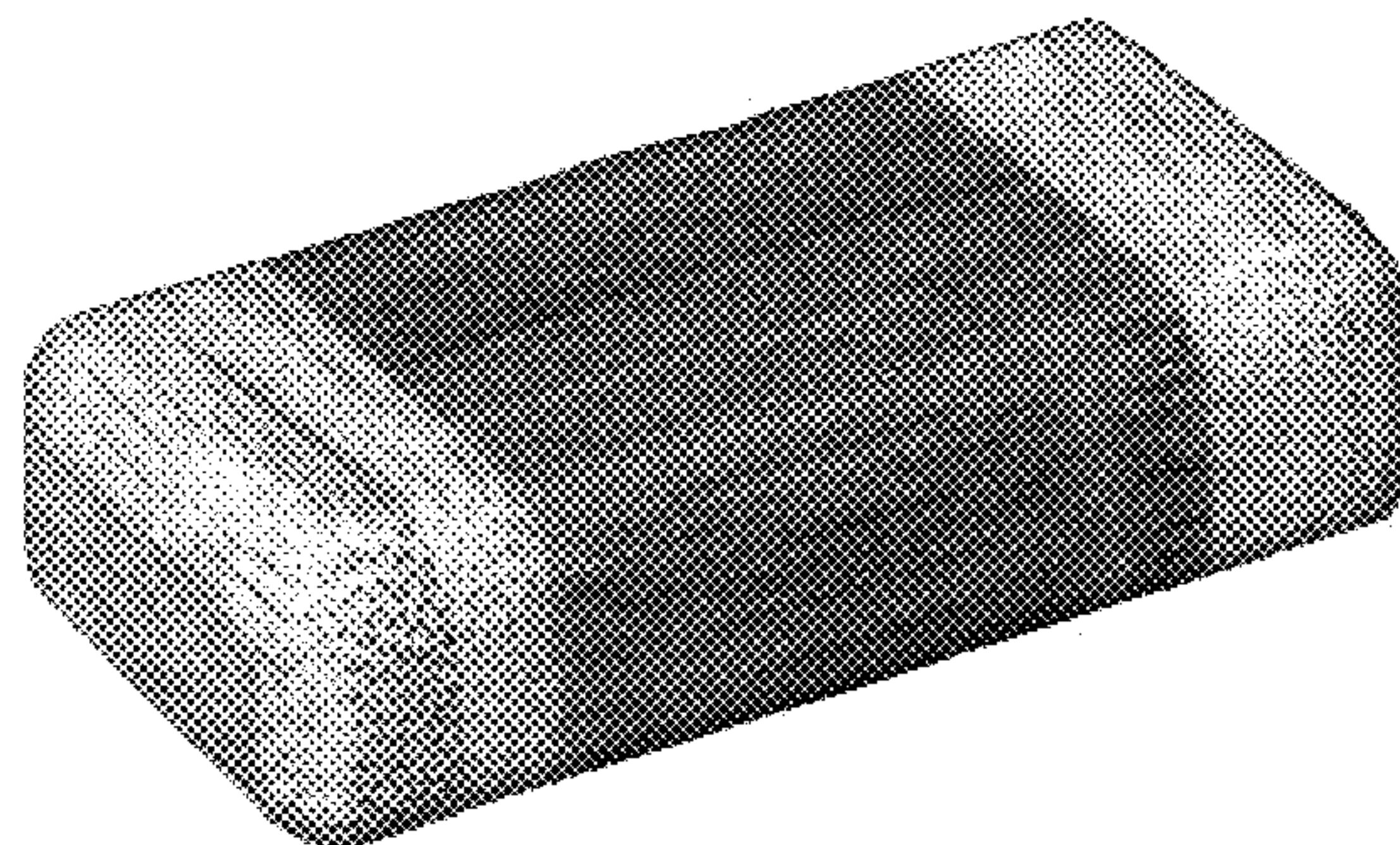
(57) **CLAIM**

The ornamental design for a corn holder handle, as shown and described.

**DESCRIPTION**

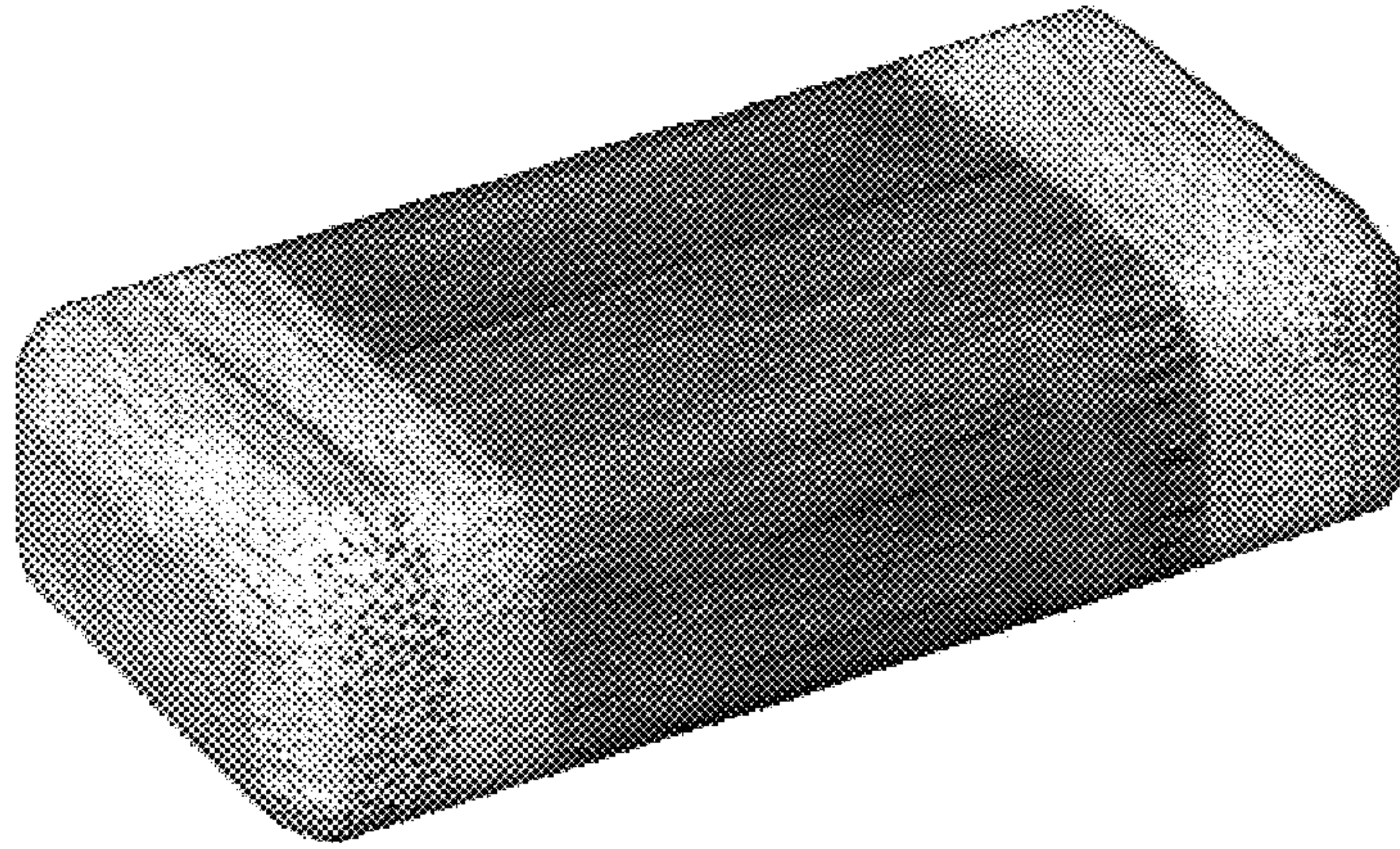
FIG. 1 is a top perspective view of a corn holder handle showing my new design;  
 FIG. 2 is a top plan view thereof, the bottom being a mirror image;  
 FIG. 3 is a right side elevational view thereof, the left side being a mirror image;  
 FIG. 4 is a rear end elevational view thereof; and,  
 FIG. 5 is a front end elevational view thereof.

**1 Claim, 1 Drawing Sheet**





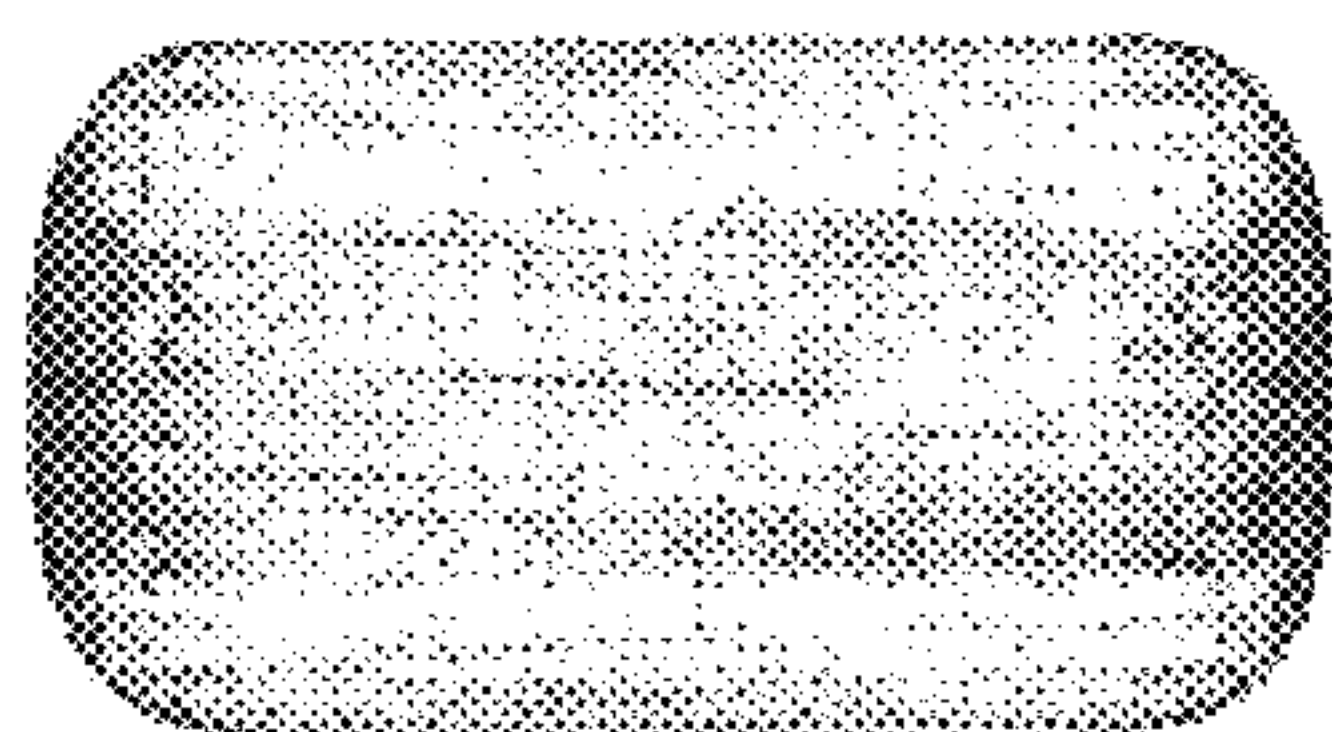
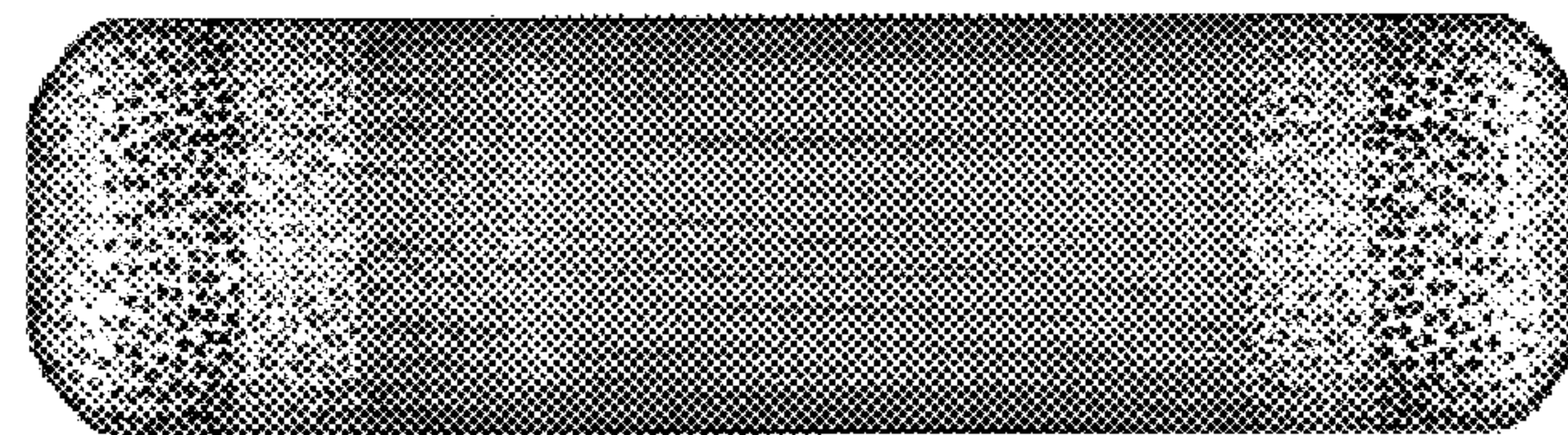
**FIG. 1**



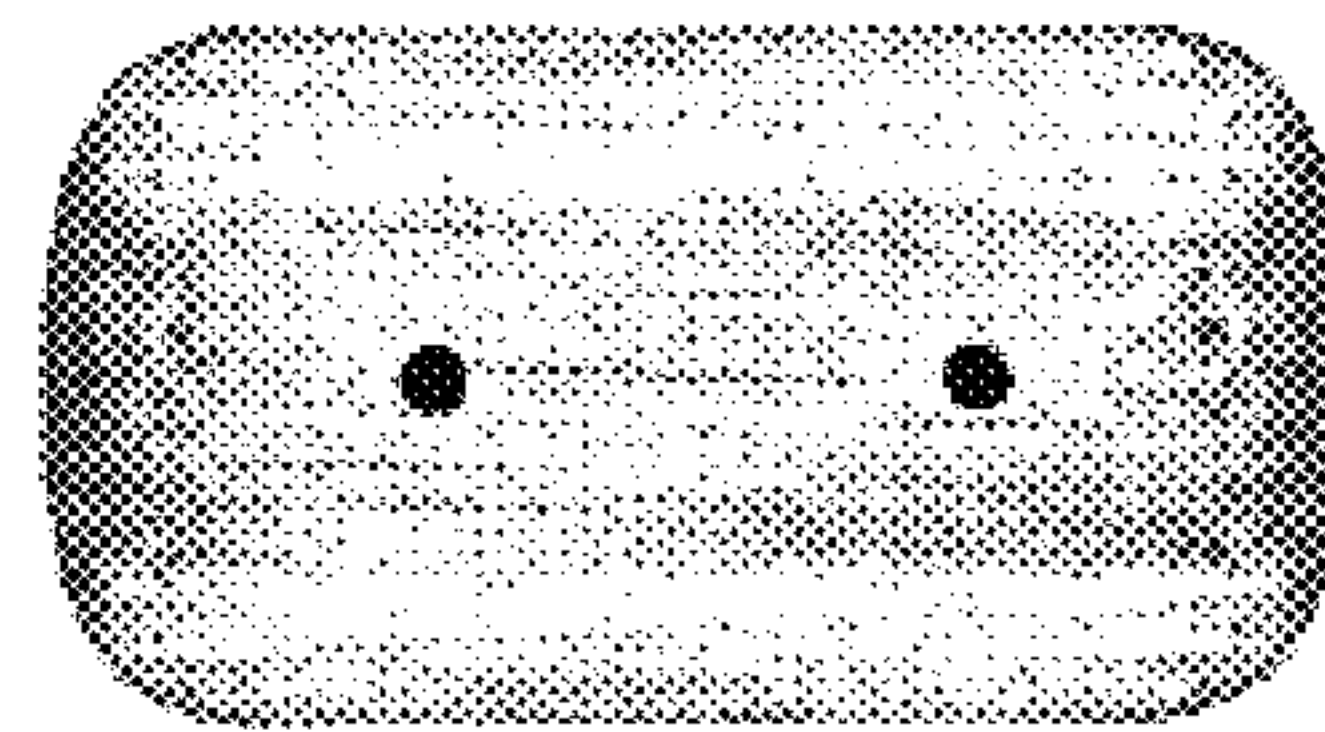
**FIG. 2**



**FIG. 3**



**FIG. 4**



**FIG. 5**