



US00D533391S

(12) **United States Design Patent**
Foray et al.

(10) **Patent No.:** **US D533,391 S**

(45) **Date of Patent:** **** Dec. 12, 2006**

(54) **OVEN**

(75) Inventors: **Michel Foray**, Passenans (FR); **Wilco Alexander Egger**, Como (IT)

(73) Assignee: **Compagnie Hobart**, Croissy Beaubourg (FR)

(**) Term: **14 Years**

(21) Appl. No.: **29/195,033**

(22) Filed: **Dec. 5, 2003**

(30) **Foreign Application Priority Data**

Jun. 5, 2003 (EM) 000035225-0002
Jun. 5, 2003 (EM) 000035225-0003
Jun. 5, 2003 (EM) 000035225

(51) **LOC (8) Cl.** **07-02**

(52) **U.S. Cl.** **D7/351**

(58) **Field of Classification Search** D7/350.1,
D7/350.3, 350.4, 351, 402, 405-406; 126/273 A,
126/275 R, 275 E, 19 M, 21 R; 219/756-758;
99/DIG. 14

See application file for complete search history.

(56) **References Cited**

U.S. PATENT DOCUMENTS

D202,185 S * 9/1965 Melssner D7/351
D287,562 S * 1/1987 Takada et al. D7/350.4
D303,062 S * 8/1989 Takada et al. D7/350.4
D318,775 S * 8/1991 Bonnet et al. D7/350.3
D333,782 S * 3/1993 van Berlo D7/350.4
D428,761 S * 8/2000 Noda et al. D7/351

D455,932 S * 4/2002 Noda et al. D7/351
D478,465 S * 8/2003 Kanza D7/351

* cited by examiner

Primary Examiner—Ruth McInroy

(74) *Attorney, Agent, or Firm*—Lowe Hauptman & Berner, LLP

(57) **CLAIM**

The ornamental design for an oven, as shown and described.

DESCRIPTION

FIG. 1 is a front view of an oven in accordance with a first embodiment of the design;

FIG. 2 is a right, elevational, perspective view of the oven of FIG. 1;

FIG. 3 is a left, elevational, perspective view of the oven of FIG. 1;

FIG. 4 is a top plan view of the oven of FIG. 1;

FIG. 5 is a bottom view of the oven of FIG. 1;

FIG. 6 is a front view of an oven in accordance with a second embodiment of the design, the oven of the second embodiment being taller than the oven of the first embodiment;

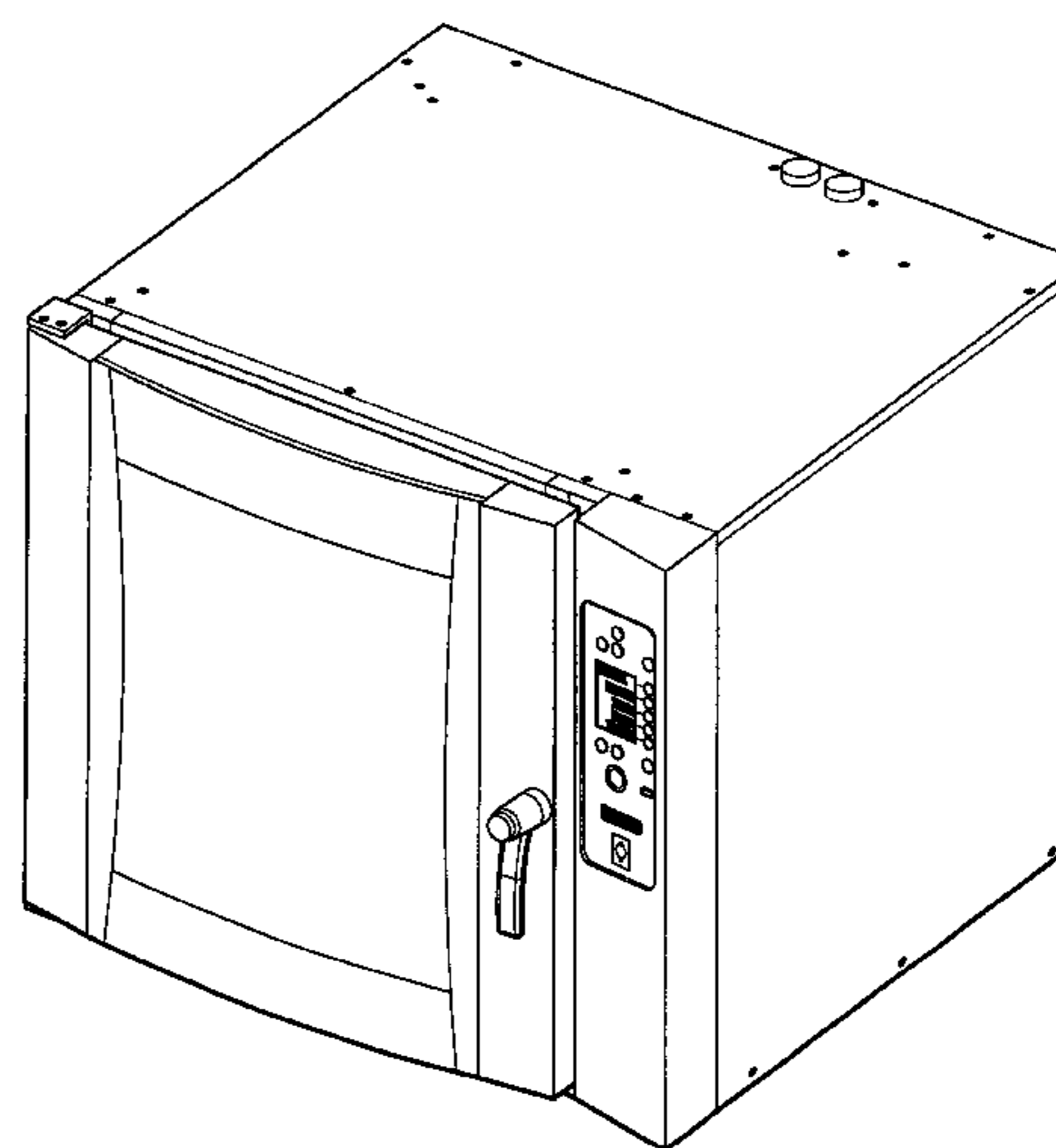
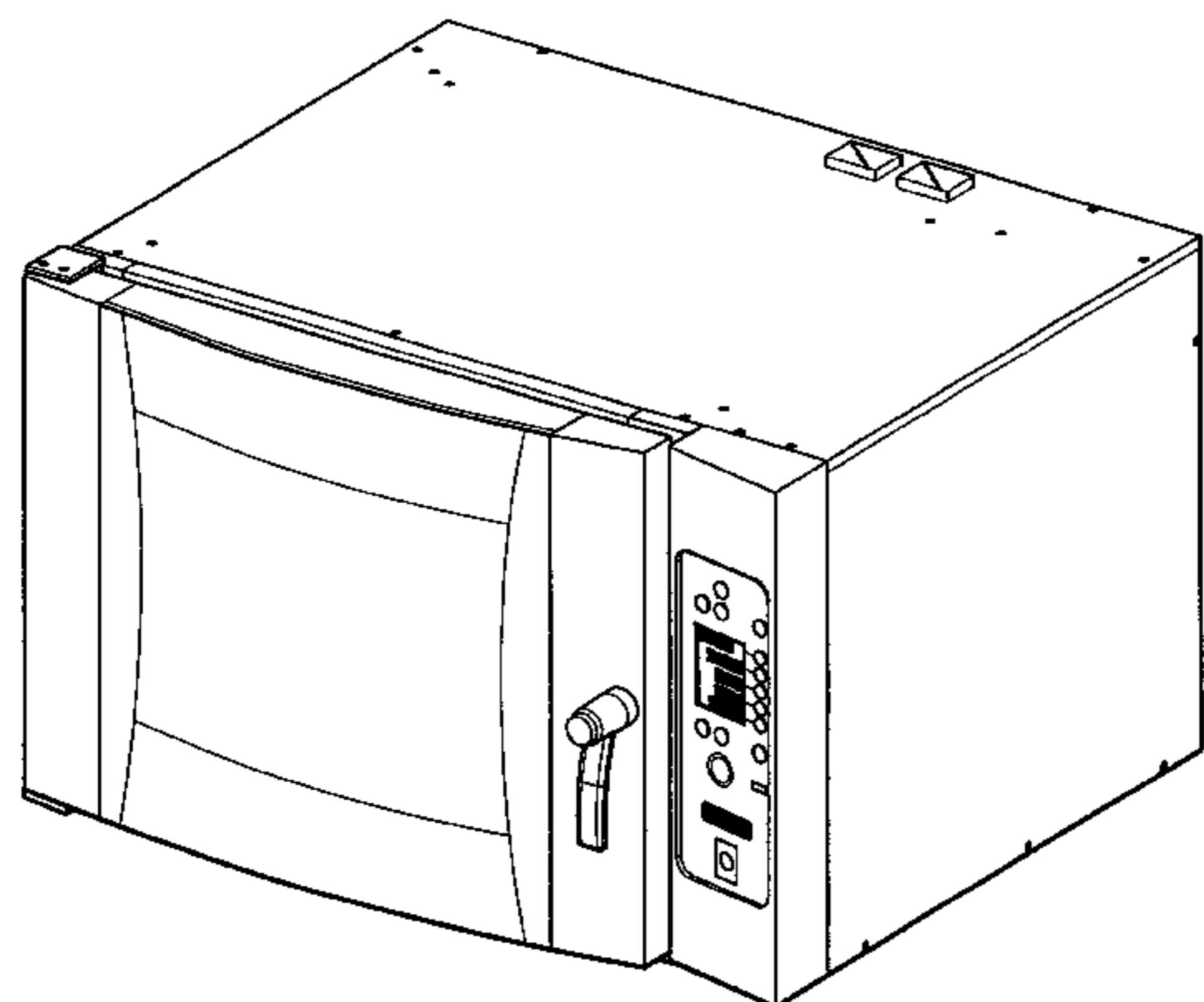
FIG. 7 is a right, elevational, perspective view of the oven of FIG. 6;

FIG. 8 is a left, elevational, perspective view of the oven of FIG. 6; and,

FIG. 9 is a top plan view of the oven in accordance with the second embodiment of the design.

The undisclosed rear view of the ovens in accordance with the first, second embodiments forms no part of the claimed design.

1 Claim, 9 Drawing Sheets



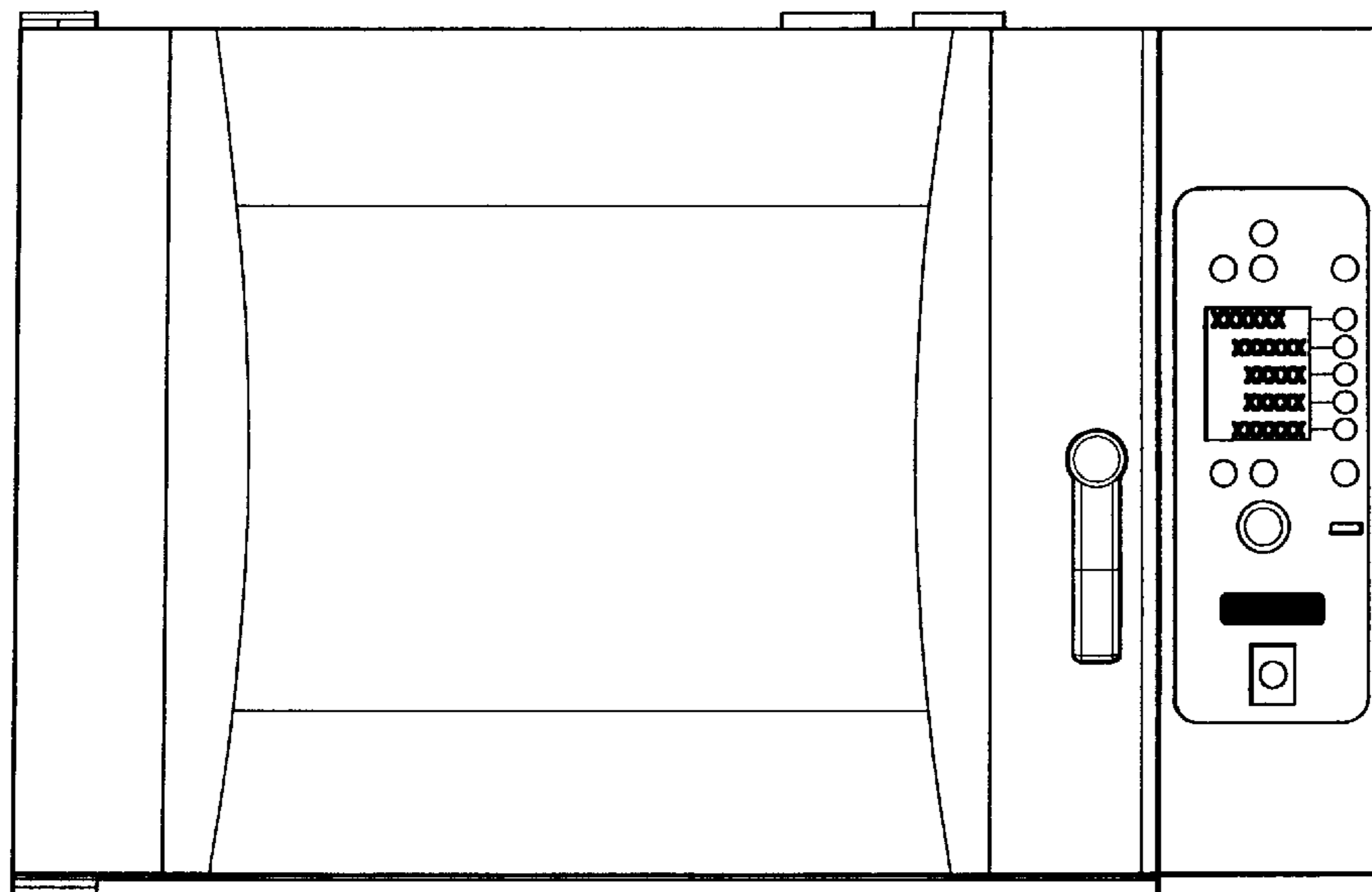


Fig. 1

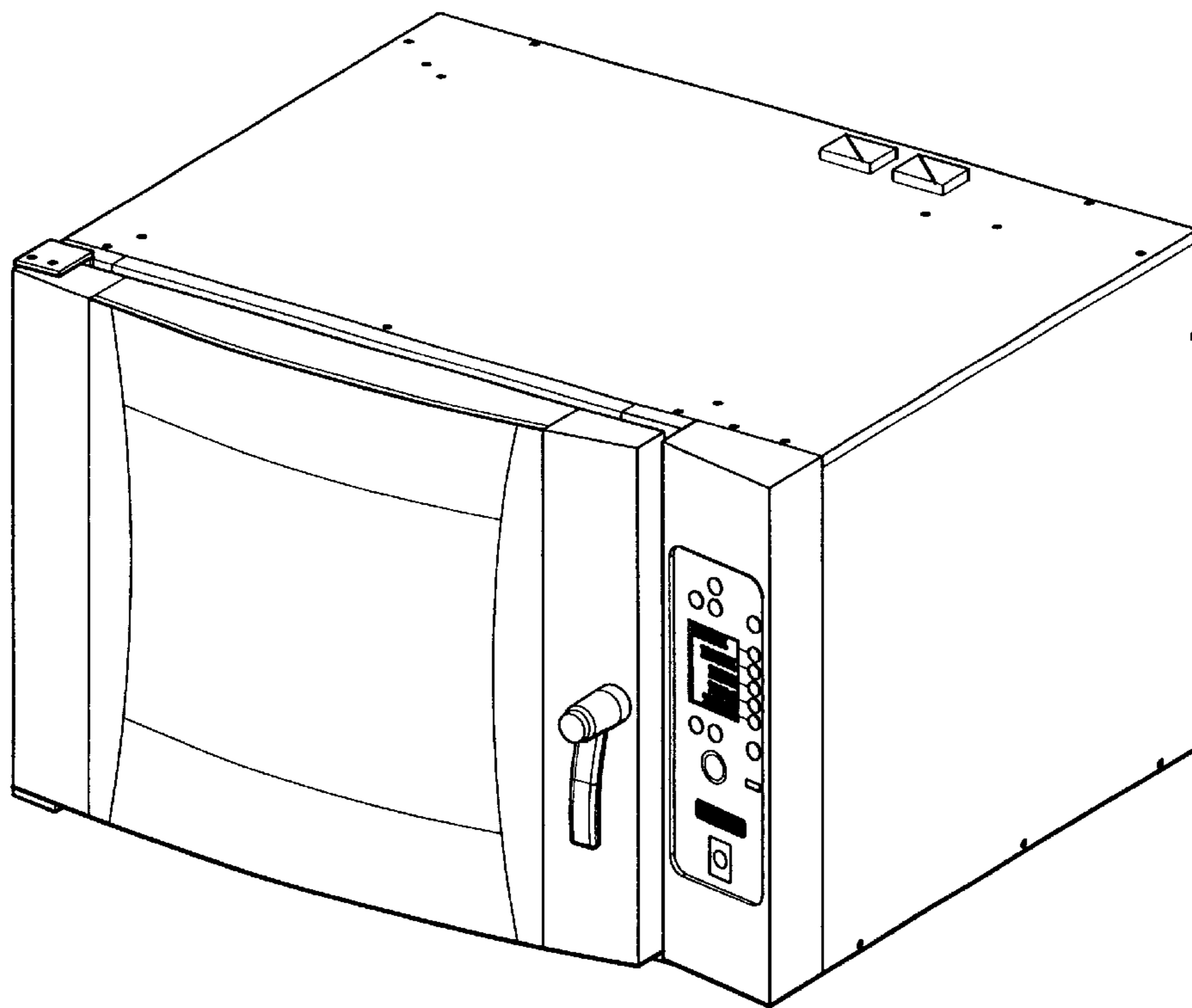


Fig. 2

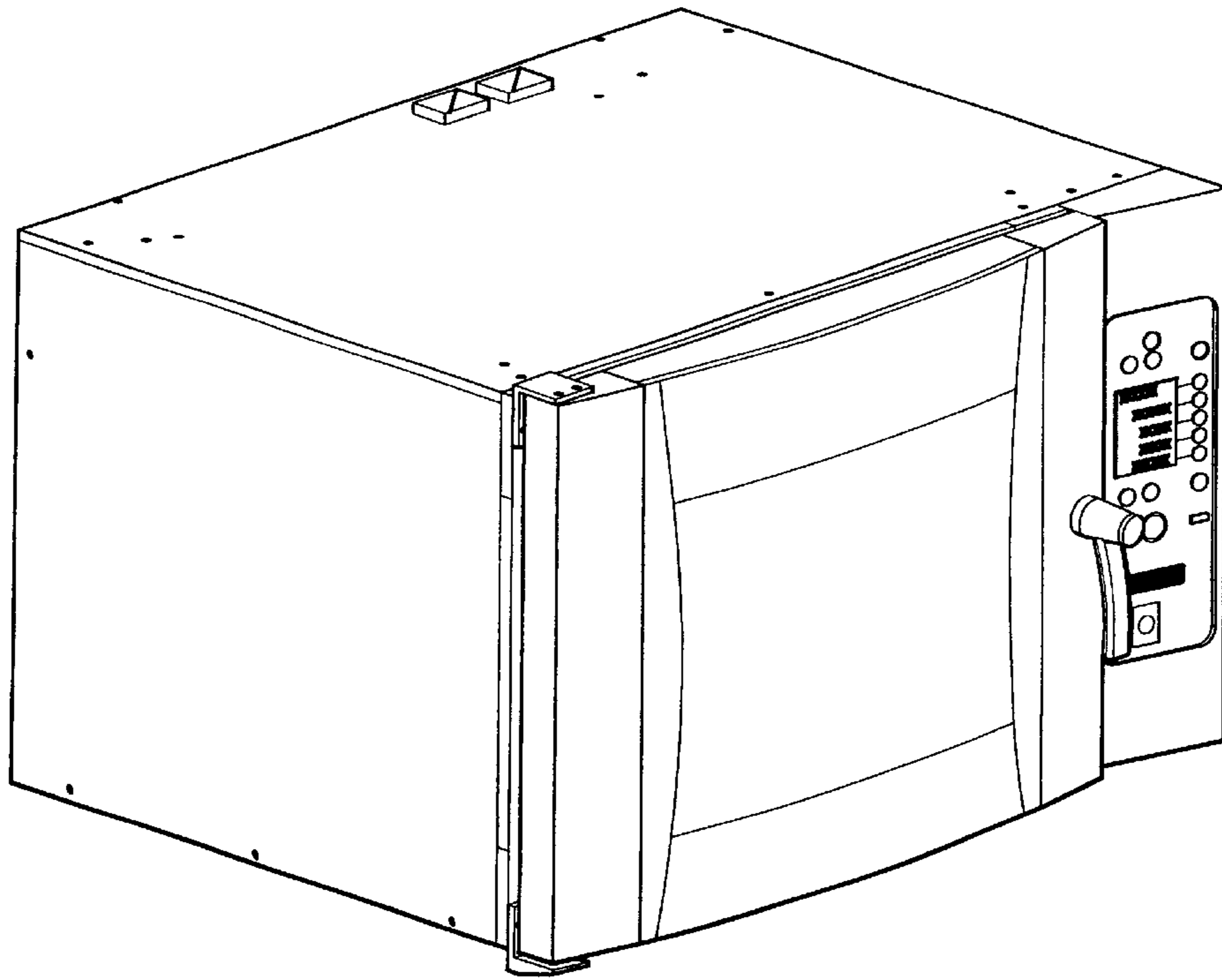


Fig. 3

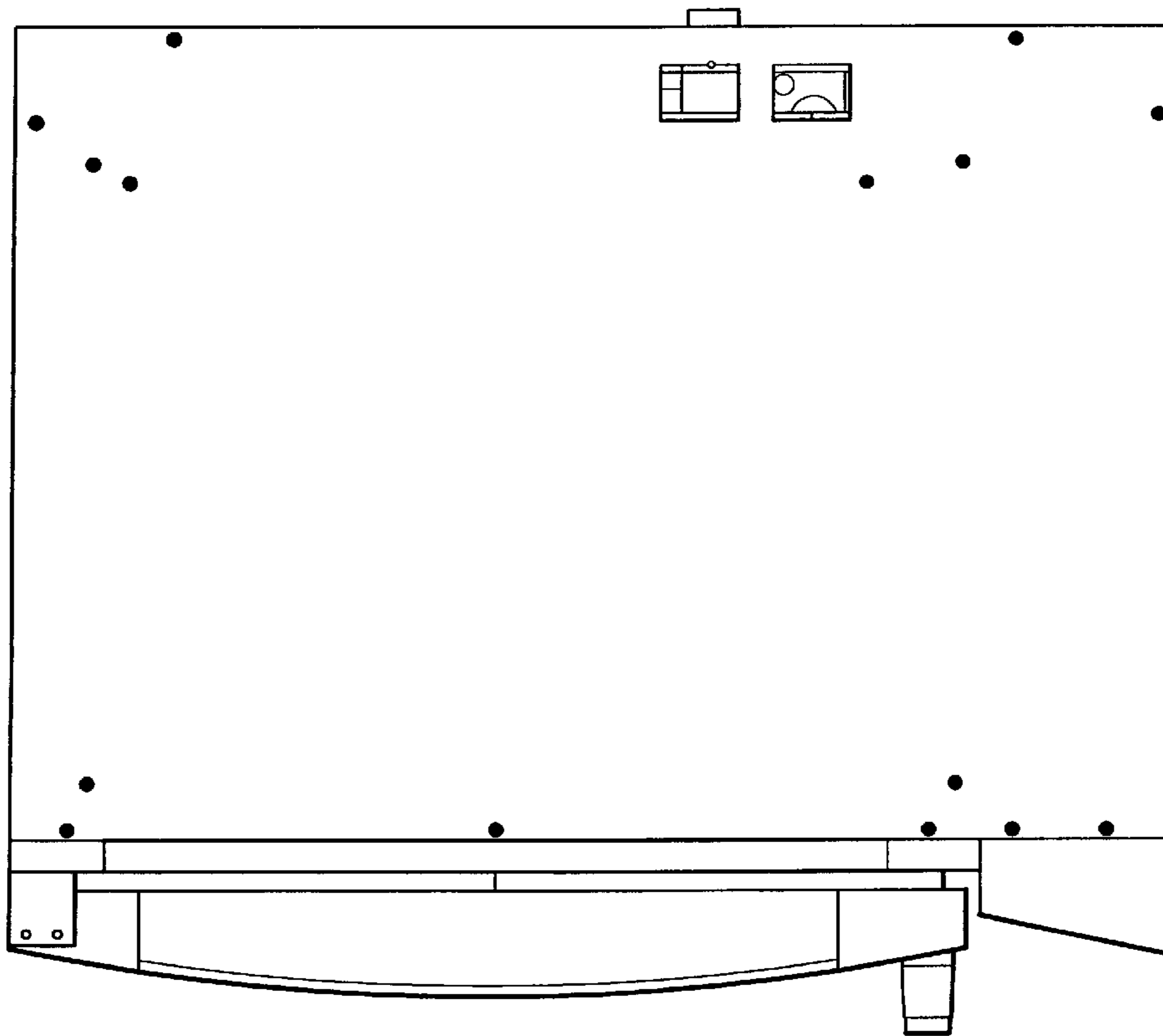


Fig. 4

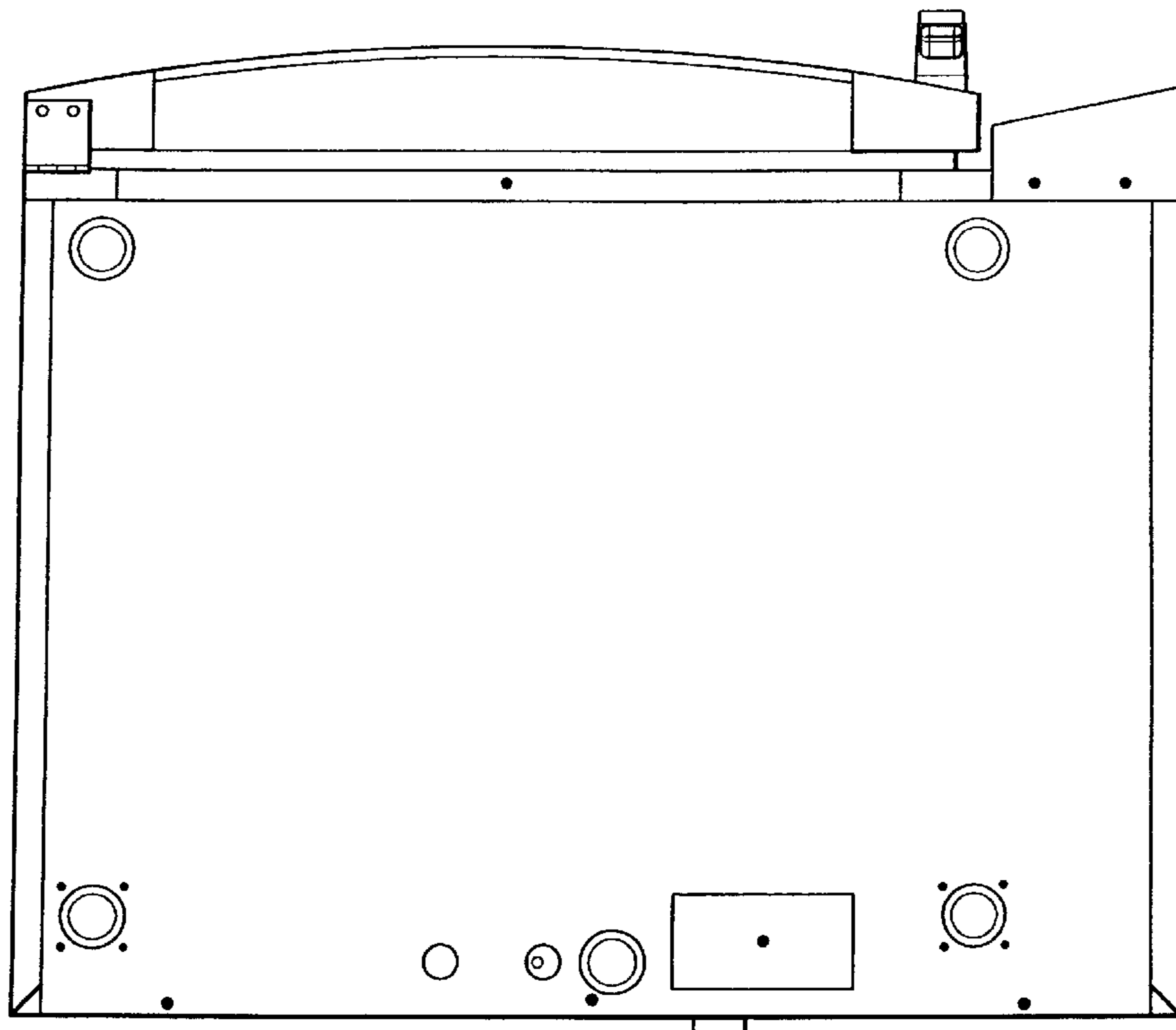


Fig. 5

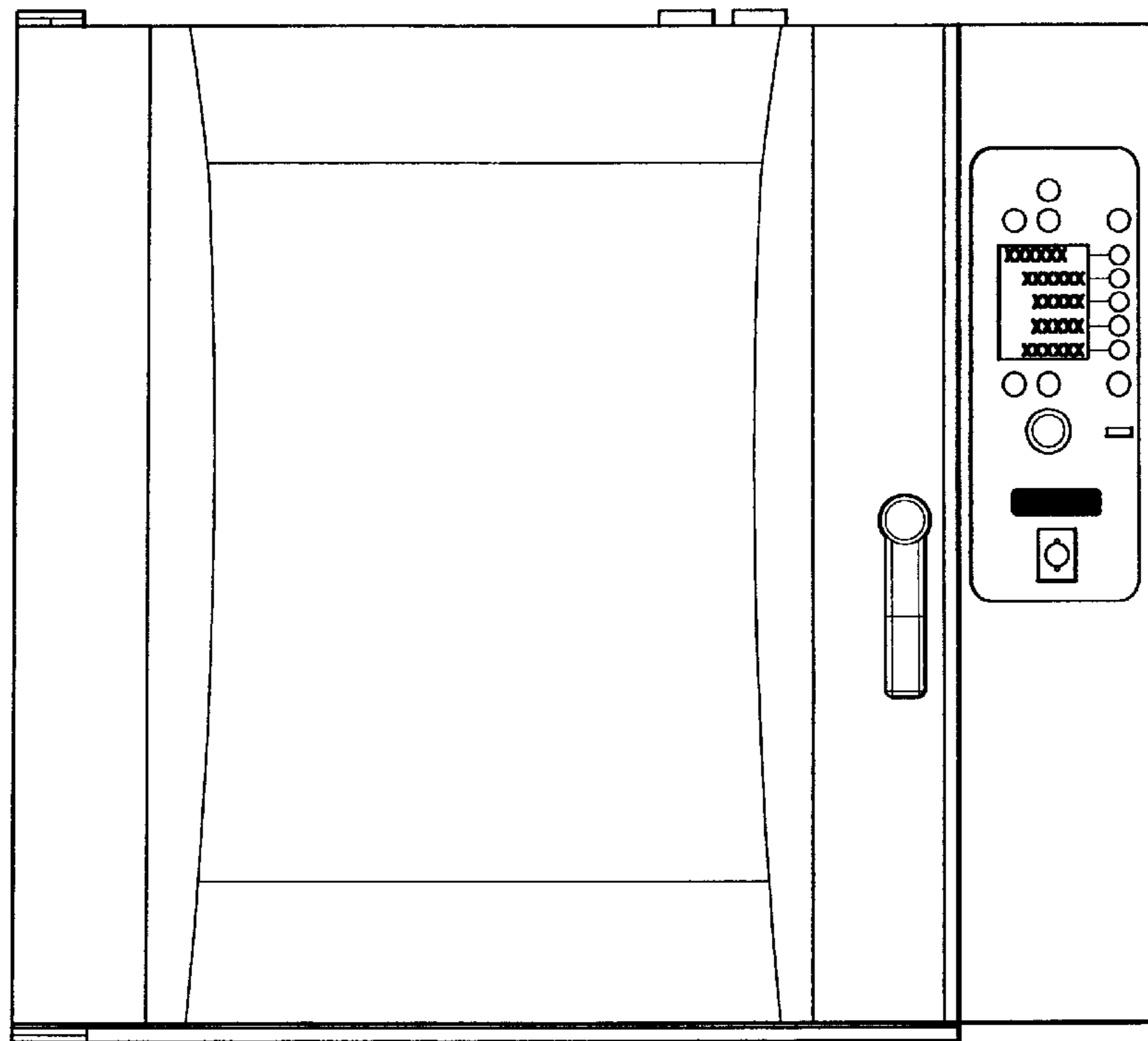


Fig. 6

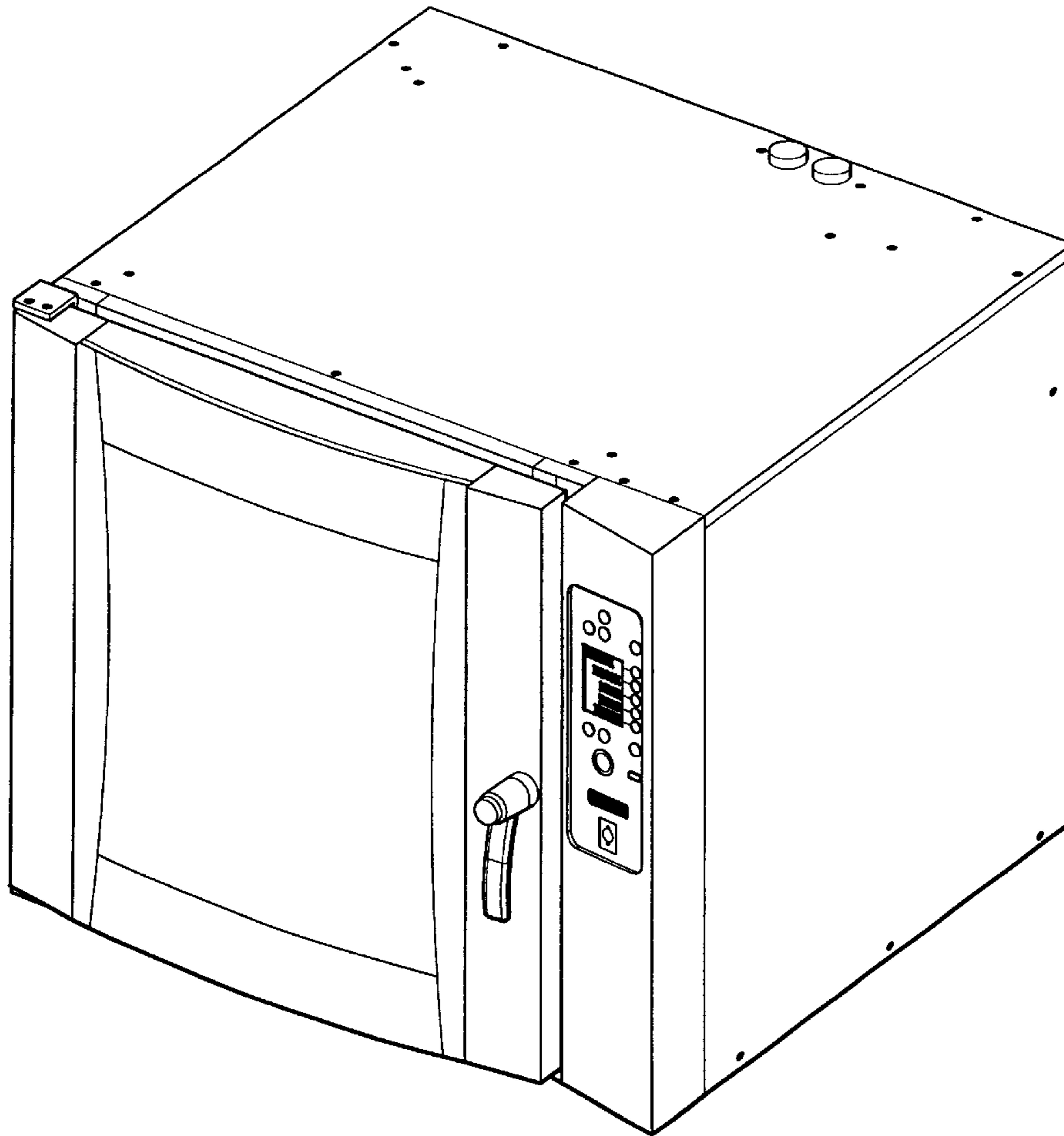


Fig. 7

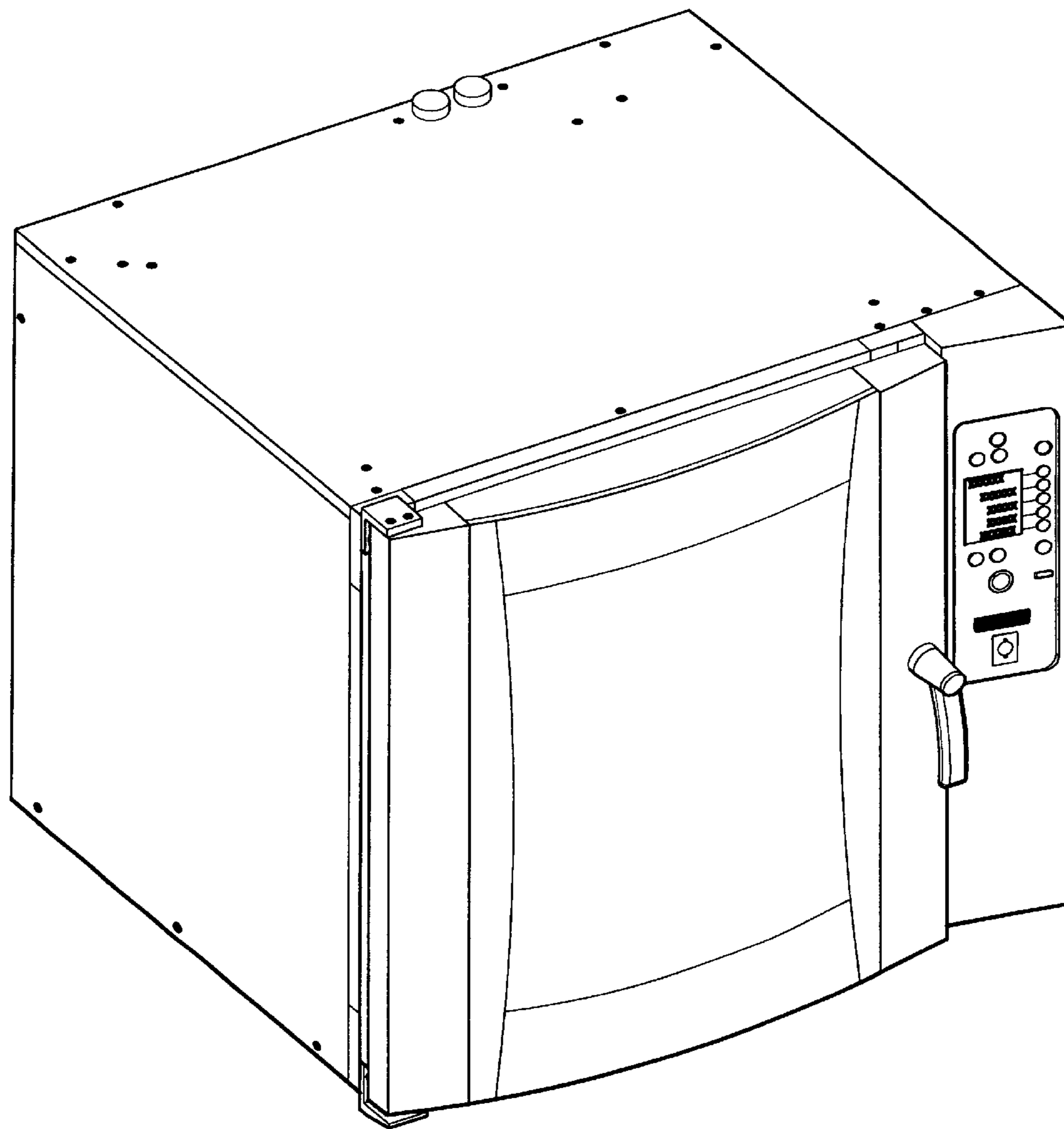


Fig. 8

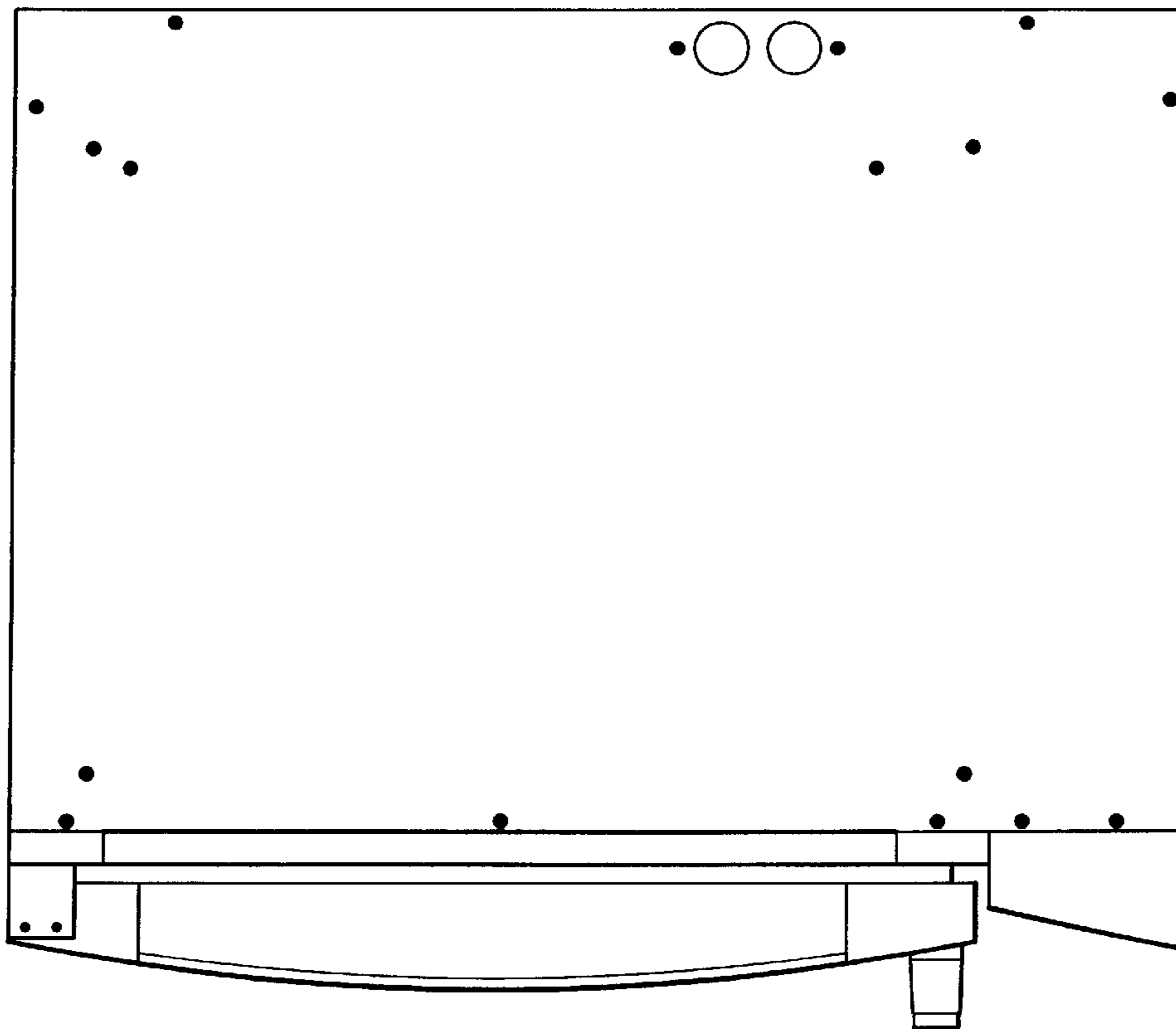


Fig. 9