



US00D533390S

(12) **United States Design Patent**
Ball

(10) **Patent No.:** **US D533,390 S**

(45) **Date of Patent:** **** Dec. 12, 2006**

(54) **TOASTER OVEN**

(75) **Inventor:** **Alan D. Ball**, Somerville, MA (US)

(73) **Assignee:** **Conair Corporation**, Stamford, CT (US)

(**) **Term:** **14 Years**

(21) **Appl. No.:** **29/232,341**

(22) **Filed:** **Jun. 17, 2005**

(51) **LOC (8) Cl.** **07-02**

(52) **U.S. Cl.** **D7/350.1**

(58) **Field of Classification Search** D7/350.1,
D7/350.3, 350.4, 351, 402, 405; 126/19 M,
126/273 E; 219/739-740, 756-758, 391
See application file for complete search history.

(56) **References Cited**

U.S. PATENT DOCUMENTS

- D193,259 S * 7/1962 Rawson, Jr. et al. D7/350.4
- D229,818 S * 1/1974 Klemp et al. D7/351
- D237,242 S * 10/1975 Claxton D7/350.4
- D245,470 S * 8/1977 Ernest D7/350.4
- D336,814 S * 6/1993 Brookshire D7/350.4
- D380,643 S * 7/1997 Piret D7/350.4

- D386,938 S * 12/1997 Piret D7/350.4
- D412,637 S * 8/1999 Piret D7/350.4
- D415,926 S * 11/1999 De'Longhi D7/350.4
- D476,846 S * 7/2003 Piret D7/351

* cited by examiner

Primary Examiner—Ruth McInroy

(74) *Attorney, Agent, or Firm*—Lawrence Cruz; Steven A. Garner

(57) **CLAIM**

The ornamental design for a toaster oven, as shown and described.

DESCRIPTION

FIG. 1 is a perspective view of a toaster oven showing our new design;

FIG. 2 is a front view thereof;

FIG. 3 is a right side view thereof;

FIG. 4 is a top view thereof;

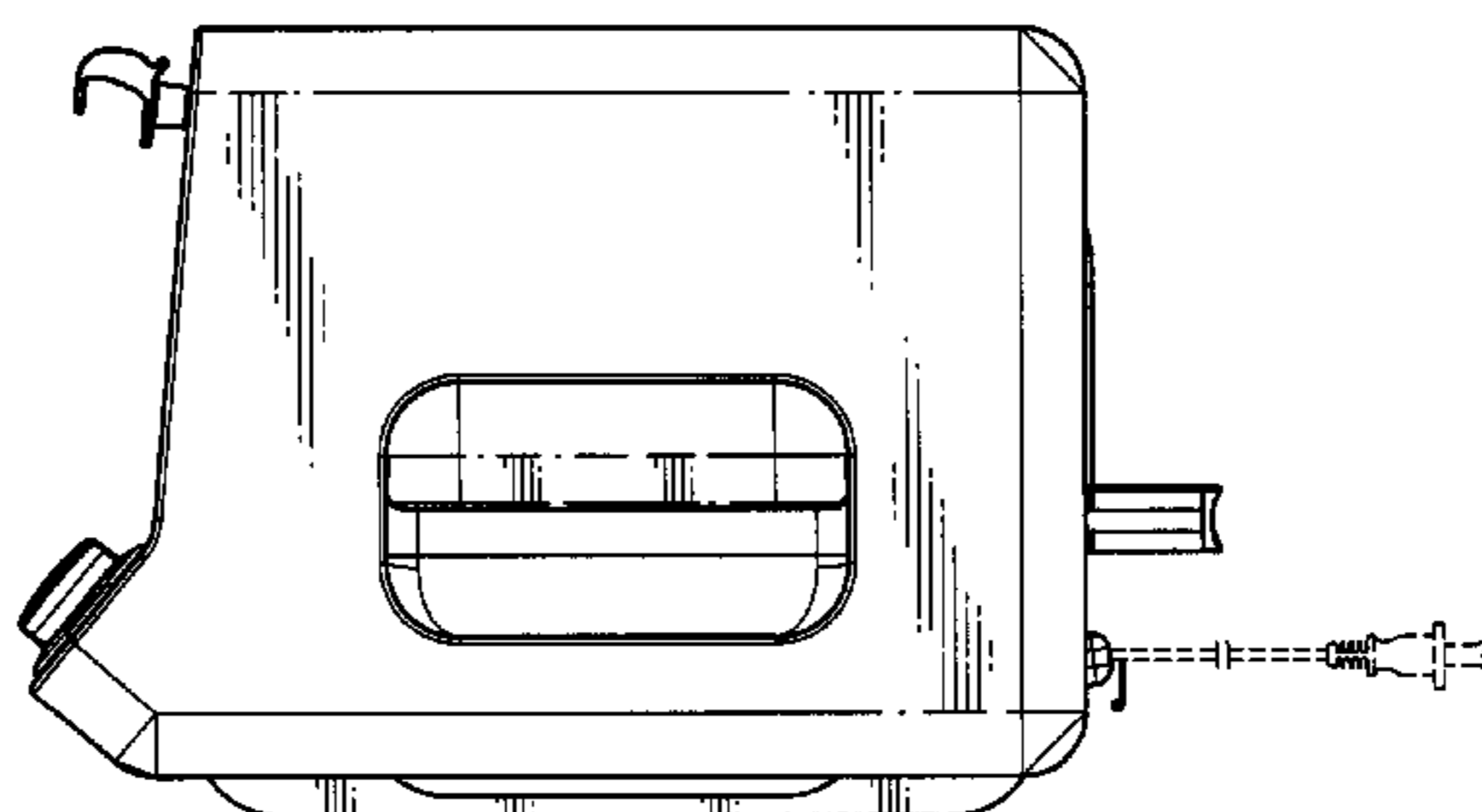
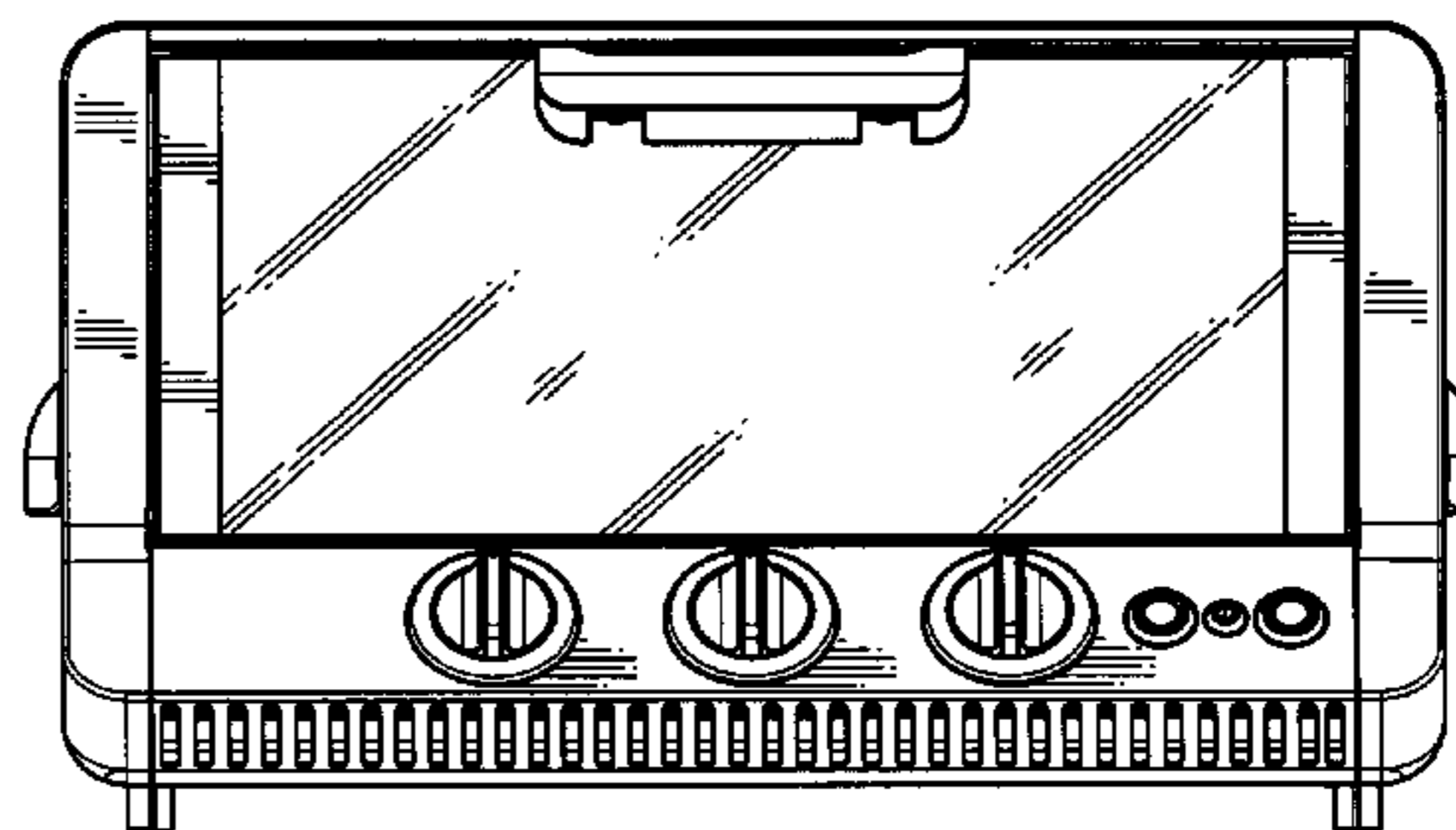
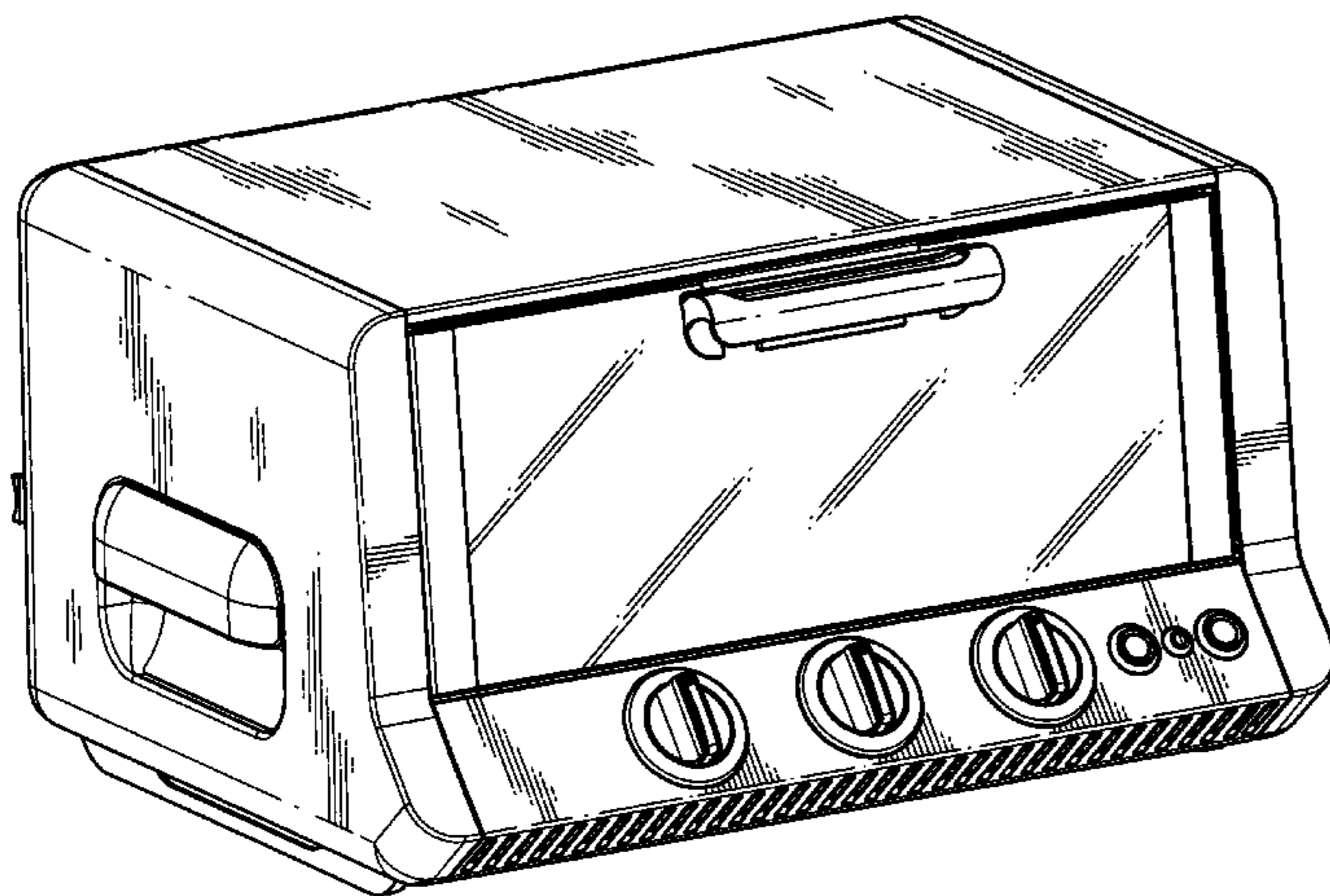
FIG. 5 is a left side view thereof;

FIG. 6 is a rear view thereof; and,

FIG. 7 is a bottom view.

The details shown in broken lines form no part of the claimed design.

1 Claim, 4 Drawing Sheets



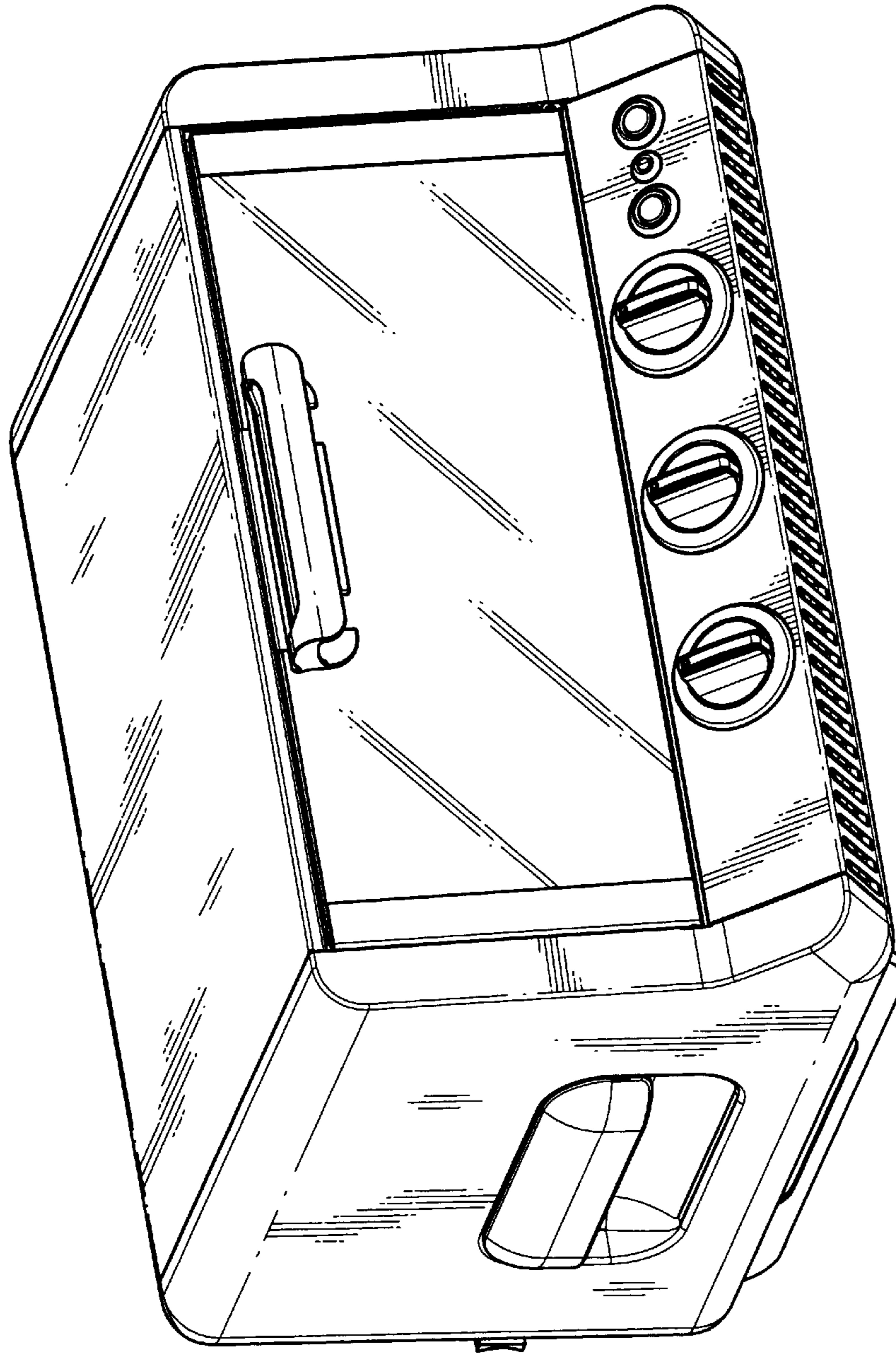


FIG. 1

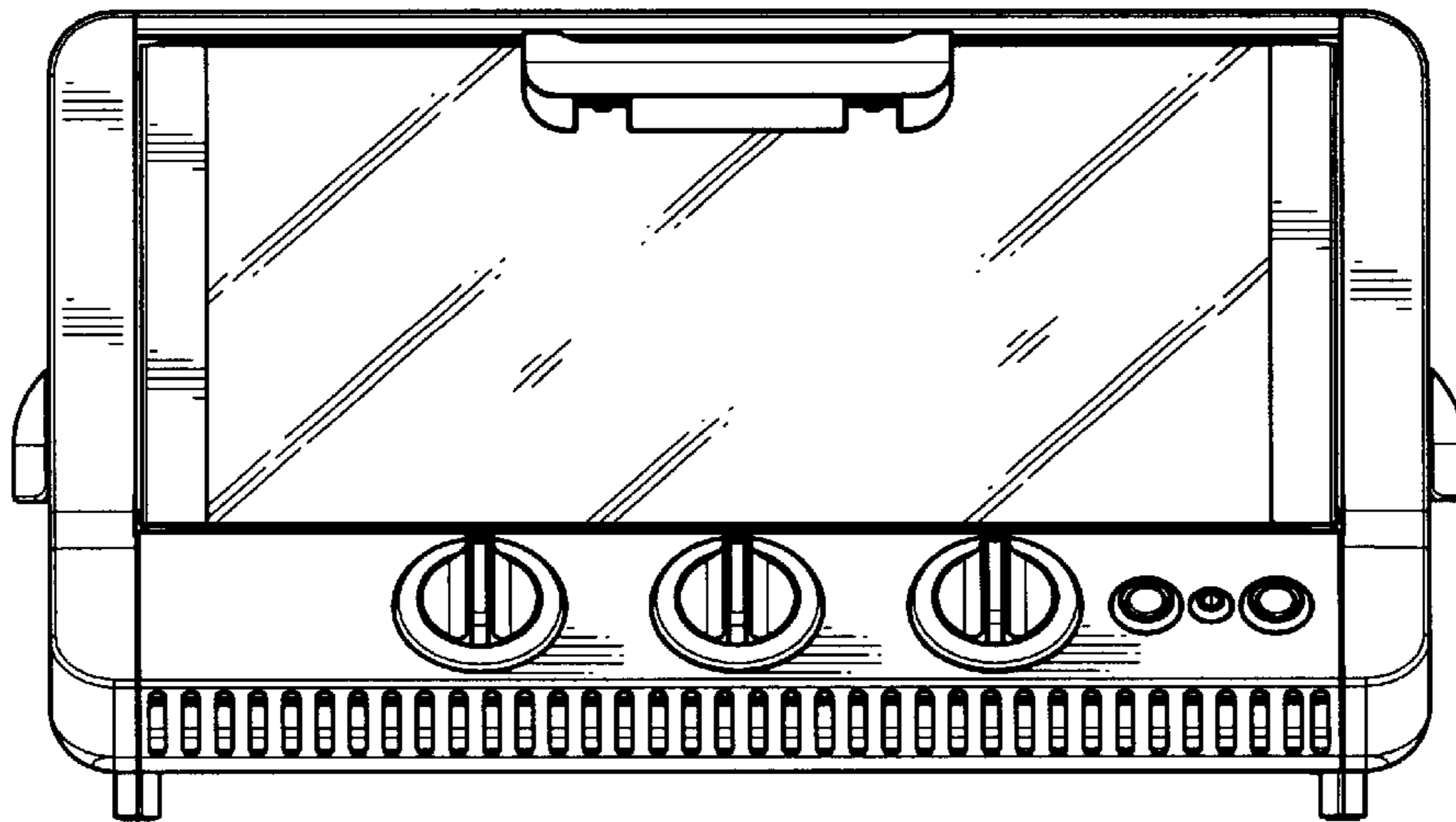


FIG. 2

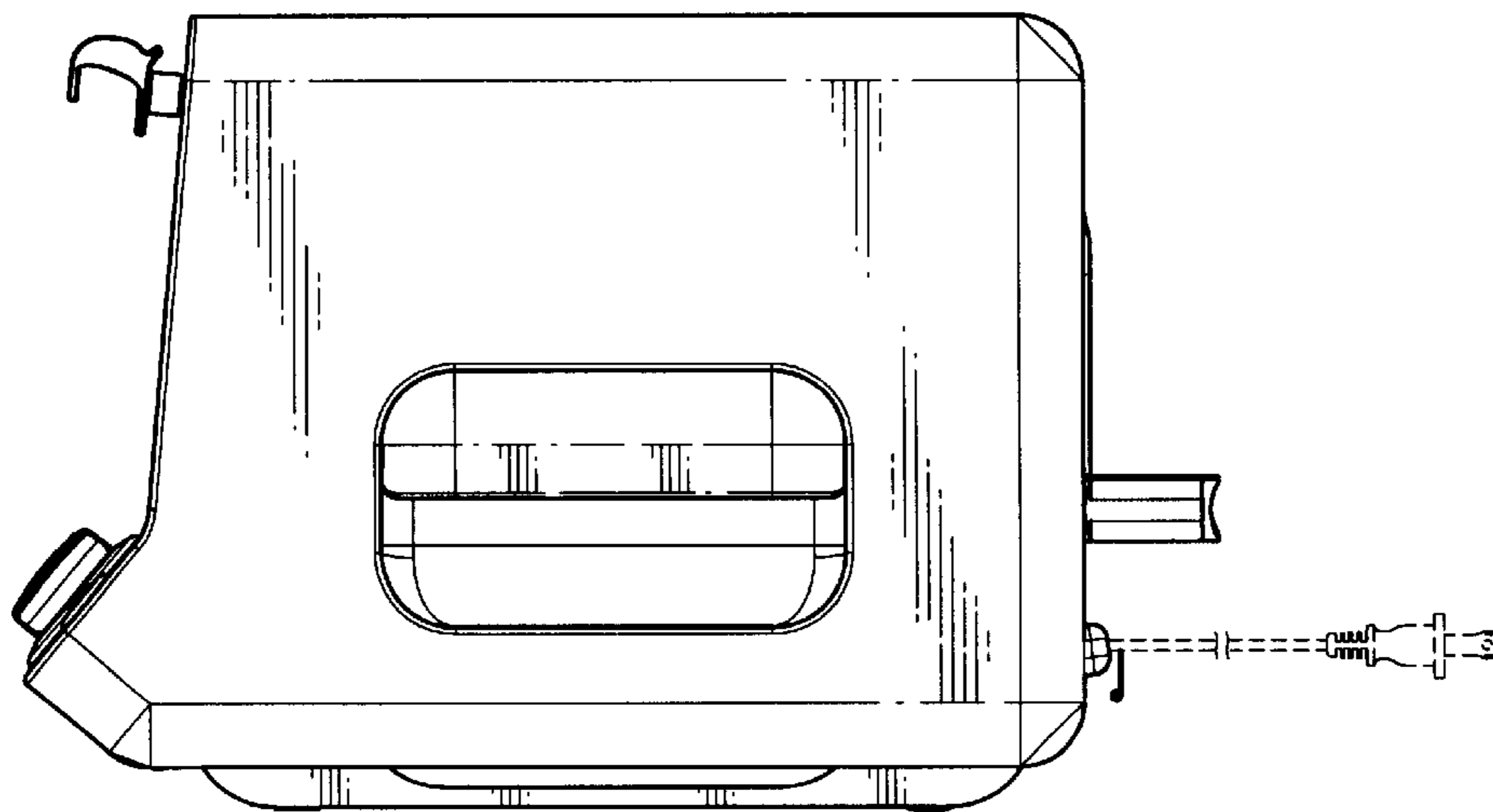


FIG. 3

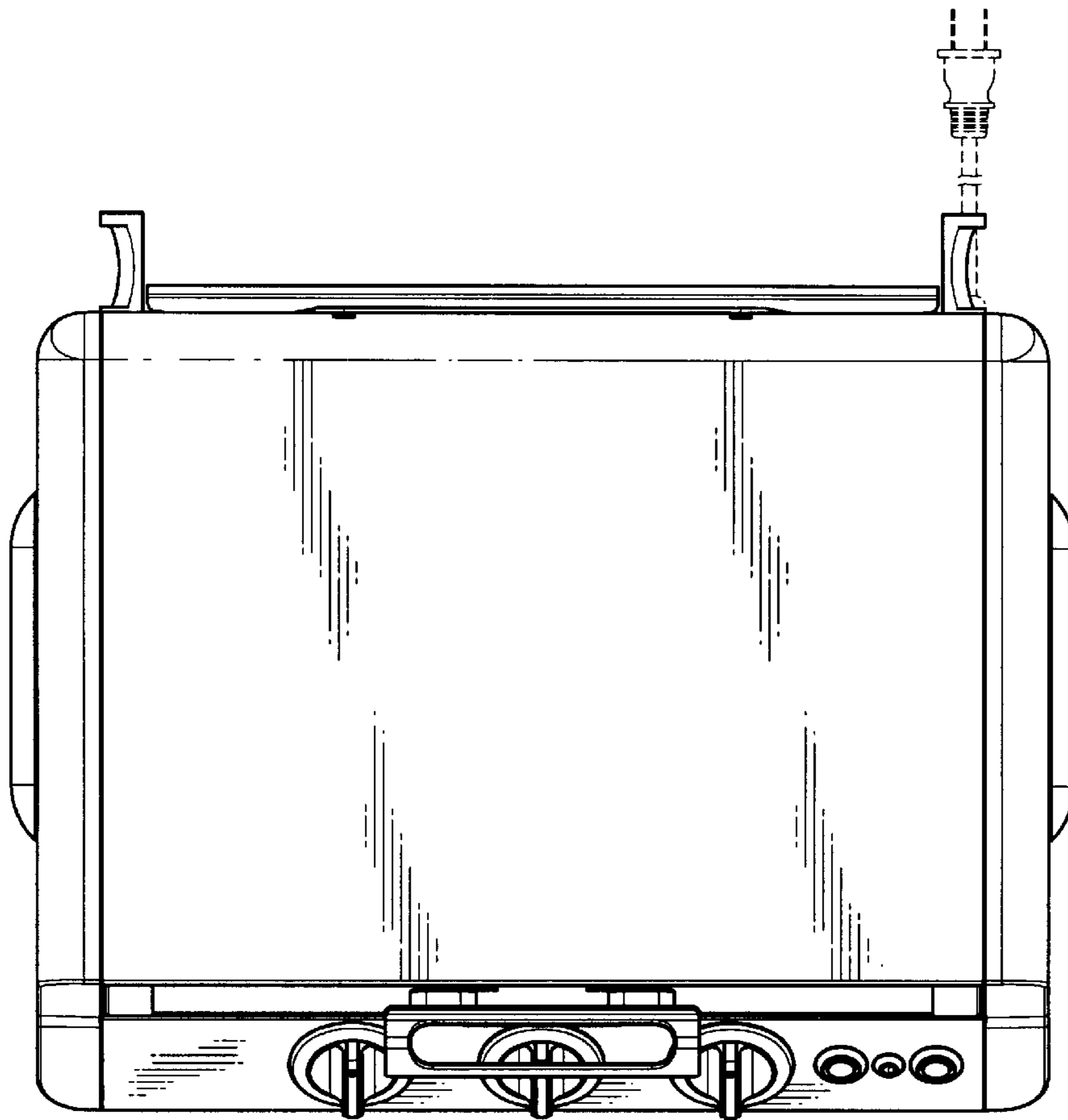


FIG. 4

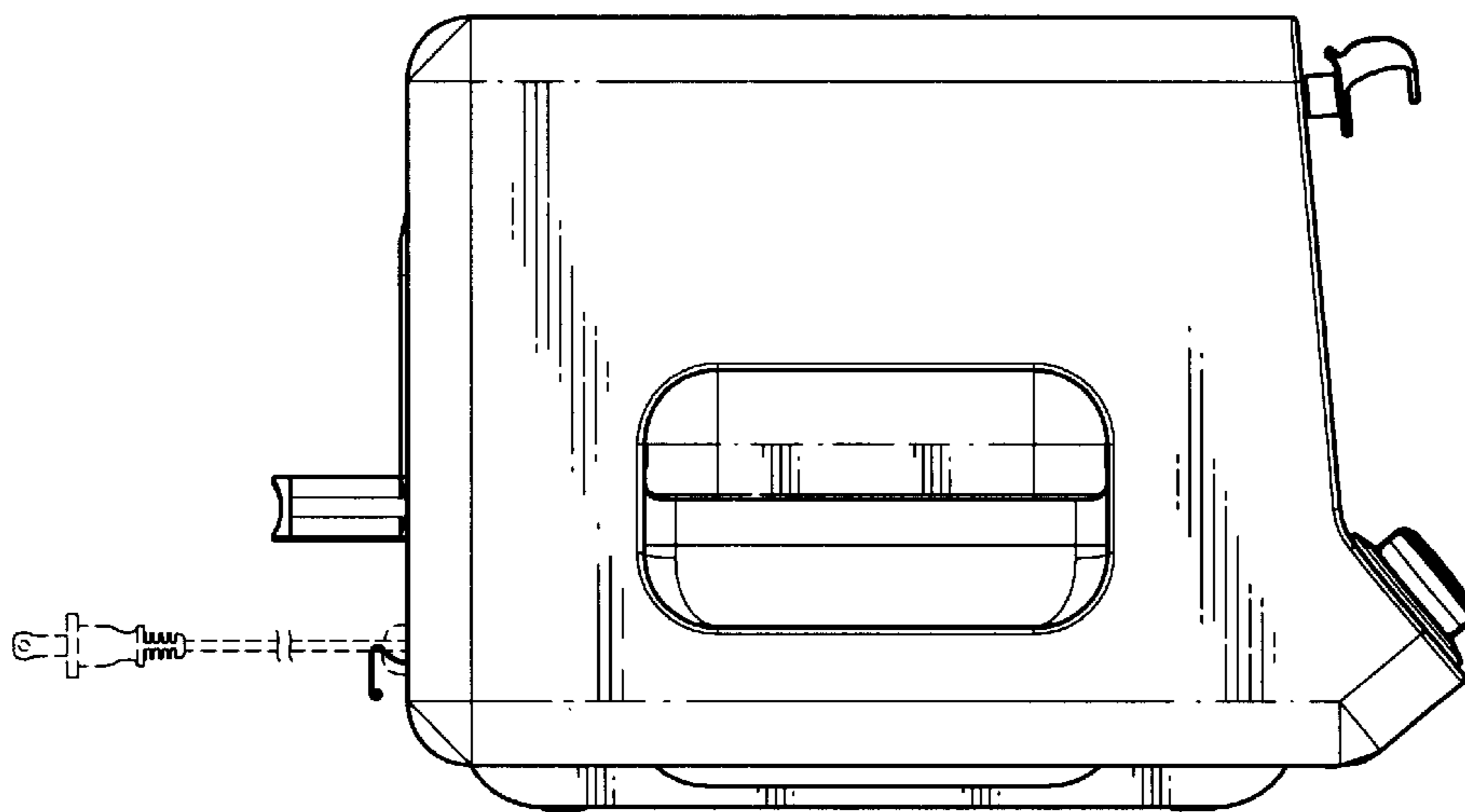


FIG. 5

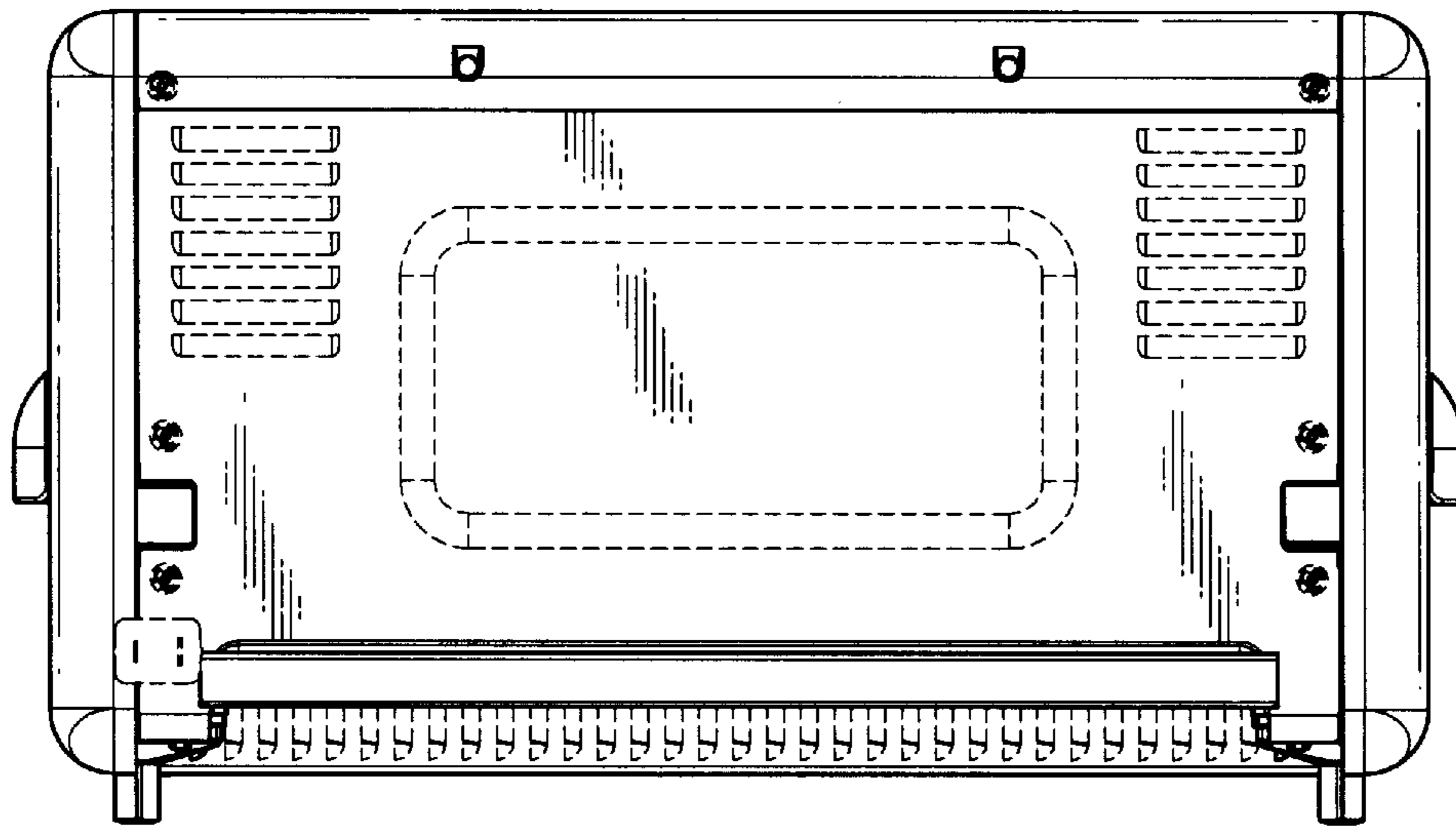


FIG. 6

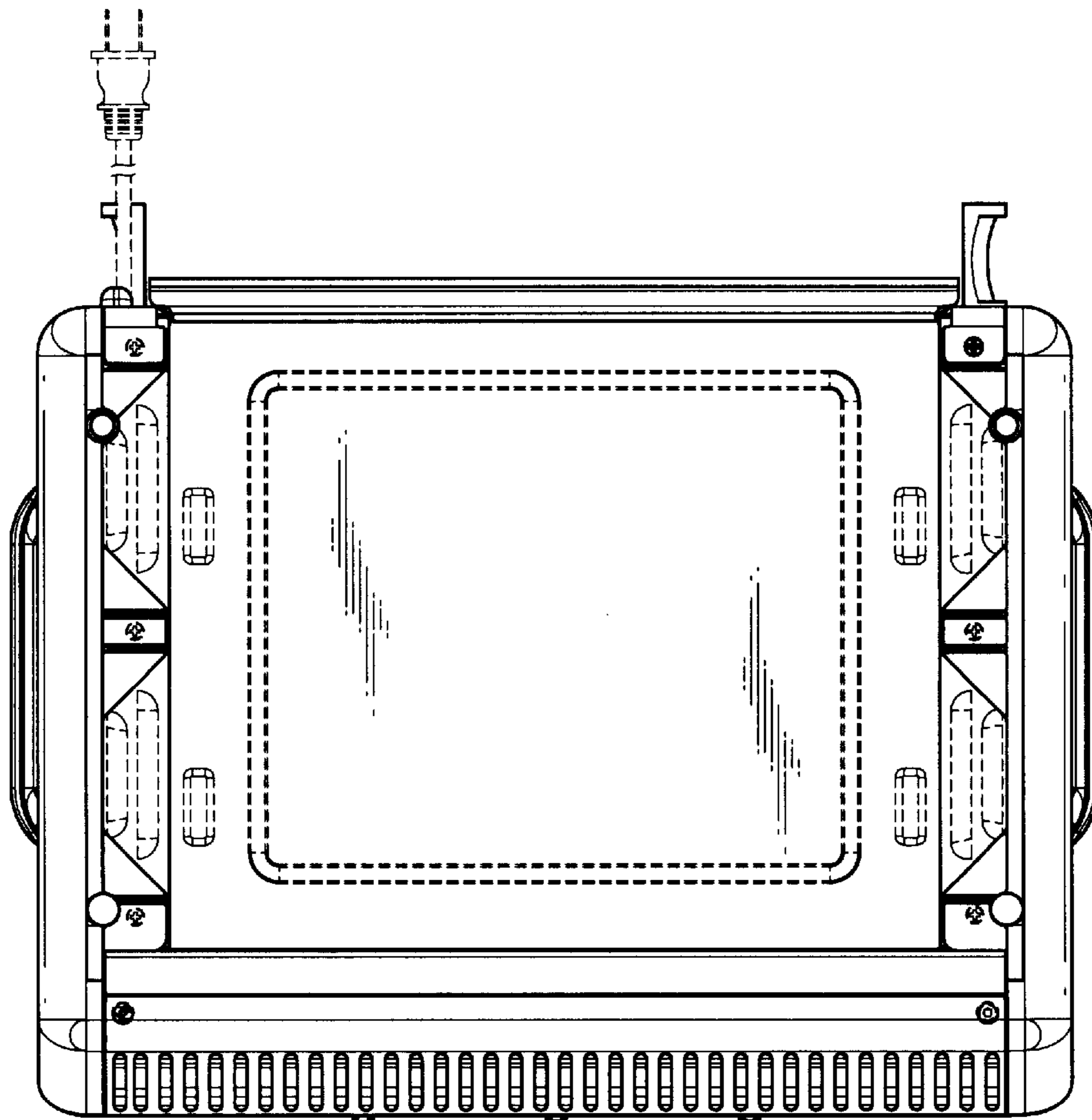


FIG. 7