



US00D533388S

(12) **United States Design Patent**
Cahen

(10) **Patent No.:** **US D533,388 S**

(45) **Date of Patent:** **** Dec. 12, 2006**

(54) **DRINKING FOUNTAIN**

(75) Inventor: **Antoine Cahen**, Cebazat (FR)

(73) Assignee: **Dieau S.A.**, Cebazet (FR)

(**) Term: **14 Years**

(21) Appl. No.: **29/216,876**

(22) Filed: **Nov. 10, 2004**

(30) **Foreign Application Priority Data**

May 10, 2004 (EM) 000175385-0001

(51) **LOC (8) Cl.** **07-01**

(52) **U.S. Cl.** **D7/306; D7/313**

(58) **Field of Classification Search** D7/308,
D7/307, 313, 397, 306, 311, 605; 141/319,
141/2; 62/3.63, 3.64, 338, 389; 222/1, 185.1,
222/143, 183

See application file for complete search history.

(56) **References Cited**

U.S. PATENT DOCUMENTS

D106,030 S * 9/1937 Gibson D7/306
D143,887 S * 2/1946 Thompson D7/307
3,088,289 A * 5/1963 Alex 62/3.64

5,105,858 A * 4/1992 Levinson 141/2
D350,453 S * 9/1994 Chaney D7/306
5,553,751 A * 9/1996 Mowers 222/183
D423,862 S * 5/2000 Mravlja et al. D7/306
D429,108 S * 8/2000 Smith D7/306
D432,847 S * 10/2000 Smith D7/306
6,561,382 B1 * 5/2003 Shelton 222/1
D482,227 S * 11/2003 Walton D7/306
6,708,848 B1 * 3/2004 Sheridan et al. 222/146.6
D498,969 S * 11/2004 Nicol D7/306

* cited by examiner

Primary Examiner—M. N. Pandozzi

(74) *Attorney, Agent, or Firm*—Oblon, Spivak, McClelland,
Maier & Neustadt, P.C.

(57) **CLAIM**

The ornamental design for a drinking fountain, as shown.

DESCRIPTION

FIG. 1 is a front elevational view of a drinking fountain,
showing my design;

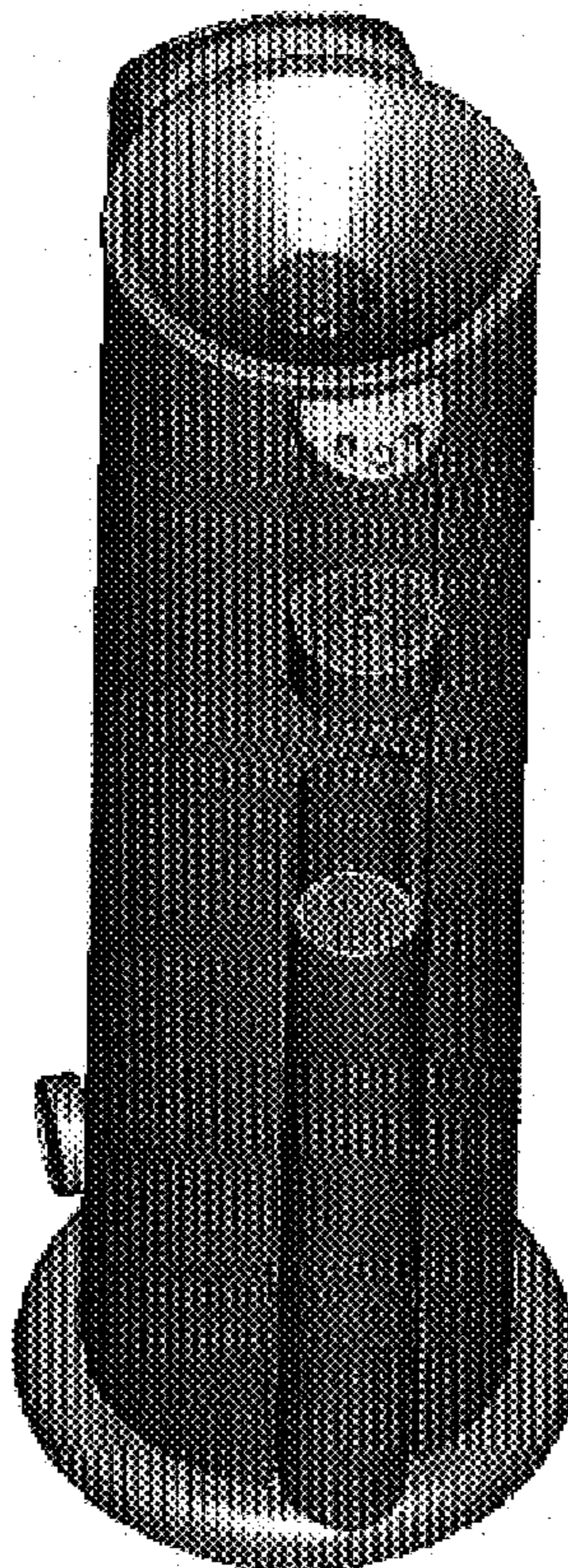
FIG. 2 is a right side elevational view thereof;

FIG. 3 is a left side elevational view thereof;

FIG. 4 is a rear elevational view thereof; and,

FIG. 5 is a top plan view thereof.

1 Claim, 5 Drawing Sheets



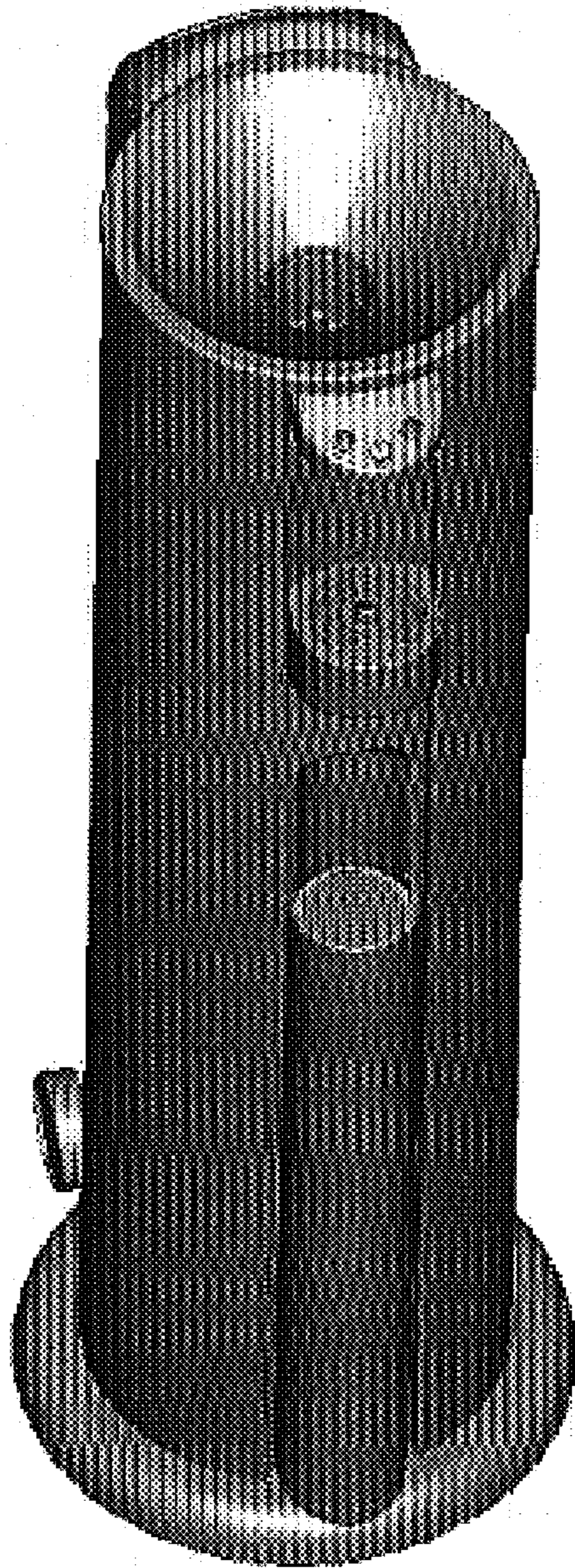


FIGURE 1

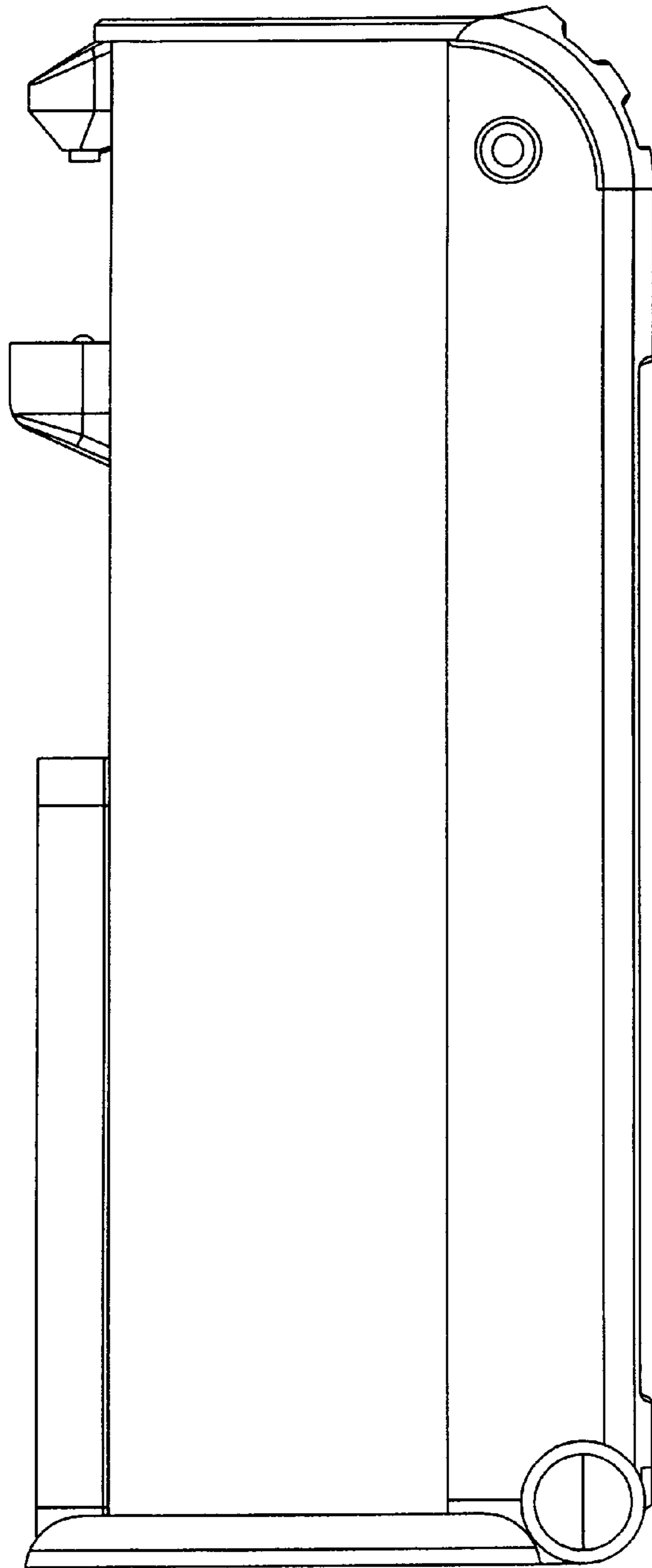


Fig. 2

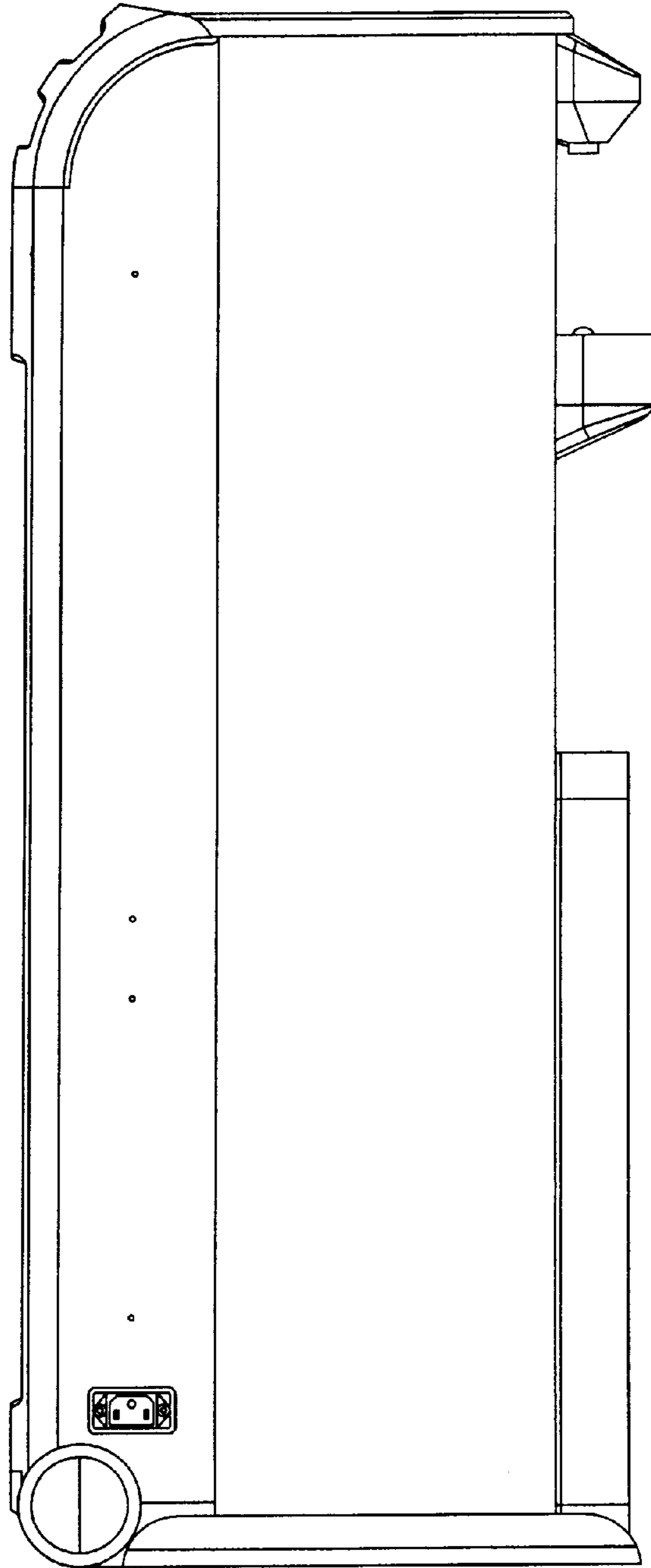


Fig. 3

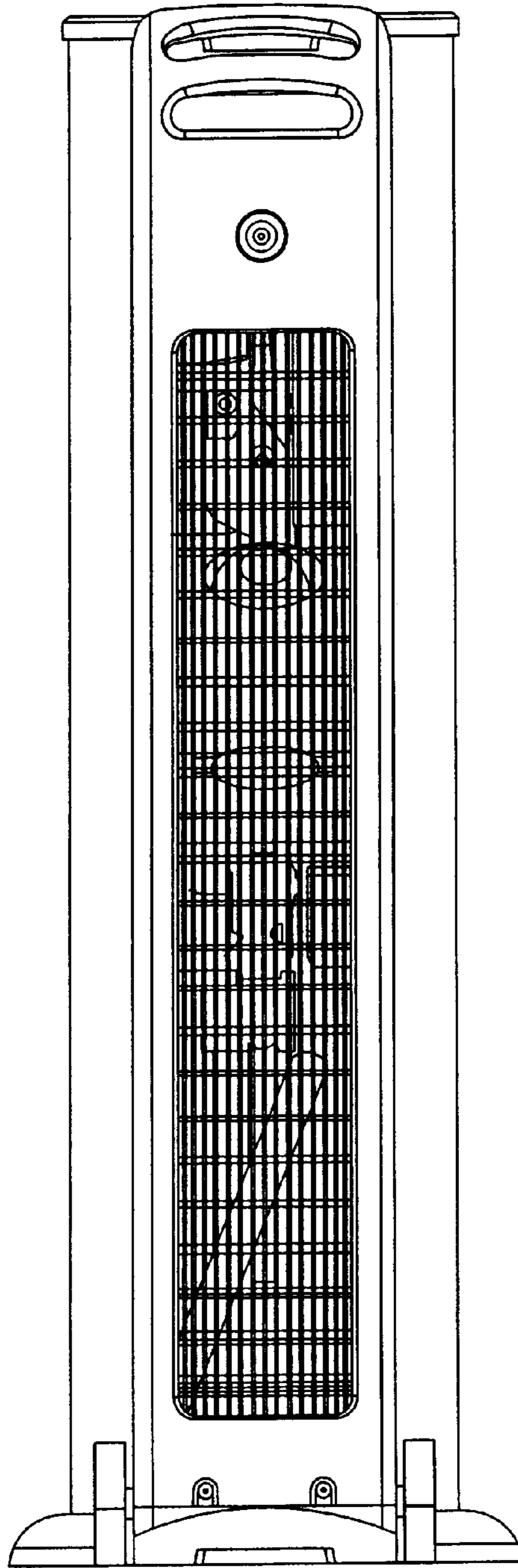


Fig. 4

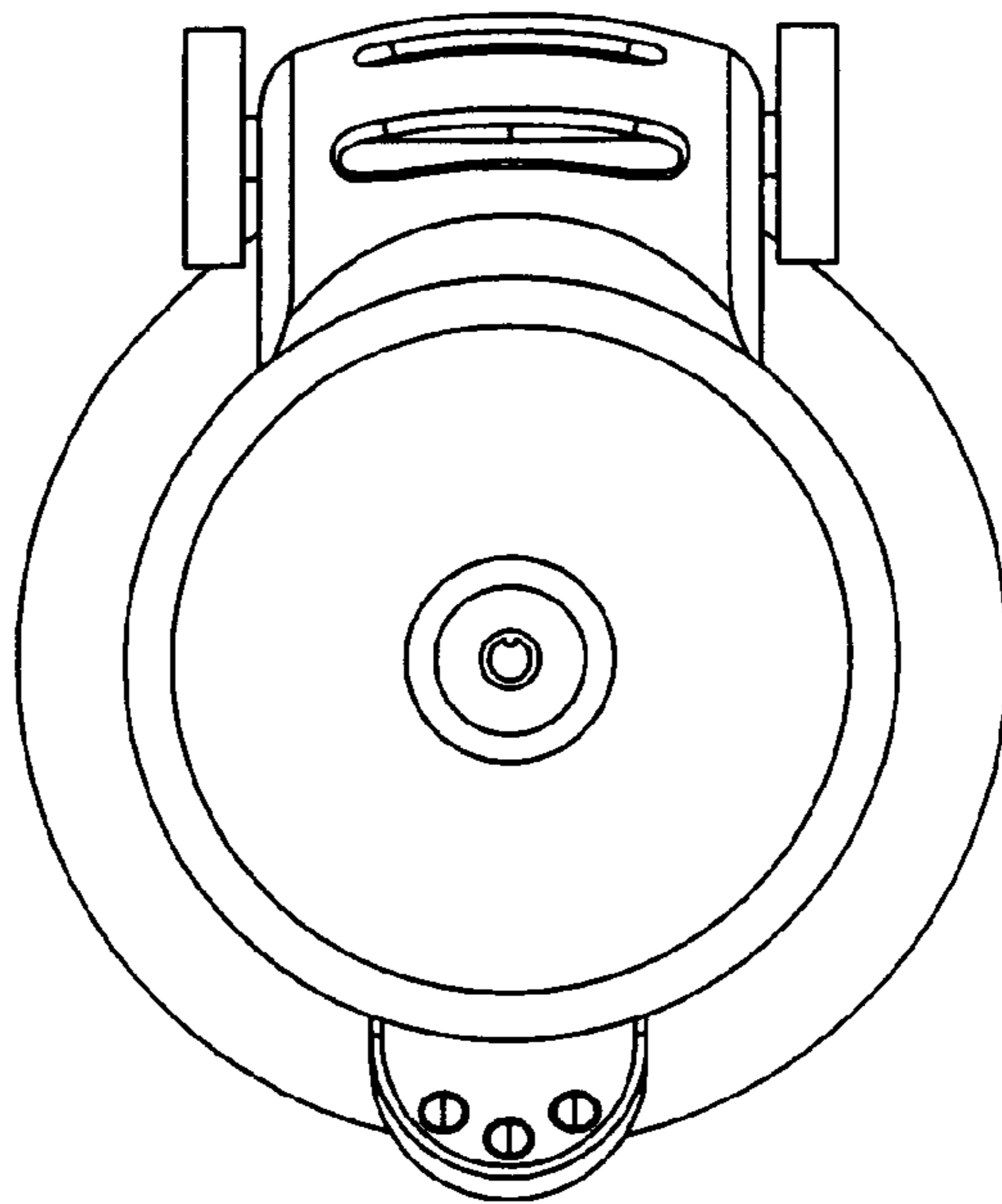


Fig. 5

UNITED STATES PATENT AND TRADEMARK OFFICE
CERTIFICATE OF CORRECTION

PATENT NO. : Des. 533,388 S
APPLICATION NO. : 29/216876
DATED : December 12, 2006
INVENTOR(S) : Cahen

Page 1 of 1

It is certified that error appears in the above-identified patent and that said Letters Patent is hereby corrected as shown below:

On the title page, Item (73), the Assignee information is incorrect. Item (73) should read:

-- (73) Assignee: **Dieau S.A.**, Cebazat (FR) --

Signed and Sealed this

Third Day of April, 2007

A handwritten signature in black ink on a light gray dotted background. The signature reads "Jon W. Dudas" in a cursive style.

JON W. DUDAS

Director of the United States Patent and Trademark Office