



US00D533383S

(12) **United States Design Patent** (10) **Patent No.:** **US D533,383 S**  
**Berberet et al.** (45) **Date of Patent:** **\*\* Dec. 12, 2006**

(54) **WALL MOUNTABLE ACCESSORY**

D521,789 S \* 5/2006 Berberet ..... D6/546  
D522,296 S \* 6/2006 Solowiej ..... D6/546

(75) Inventors: **Suzanne M. Berberet**, Sheboygan, WI (US); **John K. Blomstrom**, Sheboygan Falls, WI (US)

(73) Assignee: **Kohler Co.**, Kohler, WI (US)

(\*\*) Term: **14 Years**

(21) Appl. No.: **29/261,518**

(22) Filed: **Jun. 15, 2006**

**Related U.S. Application Data**

(62) Division of application No. 29/205,838, filed on May 21, 2004.

(51) **LOC (8) Cl.** ..... **06-04**

(52) **U.S. Cl.** ..... **D6/546**

(58) **Field of Classification Search** ..... D6/546-550,  
D6/518-523; D8/300, 303, 315, 321, 349,  
D8/354, 363, 373, 380; 108/28-29; 248/175,  
248/176.1, 251, 302, 309.1; 16/110.1, 412,  
16/415; 242/570, 590, 595-598; 211/13.1,  
211/16, 60.1, 100, 86.01, 87.01, 88.01, 88.04,  
211/105.1, 105.2, 123, 182, 181.1  
See application file for complete search history.

(56) **References Cited**

**U.S. PATENT DOCUMENTS**

- 2,632,605 A \* 3/1953 Lee ..... 242/597.3
- D218,331 S \* 8/1970 Ultz ..... D6/523
- 4,836,462 A \* 6/1989 Bruss ..... 242/598.2
- D424,353 S \* 5/2000 Duggan ..... D6/550
- D450,503 S \* 11/2001 Gottwald ..... D6/523
- D455,587 S \* 4/2002 Ou-Young ..... D6/523
- D465,365 S \* 11/2002 Moore ..... D6/523
- 6,554,222 B1 \* 4/2003 Lindow, Sr. .... 242/598.5
- D477,167 S \* 7/2003 Hoernig ..... D6/523
- D477,481 S \* 7/2003 Ouano ..... D6/523
- D477,731 S \* 7/2003 Hoernig ..... D6/523

**OTHER PUBLICATIONS**

Kohler Catalog, p. 57, Fairfax—Accessories, H. Fairfax Soap Dish.

Kohler Catalog, Soap Dish.

Kohler Catalog, escutcheon and bent support structure (valve handle) similar to that used to support soap dish support.

\* cited by examiner

*Primary Examiner*—Brian N Vinson

(74) *Attorney, Agent, or Firm*—Quarles & Brady LLP

(57) **CLAIM**

The ornamental design for a wall mountable accessory, as shown and described.

**DESCRIPTION**

In a preferred embodiment, the nature of this product is as an accessory in the form of a towel hook.

FIG. 1 is a left, top, front perspective view of a wall mountable accessory embodying our new design;

FIG. 2 is a front elevational view thereof;

FIG. 3 is a top plan view thereof;

FIG. 4 is left side elevational view thereof;

FIG. 5 is a right side elevational view thereof;

FIG. 6 is a bottom plan view thereof;

FIG. 7 is a rear elevational view thereof; and,

FIG. 8 is a front elevational view of a wall mountable accessory of another embodiment of our new design, the perspective, front, top, left side, right side, bottom and rear views of this embodiment being mirror images of the respective views shown in FIGS. 1-7.

The broken line representations of the mounting structure in FIG. 7 are for the purpose of illustration only, and form no part of the claimed design.

**1 Claim, 3 Drawing Sheets**

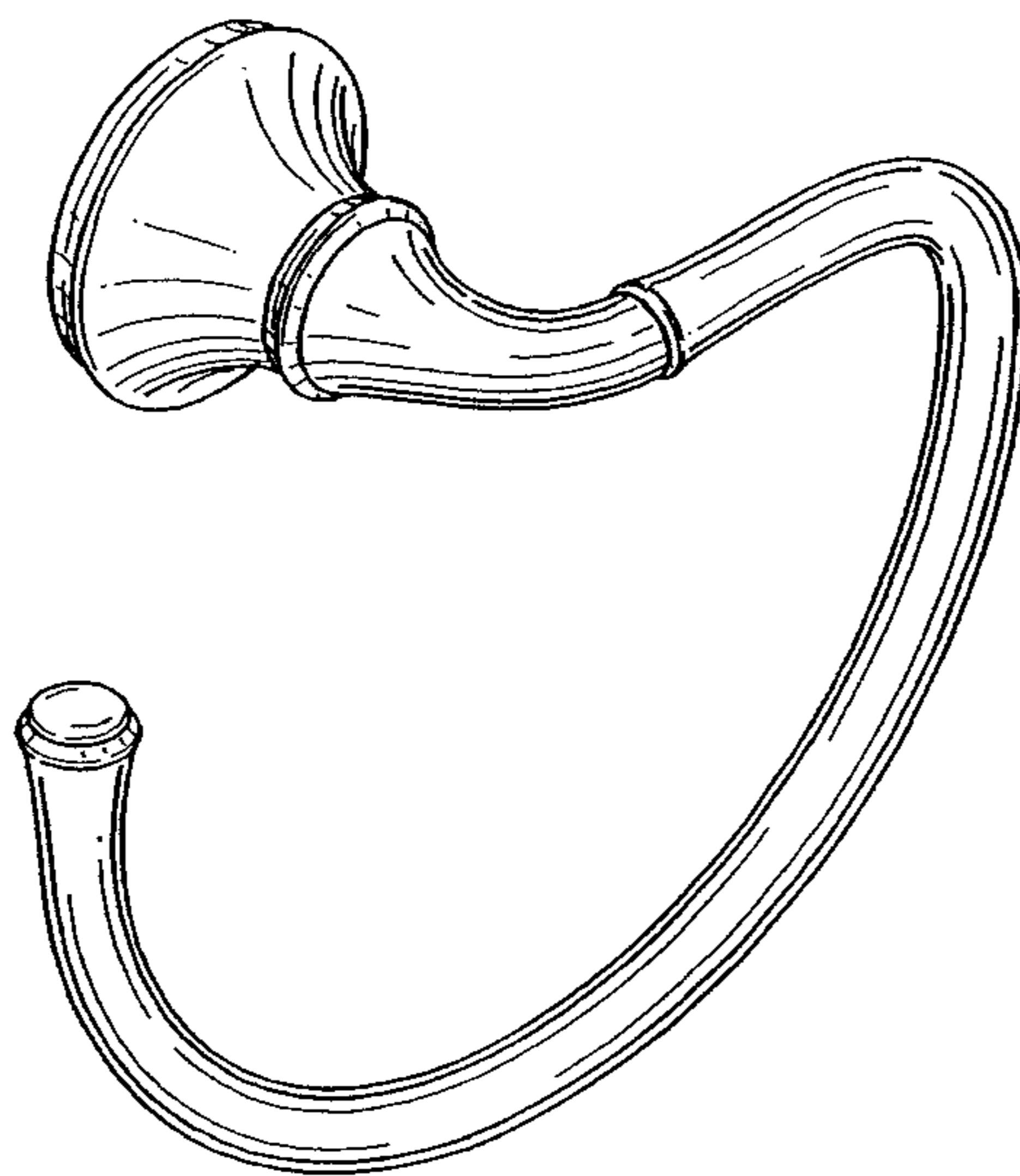


FIG. 1

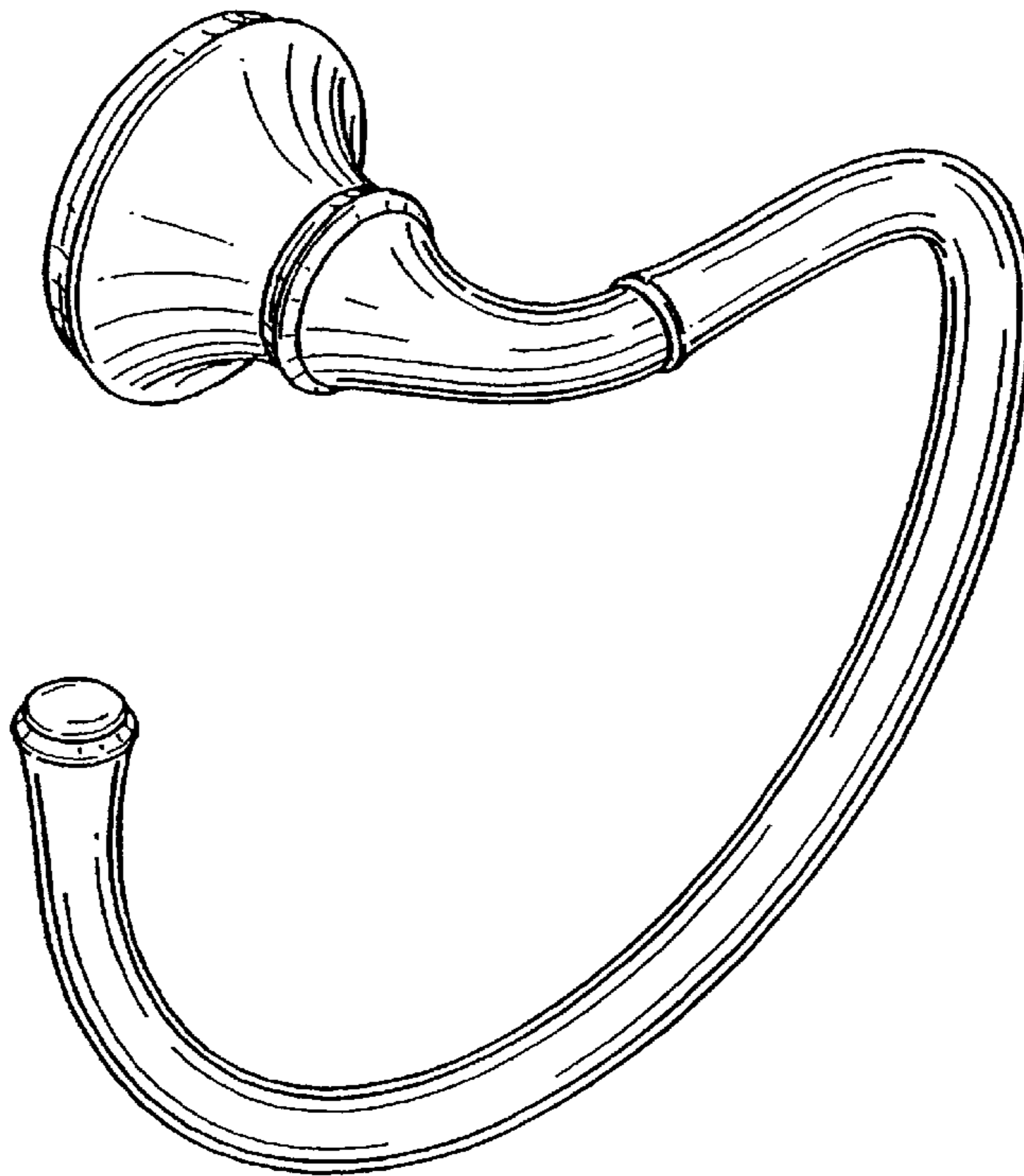


FIG. 2

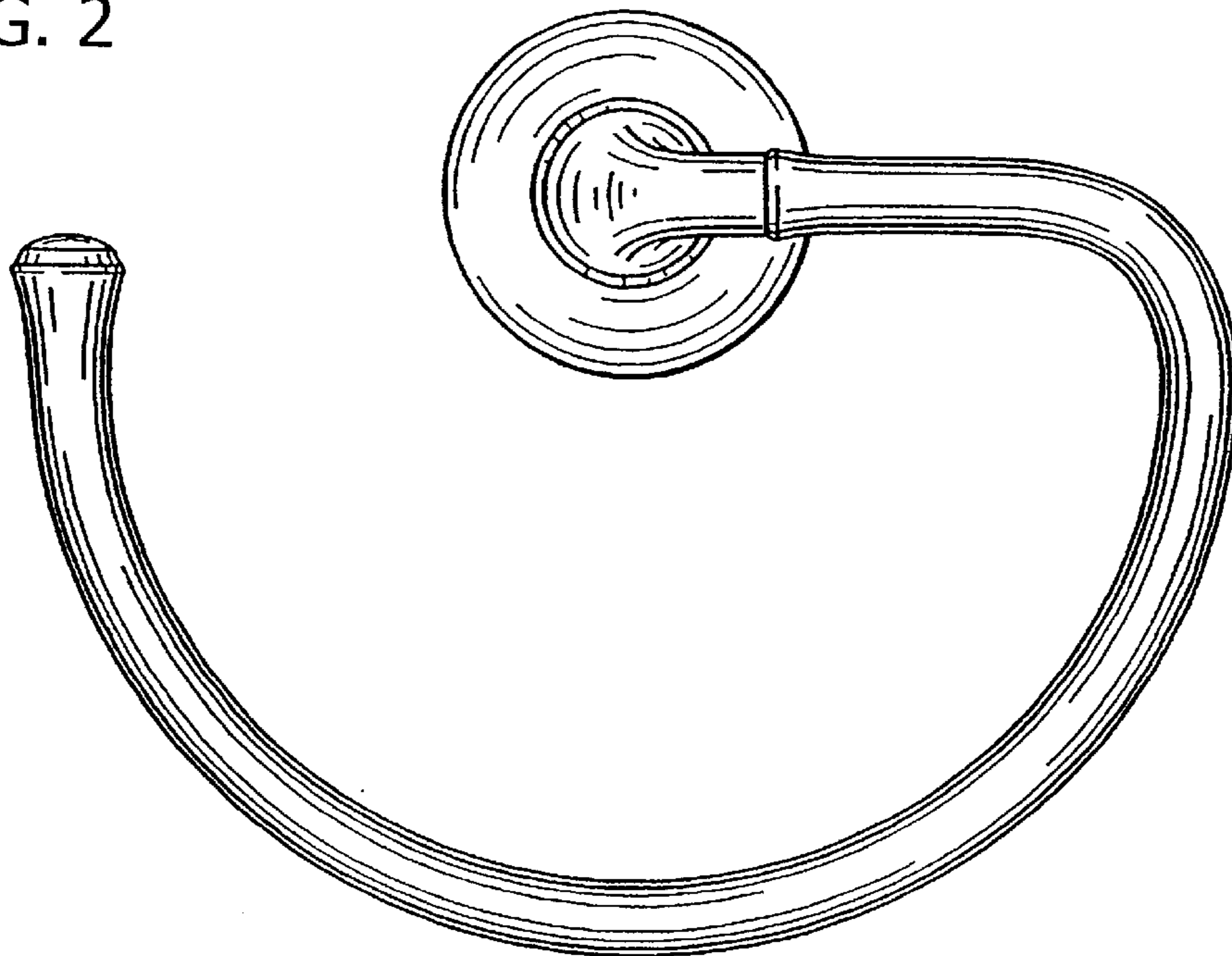


FIG. 3

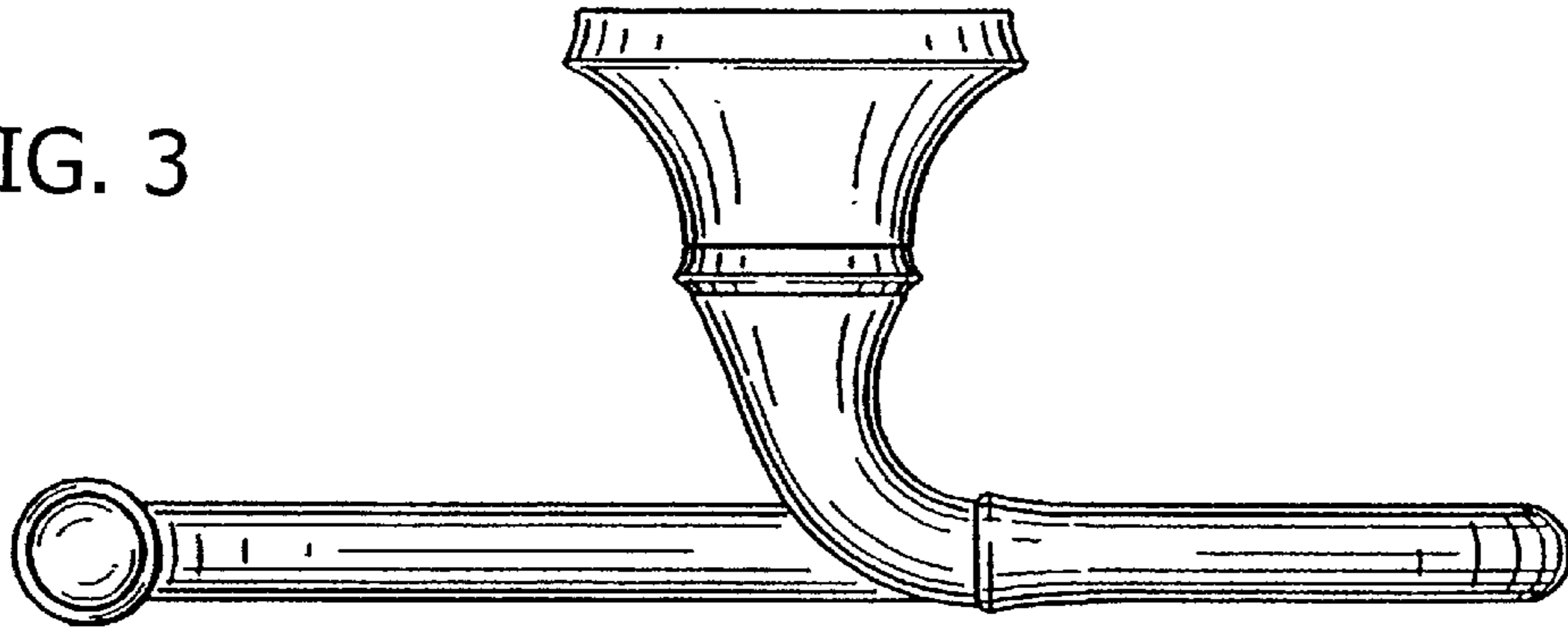


FIG. 4

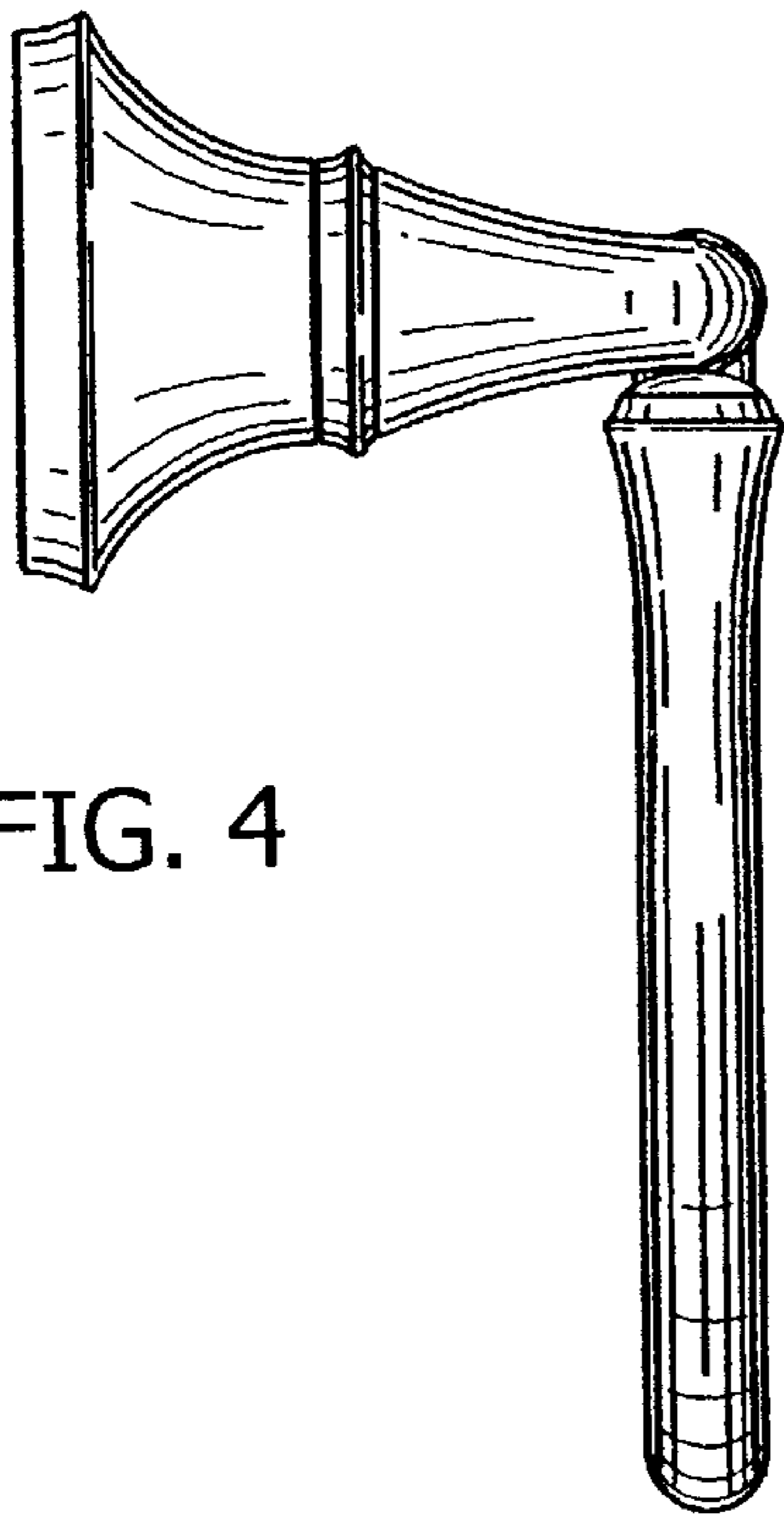


FIG. 5

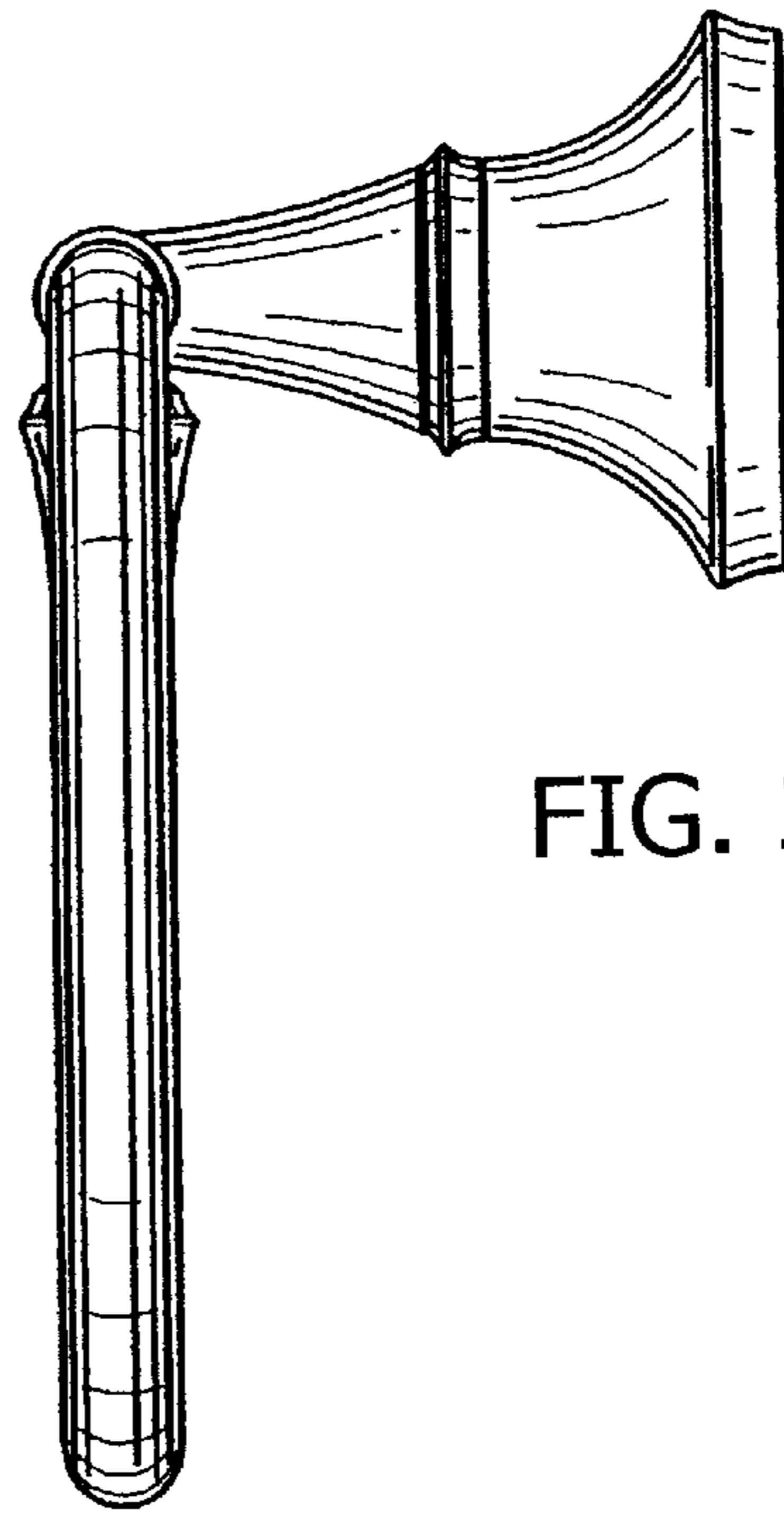
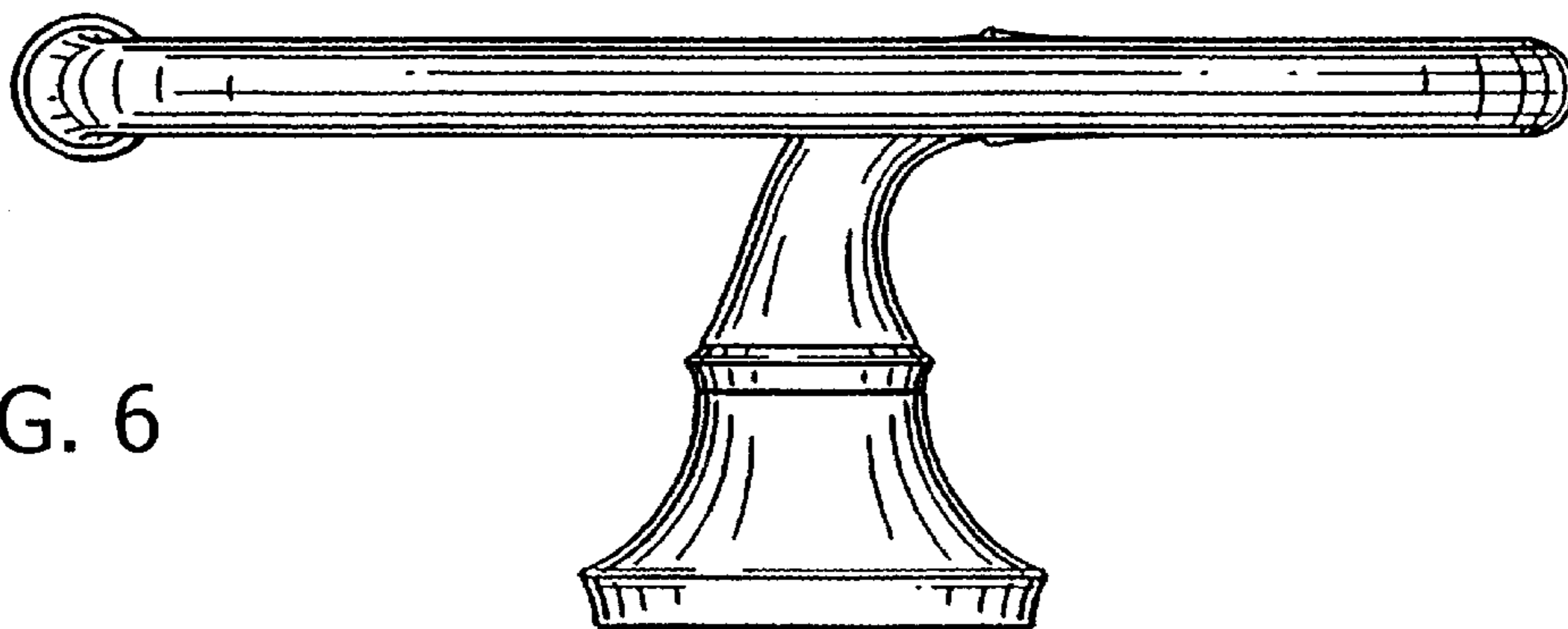


FIG. 6





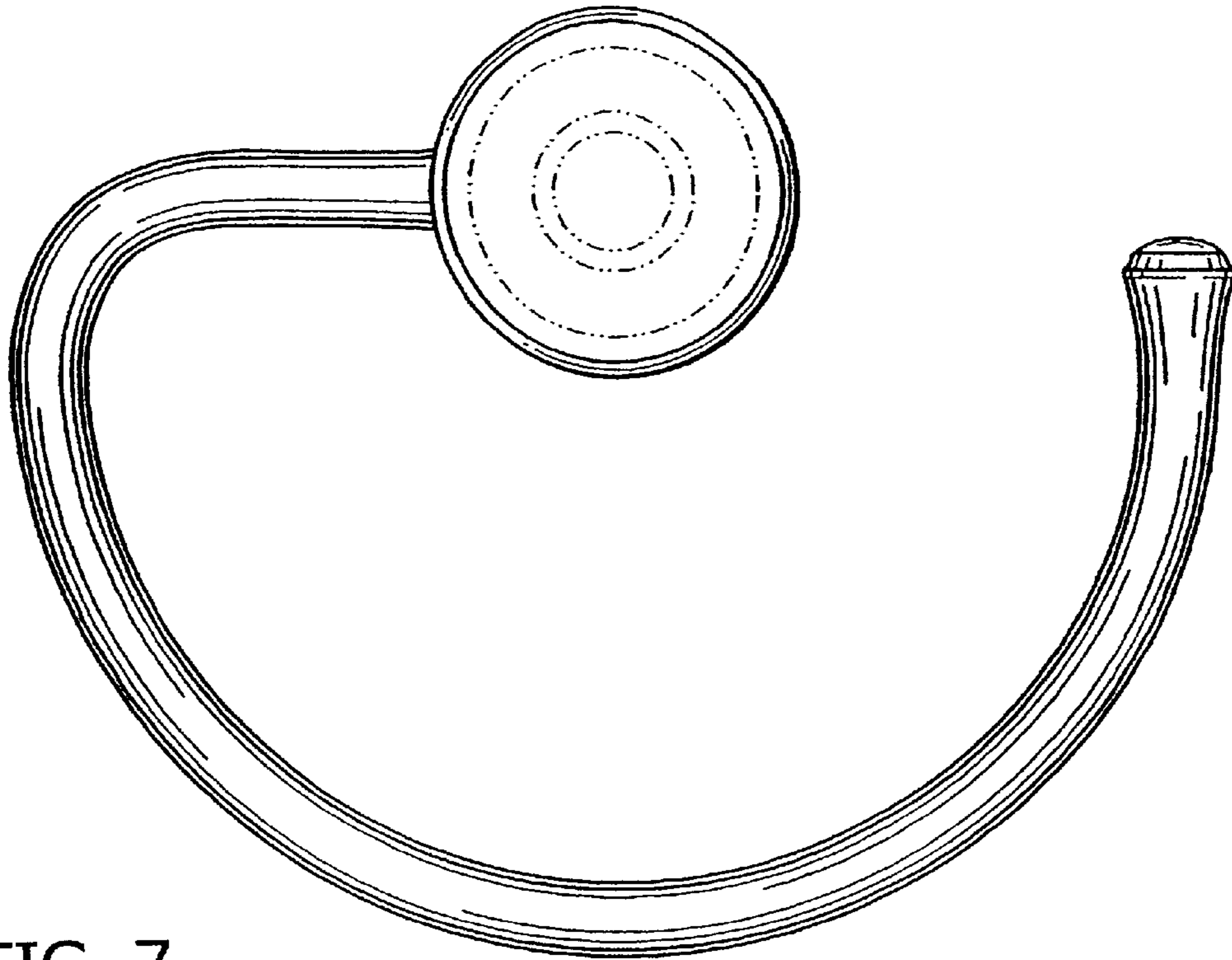


FIG. 7

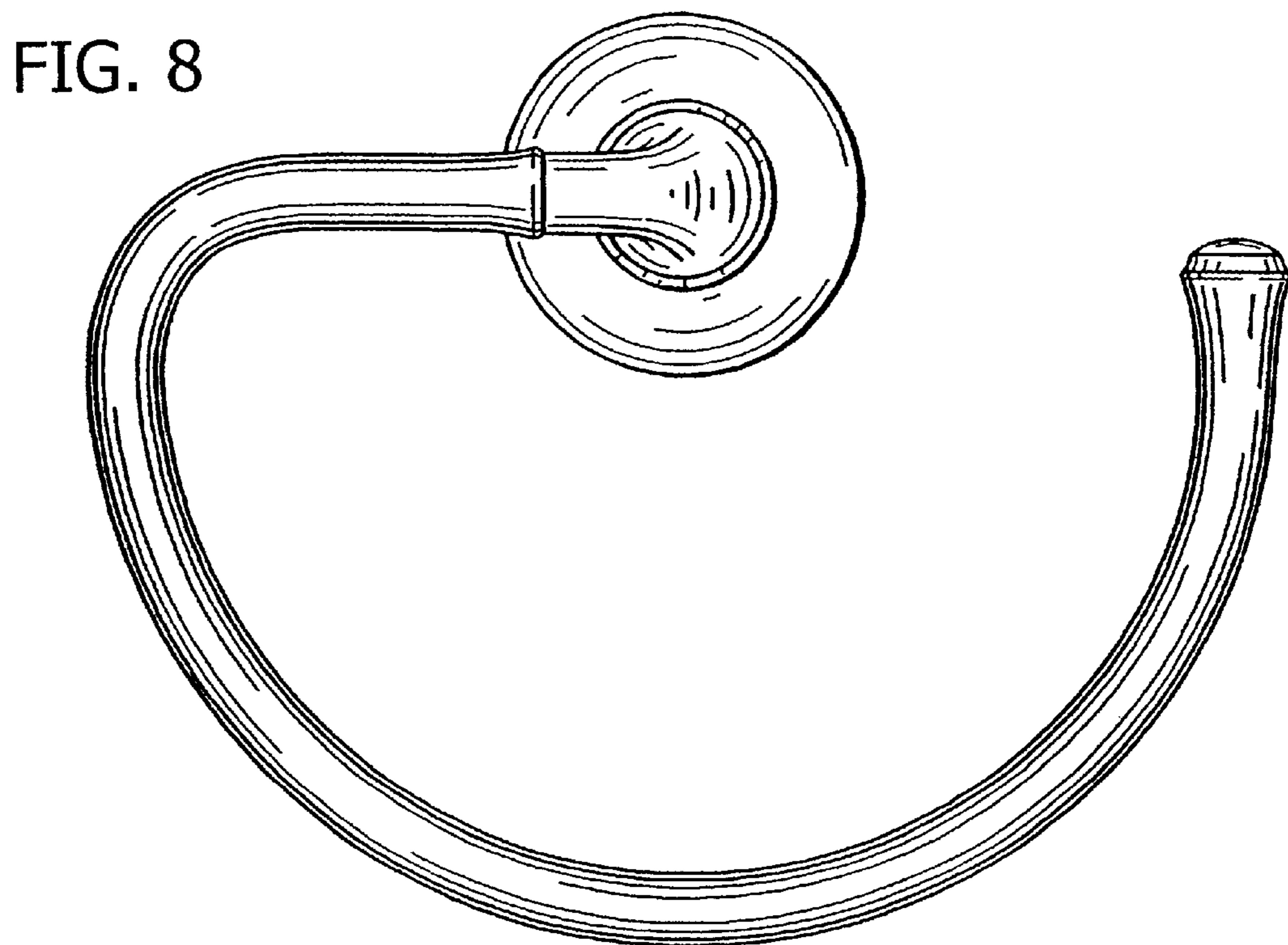


FIG. 8