



US00D533375S

(12) **United States Design Patent**  
**Muller**

(10) **Patent No.:** **US D533,375 S**  
(45) **Date of Patent:** **\*\* Dec. 12, 2006**

(54) **SEAT FRAME**

D489,911 S 5/2004 Muller ..... D6/360  
D502,330 S \* 3/2005 Petrucci ..... D6/360

(75) Inventor: **Carl A. Muller**, Huntington Beach, CA  
(US)

**OTHER PUBLICATIONS**

(73) Assignee: **Elite Manufacturing Corporation**,  
Santa Fe Springs, CA (US)

Michael Wolk, "5006-29 Barstool" for Design Institute  
America, 1-page (2002).

(\*\*) Term: **14 Years**

Shin and Tomoko Azumi, "LEM Barstool," manufactured  
by Lapalma, 1-page (2000).

(21) Appl. No.: **29/214,680**

Muller, "Seat Frame," pending U.S. Appl. No. 29/204,732,  
filed May 3, 2004.

(22) Filed: **Oct. 7, 2004**

Muller, "Seat Frame," pending U.S. Appl. No. 29/204,229,  
filed Apr. 27, 2004.

(51) **LOC (8) Cl.** ..... **06-01**

Muller, "Seat Frame," pending U.S. Appl. No. 29/214,890,  
filed Oct. 8, 2004.

(52) **U.S. Cl.** ..... **D6/500; D6/360**

\* cited by examiner

(58) **Field of Classification Search** ..... D6/334-335,

D6/360, 364, 365, 370, 372, 373, 374, 375,

D6/379, 380, 500-502; 297/68, 423.1, 411.42,

297/411.44, 447.1, 447.2, 451.1, 451.5, 445.1,

297/344.19

*Primary Examiner*—Mimosa De

(74) *Attorney, Agent, or Firm*—Heslin Rothenberg Farley  
& Mesiti P.C.

See application file for complete search history.

(57) **CLAIM**

(56) **References Cited**

The ornamental design for a seat frame, as shown and  
described.

**U.S. PATENT DOCUMENTS**

**DESCRIPTION**

D148,922 S \* 3/1948 Fleischer ..... 297/411.44

D181,213 S \* 10/1957 Lubberts ..... D6/374

2,919,746 A \* 1/1960 Fidel ..... 297/68

D210,772 S \* 4/1968 Smith ..... D6/356

D213,683 S \* 4/1969 Leistikow ..... D6/374

D215,429 S \* 9/1969 Sickler ..... D6/360

3,891,270 A \* 6/1975 Crossman et al. .... 297/344.19

D298,987 S \* 12/1988 Tiffany ..... D6/360

D342,624 S \* 12/1993 Vogtherr ..... D6/380

D360,539 S \* 7/1995 Cretcher ..... D6/379

D365,694 S \* 1/1996 Liisberg ..... D6/360

D421,851 S \* 3/2000 Tihany ..... D6/369

D487,982 S \* 4/2004 Lee ..... D6/360

D487,983 S 4/2004 Muller ..... D3/360

FIG. 1 is a perspective view of a seat frame in accordance  
with the new design;

FIG. 2 is a front elevational view thereof;

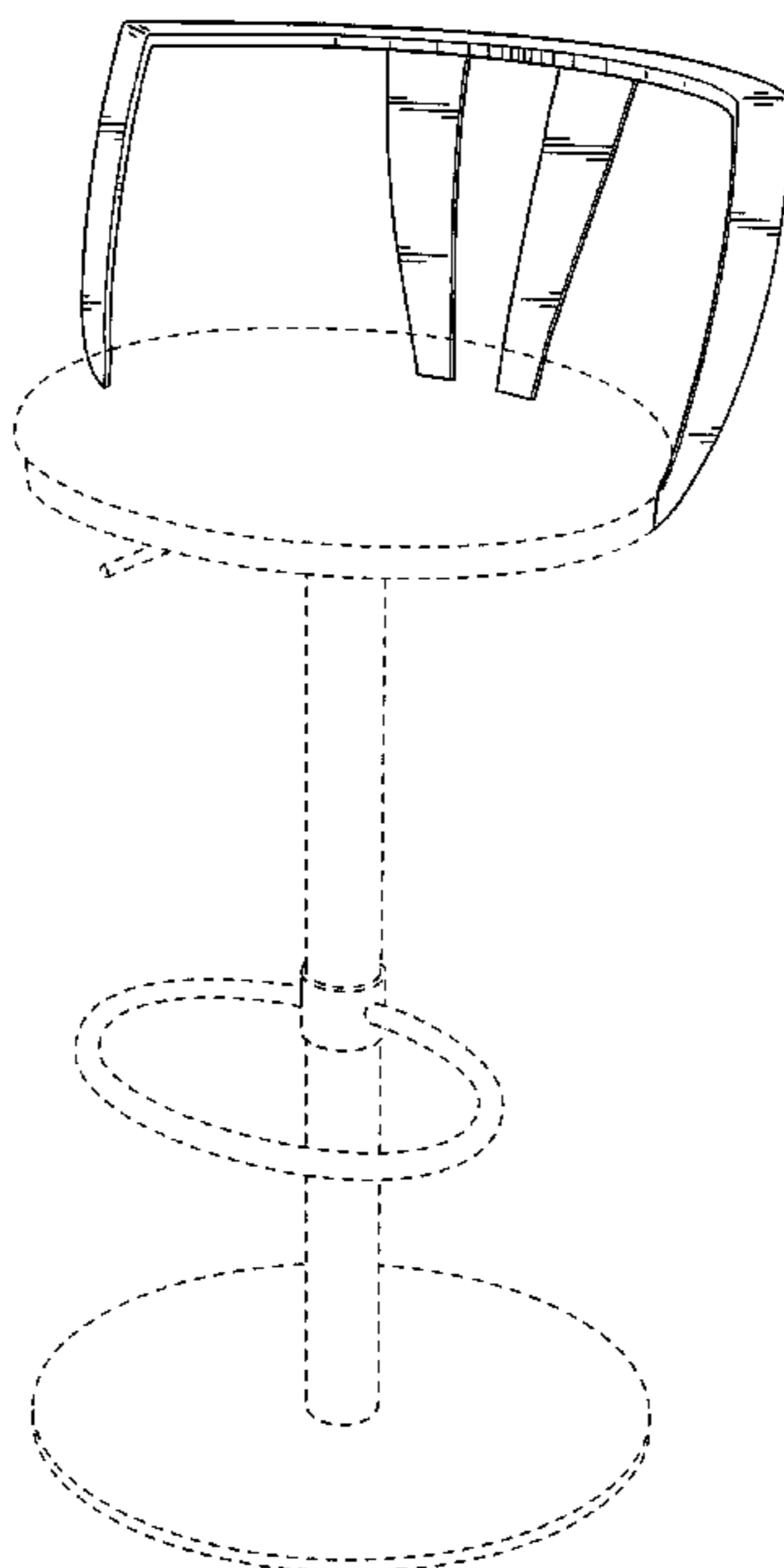
FIG. 3 is a left side elevational view thereof, a right side  
elevational view being a mirror image thereof;

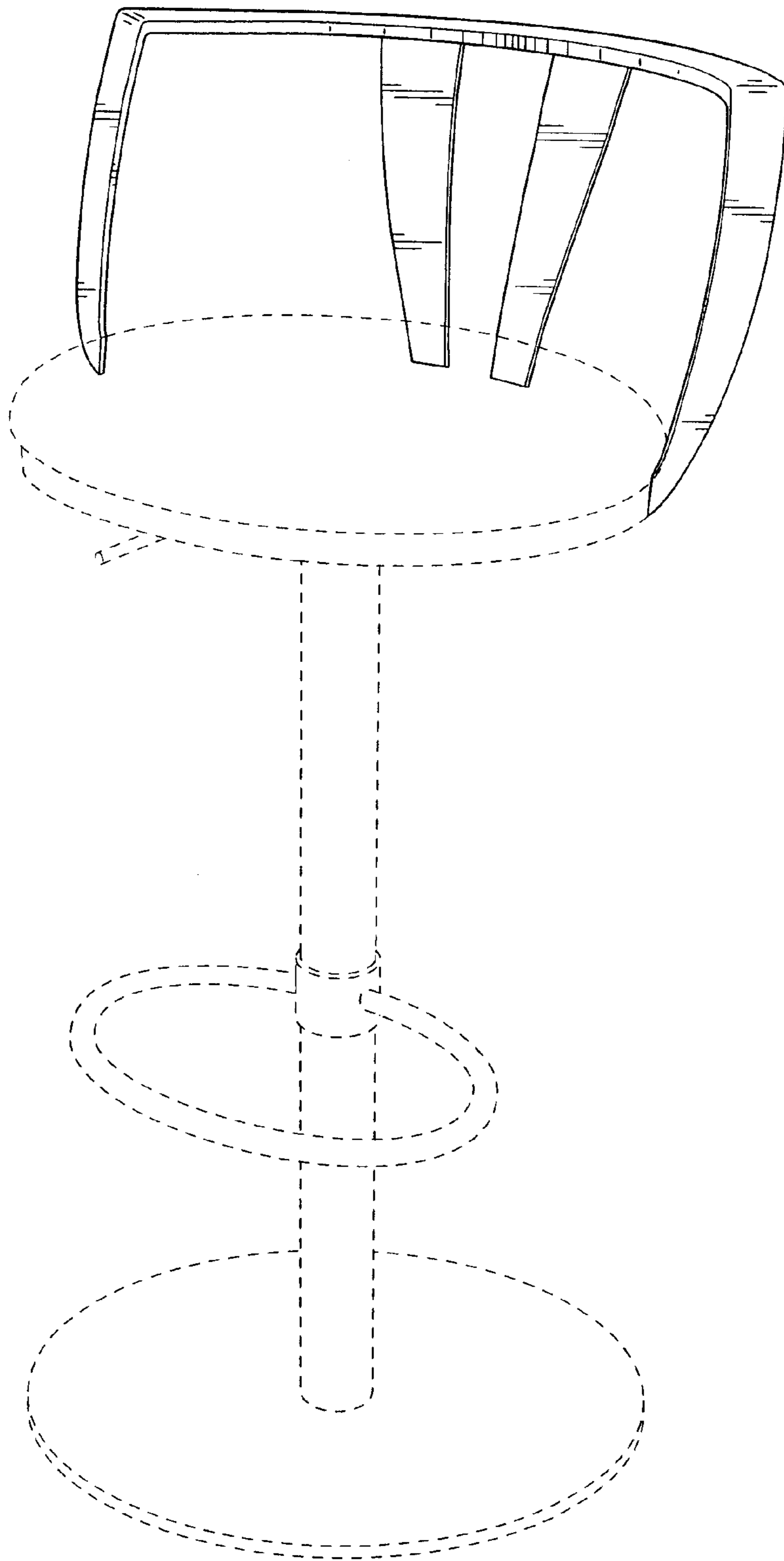
FIG. 4 is a rear elevational view thereof; and,

FIG. 5 is a top view thereof.

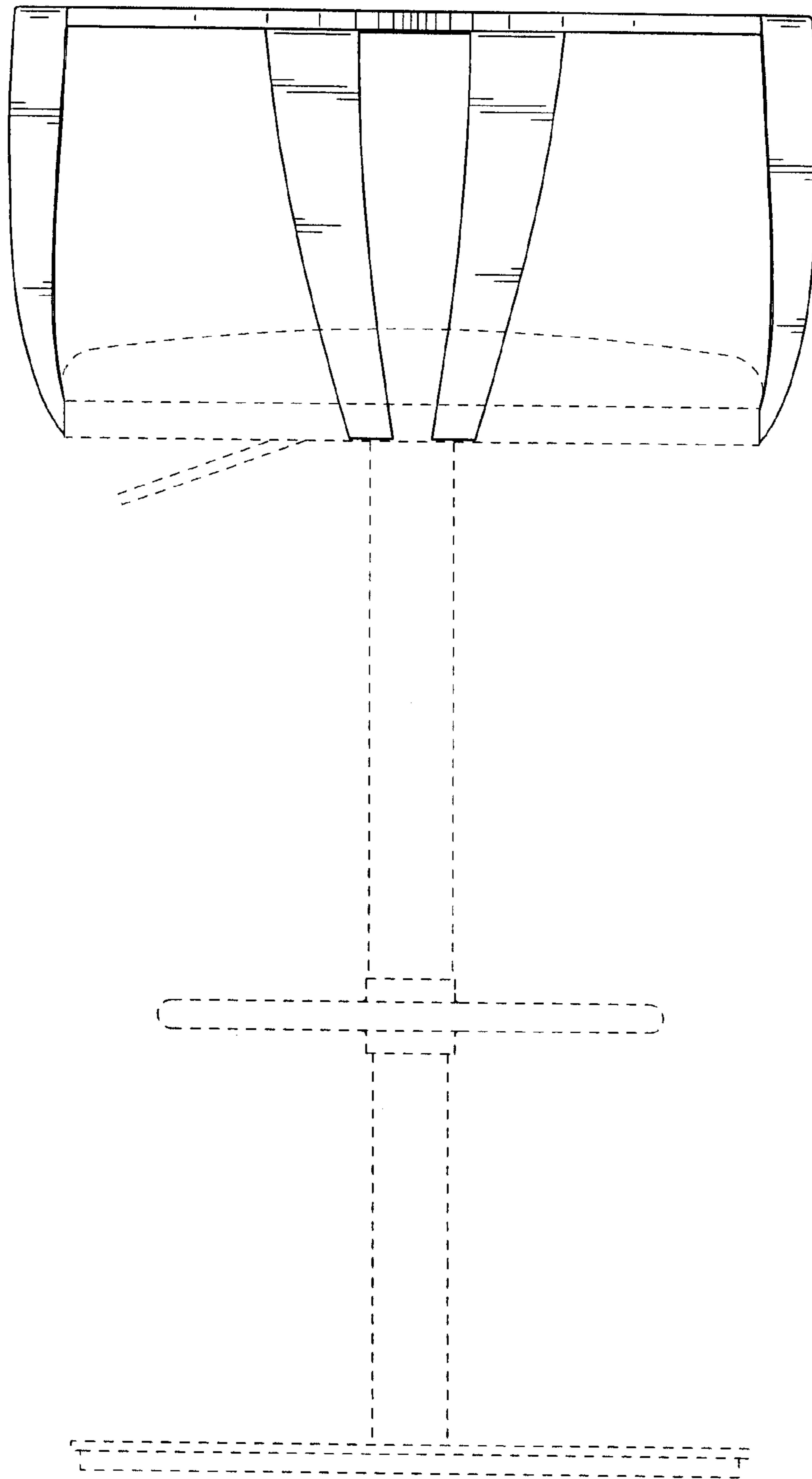
The broken lines in the figures are for illustrative purposes  
only and form no part of the claimed invention.

**1 Claim, 5 Drawing Sheets**

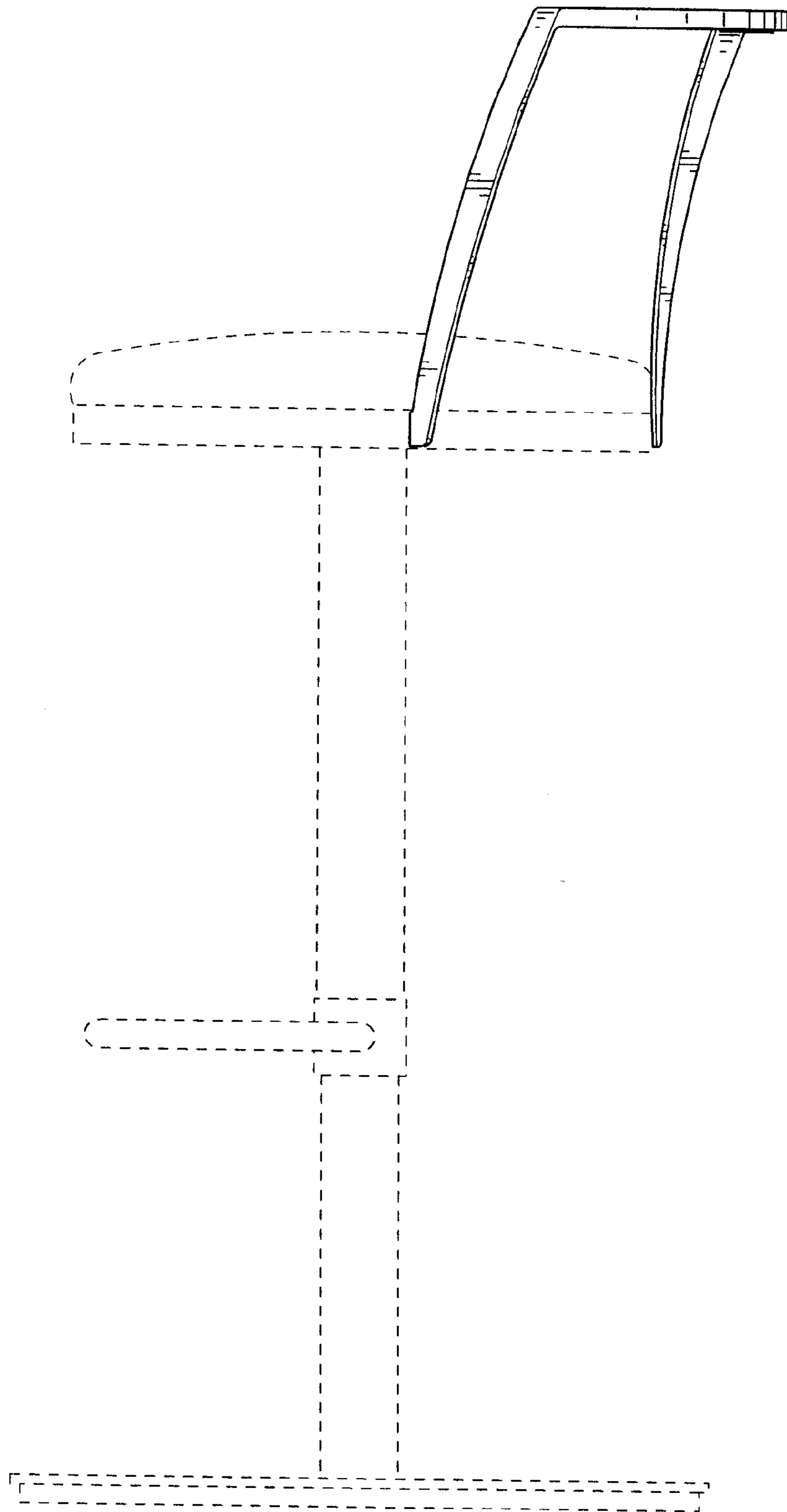




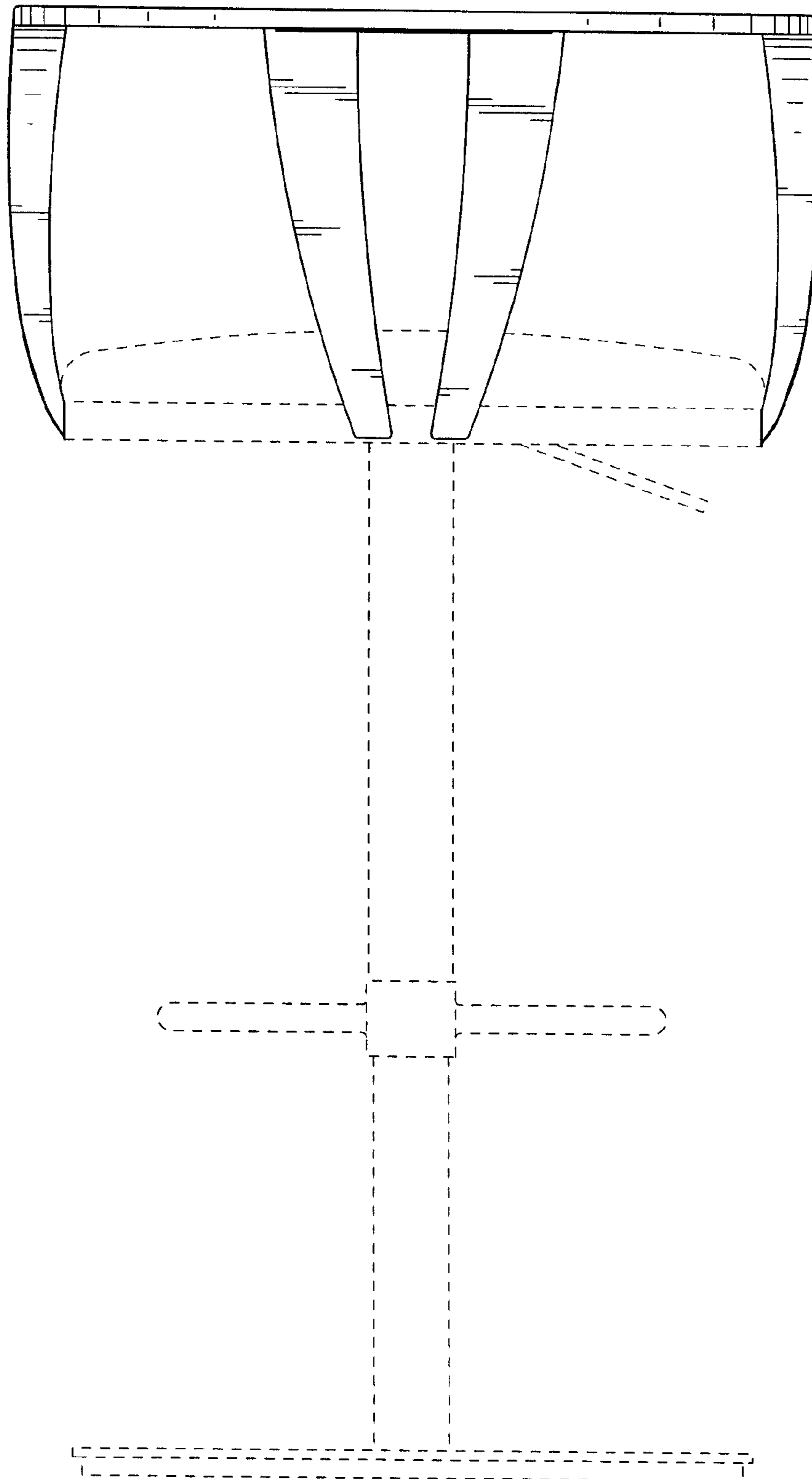
**FIG. 1**



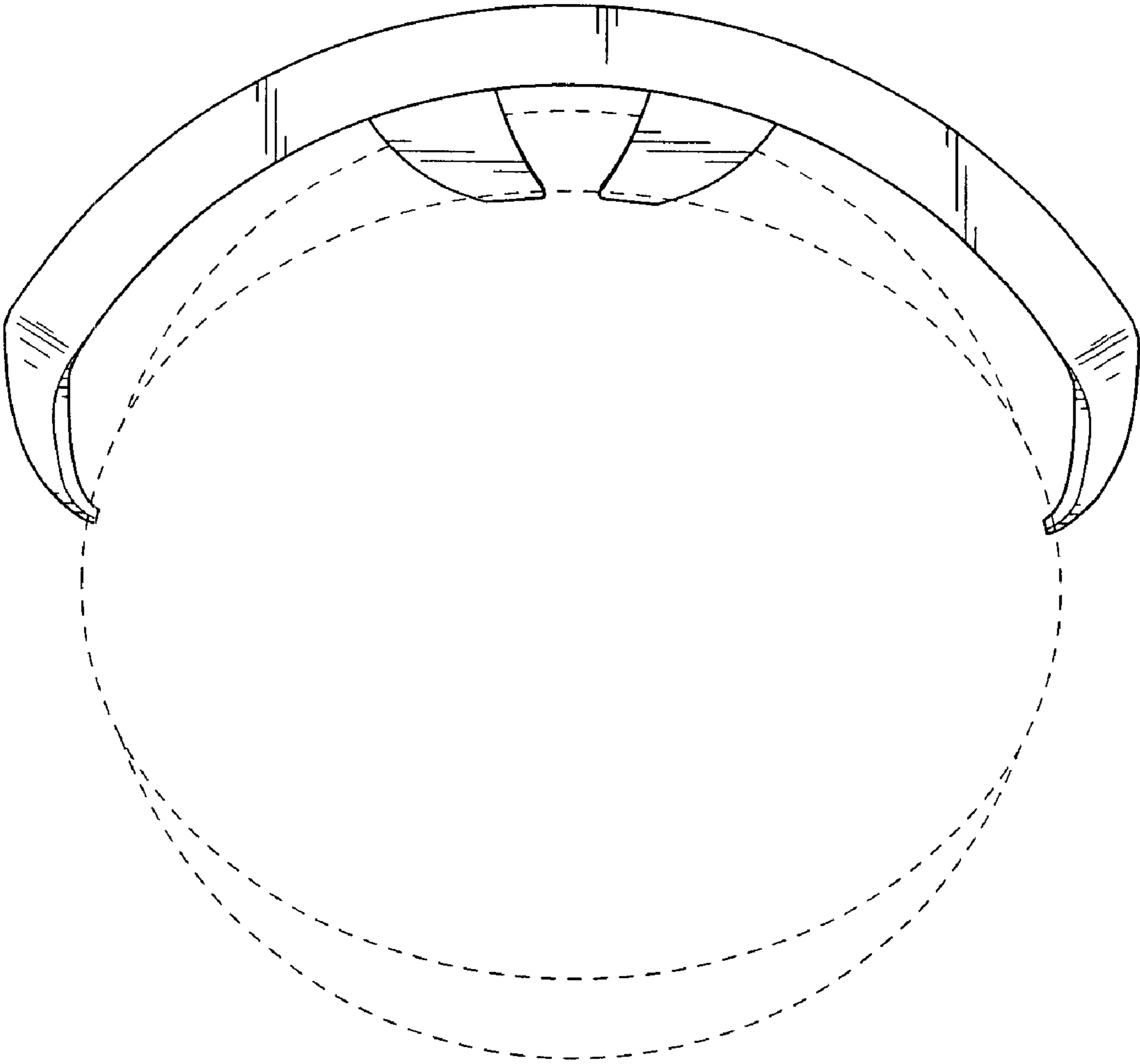
**FIG. 2**



**FIG. 3**



**FIG. 4**



**FIG. 5**

UNITED STATES PATENT AND TRADEMARK OFFICE  
**CERTIFICATE OF CORRECTION**

PATENT NO. : Des. 533,375 S  
APPLICATION NO. : 29/214680  
DATED : December 12, 2006  
INVENTOR(S) : Muller

Page 1 of 7

It is certified that error appears in the above-identified patent and that said Letters Patent is hereby corrected as shown below:

Delete Title page illustrating a figure, and substitute therefor, new Title page illustrating a figure. (attached)

Delete drawing sheets 1-5, and substitute therefor drawing sheets 1-5. (attached0

Signed and Sealed this

Third Day of April, 2007

A handwritten signature in black ink on a light gray dotted background. The signature reads "Jon W. Dudas" in a cursive style.

JON W. DUDAS

*Director of the United States Patent and Trademark Office*

(12) **United States Design Patent** (10) Patent No.: **US D533,375 S**  
**Muller** (45) Date of Patent: **\*\* Dec. 12, 2006**

(54) SEAT FRAME

D489,911 S 5/2004 Muller ..... D6/360  
 D582,330 S \* 3/2005 Petruccioli ..... D6/360

(75) Inventor: Carl A. Muller, Huntington Beach, CA (US)

**OTHER PUBLICATIONS**

(73) Assignee: Elite Manufacturing Corporation, Santa Fe Springs, CA (US)

Michael Wolk, "5005-29 Barstool" for Design Institute America, 1-page (2002).  
 Shin and Tomoko Azumi, "LEM Barstool," manufactured by Lapalma, 1-page (2000).  
 Muller, "Seat Frame," pending U.S. Appl. No. 29/204,732, filed May 3, 2004.  
 Muller, "Seat Frame," pending U.S. Appl. No. 29/204,229, filed Apr. 27, 2004.  
 Muller, "Seat Frame," pending U.S. Appl. No. 29/214,890, filed Oct. 8, 2004.

(\*\*) Term: 14 Years

(21) Appl. No.: 29/214,680

(22) Filed: Oct. 7, 2004

(51) LOC (8) Cl. .... 06-01

(52) U.S. Cl. .... D6/500; D6/360

(58) Field of Classification Search ..... D6/334-335, D6/360, 364, 365, 370, 372, 373, 374, 375, D6/379, 380, 500-502; 297/68, 423.1, 411.42, 297/411.44, 447.1, 447.2, 451.1, 451.3, 445.1, 297/344.19

See application file for complete search history.

\* cited by examiner

Primary Examiner—Mimosa De  
 (74) Attorney, Agent, or Firm—Heslin Rothenberg Farley & Mesiti P.C.

(56) **References Cited**

(57) **CLAIM**

The ornamental design for a seat frame, as shown and described.

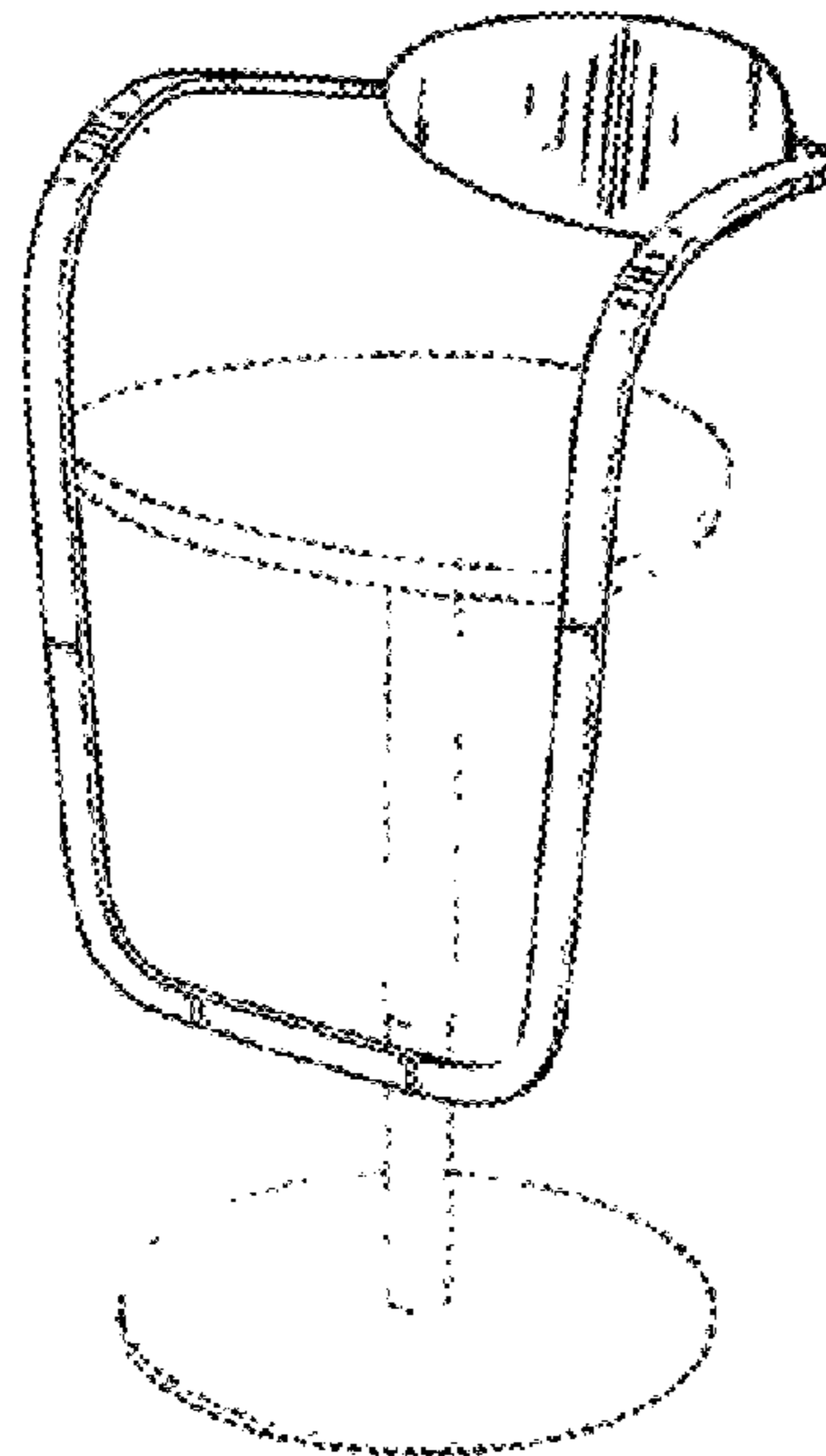
**U.S. PATENT DOCUMENTS**

**DESCRIPTION**

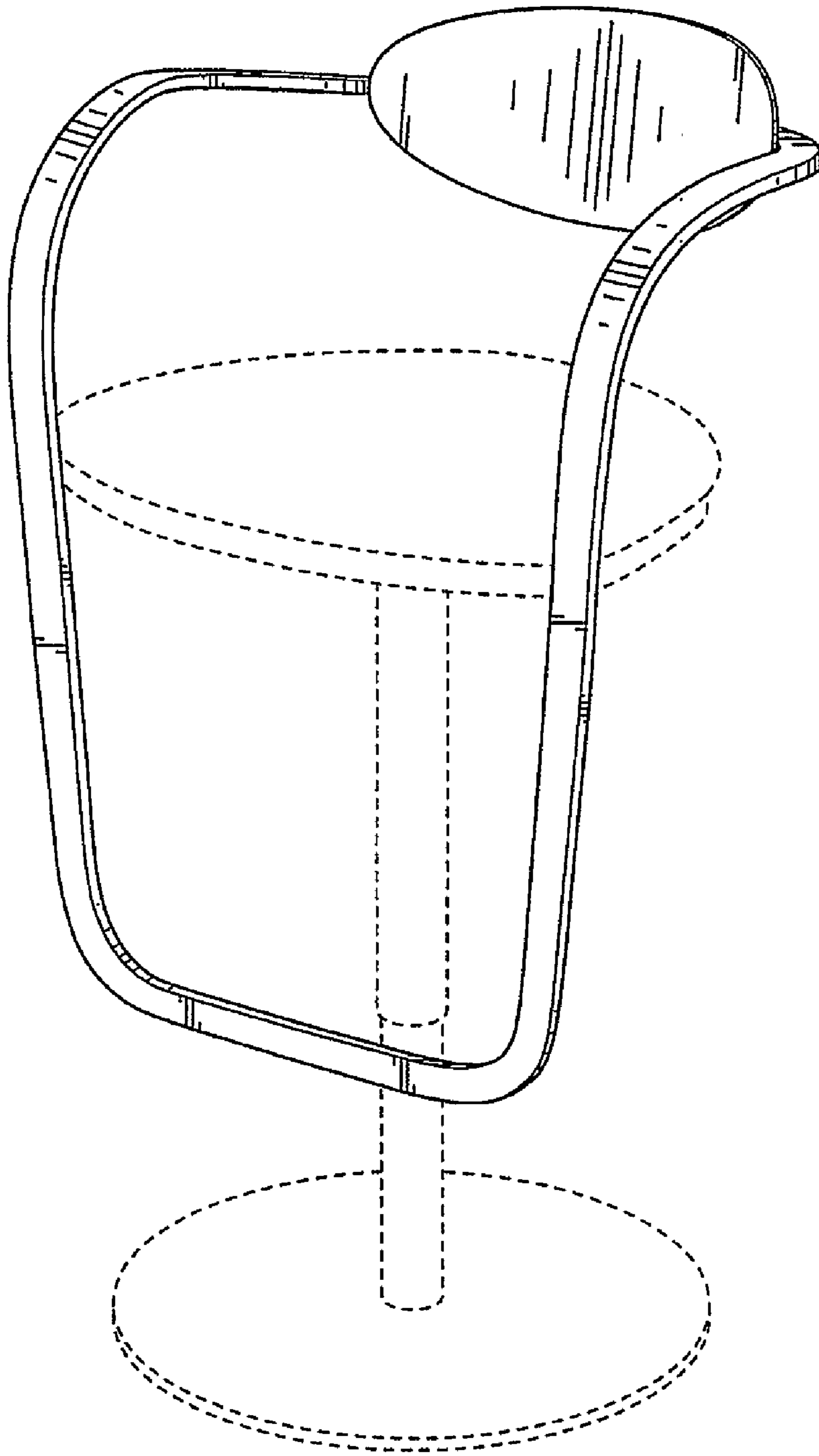
- D142,922 S \* 3/1948 Felscher ..... 297/411.44
- D181,213 S \* 10/1957 Lubberts ..... D6/374
- 2,919,746 A \* 1/1960 Fidel ..... 297/68
- D216,772 S \* 4/1968 Smith ..... D6/356
- D213,683 S \* 4/1969 Leistikow ..... D6/374
- D215,429 S \* 9/1969 Sickler ..... D6/360
- 3,891,270 A \* 6/1975 Crossman et al. .... 297/344.19
- D298,987 S \* 12/1988 Tiffany ..... D6/360
- D342,624 S \* 12/1993 Vegtherr ..... D6/380
- D360,539 S \* 7/1995 Cretcher ..... D6/379
- D365,694 S \* 1/1996 Lisborg ..... D6/360
- D421,351 S \* 3/2000 Tibany ..... D6/359
- D487,982 S \* 4/2004 Lee ..... D6/360
- D487,983 S 4/2004 Muller ..... D3/360

FIG. 1 is a perspective view of a seat frame in accordance with the new design;  
 FIG. 2 is a front elevational view thereof;  
 FIG. 3 is a left side elevational view thereof, a right side elevational view being a mirror image thereof;  
 FIG. 4 is a rear elevational view thereof; and,  
 FIG. 5 is a top view thereof.  
 The broken lines in the figures are for illustrative purposes only and form no part of the claimed invention.

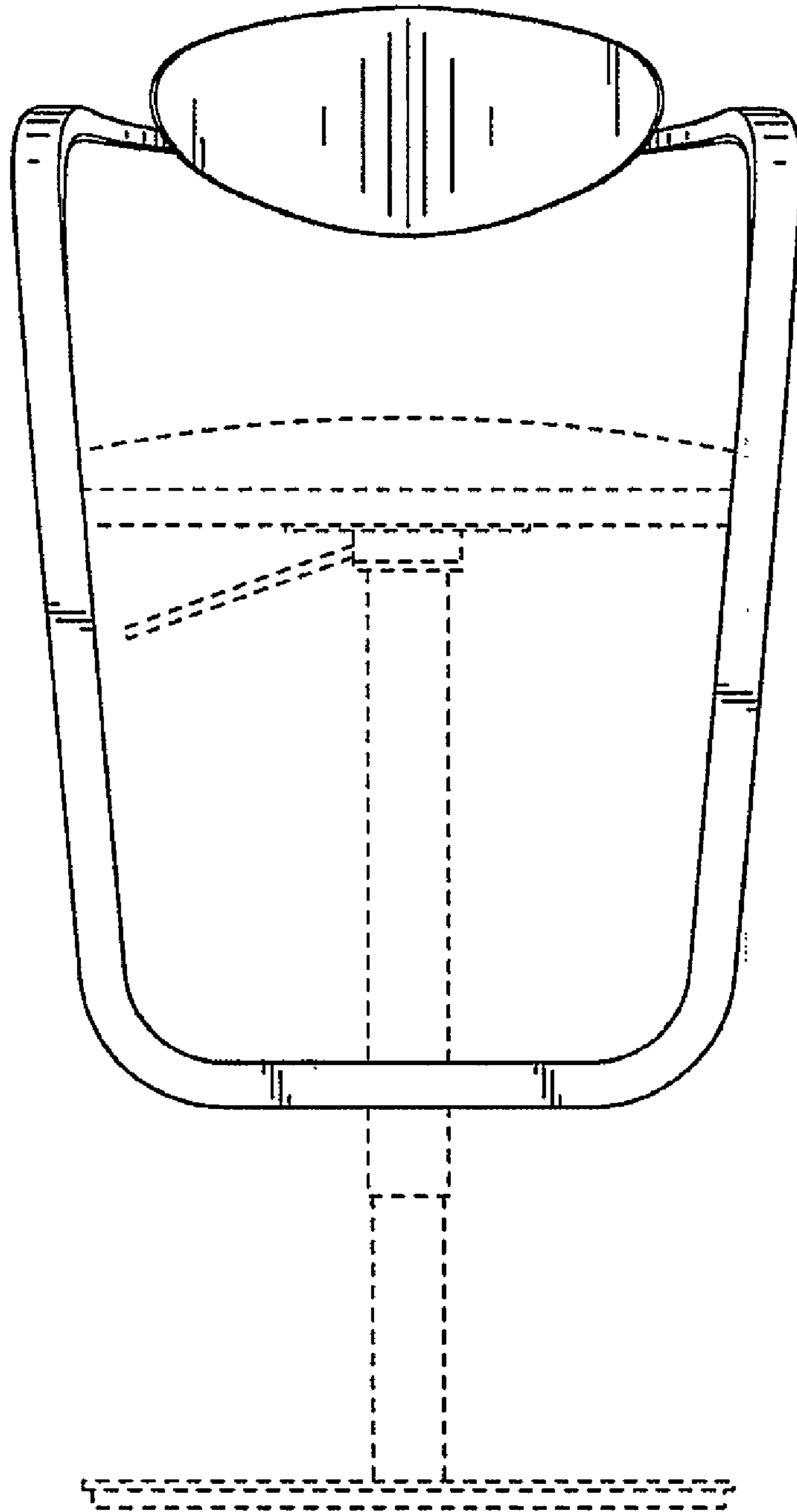
1 Claim, 5 Drawing Sheets



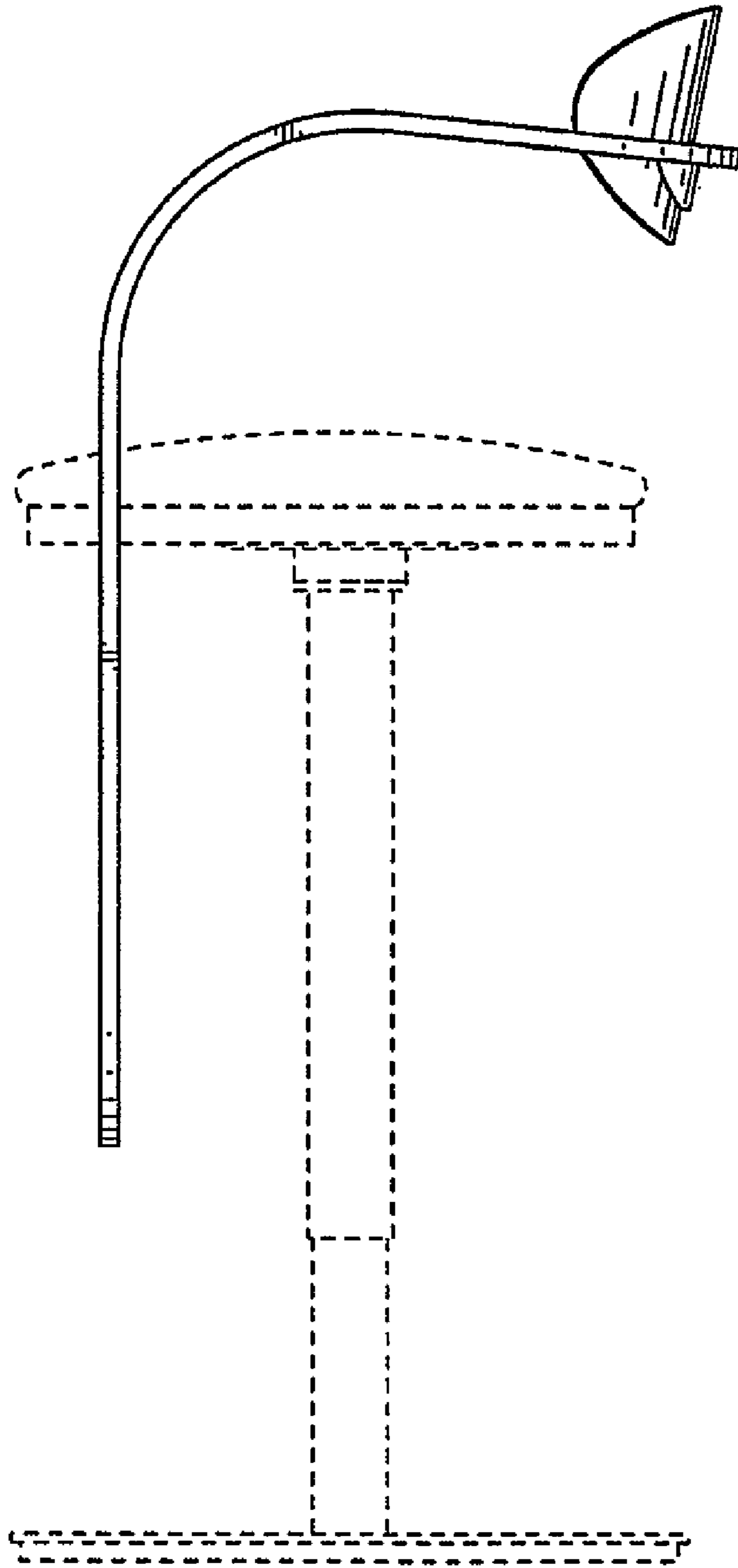




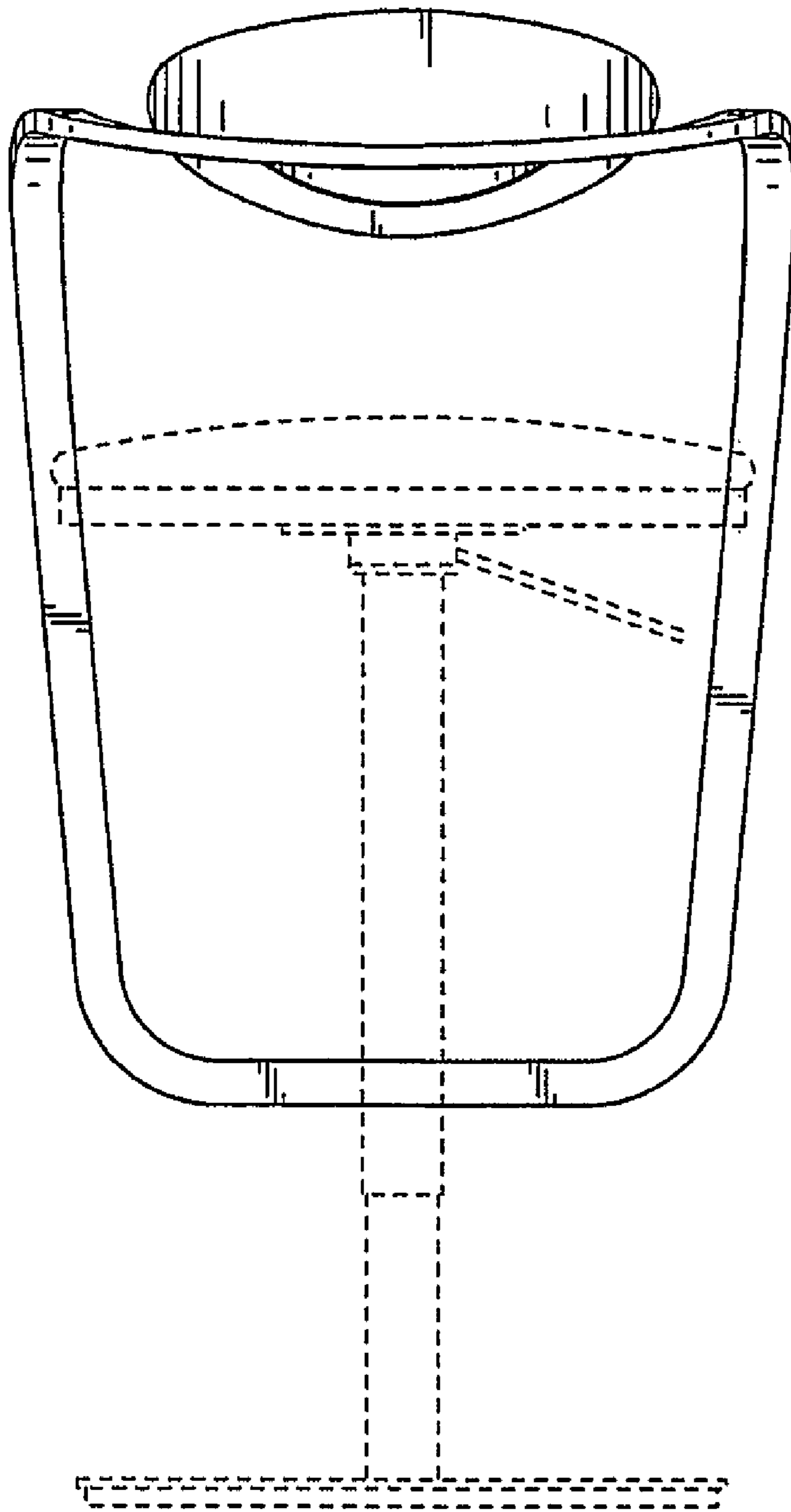
**FIG. 1**



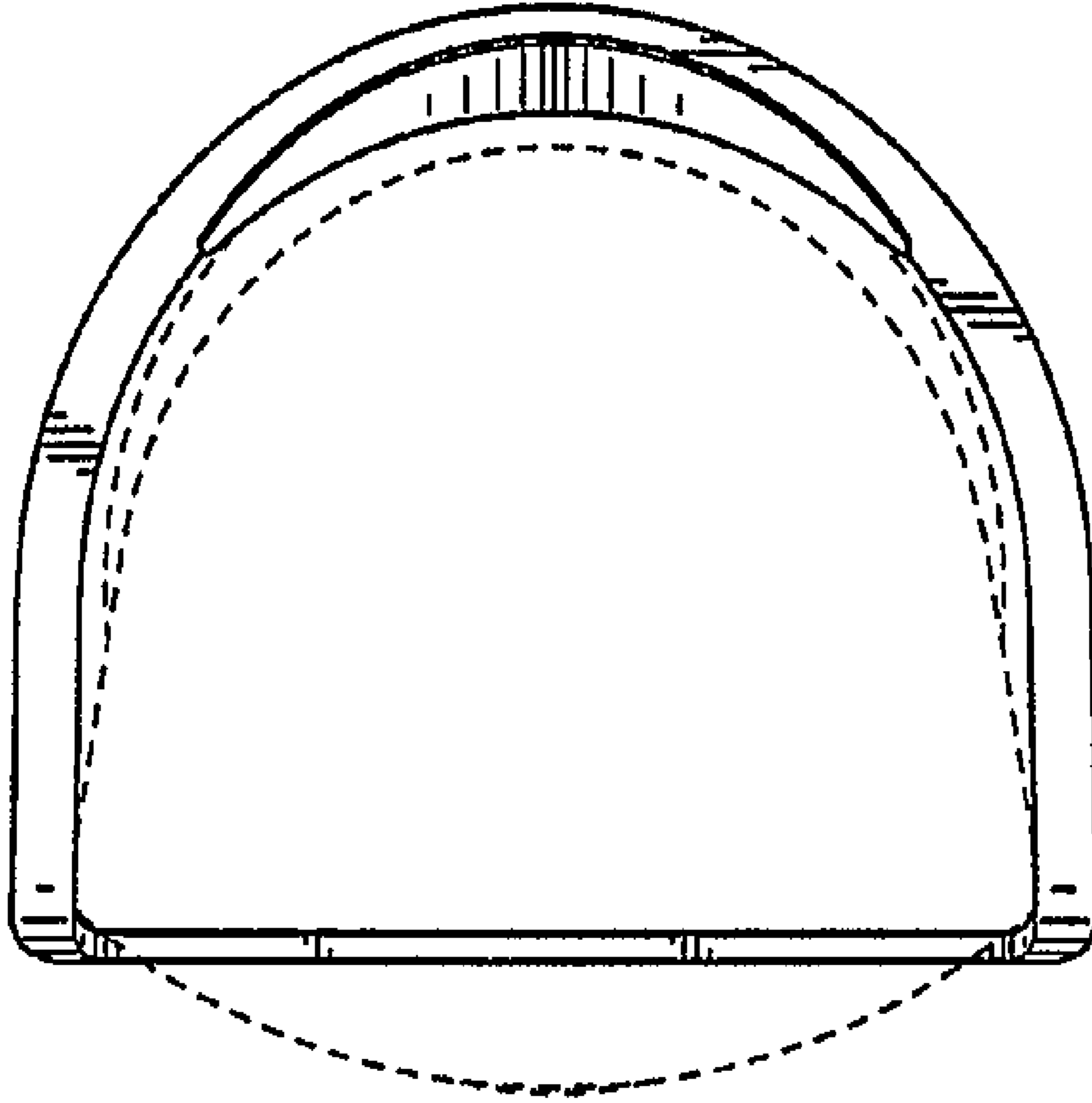
**FIG. 2**



**FIG. 3**



**FIG. 4**



**FIG. 5**