



US00D533373S

(12) **United States Design Patent**
Juneau

(10) **Patent No.:** **US D533,373 S**

(45) **Date of Patent:** **** Dec. 12, 2006**

(54) **FURNITURE UNIT**

(75) Inventor: **Alain Juneau**, St-Jean-Chrysostome
(CA)

(73) Assignee: **Baronet, Inc.** (CA)

(**) Term: **14 Years**

(21) Appl. No.: **29/213,966**

(22) Filed: **Sep. 24, 2004**

(51) **LOC (8) Cl.** **06-03**

(52) **U.S. Cl.** **D6/479; D6/480**

(58) **Field of Classification Search** D6/480-489,
D6/495, 450, 451, 474, 477-479, 436; 108/153.1,
108/155, 156, 161, 155.7; 248/188, 188.1,
248/188.8

See application file for complete search history.

(56) **References Cited**

U.S. PATENT DOCUMENTS

D234,894 S * 4/1975 Vandenbauck D6/479

D384,227 S * 9/1997 Grosfillex D6/479
D405,630 S * 2/1999 Wohlford D6/479
D491,386 S * 6/2004 Sexton D6/479

* cited by examiner

Primary Examiner—Janice E. Seeger

(74) *Attorney, Agent, or Firm*—SAIDMAN DesignLaw
Group

(57) **CLAIM**

The ornamental design for furniture unit, as shown and
described.

DESCRIPTION

FIG. 1 is a perspective view of furniture unit showing my
new design;

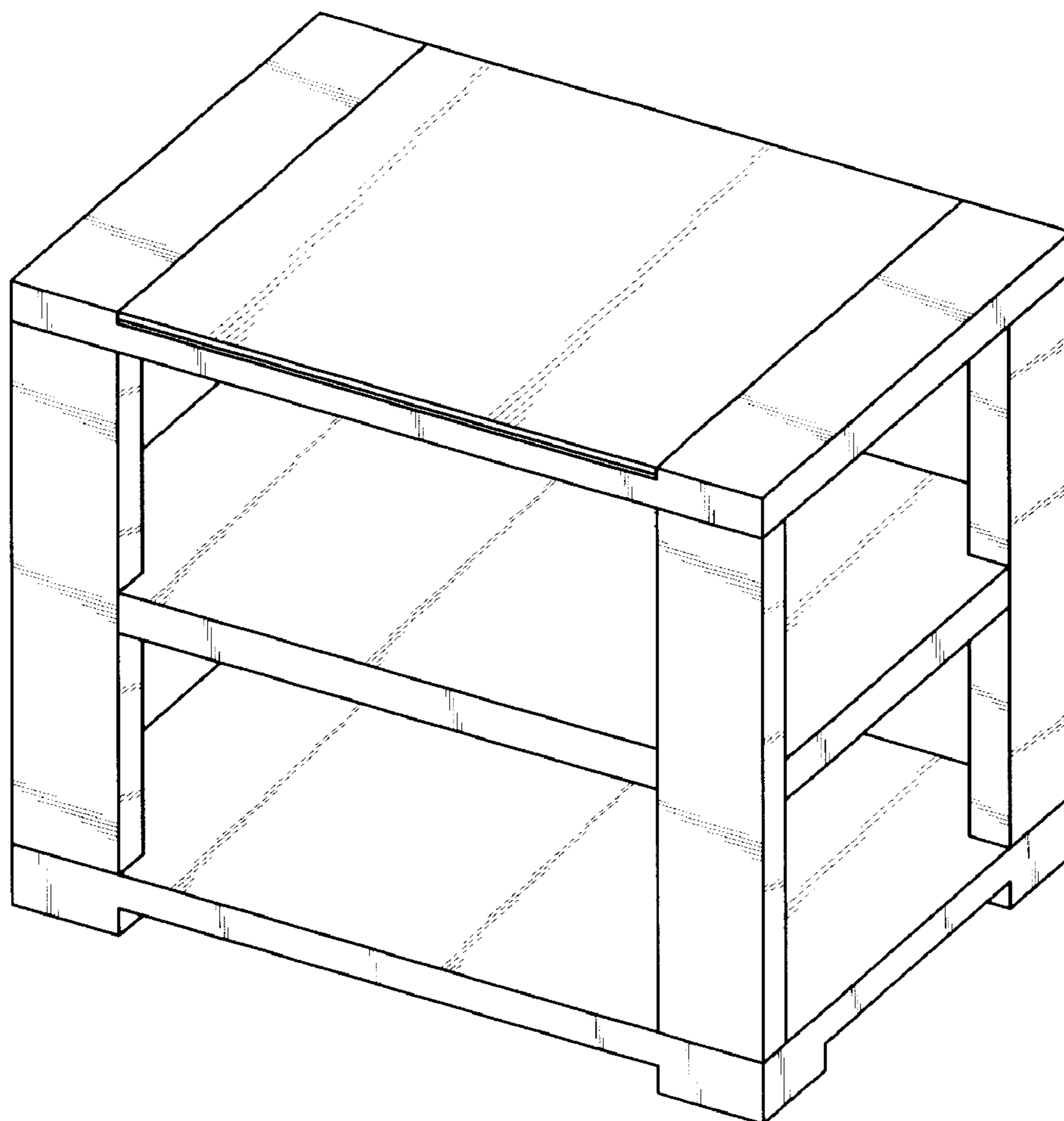
FIG. 2 is a back view thereof;

FIG. 3 is a front view thereof;

FIG. 4 is a right-side view thereof, the left-side view being
a mirror image; and,

FIG. 5 is a top view thereof.

1 Claim, 5 Drawing Sheets



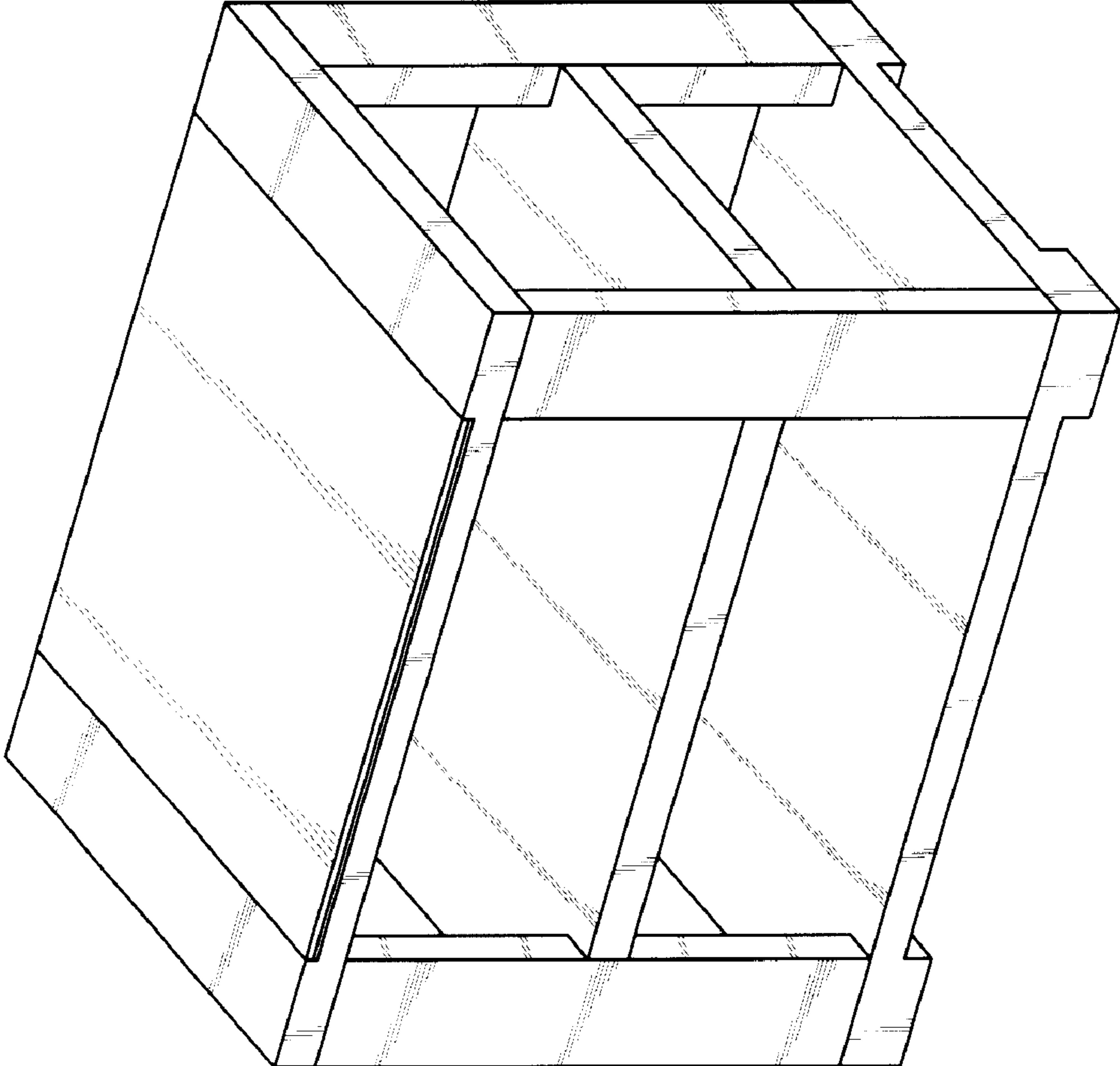


Fig. 1

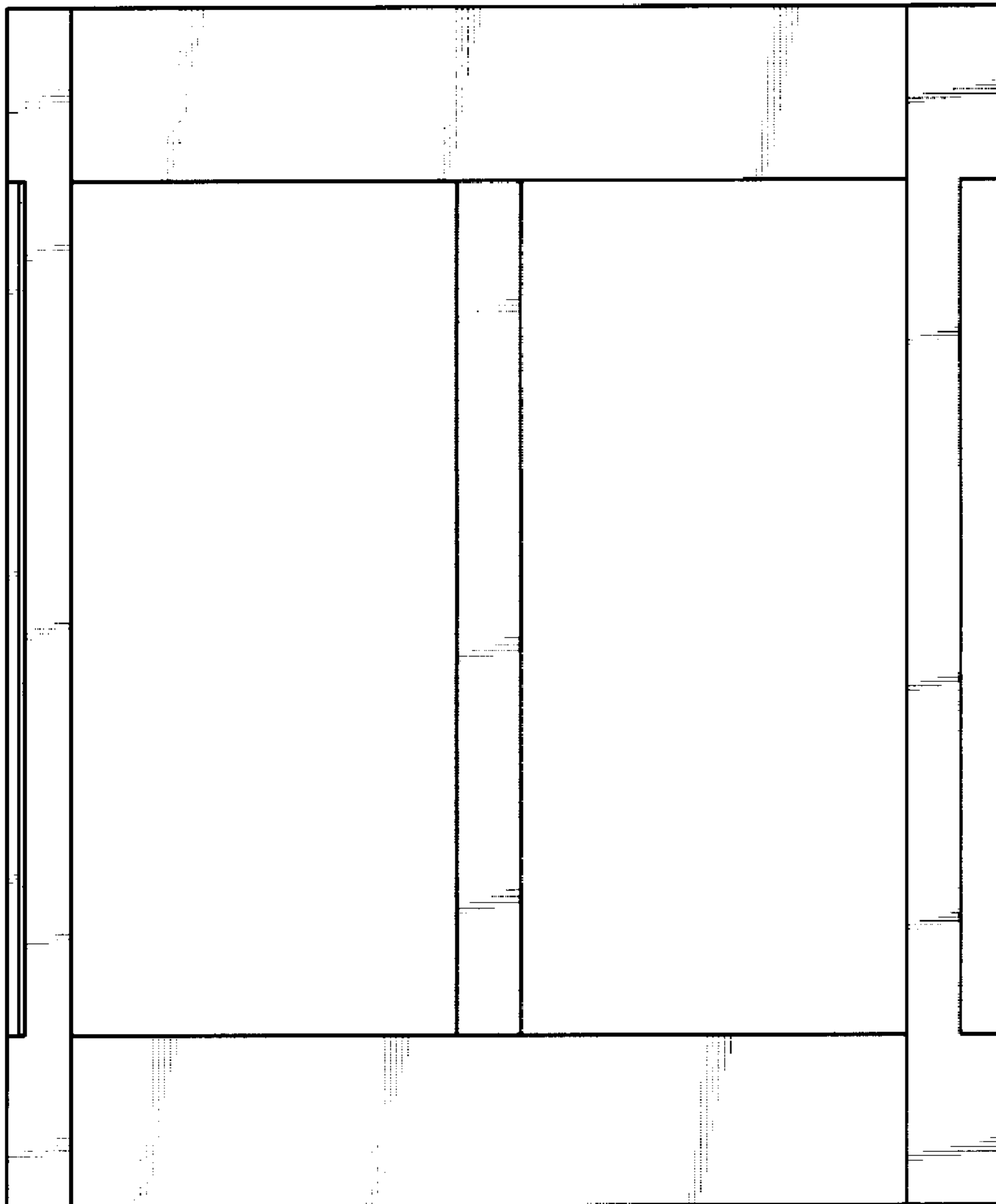


Fig. 2

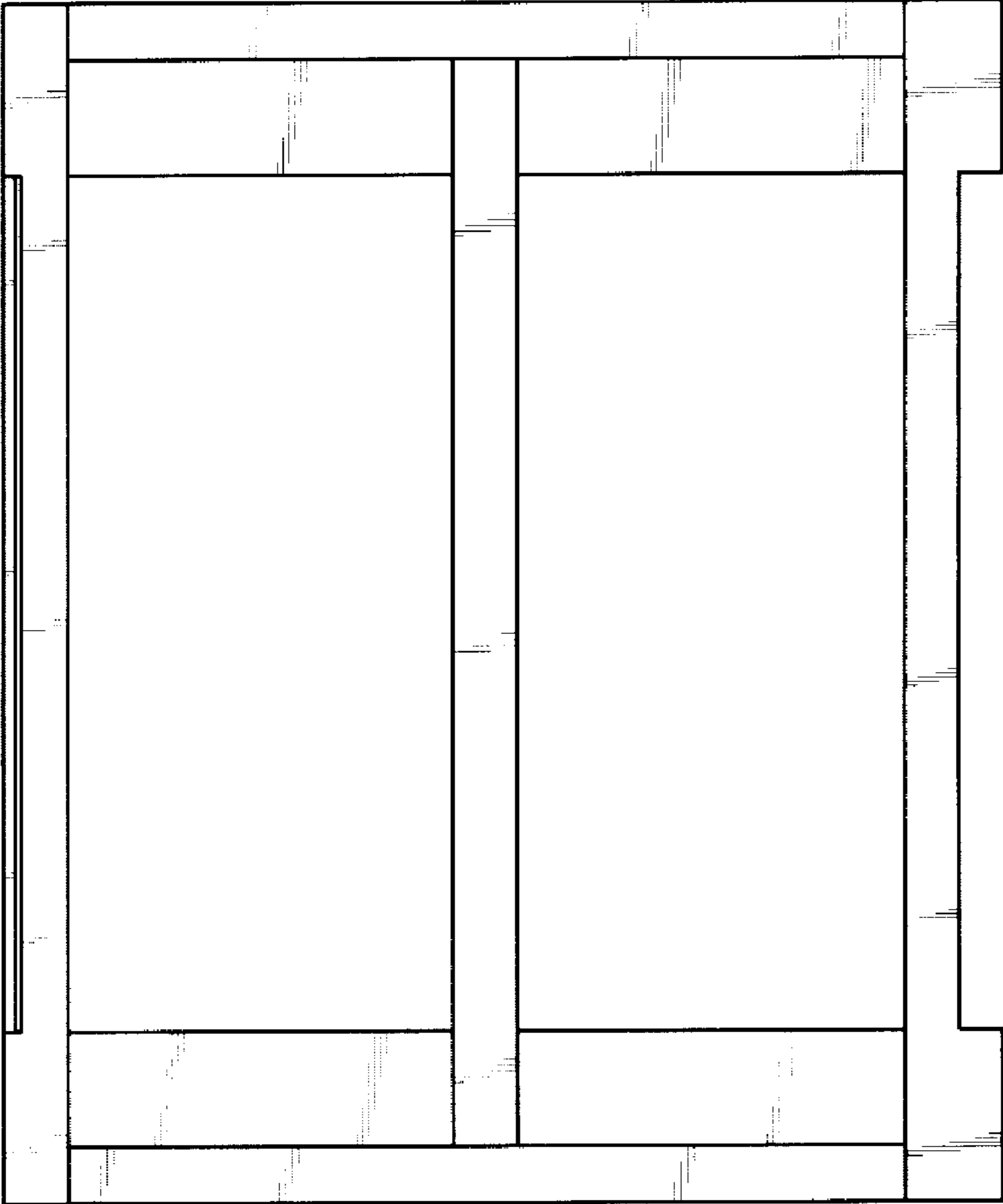


Fig. 3

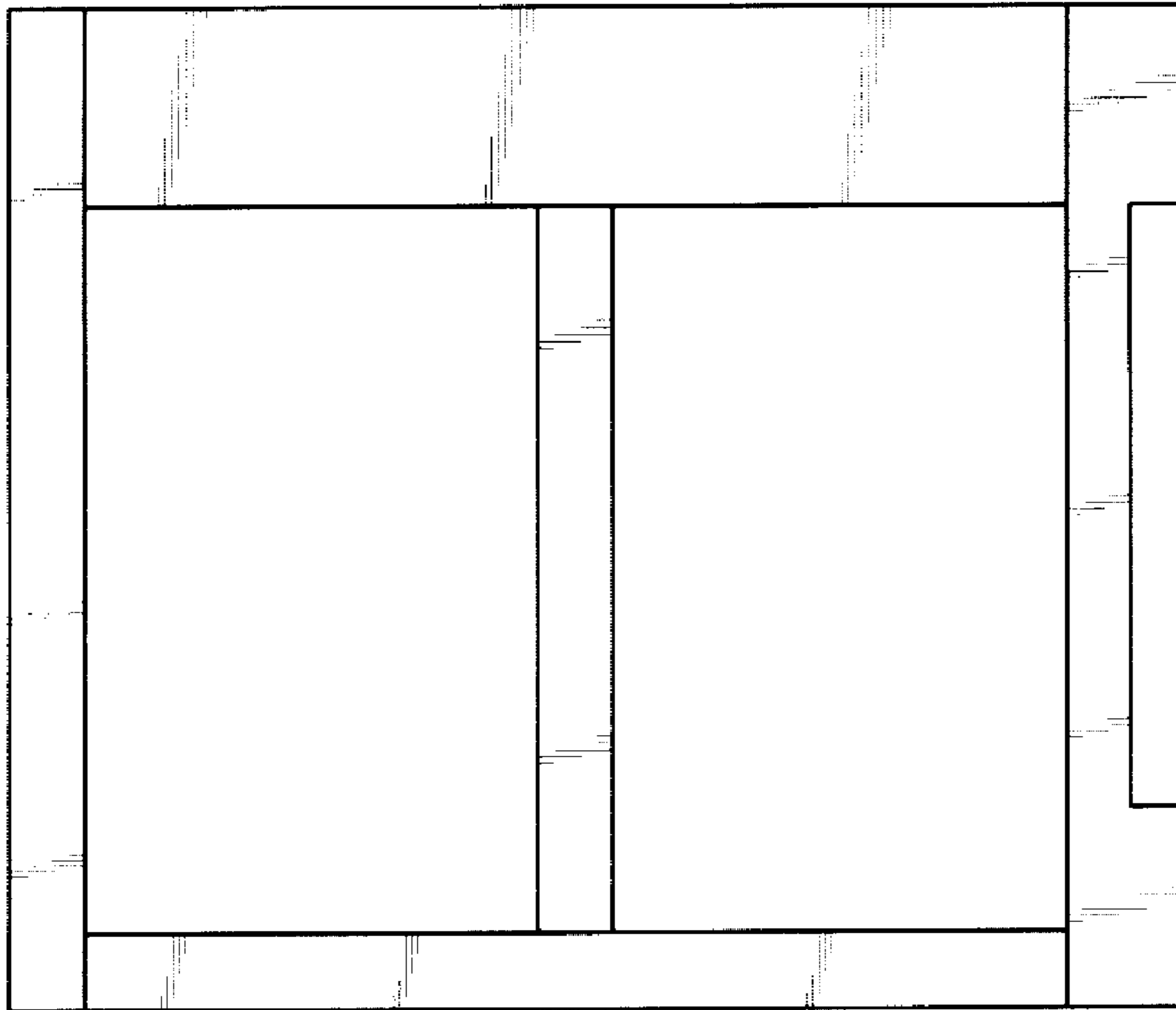


Fig. 4

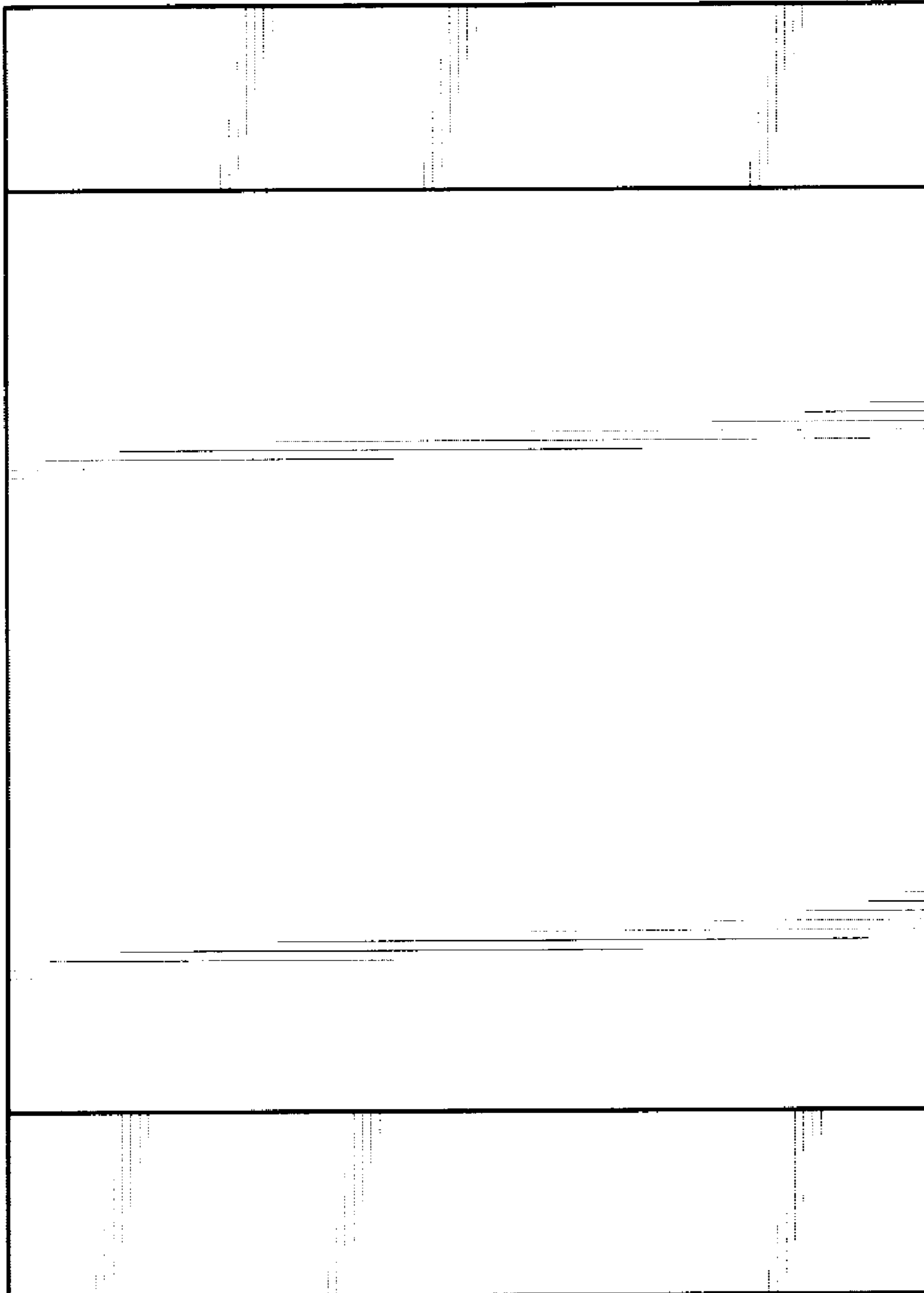


Fig. 5