



US00D533365S

(12) **United States Design Patent** (10) **Patent No.:** **US D533,365 S**
Martin (45) **Date of Patent:** **** Dec. 12, 2006**

(54) **CHAIR**

(75) Inventor: **Michael V. Martin**, Reidsville, NC (US)

(73) Assignee: **Steelcase Development Corporation**, Grand Rapids, MI (US)

(**) Term: **14 Years**

(21) Appl. No.: **29/206,204**

(22) Filed: **May 27, 2004**

(51) **LOC (8) Cl.** **06-01**

(52) **U.S. Cl.** **D6/334**

(58) **Field of Classification Search** D6/334-337, D6/349, 369, 381, 382, 384, 390, 391, 374, D6/500-502, 373; 297/232-233, 240, 242, 297/244-245, 445.1, 446.1, 451.9, 452.11, 297/452.12; 5/12.1

See application file for complete search history.

(56) **References Cited**

U.S. PATENT DOCUMENTS

571,000	A	*	11/1896	Jackson	297/117
4,188,066	A	*	2/1980	Terenzoni	297/440.23
D277,526	S	*	2/1985	White	D6/356
D427,448	S	*	7/2000	Natuzzi et al.	D6/381
D431,117	S	*	9/2000	Hutton	D6/334
D466,312	S	*	12/2002	Hutton	D6/334
D473,723	S	*	4/2003	Pesso	D6/334
D484,327	S	*	12/2003	Ricci	D6/381
D495,892	S	*	9/2004	Ricci	D6/381
D498,064	S	*	11/2004	Gomez	D6/334
D499,261	S	*	12/2004	Ricci	D6/381
D499,263	S	*	12/2004	Ricci	D6/381
D501,095	S	*	1/2005	Zydko Hoyas et al.	D6/335
D501,330	S	*	2/2005	Gomez	D6/334
D505,276	S	*	5/2005	Cronk et al.	D6/334
2004/0212228	A1	*	10/2004	Skelly et al.	297/217.3

OTHER PUBLICATIONS

Loewenstein catalist 14, p. 11, 261 Riccardo Lounge Chair, 262 Riccardo Love Seat, 263 Riccardo Three-Seat Sofa, Jun. 1, 1985, 1 pg.*

Design Within Reach catalog, p. 31, 905 Sofa, 1 pg.*

Cartwright Catalog, p. 16, Sofa #w2301-86 and chair #w2300, 1 pg.*

The Taylor Chair Company brochure, Lounge Seating, all shown on pp. 135-136, 2 pgs.*

AGI Industries, Inc. brochure, chairs located in lower left corner of each page, 2 pgs.*

* cited by examiner

Primary Examiner—Sandra S. Snapp

(74) *Attorney, Agent, or Firm*—Quarles & Brady LLP

(57) **CLAIM**

The ornamental design for a chair, as shown and described.

DESCRIPTION

FIG. 1 is a top, front, right perspective view of a first embodiment of a chair embodying my new design;

FIG. 2 is a right side elevational view thereof, the left side elevational view being a mirror image thereof;

FIG. 3 is a front elevational view thereof;

FIG. 4 is a top plan view thereof;

FIG. 5 is a rear elevational view thereof;

FIG. 6 is a bottom view thereof;

FIG. 7 is a top, front, right perspective view of a second embodiment of a chair embodying my new design, the right side elevational view being identical to that shown in FIG. 2 and the left side elevational view being a mirror image of that shown in FIG. 2;

FIG. 8 is a front elevational view thereof;

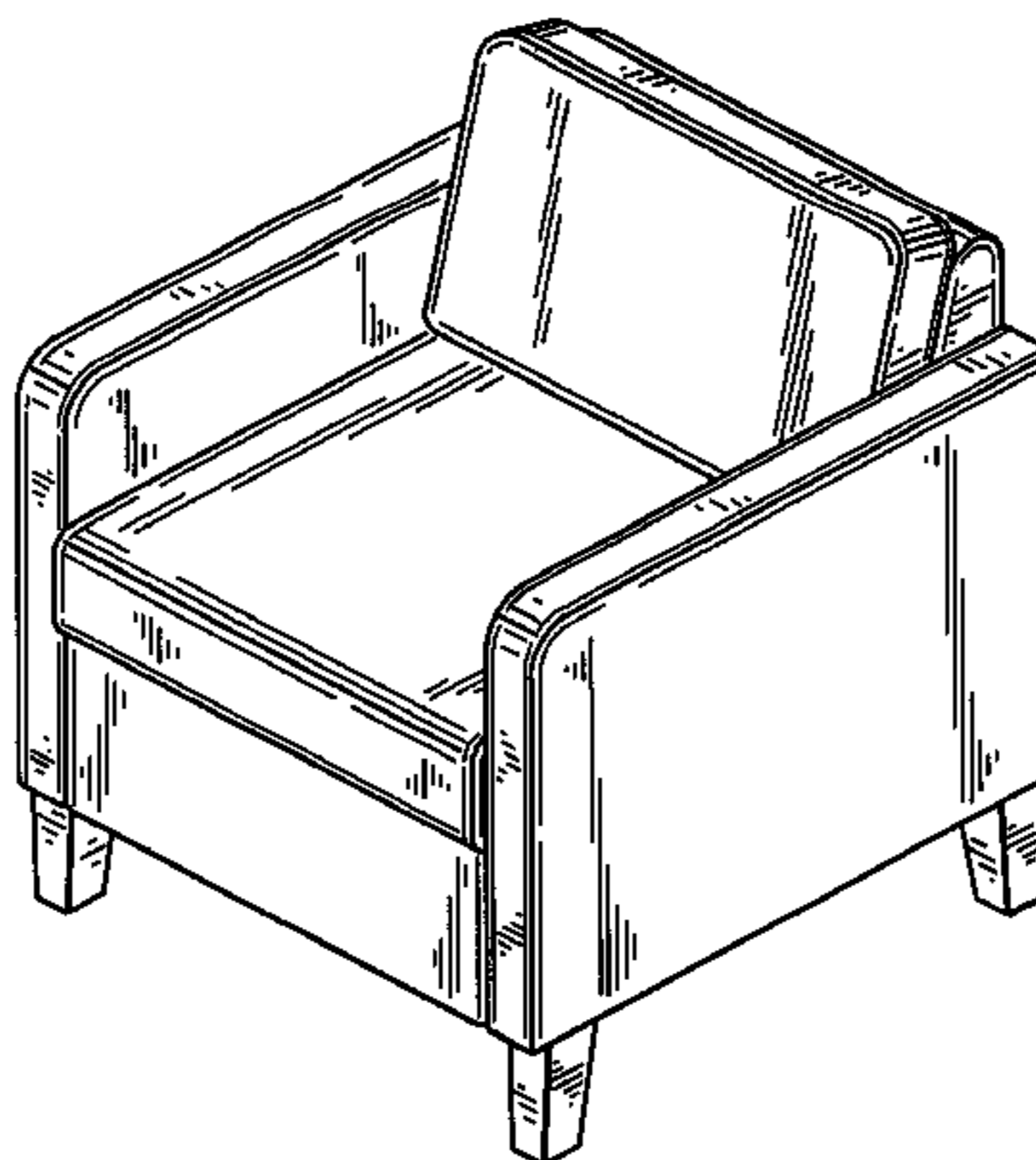
FIG. 9 is a top plan view thereof;

FIG. 10 is a rear elevational view thereof; and,

FIG. 11 is a bottom view thereof.

The broken away portions shown in FIGS. 7-11 represent indeterminate width of the claimed design.

1 Claim, 4 Drawing Sheets



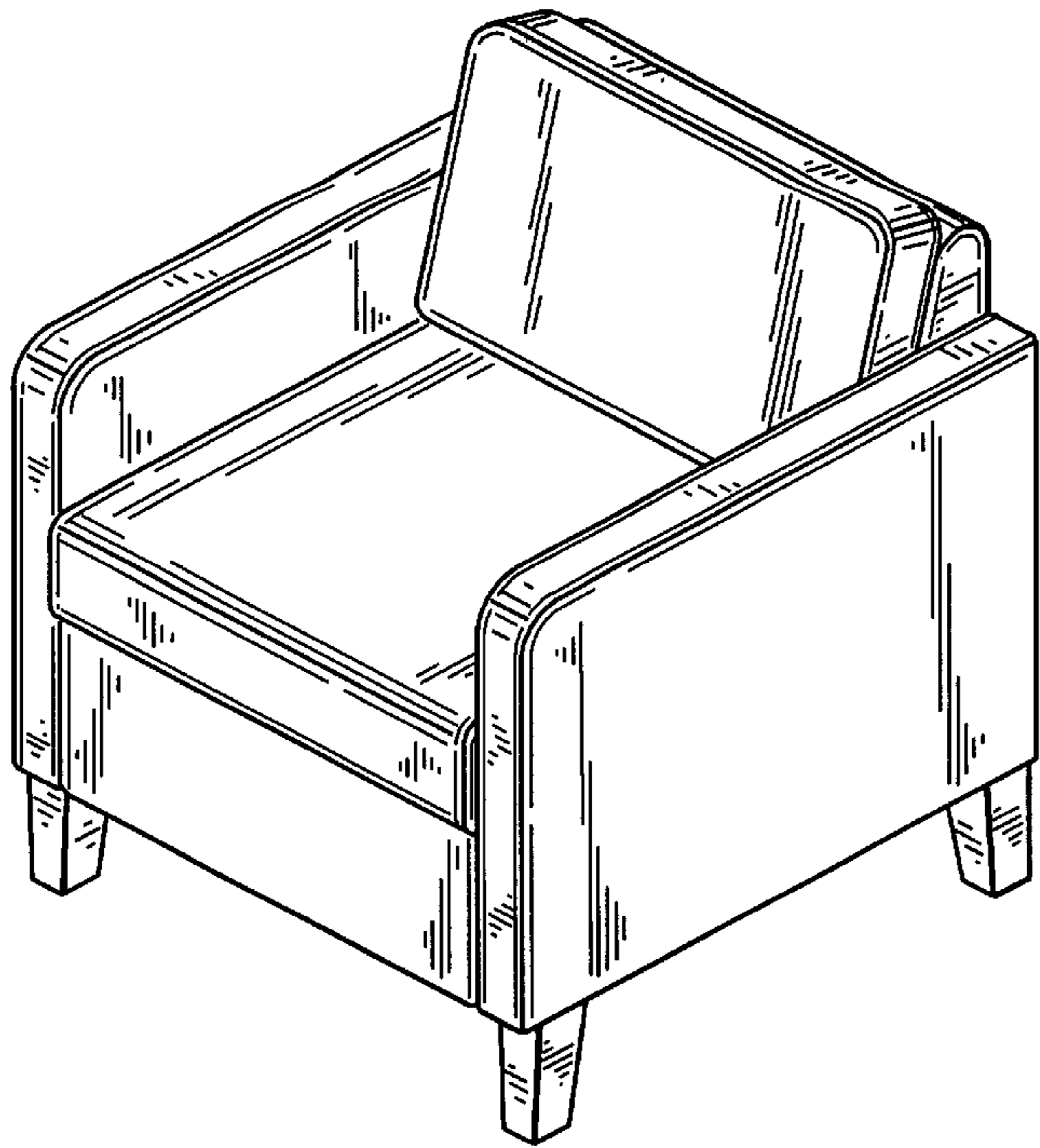


FIG. 1

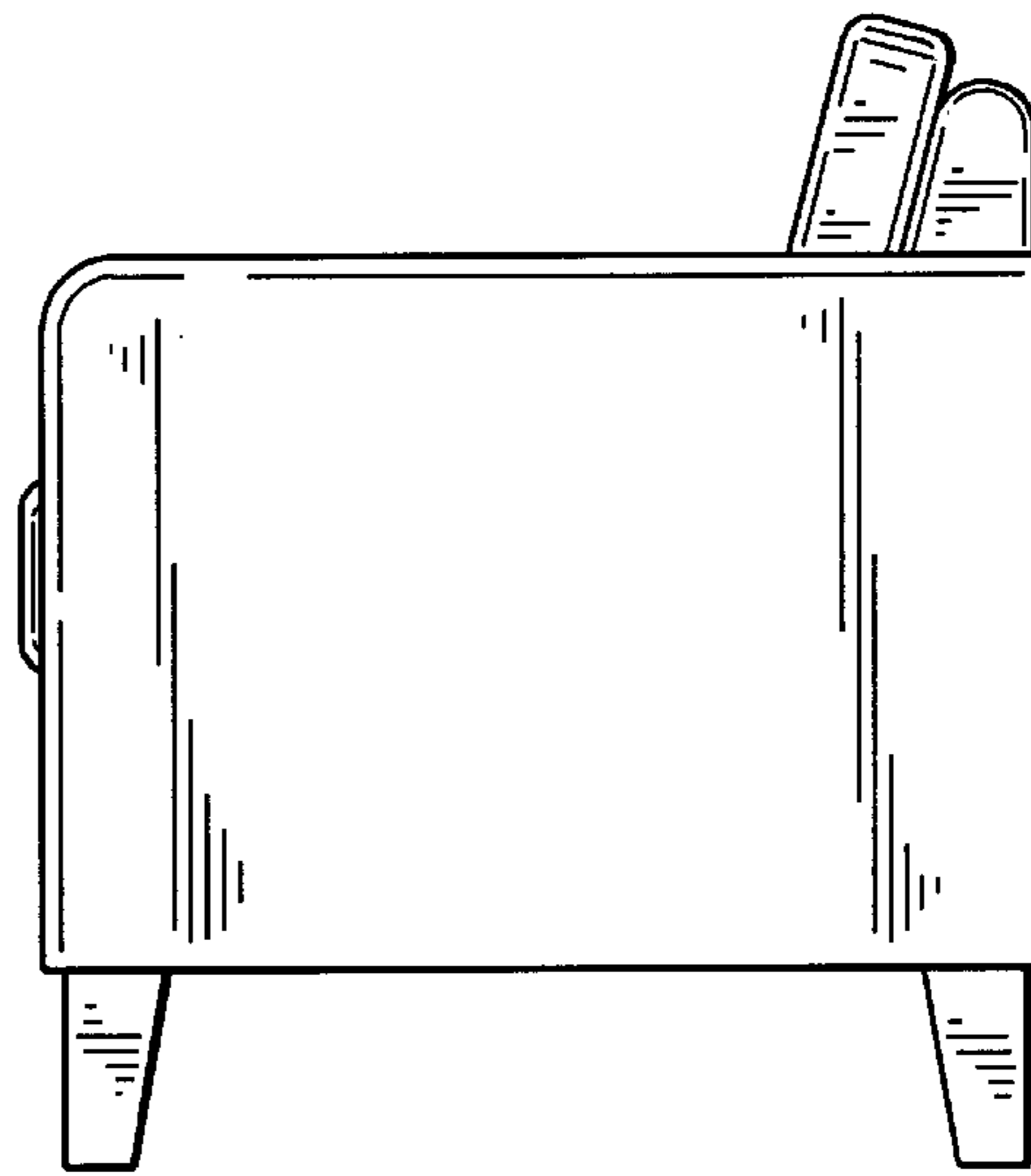


FIG. 2

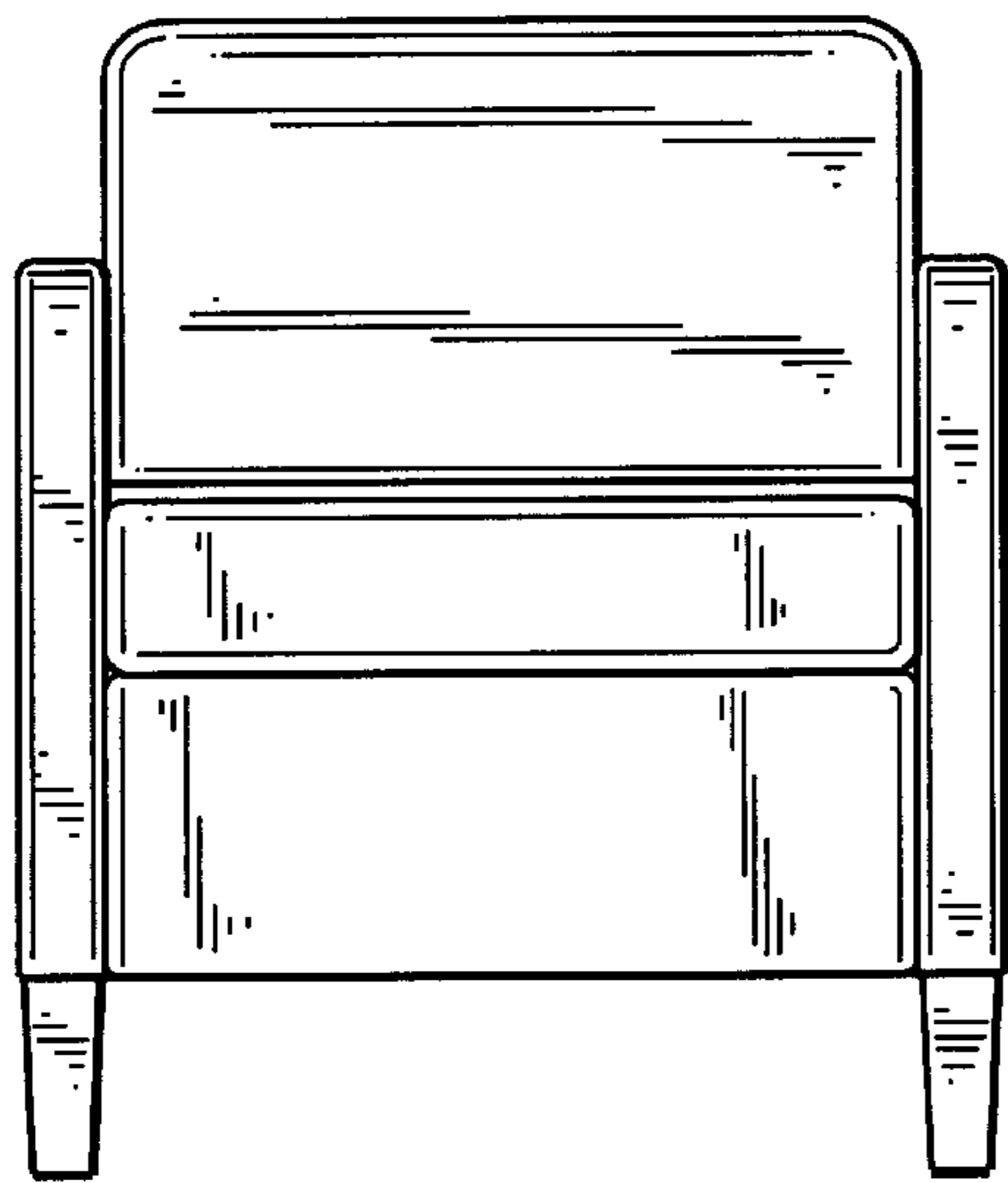


FIG. 3

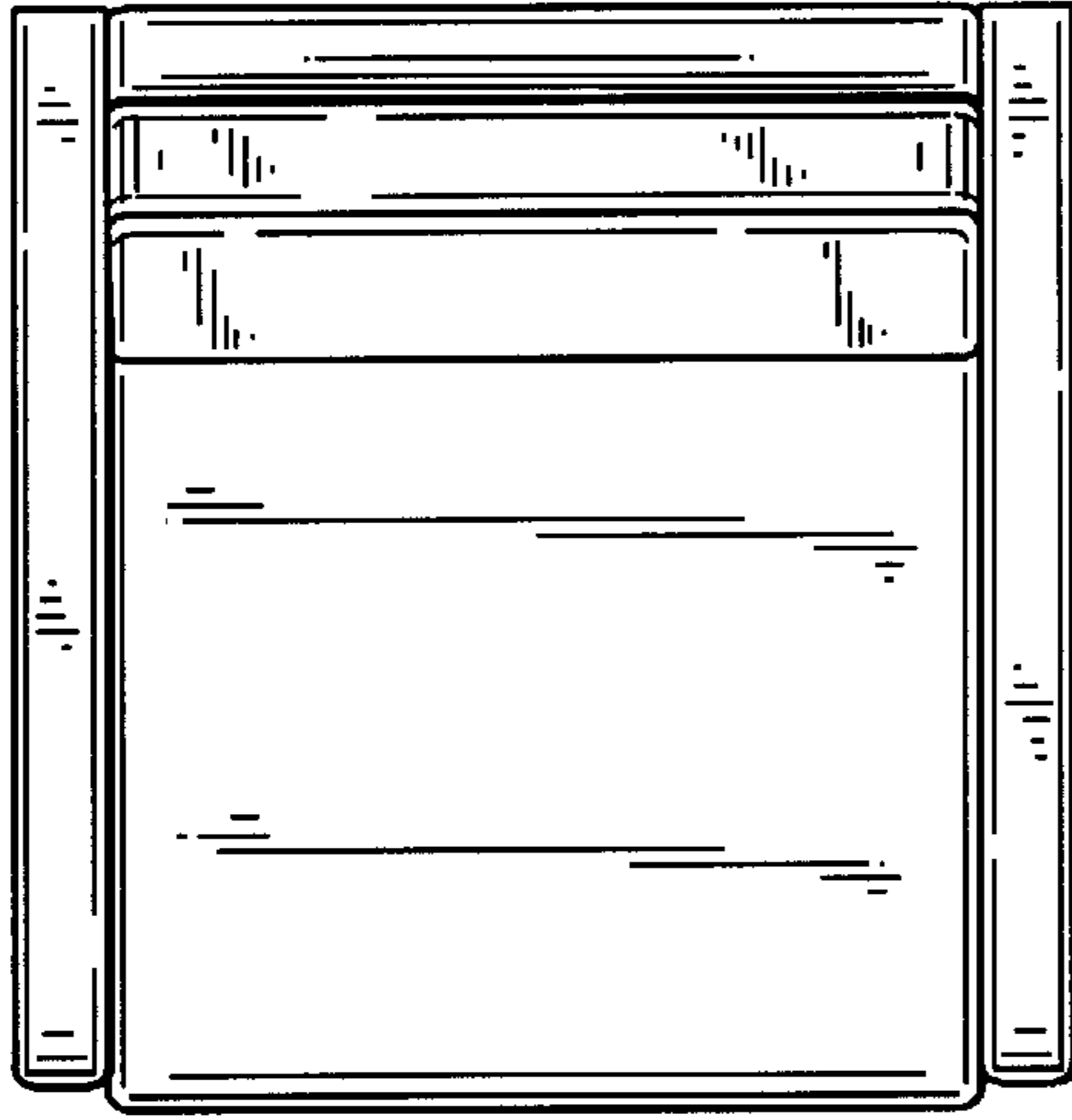


FIG. 4

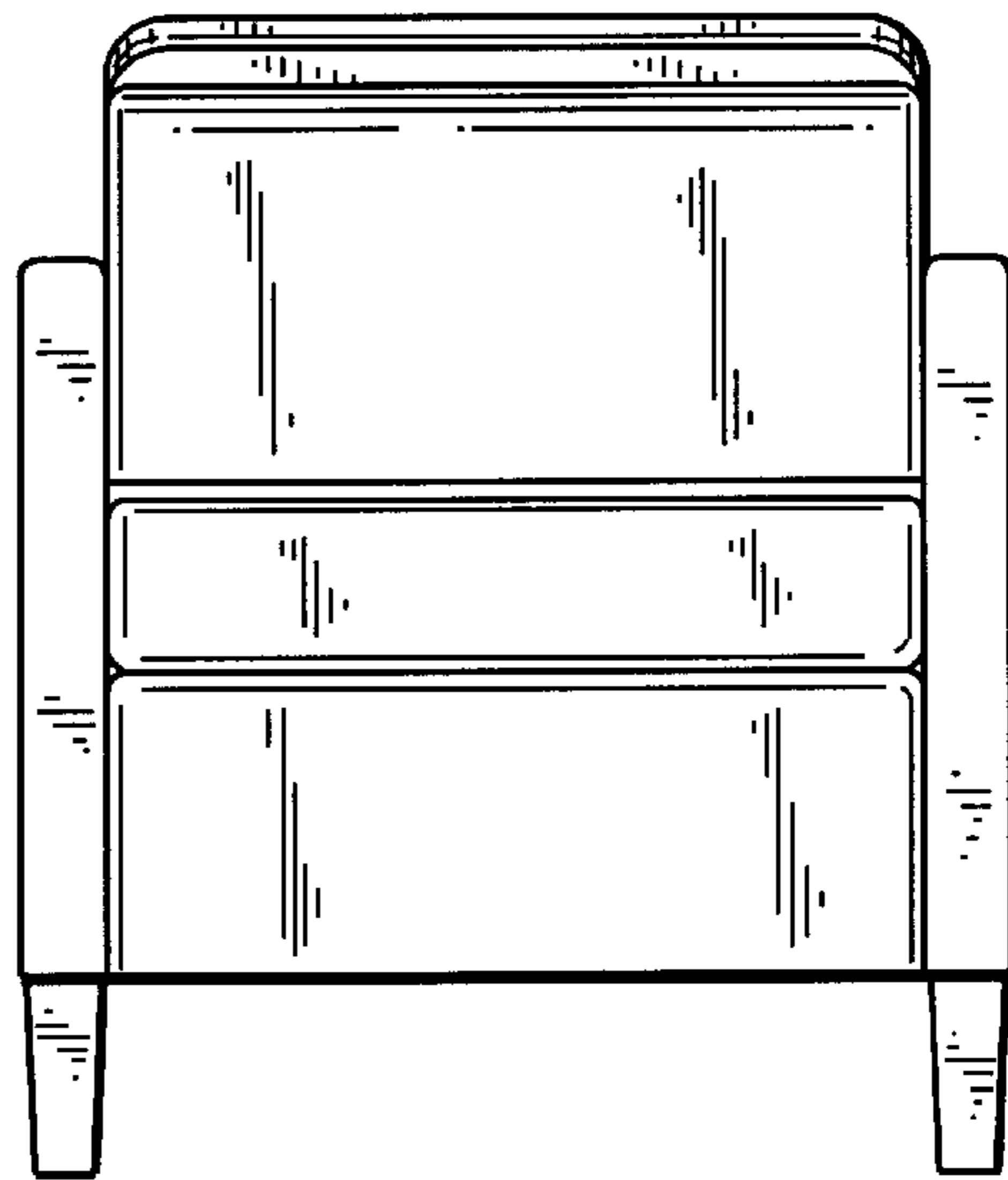


FIG. 5

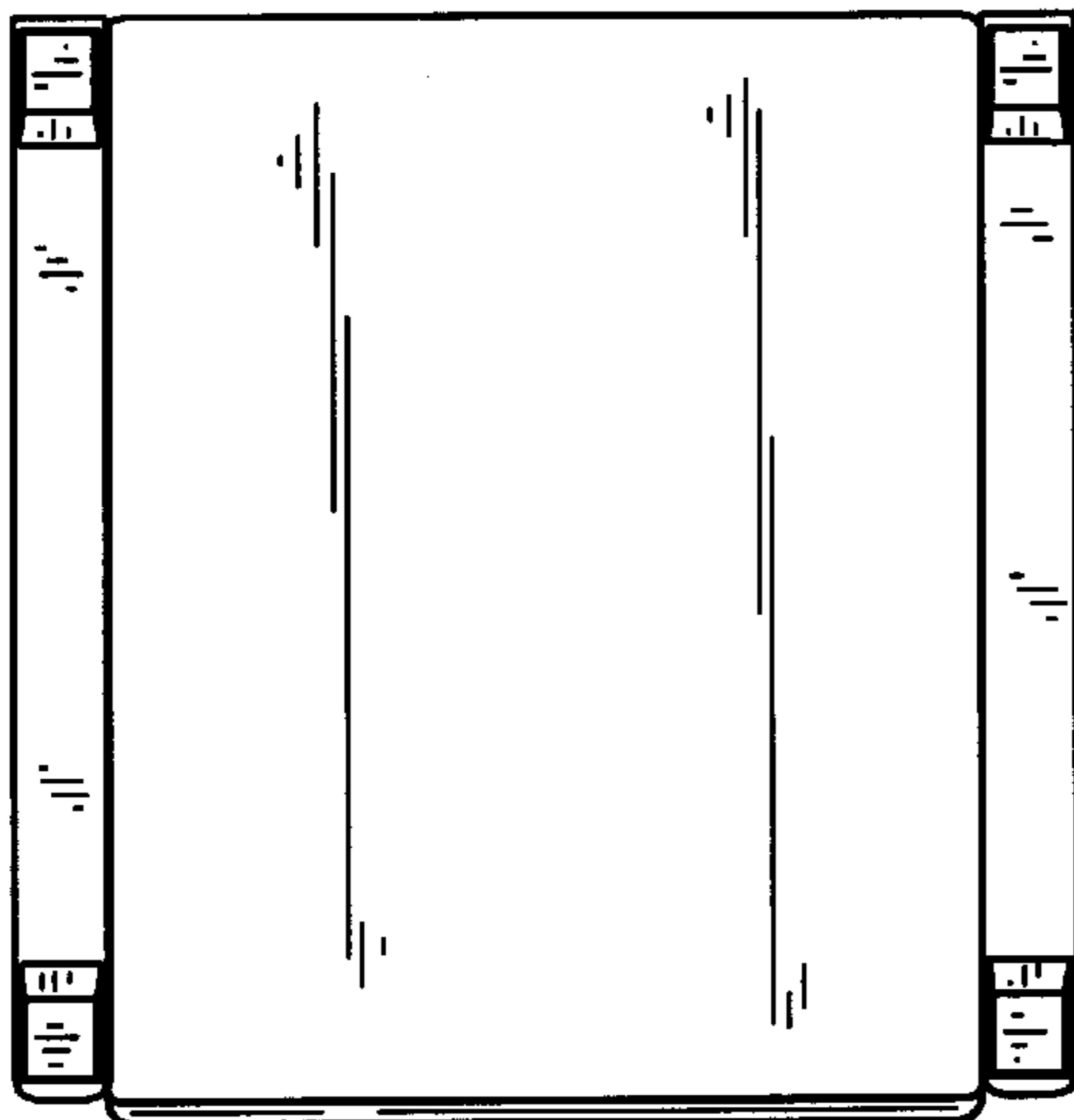


FIG. 6

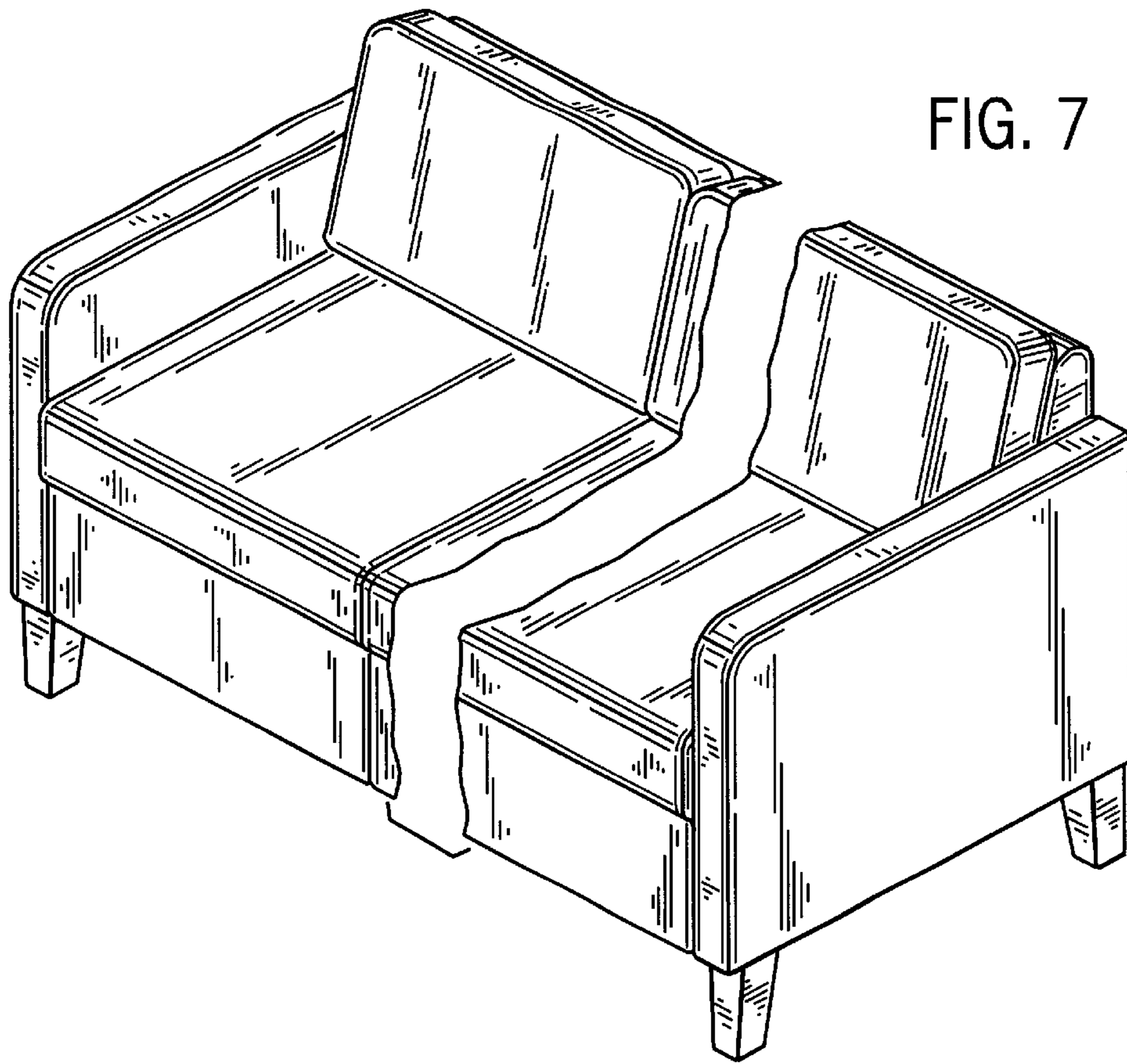


FIG. 7

FIG. 8

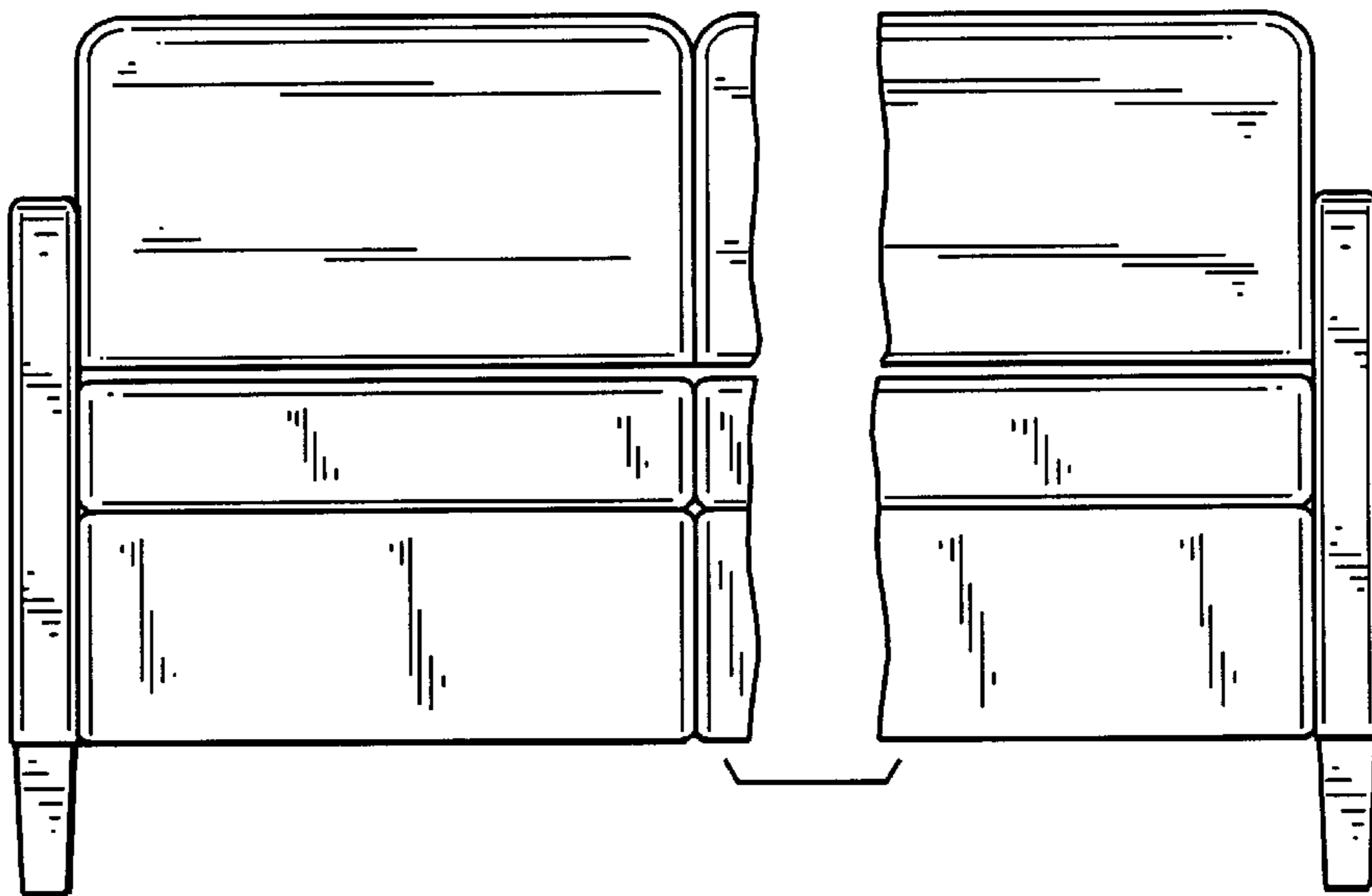


FIG. 9

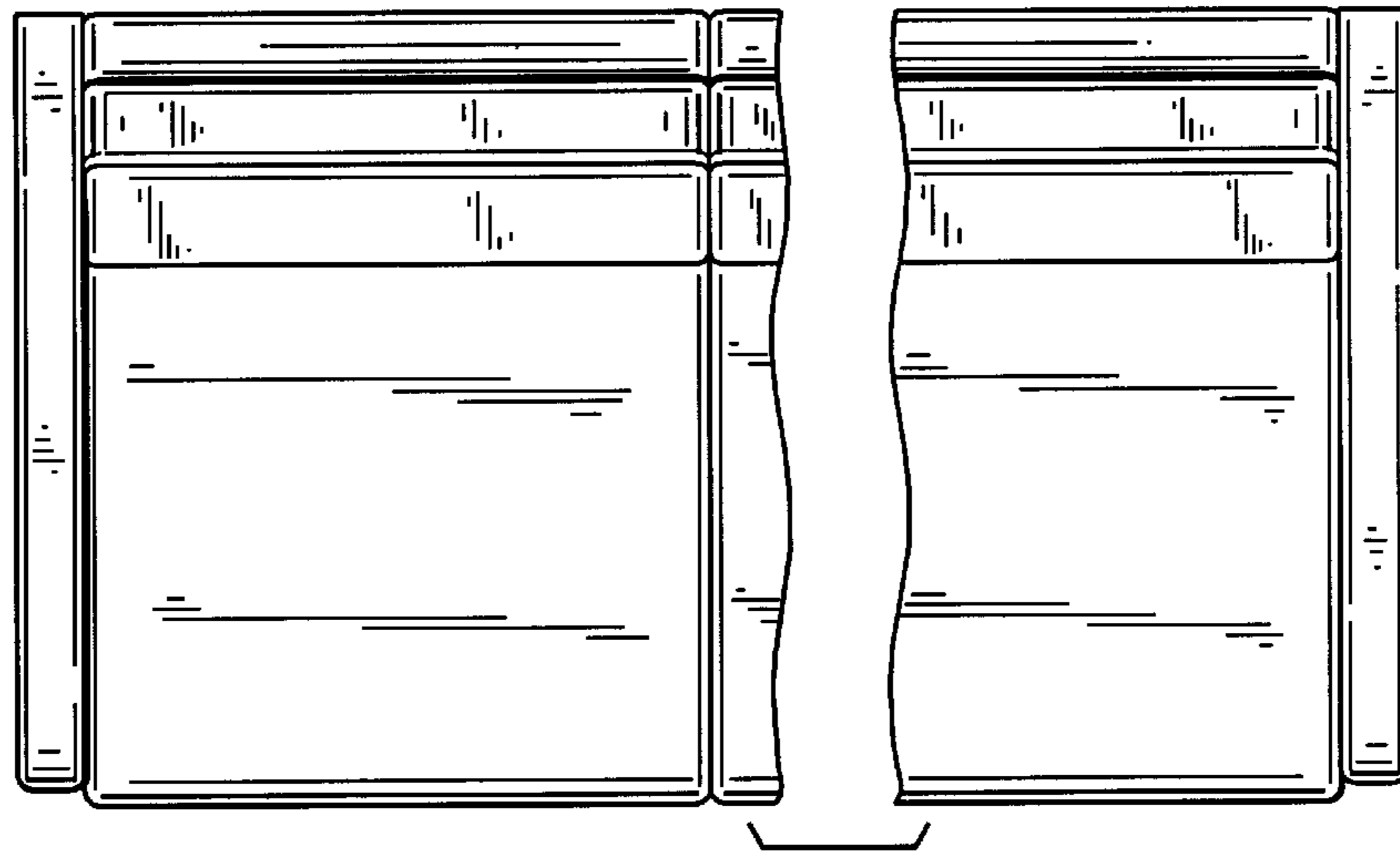


FIG. 10

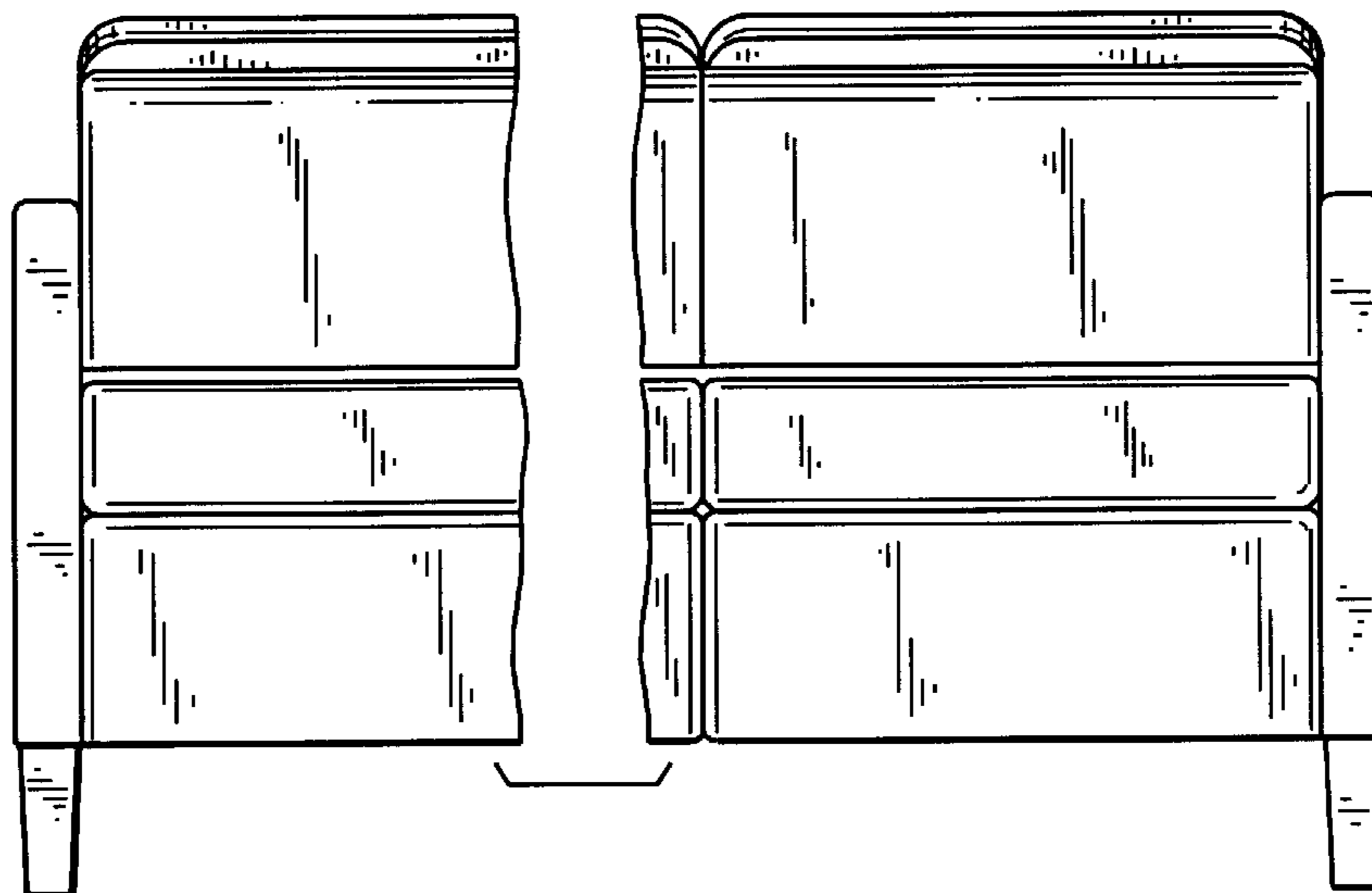


FIG. 11

