



US00D533364S

(12) **United States Design Patent**
Gehry

(10) **Patent No.:** **US D533,364 S**

(45) **Date of Patent:** **** Dec. 12, 2006**

(54) **CHAIR**

(75) Inventor: **Frank O. Gehry**, Los Angeles, CA
(US)

(73) Assignee: **Gehry Design, LLC**, Los Angeles, CA
(US)

(**) Term: **14 Years**

(21) Appl. No.: **29/203,401**

(22) Filed: **Apr. 13, 2004**

(51) **LOC (8) Cl.** **06-01**

(52) **U.S. Cl.** **D6/334**

(58) **Field of Classification Search** D6/334-336,
D6/381, 364, 500-502, 371; 297/232, 445.1,
297/446.1; 5/12.1

See application file for complete search history.

(56) **References Cited**

U.S. PATENT DOCUMENTS

D227,835 S	*	7/1973	Kublmann	D6/364
D228,595 S	*	10/1973	Korch	D6/334
D239,228 S	*	3/1976	Ivtroni	D6/364
D242,310 S	*	11/1976	Fister	D6/373
D244,328 S	*	5/1977	Heumann	D6/334
D244,569 S	*	6/1977	Laroye	D6/334
D252,486 S	*	7/1979	Petersilie	D6/381
D252,487 S	*	7/1979	Petersilie	D6/381
D283,855 S	*	5/1986	Kujawski	D6/333
D342,164 S	*	12/1993	Dalman	D6/333

D369,495 S	*	5/1996	Mourgue	D6/378
D392,470 S	*	3/1998	Smith	D6/334
D399,350 S	*	10/1998	Hudson et al.	D6/334
D399,661 S	*	10/1998	Smith	D6/334
D467,092 S	*	12/2002	Vu	D6/381
D503,548 S	*	4/2005	Peters	D6/335
D508,786 S	*	8/2005	Natuzzi	D6/364

OTHER PUBLICATIONS

Lounge Chair, by Scott Burton, c 1986, The Baltimore Museum of Art brochure, 1 pg.*

* cited by examiner

Primary Examiner—Sandra S. Snapp

(74) *Attorney, Agent, or Firm*—Gottlieb, Rackman & Reisman, P.C.

(57) **CLAIM**

The ornamental design for a chair, as shown and described.

DESCRIPTION

FIG. 1 is a center, front perspective view of a design for a chair;

FIG. 2 is a top, left, front perspective view of said design;

FIG. 3 is a top, left, side perspective view of said design;

FIG. 4 is a top, left, rear perspective view of said design;

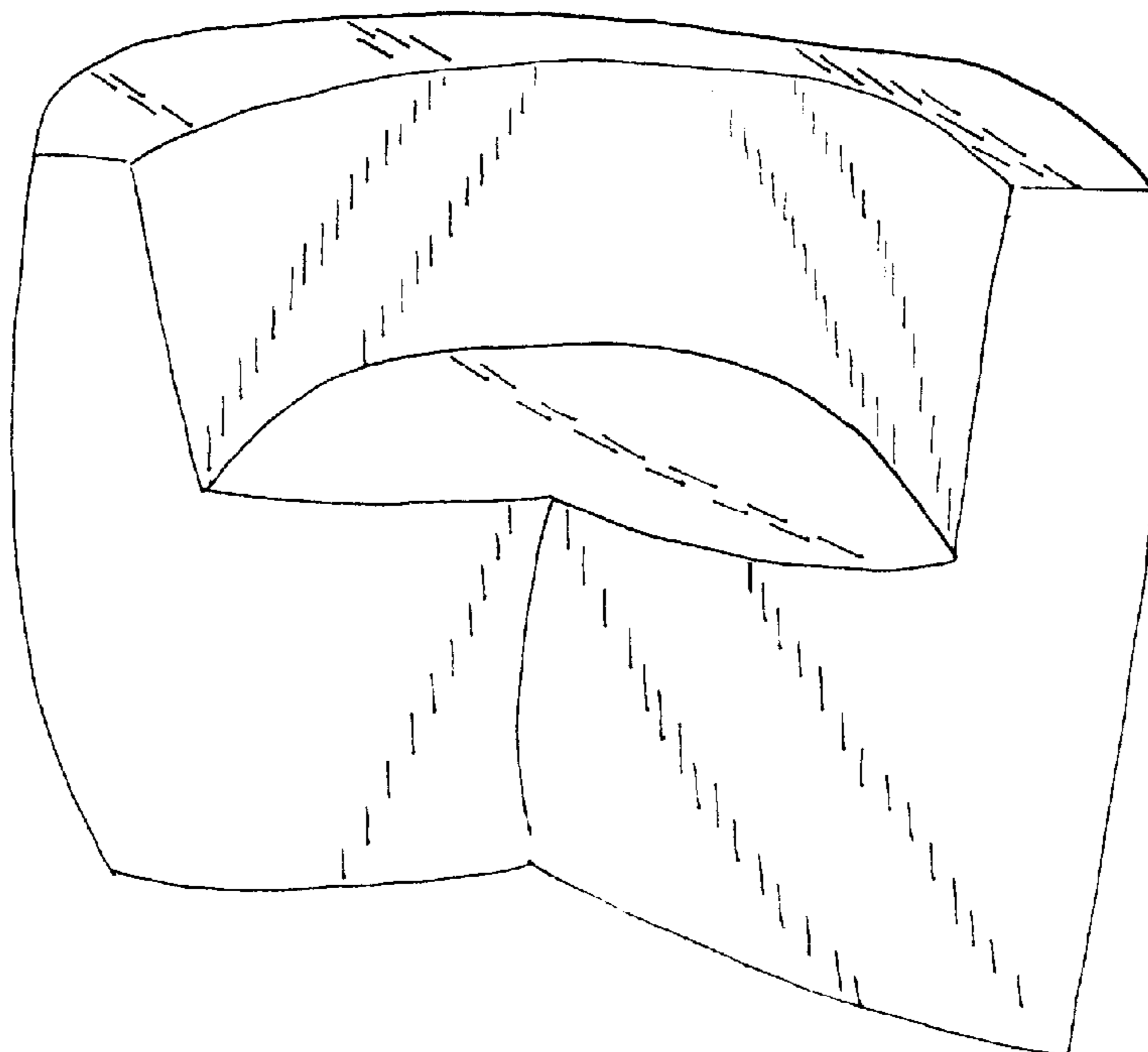
FIG. 5 is a top, right, rear perspective view of said design;

FIG. 6 is a top, right, side perspective view of said design;

and,

FIG. 7 is a top, right, front perspective view of said design.

1 Claim, 7 Drawing Sheets



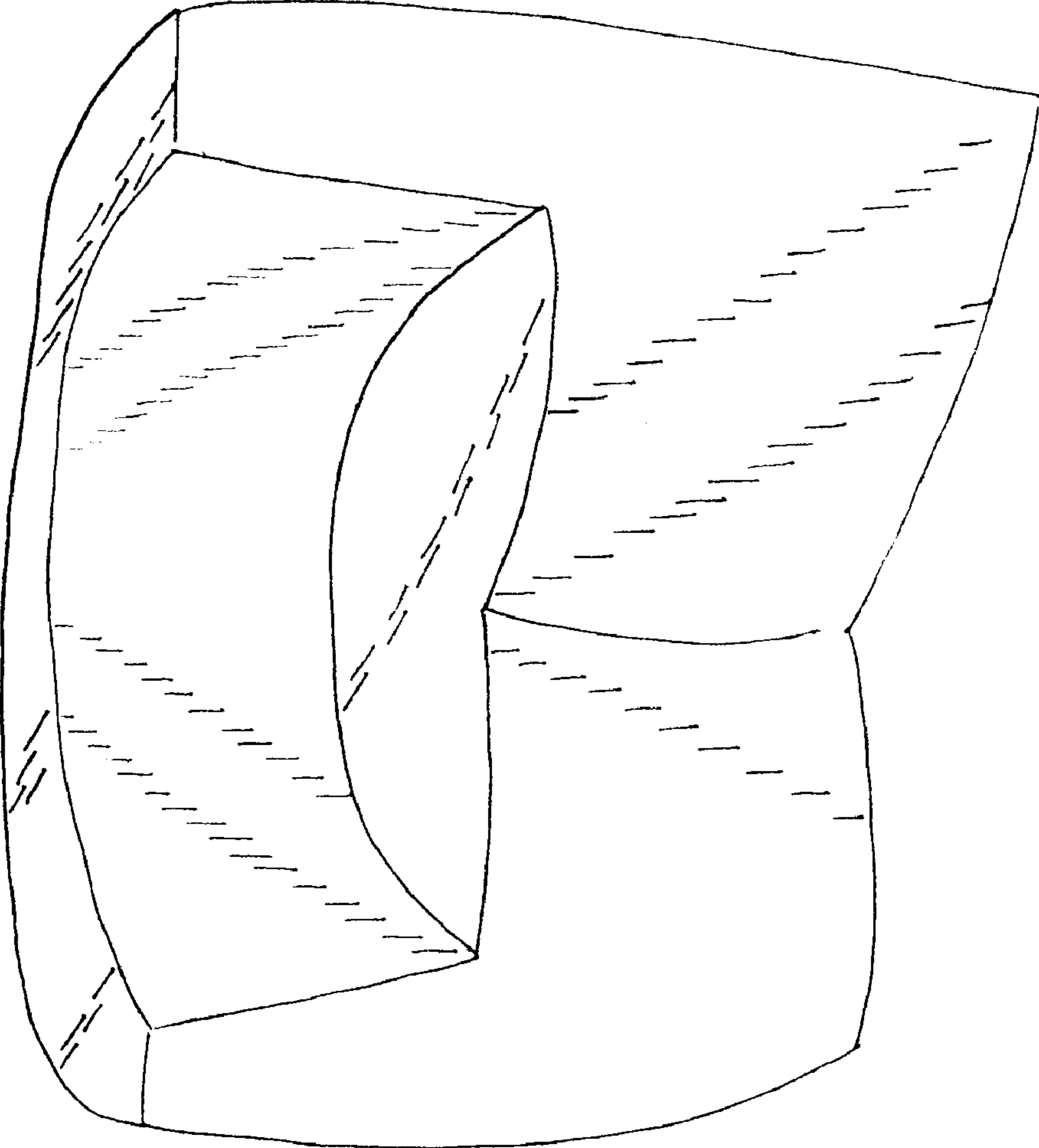


FIG. 1

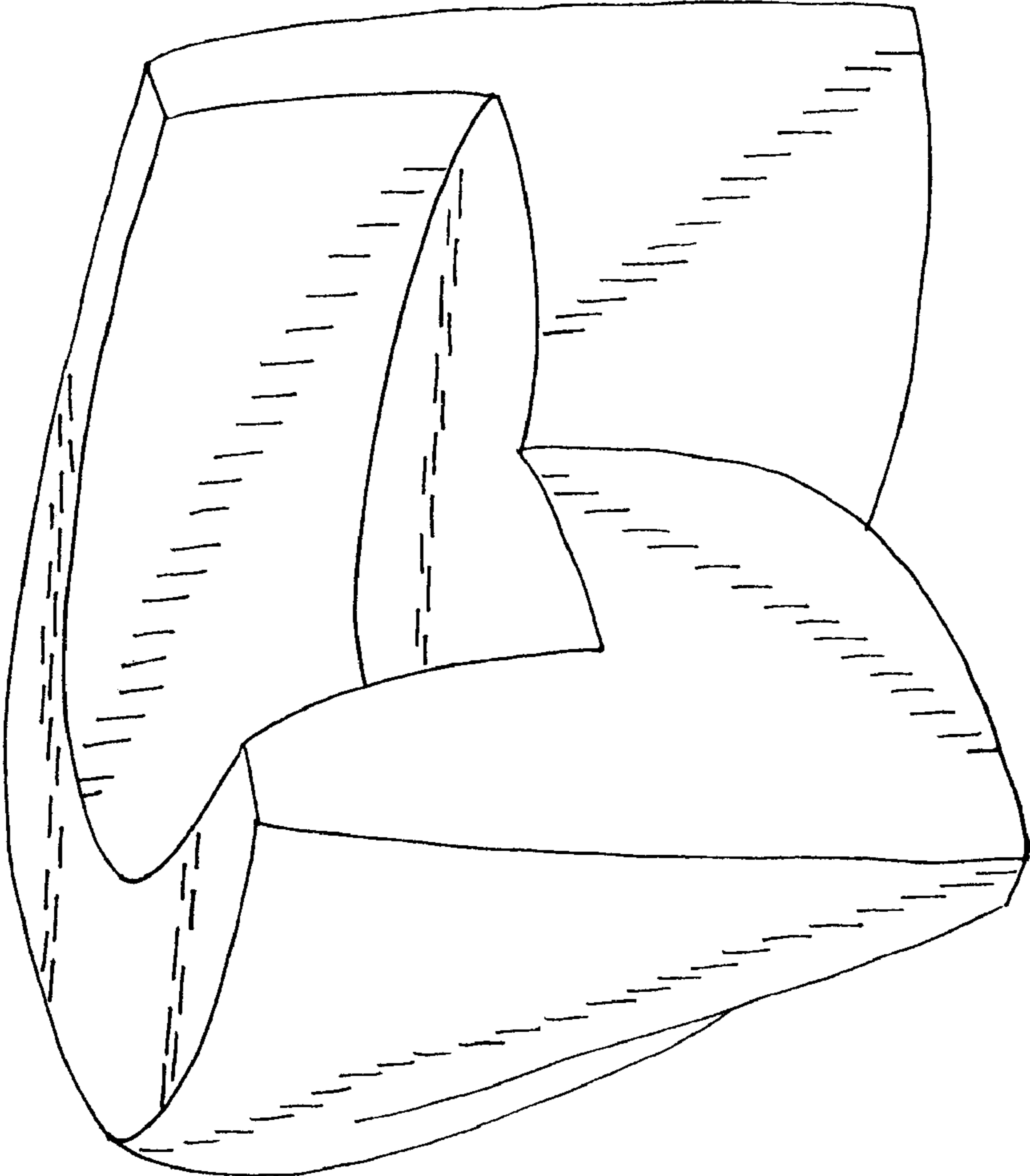


FIG. 2

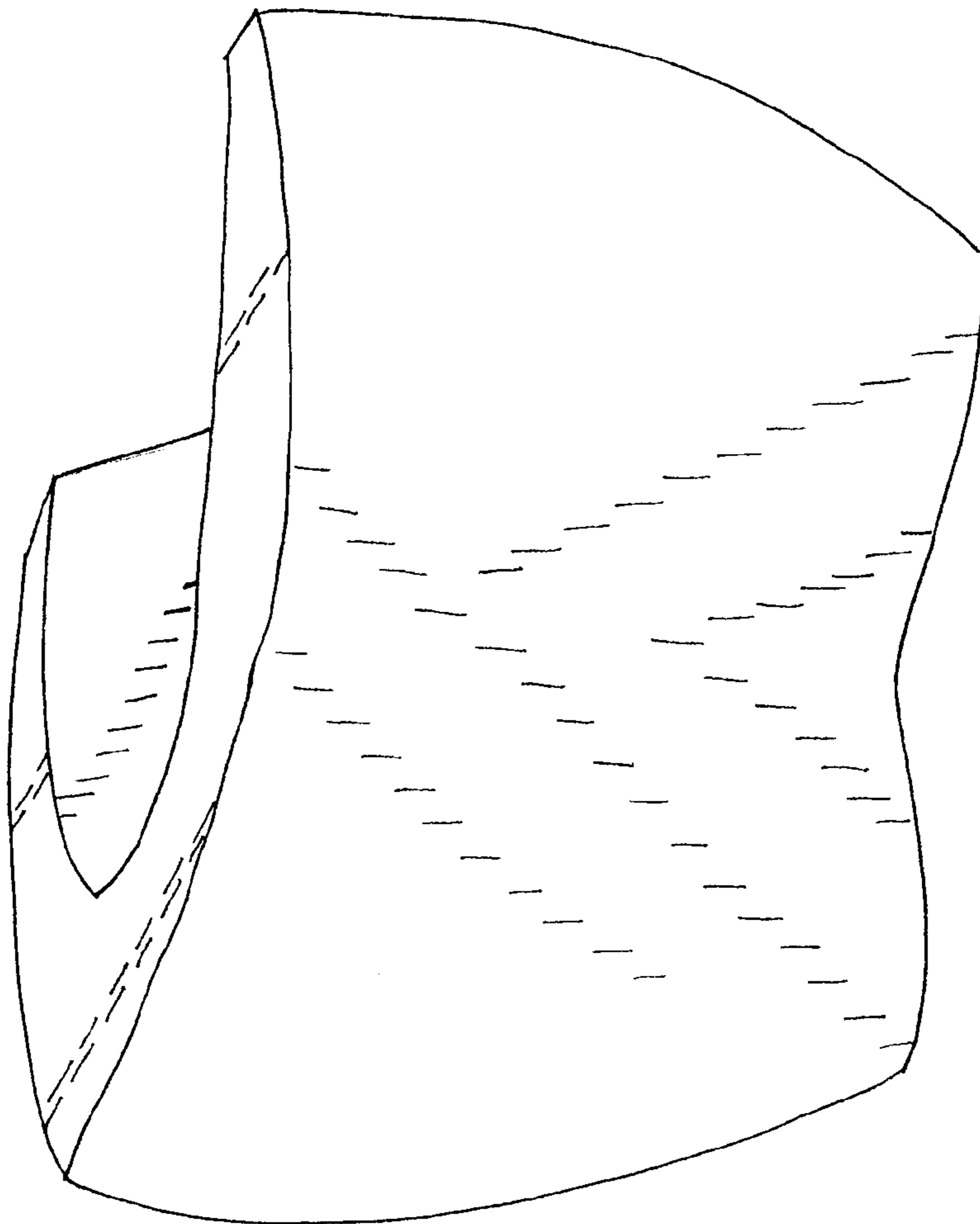


FIG. 3

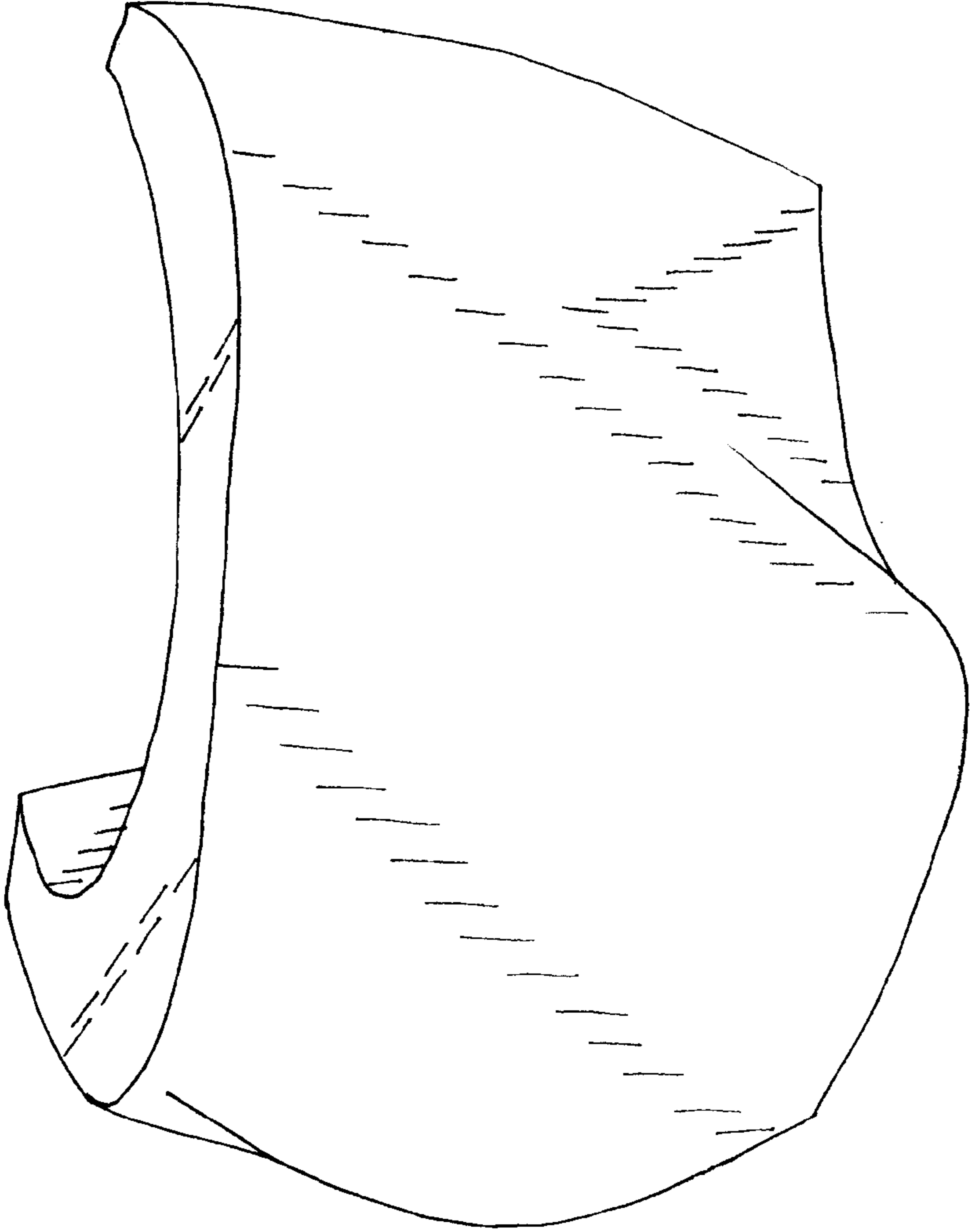


FIG. 4

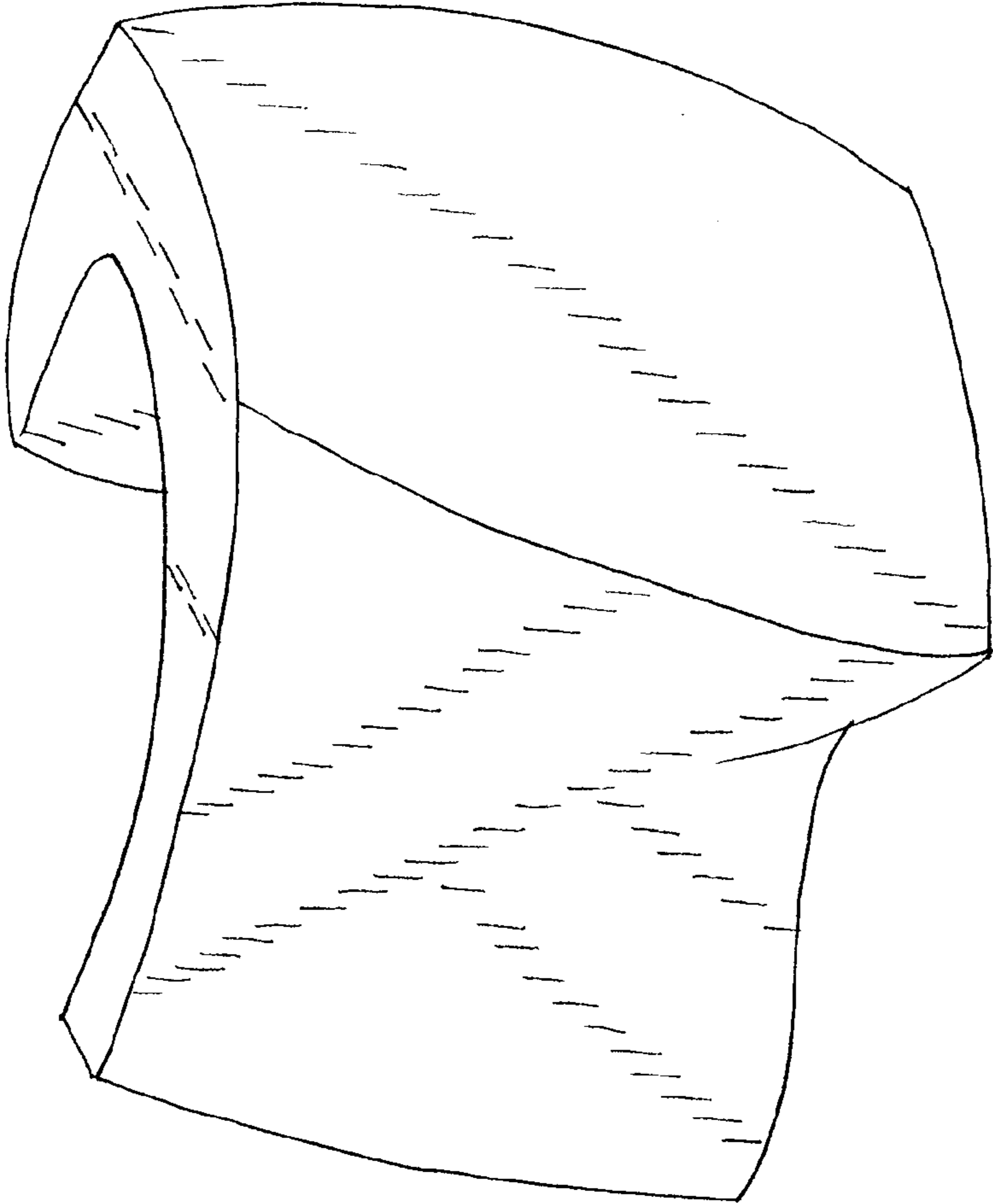


FIG. 5

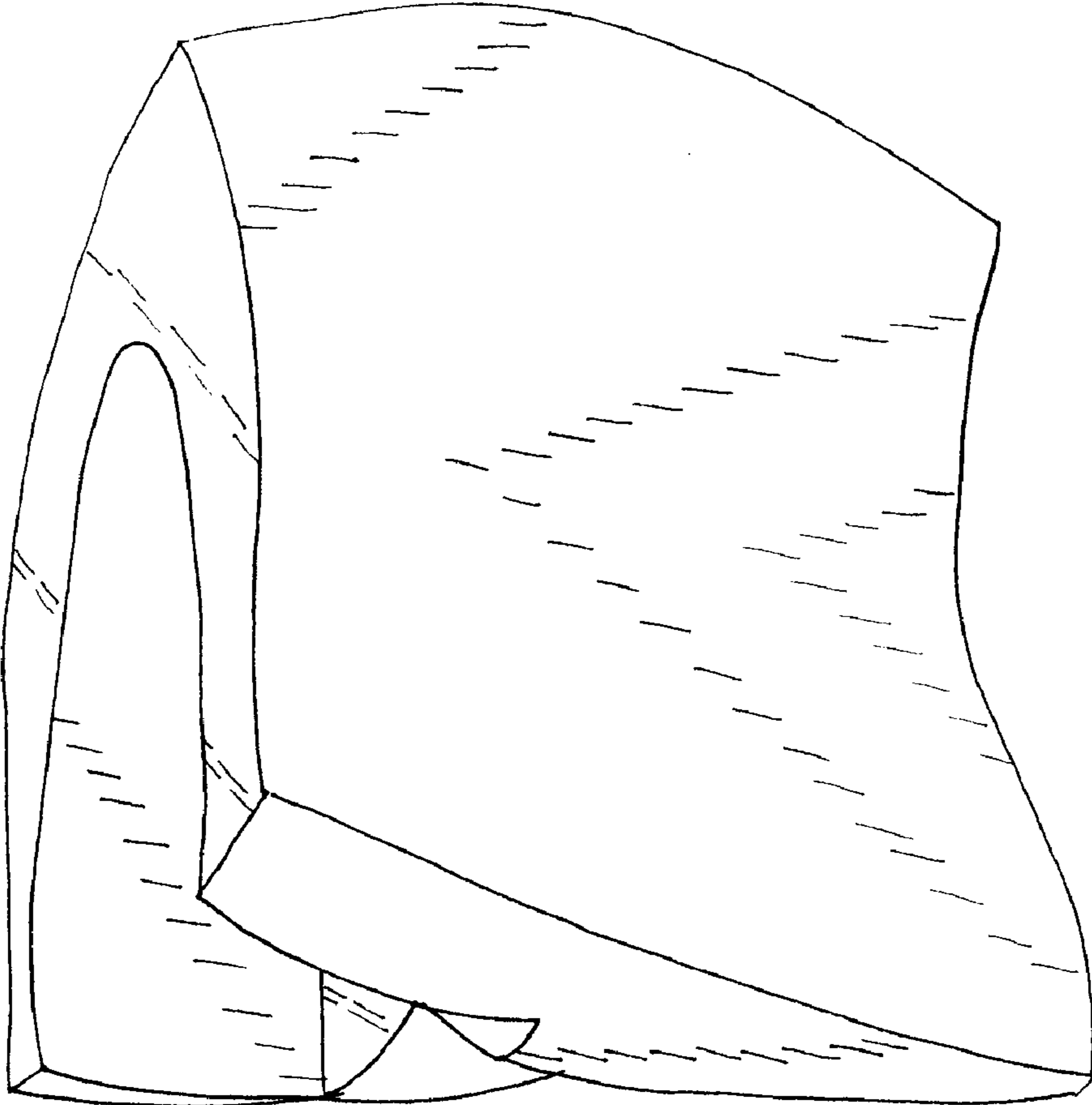


FIG. 6

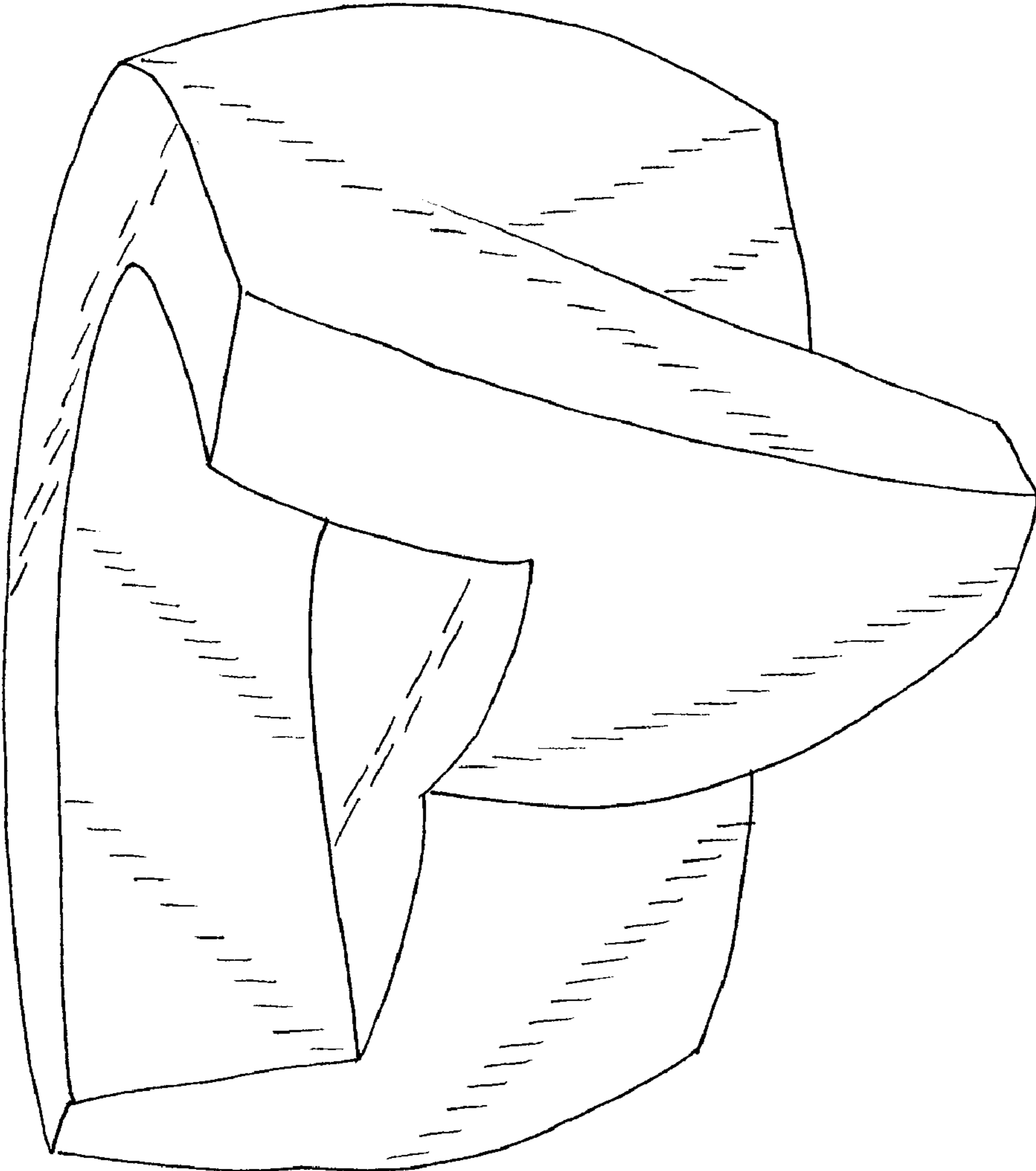


FIG. 7