



US00D533358S

(12) **United States Design Patent**
Bhavnani

(10) **Patent No.:** **US D533,358 S**

(45) **Date of Patent:** **** Dec. 12, 2006**

(54) **PHOTO CLOCK**

(75) Inventor: **Dilip Bhavnani**, Beverly Hills, CA
(US)

(73) Assignee: **Sun Coast Merchandise Corporation**,
Commerce, CA (US)

(**) Term: **14 Years**

(21) Appl. No.: **29/220,466**

(22) Filed: **Dec. 29, 2004**

(51) **LOC (8) Cl.** **06-07**

(52) **U.S. Cl.** **D6/301**

(58) **Field of Classification Search** D6/300-314,
D6/444, 568, 321; 40/200, 700, 720, 728,
40/735, 727, 765, 747; D10/2

See application file for complete search history.

(56) **References Cited**

U.S. PATENT DOCUMENTS

- D227,051 S * 6/1973 Snyder D6/301
- 3,760,521 A * 9/1973 Barraya 40/720
- D275,969 S * 10/1984 Bowers D6/470

- D311,456 S * 10/1990 Grossbart D6/301
- D408,295 S * 4/1999 Ducker D10/5
- D468,114 S * 1/2003 Ong D6/301

* cited by examiner

Primary Examiner—Janice E. Seeger

Assistant Examiner—Sydney R. Buffalow

(74) *Attorney, Agent, or Firm*—The Soni Law Firm

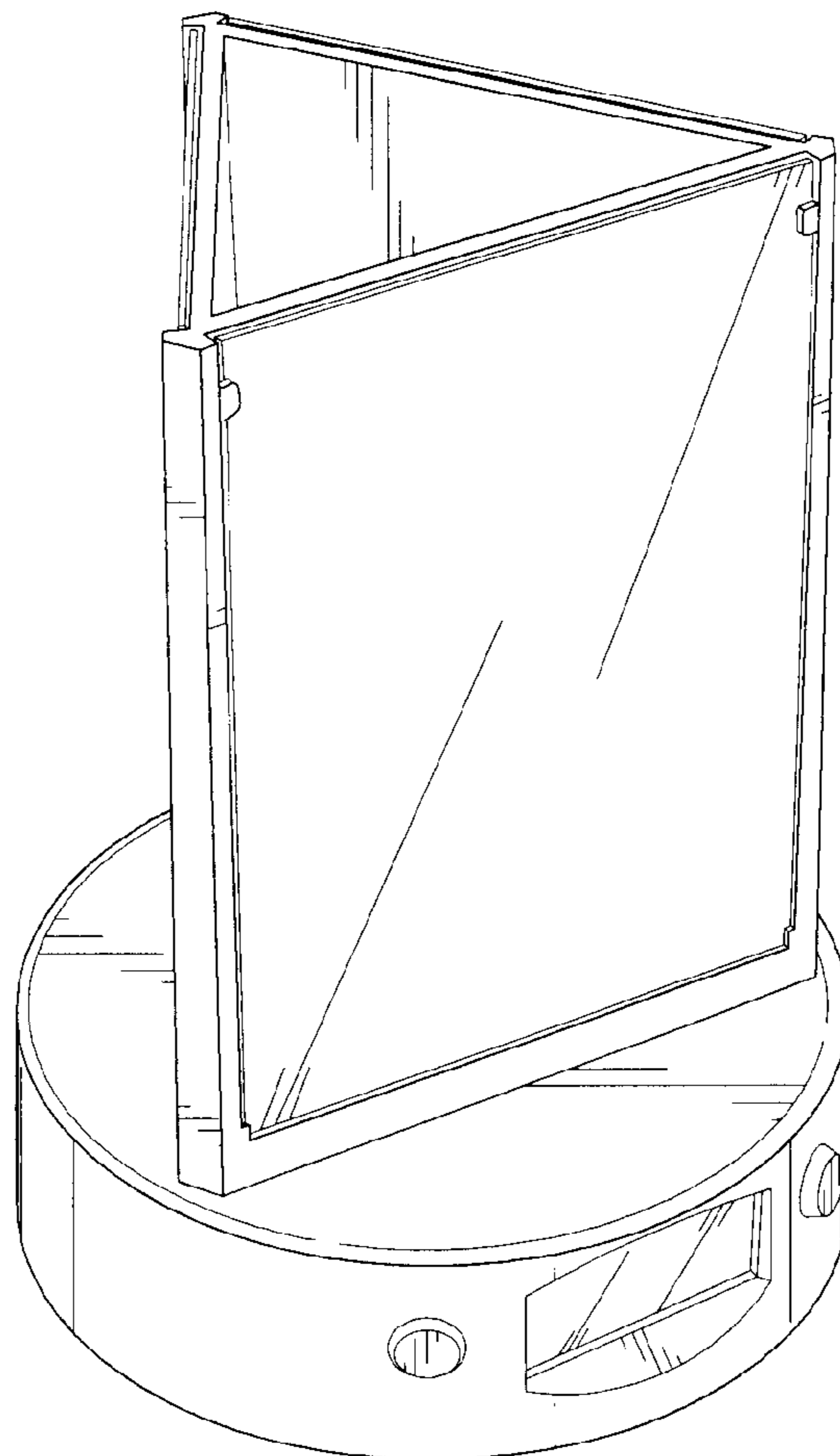
(57) **CLAIM**

The ornamental design for a photo clock, as shown and described.

DESCRIPTION

FIG. 1 is a top front perspective view of a photo clock;
 FIG. 2 is a top plan view of the photo clock of FIG. 1;
 FIG. 3 is a front elevation view of the photo clock of FIG. 1;
 FIG. 4 is a side elevation view of the photo clock of FIG. 1;
 FIG. 5 is a bottom plan view of the photo clock of FIG. 1;
 and,
 FIG. 6 is a back elevation view of the photo clock of FIG. 1.

1 Claim, 2 Drawing Sheets



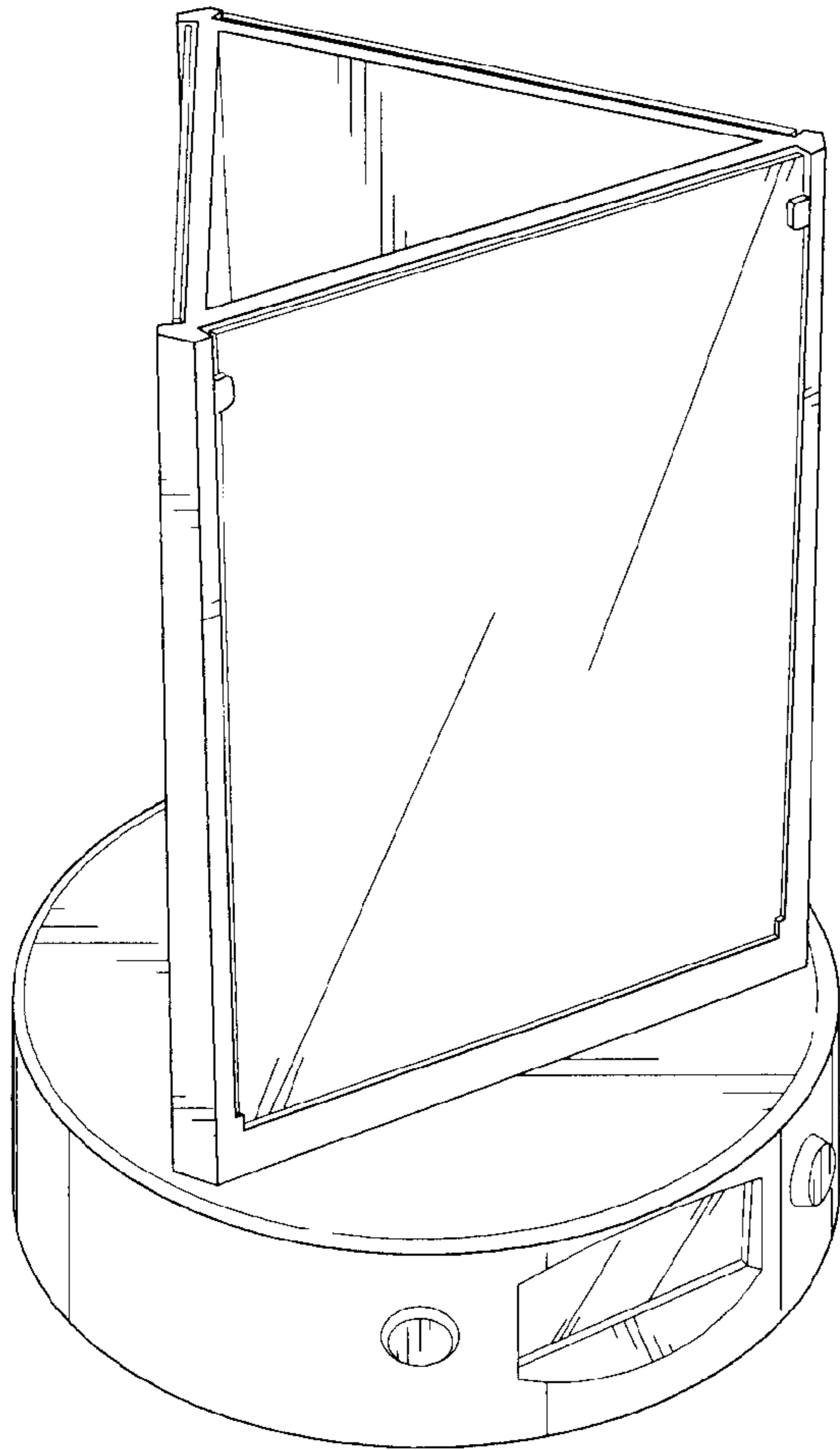


FIG. 1

FIG. 2

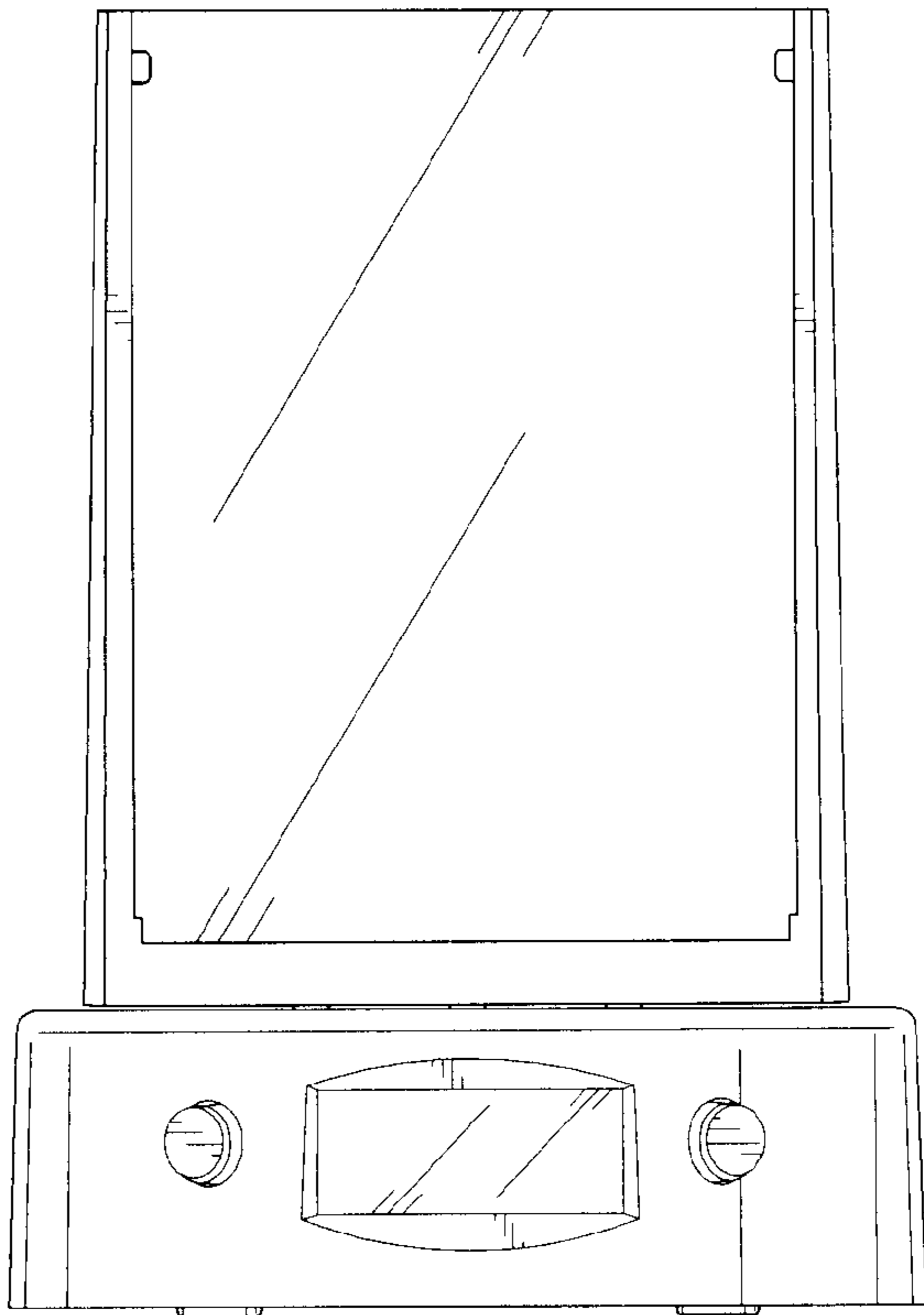
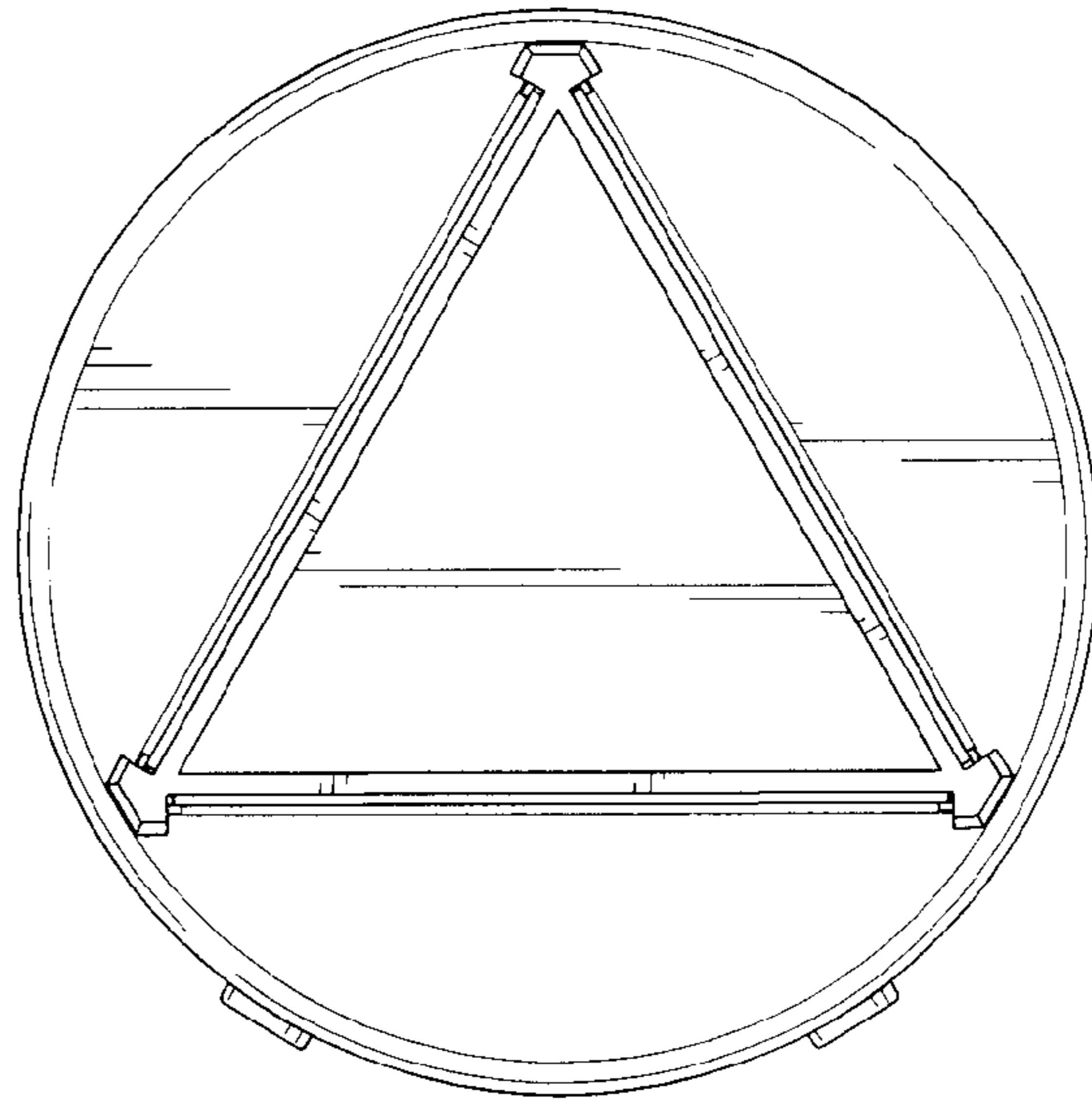


FIG. 3

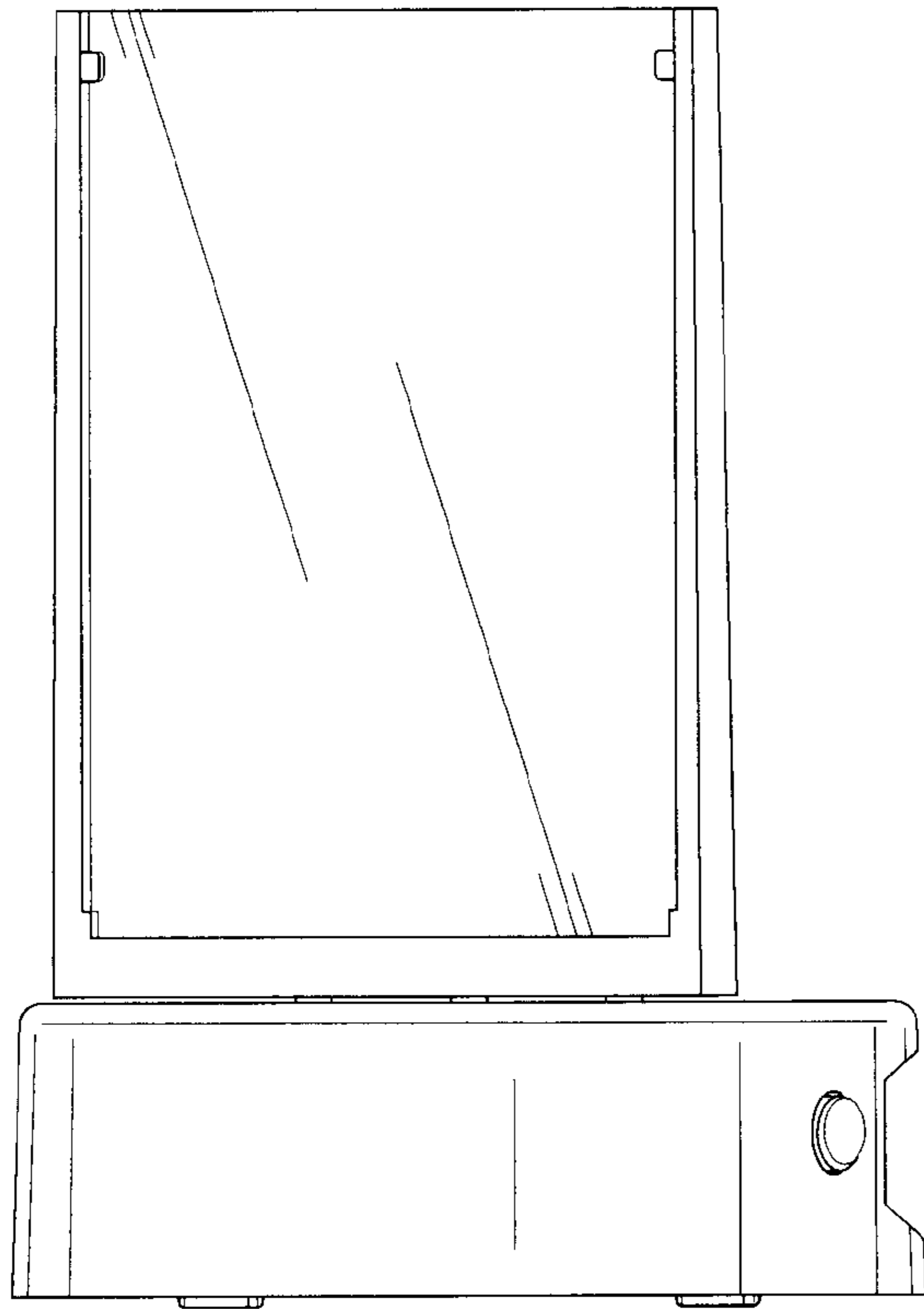


FIG. 4

FIG. 5

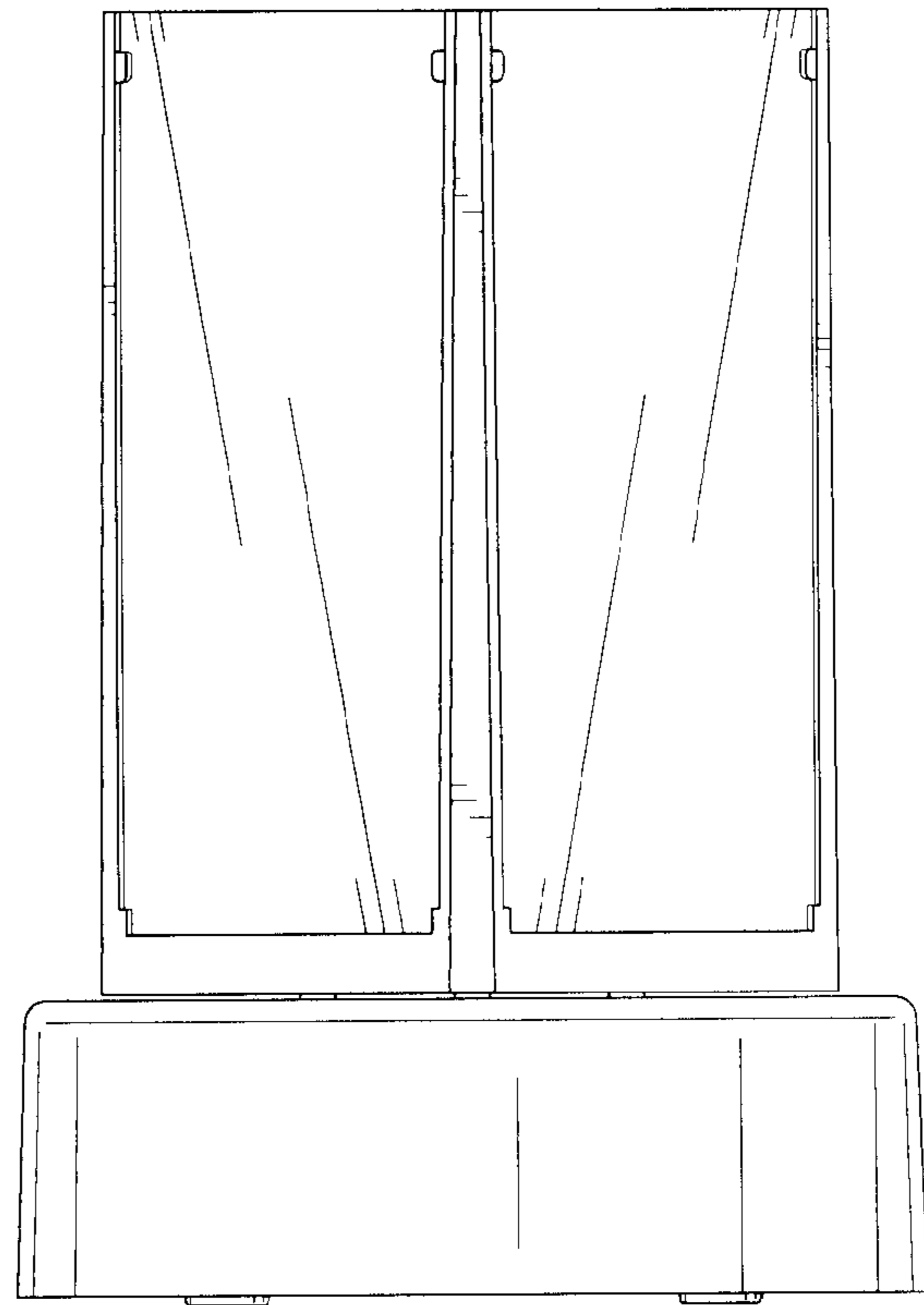
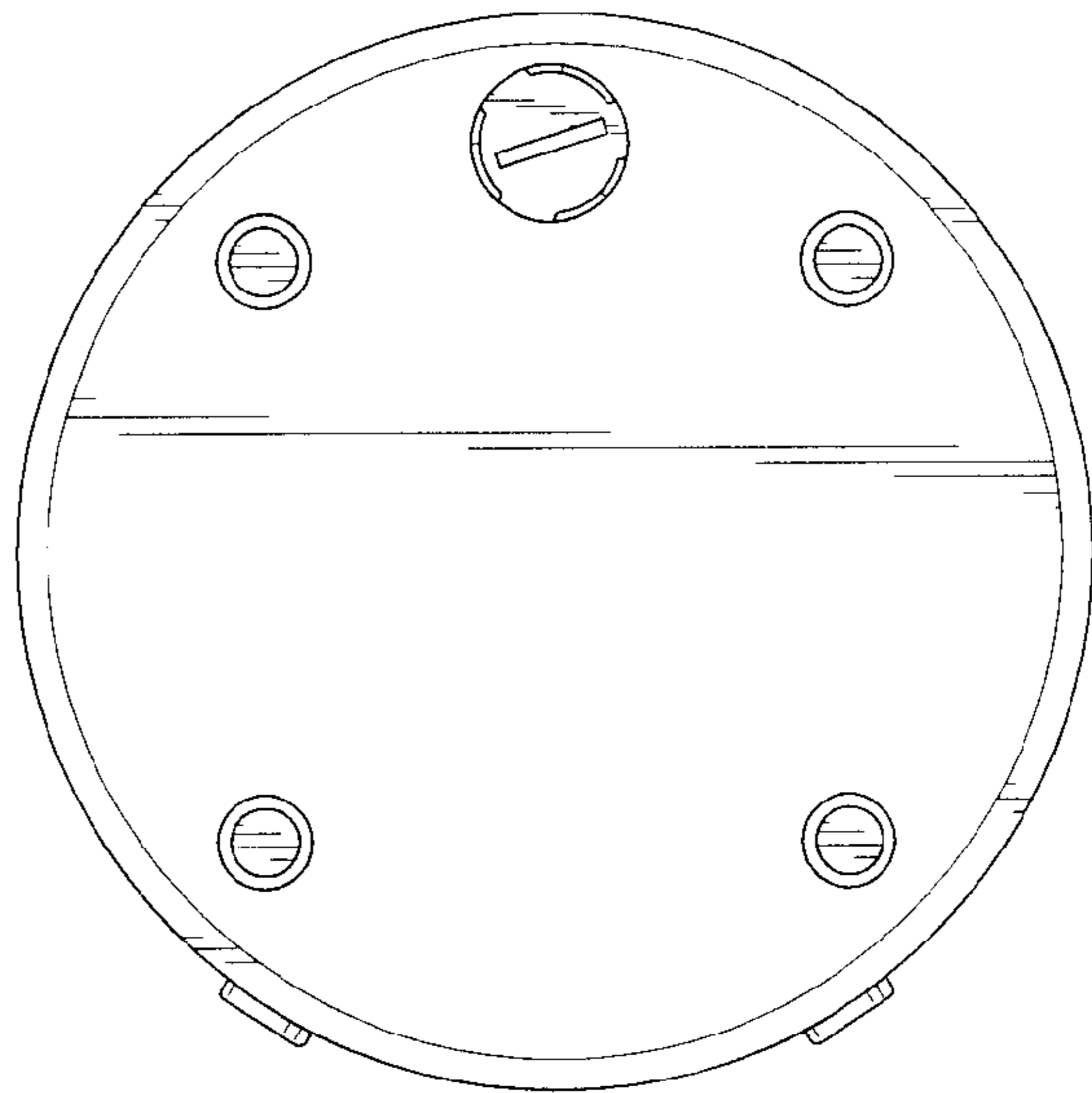


FIG. 6