



US00D533356S

(12) **United States Design Patent** (10) **Patent No.:** **US D533,356 S**
Van Landingham, Jr. (45) **Date of Patent:** **** Dec. 12, 2006**

(54) **UNIVERSAL JOINT**

FOREIGN PATENT DOCUMENTS

(75) Inventor: **Alfred Reneau Van Landingham, Jr.,**
Stephens City, VA (US)

CA	1307629	C	9/1992
CA	2050980	A1	10/1992
CA	1315502	C	4/1993
CA	2138144	A1	12/1993
CA	2114992	A1	8/1994
CA	2181683	A1	7/1995
CA	2189433	A1	12/1995
CA	2203692	A1	4/1997
CA	2201432	A1	10/1997
CA	2263263		2/1998

(73) Assignee: **Rubbermaid Commercial Products**
LLC, Winchester, VA (US)

(**) Term: **14 Years**

(21) Appl. No.: **29/222,439**

(22) Filed: **Jan. 31, 2005**

(Continued)

(51) **LOC (8) Cl.** **04-99**

Primary Examiner—Holly H. Baynham

(52) **U.S. Cl.** **D4/199; D8/382**

(74) *Attorney, Agent, or Firm*—Foley & Lardner LLP

(58) **Field of Classification Search** D8/382;
D32/40, 50, 52; 15/145, 229.2; D4/199
See application file for complete search history.

(57) **CLAIM**

The ornamental design for a universal joint, as shown and described.

(56) **References Cited**

DESCRIPTION

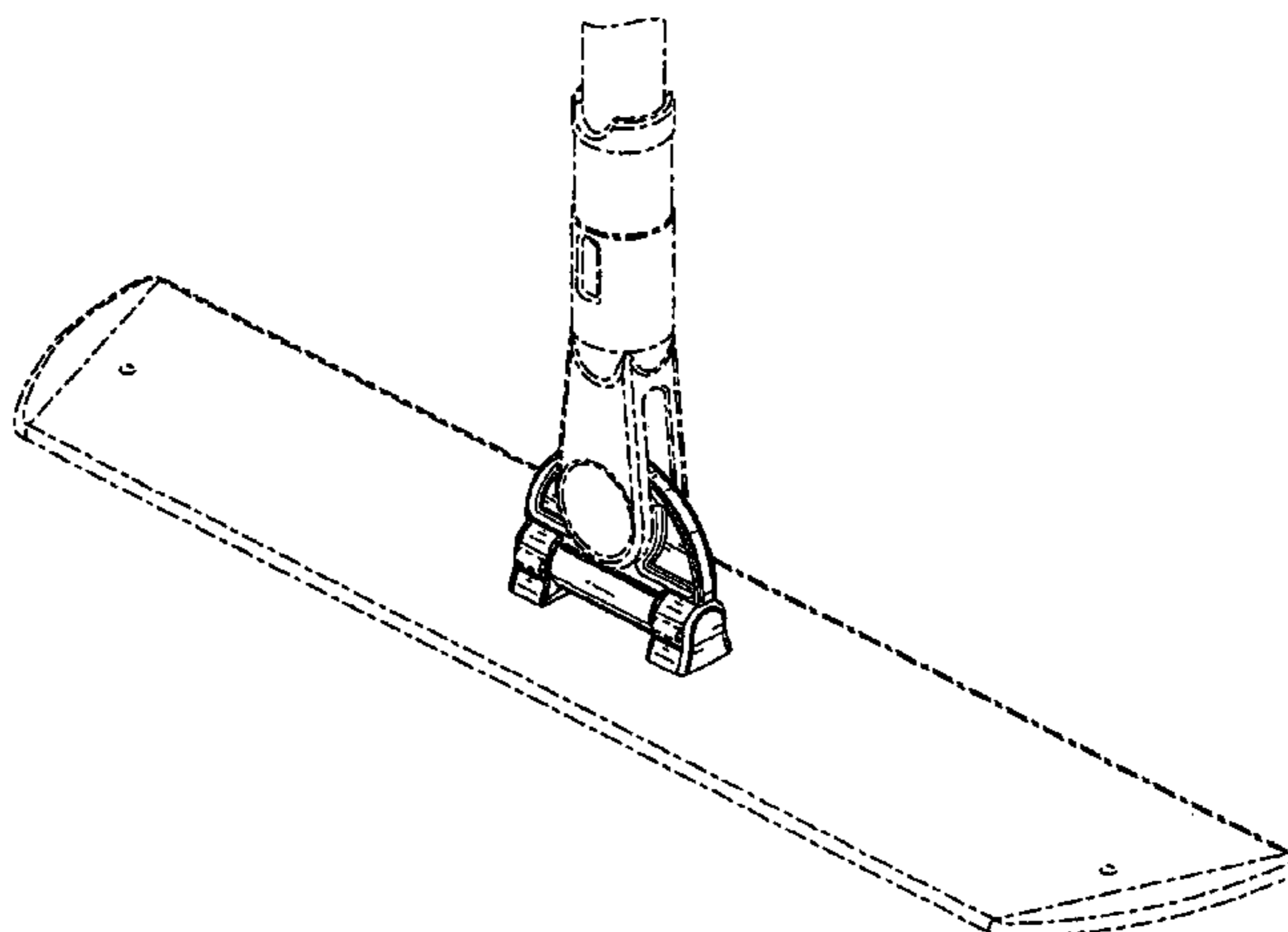
U.S. PATENT DOCUMENTS

1,184,543	A	5/1916	Lepak
1,234,721	A	7/1917	Bogges
1,486,284	A	3/1924	Eiffe
1,816,861	A	8/1931	Mancuso
1,929,848	A	10/1933	Neely
1,932,099	A	10/1933	Cabana
1,955,445	A	4/1934	Wenger
2,021,977	A	11/1935	Allen et al.
2,023,134	A	12/1935	Gringer
2,123,813	A	7/1938	Stiles
2,134,301	A	10/1938	Guggenbuehler
2,252,436	A	8/1941	MacGraham
2,262,334	A	11/1941	Rugaard
2,277,676	A	3/1942	Blanchard
2,753,579	A	7/1956	Kussmann
2,793,383	A	5/1957	Nomiya
2,870,475	A	1/1959	Scheuer et al.
2,932,047	A	4/1960	Johnston
3,099,855	A	8/1963	Nash
3,145,406	A	8/1964	Lay
3,187,363	A	6/1965	Auwarter
D204,662	S	5/1966	Benjamin

FIG. 1 is a top frontal perspective view of a universal joint according to my new design;
 FIG. 2 is a front view of the universal joint shown in FIG. 1;
 FIG. 3 is a back view of the universal joint shown in FIG. 1;
 FIG. 4 is a left side view of the universal joint shown in FIG. 1;
 FIG. 5 is a right side view of the universal joint shown in FIG. 1;
 FIG. 6 is a top view of the universal joint shown in FIG. 1;
 FIG. 7 is a bottom view of the universal joint shown in FIG. 1; and,
 FIG. 8 is a top frontal perspective view of the universal joint shown in FIG. 1, with environmental material removed for clarity.
 The ornamental design which is claimed is shown in solid lines in the drawings. The broken lines in the drawings are for illustrative purposes only and form no part of the claimed design.

(Continued)

1 Claim, 7 Drawing Sheets



US D533,356 S

U.S. PATENT DOCUMENTS					
			4,829,622 A	5/1989	O'Sullivan et al.
			4,829,857 A	5/1989	Jones
			4,850,075 A	7/1989	Kresse et al.
			4,852,207 A	8/1989	Yamane
			4,852,210 A	8/1989	Krajicek
			D304,630 S	11/1989	Jones et al.
			4,912,804 A	4/1990	Pasbol
			D307,517 S	5/1990	Mallory et al.
			4,962,561 A	10/1990	Hamilton
			D320,295 S	9/1991	Delmerico
			5,071,489 A	12/1991	Silvenis et al.
			5,099,539 A	3/1992	Forester
			5,109,637 A	5/1992	Calafut et al.
			5,133,101 A	7/1992	Hauser et al.
			5,207,754 A	5/1993	Harrah
			5,220,707 A	6/1993	Newman, Sr. et al.
			5,228,202 A	7/1993	Liao
			5,242,362 A	9/1993	Talamantez
			D344,379 S	2/1994	Clark, Jr.
			D345,236 S	3/1994	Chen
			D348,550 S	7/1994	Cox et al.
			5,333,347 A	8/1994	Stranders
			5,333,353 A	8/1994	Taylor
			5,343,589 A	9/1994	Davenport
			5,375,286 A	12/1994	Harrah
			5,402,559 A	4/1995	Allison et al.
			D358,238 S	5/1995	Barnett
			5,419,015 A	5/1995	Garcia
			D359,605 S	6/1995	Janikowski
			5,426,809 A	6/1995	Muta
			5,440,778 A	8/1995	De Guzman
			5,461,749 A	10/1995	Ahlberg et al.
			5,469,594 A	11/1995	Nolte
			D366,740 S	1/1996	Clausen et al.
			5,487,202 A	1/1996	Cowan
			D368,561 S	4/1996	Hodges et al.
			5,502,864 A	4/1996	Sorenson
			D370,101 S	* 5/1996	Juratovac et al. D32/50
			5,515,574 A	5/1996	Larson
			5,548,865 A	8/1996	Pagani
			5,553,344 A	9/1996	Rosenkrantz
			D374,321 S	10/1996	Mandell et al.
			5,579,557 A	12/1996	Boden
			5,579,558 A	12/1996	Newman, Jr. et al.
			5,603,138 A	2/1997	Bonis
			5,611,104 A	3/1997	DeMars
			5,625,923 A	5/1997	Huang
			D380,303 S	7/1997	Wolfenden
			5,655,250 A	8/1997	Warrell
			D383,580 S	9/1997	Bolster et al.
			5,666,685 A	9/1997	von Grolman et al.
			D384,818 S	10/1997	Wolfenden
			5,682,641 A	11/1997	Newman, Jr. et al.
			5,720,071 A	2/1998	Hall
			D391,715 S	3/1998	Irwin et al.
			5,729,865 A	3/1998	Stoddart
			5,752,415 A	5/1998	Tsai
			D395,530 S	6/1998	Mandell et al.
			D395,531 S	6/1998	Mandell et al.
			5,771,535 A	6/1998	Blessing
			5,774,929 A	7/1998	Jürgens et al.
			5,779,291 A	7/1998	Forest
			5,791,006 A	8/1998	Anctil
			5,791,805 A	8/1998	Lynch et al.
			5,813,567 A	9/1998	Mangano
			5,815,878 A	10/1998	Murakami et al.
			D402,776 S	12/1998	Carlson
			5,842,810 A	12/1998	Morad
			5,845,361 A	12/1998	Murakami et al.
			5,845,917 A	12/1998	Huang
			D403,819 S	1/1999	Carlson

US D533,356 S

5,862,562 A	1/1999	Erken	6,415,470 B1	7/2002	Ramrattan
D404,924 S	2/1999	Schmidt	6,457,203 B1	10/2002	Williams et al.
5,864,913 A	2/1999	Robertson et al.	6,461,074 B1	10/2002	Taylor
D406,932 S	3/1999	Hodges	D465,890 S	11/2002	Rivera et al.
5,887,315 A	3/1999	Rogers	6,484,346 B1	11/2002	Kingry et al.
D407,878 S	4/1999	Carlson	6,513,184 B1	2/2003	Brown et al.
D408,602 S	4/1999	Carlson	6,523,220 B1	2/2003	Lynn
D409,343 S	5/1999	Kingry et al.	6,530,124 B1	3/2003	Newman et al.
D411,673 S	6/1999	Biggs et al.	6,532,630 B1	3/2003	Newman et al.
5,915,437 A	6/1999	Petner	6,543,082 B1	4/2003	Dingert et al.
5,918,343 A	7/1999	Young	6,546,596 B1	4/2003	Grote et al.
5,920,944 A	7/1999	Biggs et al.	D476,123 S	6/2003	Debreczeni
5,926,896 A	7/1999	Allemann et al.	6,588,065 B1	7/2003	Tucker, III
5,941,410 A	8/1999	Mangano	6,601,261 B1	8/2003	Holt et al.
5,960,508 A	10/1999	Holt et al.	6,606,757 B1	8/2003	Vosbikian et al.
5,971,199 A	10/1999	Jackson	D481,184 S	10/2003	Clare et al.
5,983,441 A	11/1999	Williams et al.	D482,829 S	11/2003	Vosbikian et al.
5,983,455 A	11/1999	Polzin et al.	6,651,290 B1	11/2003	Kingry et al.
5,987,685 A	11/1999	Lambert	6,669,397 B1	12/2003	Christion
5,992,423 A	11/1999	Tevolini	6,671,923 B1	1/2004	Gromnicki
D417,934 S	12/1999	Footer et al.	6,671,930 B1	1/2004	Lanz
5,996,175 A	12/1999	Fusco	D486,616 S	2/2004	Hall et al.
6,000,094 A	12/1999	Young	D487,174 S	2/2004	Colman et al.
6,003,191 A	12/1999	Sherry et al.	6,684,446 B1	2/2004	Salmon
6,023,924 A	2/2000	Babineau	6,684,450 B1	2/2004	Dingert
6,029,308 A	2/2000	Smith	6,687,943 B1	2/2004	Zorzo
D423,157 S	4/2000	Hodges	D489,852 S	5/2004	Perelli
D423,742 S	4/2000	Kingry et al.	D490,952 S	6/2004	Ajluni
6,045,622 A	4/2000	Holt et al.	6,794,352 B1	9/2004	Svendsen
6,048,123 A	4/2000	Holt et al.	D504,061 S *	4/2005	Fisher et al. D8/382
6,058,548 A	5/2000	Footer et al.	2001/0013153 A1	8/2001	Zorzo
6,058,552 A	5/2000	Hanan	2001/0029640 A1	10/2001	Cassar
6,061,864 A	5/2000	Ensson	2001/0047559 A1	12/2001	Graham et al.
D426,361 S	6/2000	Young	2001/0047570 A1	12/2001	Lanz
D427,401 S	6/2000	Kunkler	2002/0021013 A1	2/2002	Newman et al.
D428,226 S	7/2000	Kunkler	2002/0026680 A1	3/2002	Kingry et al.
6,092,255 A	7/2000	Kim	2002/0066163 A1	6/2002	Lomax
D429,396 S	8/2000	Houry et al.	2002/0073502 A1	6/2002	Gromnicki
D429,862 S	8/2000	Houry et al.	2002/0078520 A1	6/2002	Salmon
6,098,239 A	8/2000	Vosbikian	2002/0083964 A1	7/2002	McKay
6,101,661 A	8/2000	Policicchio et al.	2002/0088091 A1	7/2002	Grote et al.
6,115,877 A	9/2000	Morad et al.	2002/0088092 A1	7/2002	Cavalheiro
6,115,878 A	9/2000	McLaughlin et al.	2002/0116780 A1	8/2002	Young
6,119,298 A	9/2000	Kenmochi	2002/0120997 A1	9/2002	Alt
6,128,803 A	10/2000	Dickinson et al.	2002/0144369 A1	10/2002	Biggs et al.
6,141,820 A	11/2000	Schmiedhoff et al.	2002/0184726 A1	12/2002	Kingry et al.
D434,911 S	12/2000	Lynch et al.	2003/0003831 A1	1/2003	Childs et al.
6,158,089 A	12/2000	Monahan et al.	2003/0003832 A1	1/2003	Childs et al.
6,199,245 B1	3/2001	Blessing	2003/0009839 A1	1/2003	Streutker et al.
6,202,250 B1	3/2001	Kenmochi et al.	2003/0024074 A1	2/2003	Hartman
6,213,672 B1	4/2001	Varga	2003/0028988 A1	2/2003	Streutker et al.
6,237,182 B1	5/2001	Cassar	2003/0044569 A1	3/2003	Kacher et al.
6,243,909 B1	6/2001	Graham et al.	2003/0046782 A1	3/2003	Kresse et al.
6,254,305 B1	7/2001	Taylor	2003/0049407 A1	3/2003	Kacher et al.
6,260,230 B1	7/2001	Hunt	2003/0056315 A1	3/2003	Salmon
6,260,238 B1	7/2001	MacMillan	2003/0074756 A1	4/2003	Policicchio et al.
6,279,195 B1	8/2001	Biggs	2003/0084531 A1	5/2003	Dingert et al.
6,298,517 B1	10/2001	McKay	2003/0106568 A1	6/2003	Keck et al.
6,305,046 B1	10/2001	Kingry et al.	2003/0121116 A1	7/2003	Keck et al.
6,311,368 B1	11/2001	Sartori	2003/0126709 A1	7/2003	Policicchio et al.
6,332,234 B1	12/2001	Graham et al.	2003/0126710 A1	7/2003	Policicchio et al.
6,339,979 B1	1/2002	Chiang	2003/0135948 A1	7/2003	Holt et al.
D455,878 S	4/2002	Debreczeni	2003/0150478 A1	8/2003	Biggs
6,367,121 B1	4/2002	MacMillan	2003/0167589 A1	9/2003	Dingert et al.
6,378,159 B1	4/2002	Garrison et al.	2003/0200631 A1	10/2003	Clarke
6,389,638 B1	5/2002	Dickinson et al.	2004/0011382 A1	1/2004	Kingry et al.
D458,427 S	6/2002	Kunkler et al.	2004/0055099 A1	3/2004	Greenberg
D458,721 S	6/2002	Clarke	2004/0071490 A1	4/2004	Vosbikian et al.
6,397,427 B1	6/2002	Bryngelsson	2004/0074520 A1	4/2004	
6,405,403 B1	6/2002	McKay			
6,412,138 B1	7/2002	MacMillan			

Truong et al.			FOREIGN PATENT DOCUMENTS			
CA	2238091	A1	5/1998	DE	102 10 569 A1	9/2003
CA	2252819	A1	10/1998	DE	102 21 060	11/2003
CA	2265139	A1	3/1999	DE	297 24 799 U1	4/2004
CA	2272405	A1	5/1999	EP	0 122 675 A1	10/1984
CA	2193045	C	12/1999	EP	0 168 681 B1	1/1986
CA	2376800	A1	12/1999	EP	0 254 507 A1	1/1988
CA	2 349 726	A1	5/2000	EP	0 299 298 A1	1/1989
CA	2170154	C	11/2000	EP	0 625 329 A1	11/1994
CA	2 377 579	A1	1/2001	EP	0 697 269 A2	2/1996
CA	2 380 369	A1	2/2001	EP	0 702 927 A1	3/1996
CA	2 384 137	A1	4/2001	EP	0 781 524 A	7/1997
CA	2 384 857	A1	4/2001	EP	0 782 835 A2	7/1997
CA	2 332 554	A1	8/2001	EP	0 783 866 A2	7/1997
CA	2 154 839	C	10/2001	EP	0 808 601 A2	11/1997
CA	2 342 010	A1	11/2001	EP	0 898 927 A1	3/1999
CA	2 413 519	A1	1/2002	EP	0 981 993 A2	3/2000
CA	2 353 287	A1	2/2002	EP	1 123 683 A2	8/2001
CA	2 426 042	A1	5/2002	EP	1 138 246 A2	10/2001
CA	2 426 546	A1	5/2002	EP	1 157 653 A2	11/2001
CA	2 426 628	A1	5/2002	EP	1 162 122 A2	12/2001
CA	2 209 147	C	8/2002	EP	1 177 863 A2	2/2002
CA	2 448 393	A1	1/2003	EP	1 181 887 A2	2/2002
CA	2 411 221	A1	5/2003	EP	1 234 537 A2	8/2002
CA	2 266 783	C	1/2004	EP	1 234 538 A2	8/2002
CA	2 284 654	C	1/2004	EP	1 262 139 A	12/2002
CA	2215574	C	3/2004	EP	1 380 248 A2	1/2004
CA	2 266 541	C	3/2004	FR	786.764	9/1935
CA	2 282 149	C	3/2004	FR	1084131	1/1955
CA	2 300 393	C	5/2004	FR	1347916	11/1963
CA	2 193 044	C	12/2004	FR	2 354 743	1/1978
DE	597 084		5/1934	FR	2 495 530	6/1982
DE	815036		9/1951	FR	2 769 204 A1	4/1999
DE	1 703 505		5/1968	GB	660499	11/1951
DE	1 503 872		7/1969	GB	945831	1/1964
DE	34 11 858	A1	8/1985	GB	1501316	2/1978
DE	9000477	U1	1/1990	GB	1 562 009	3/1980
DE	41 09 142	A1	9/1992	GB	2 197 185 A	5/1988
DE	9301615	U1	2/1993	GB	2 319 742 A	6/1998
DE	9307679	U1	9/1993	GB	2 331 694 A	6/1999
DE	43 29 848	A1	3/1994	GB	2 372 430 A *	8/2002
DE	9408885	U1	10/1994	GB	2 372 437 A *	8/2002
DE	9410791	U1	10/1994	LU	88 755 *	10/1996
DE	9411092	U1	10/1994	NL	6903297 *	9/1970
DE	43 18 792	A1	12/1994	PL	183974 B1 *	11/1997
DE	9415002	U1	12/1994	SE	470 475 B	5/1994
DE	94 16 565	U1	1/1995	SE	502 450 C2 *	10/1995
DE	94 21 373	U1	12/1995	WO	WO 89/12419 A1 *	12/1989
DE	195 21 341	A1	12/1996	WO	WO 92/14064 *	8/1992
DE	9311098	U1	2/1997	WO	WO 92/18046 A1 *	10/1992
DE	195 29 780	A1	2/1997	WO	WO 92/19142 A1 *	11/1992
DE	296 20 863	U1	3/1997	WO	WO 93/26148 A1 *	12/1993
DE	196 20 663	A1	11/1997	WO	WO 95/07044 A1 *	3/1995
DE	197 36 735	A1	2/1999	WO	WO 95/20107 A1 *	7/1995
DE	298 18 942	U1	2/1999	WO	WO 95/32661 A1 *	12/1995
DE	198 03 595	A1	8/1999	WO	WO 97/01420 A1 *	1/1997
DE	198 27 865	A1	1/2000	WO	WO 97/10742 A1 *	3/1997
DE	199 08 259	A1	8/2000	WO	WO 97/18744 A1 *	5/1997
DE	100 20 366	A1	6/2001	WO	WO 97/33510 A1	9/1997
DE	100 08 331	A1	9/2001	WO	WO 97/35510 A1	10/1997
DE	100 13 308	C1	9/2001	WO	WO 98/06316 A1	2/1998
DE	100 19 211	A1	9/2001	WO	WO 98/11812 A1	3/1998
DE	201 06 432	U1	9/2001	WO	WO 98/11813 A1	3/1998
DE	201 07 465	U1	2/2002	WO	WO 98/12023 A1	3/1998
DE	201 17 581	U1	2/2002	WO	WO 98/23199 A1	6/1998
DE	100 49 334	A1	4/2002	WO	WO 98/36676 A1	8/1998
DE	101 23 522	C1	8/2002	WO	WO 98/42246 A1	10/1998
DE	202 20 311	U1	7/2003	WO	WO 99/07523 A1	2/1999
DE	102 23 074	C1	8/2003	WO	WO 99/11171 A1	3/1999
				WO	WO 99/63879 A1	12/1999
				WO	WO 99/66825 A1	12/1999
				WO	WO 00/27271 A2	5/2000

US D533,356 S

Page 5

WO WO 00/69321 A 11/2000
WO WO 01/06137 A1 1/2001
WO WO 01/22860 A1 4/2001
WO WO 01/22861 A2 4/2001
WO WO 01/39653 A1 6/2001
WO WO 01/45547 A1 6/2001
WO WO 01/54867 A1 8/2001
WO WO 01/67941 A1 9/2001

WO WO 01/67942 A1 9/2001
WO WO 02/00085 A2 1/2002
WO WO 02/083370 A1 10/2002
WO WO 03/075737 A2 9/2003
WO WO 03/092965 A2 11/2003
WO WO 03/099095 A1 12/2003

* cited by examiner

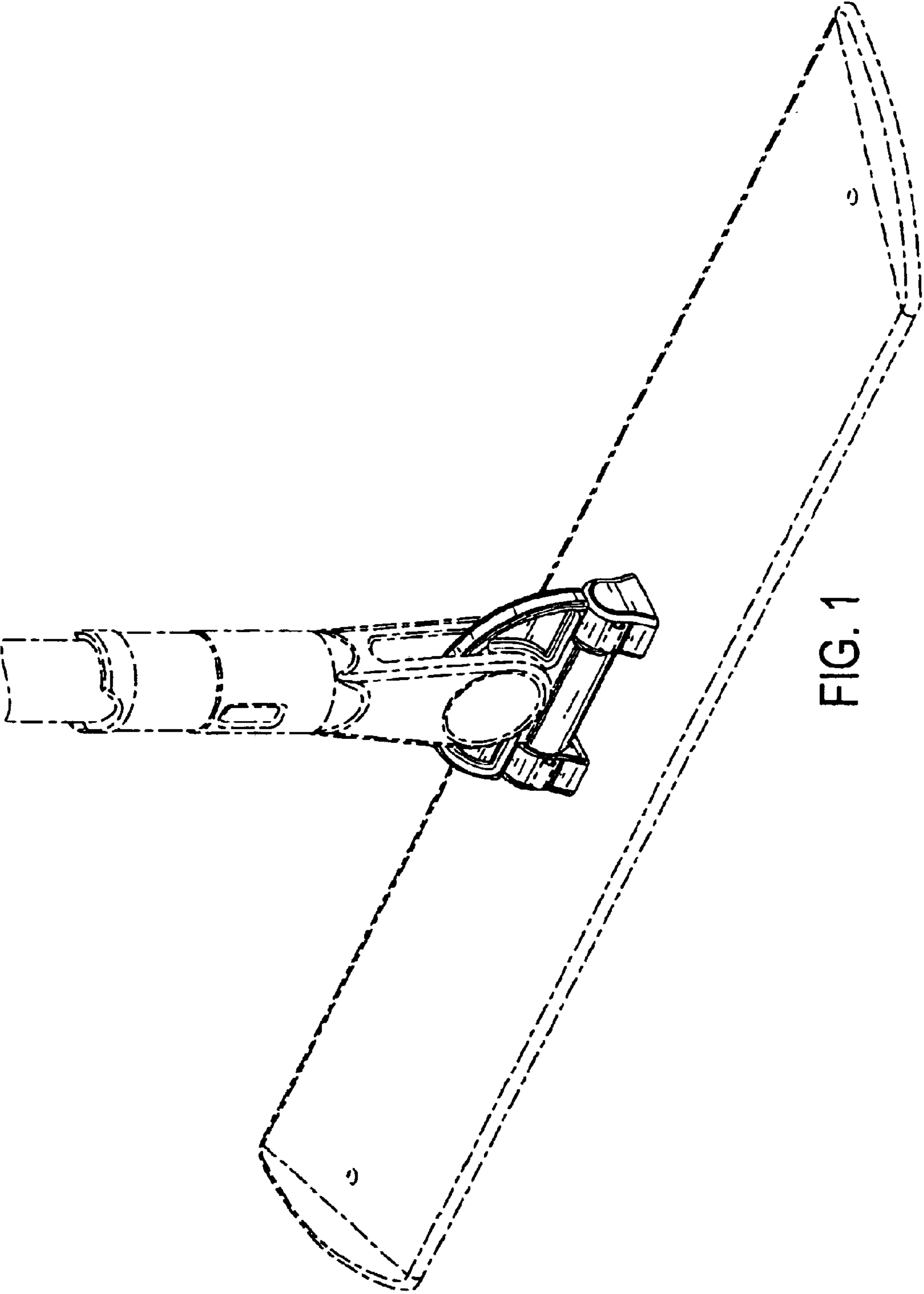


FIG. 1

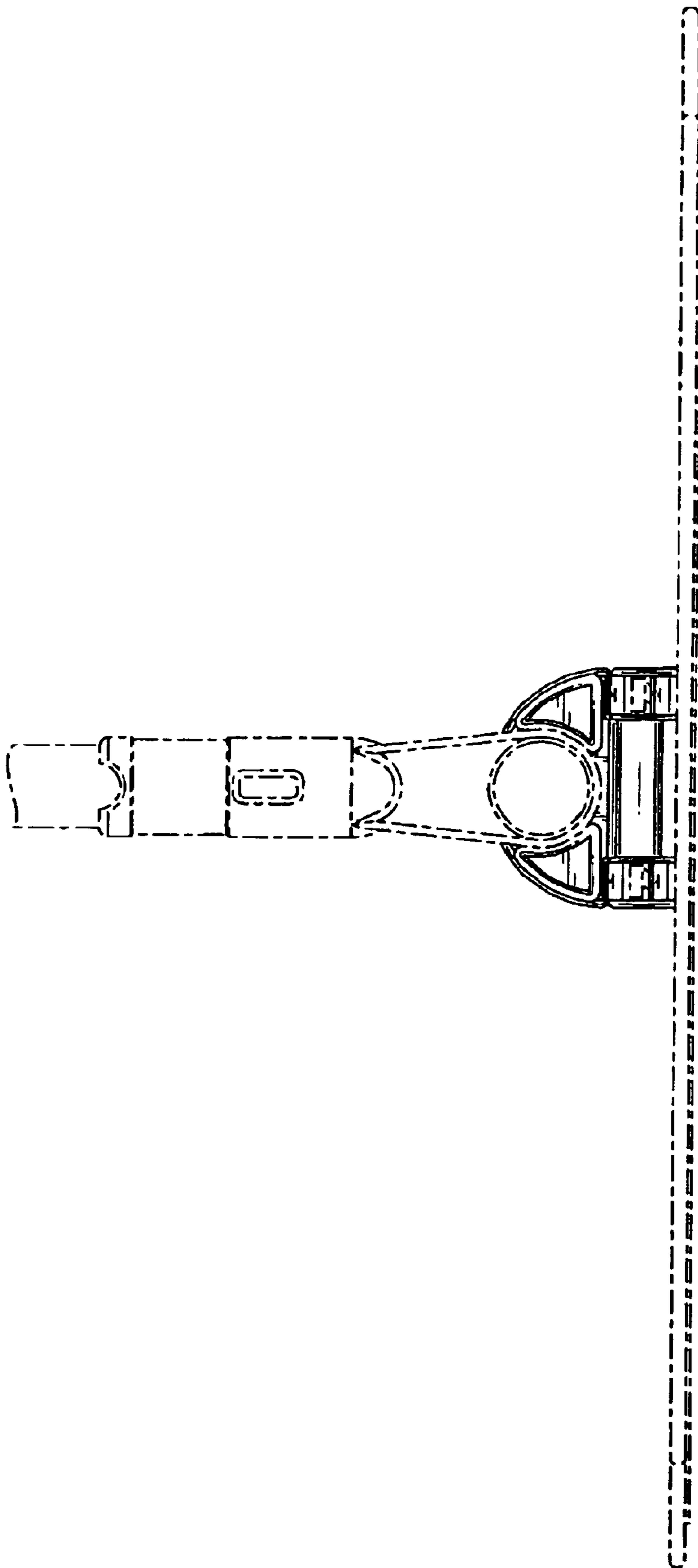


FIG. 2

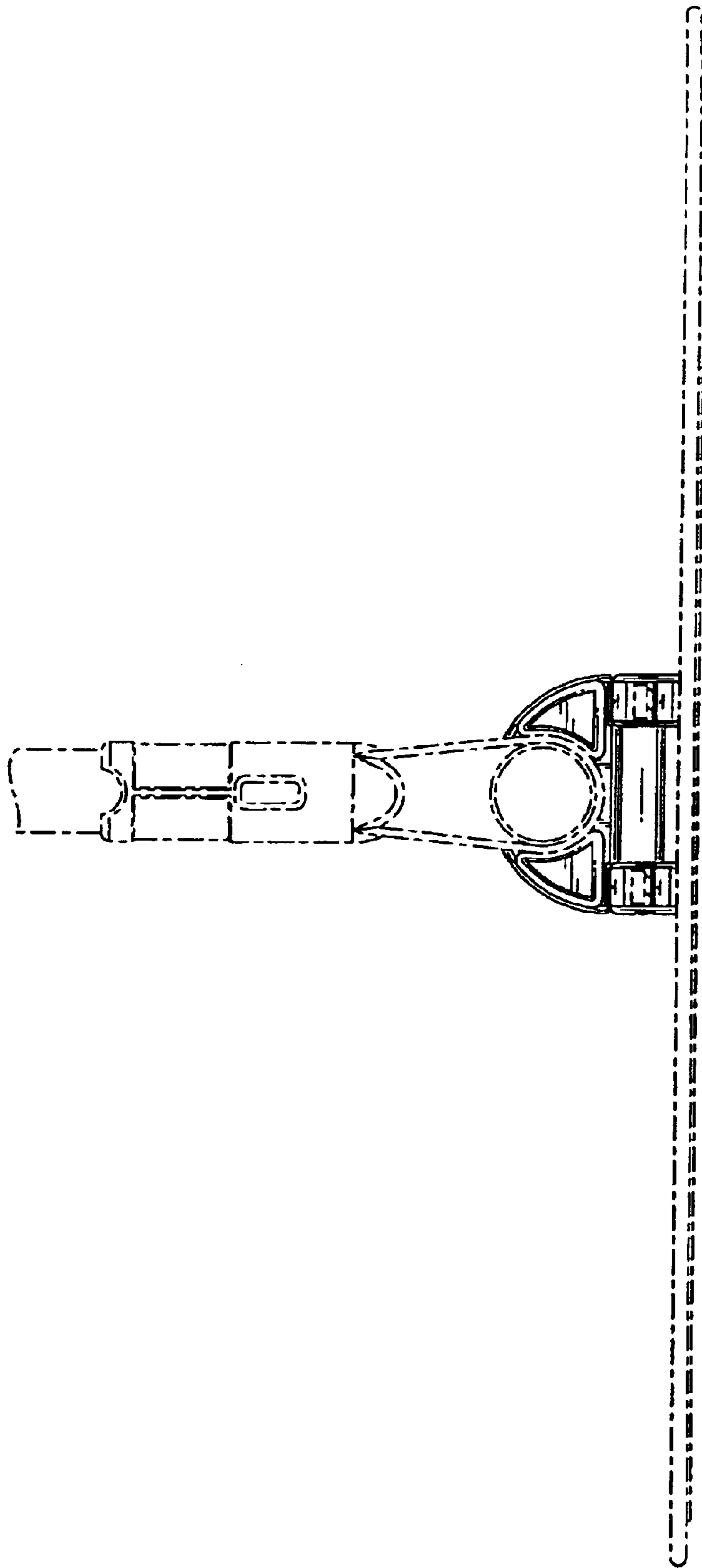


FIG. 3

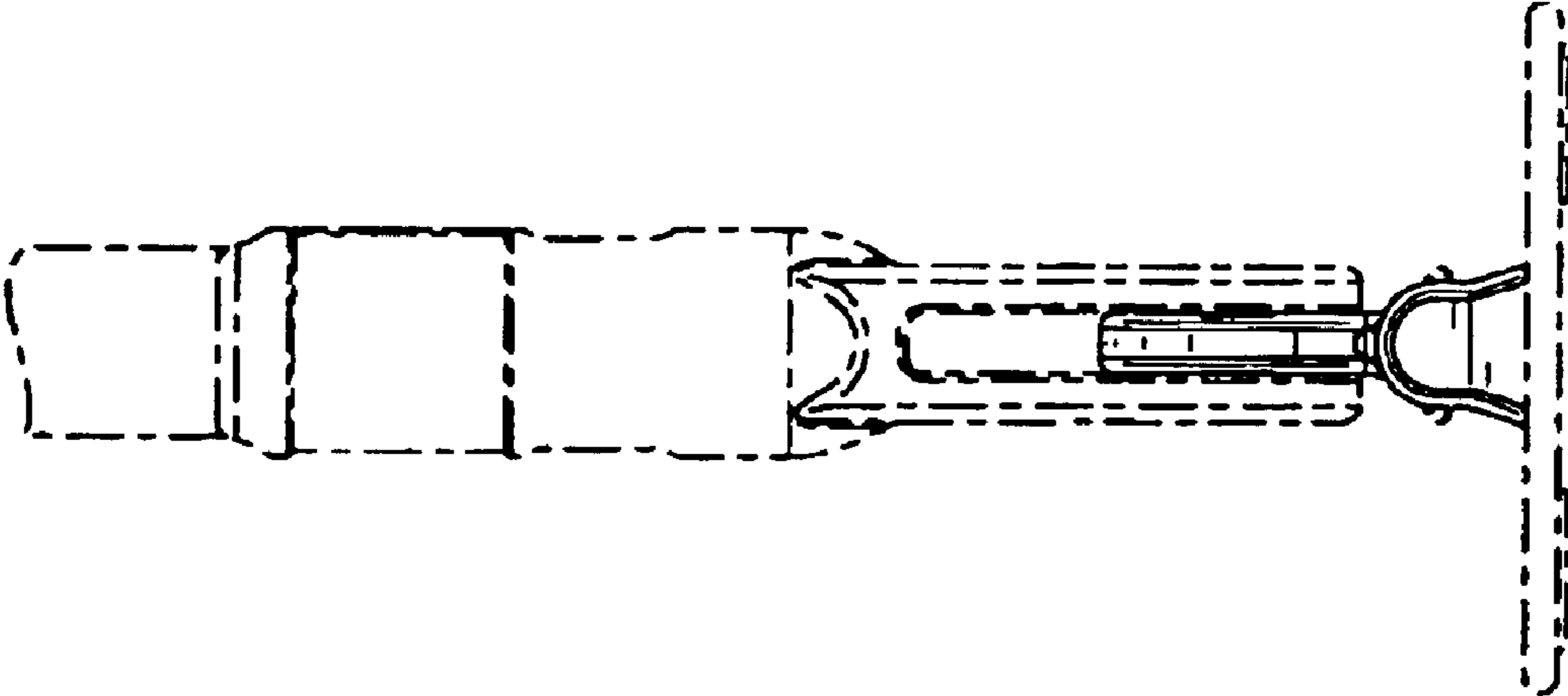


FIG. 5

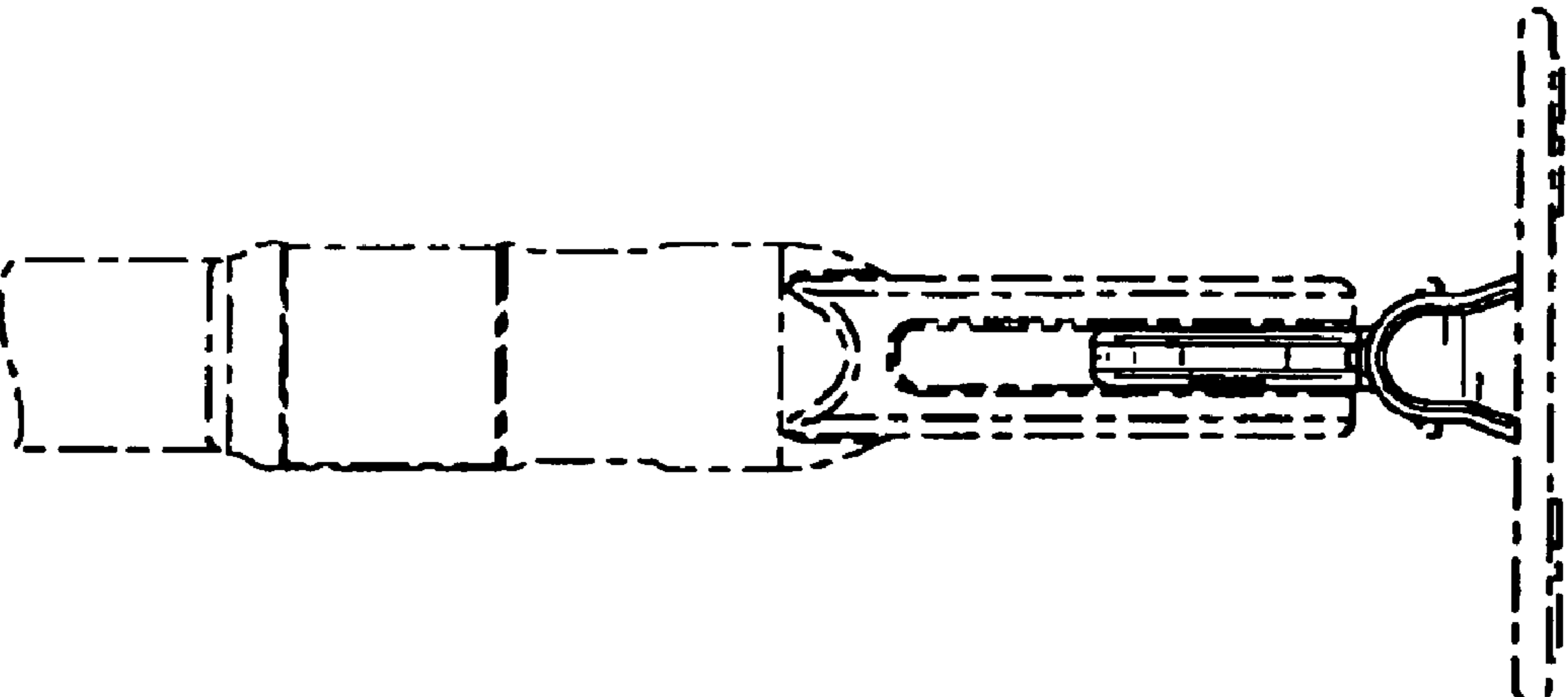


FIG. 4

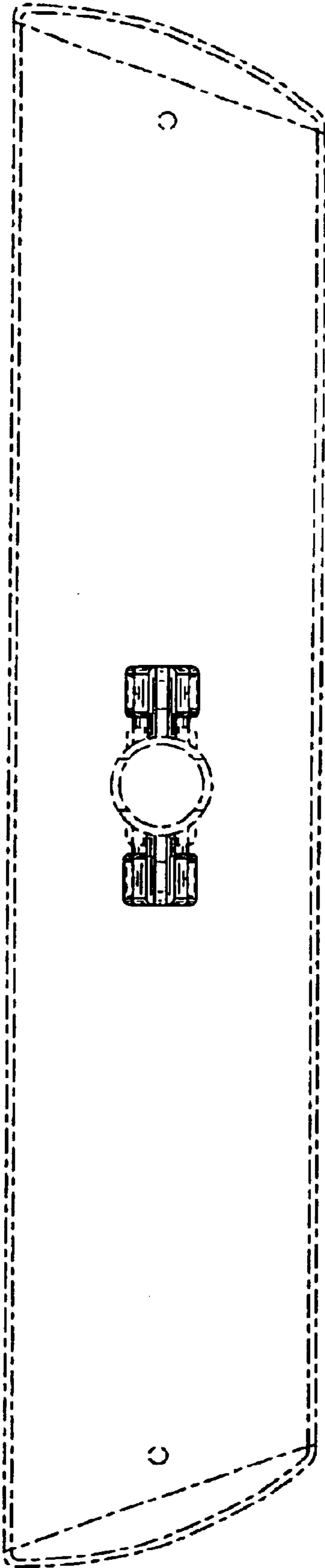


FIG. 6

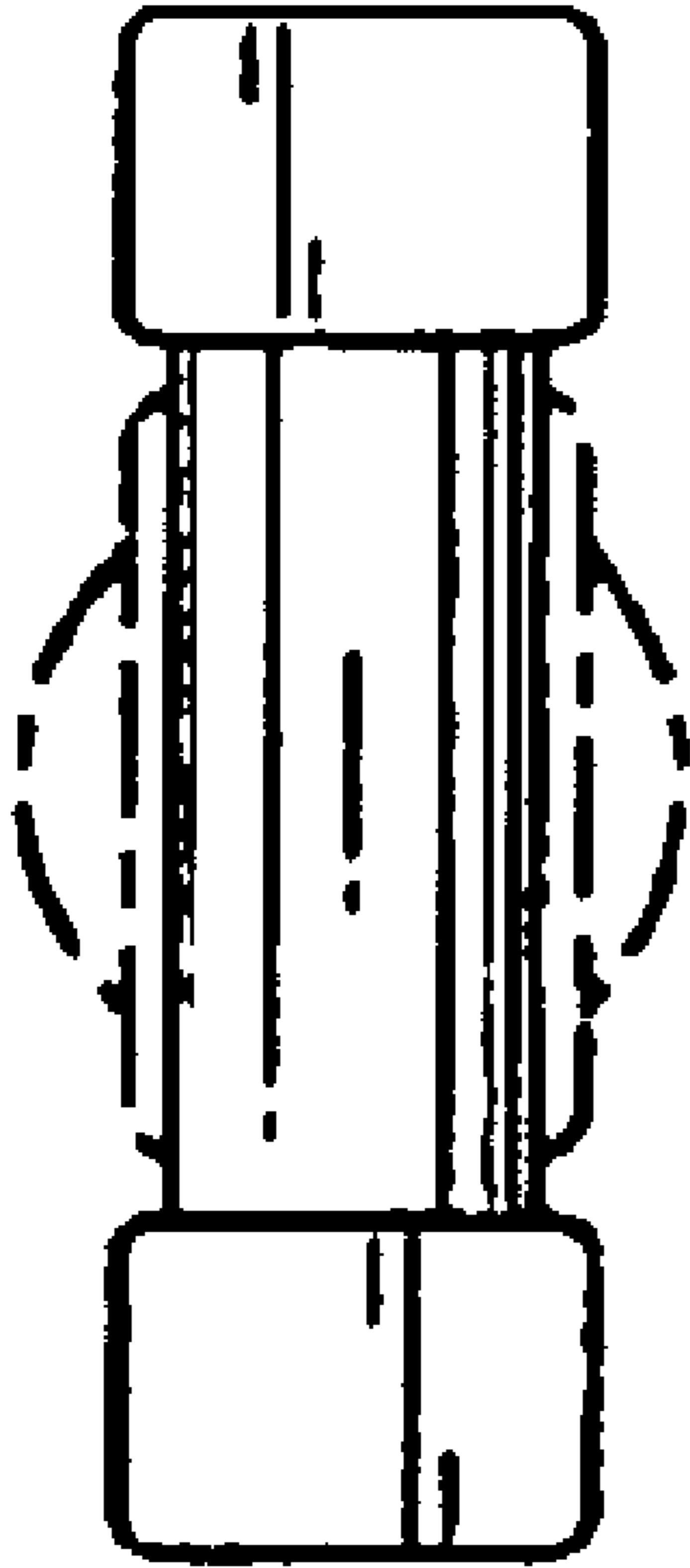


FIG. 7

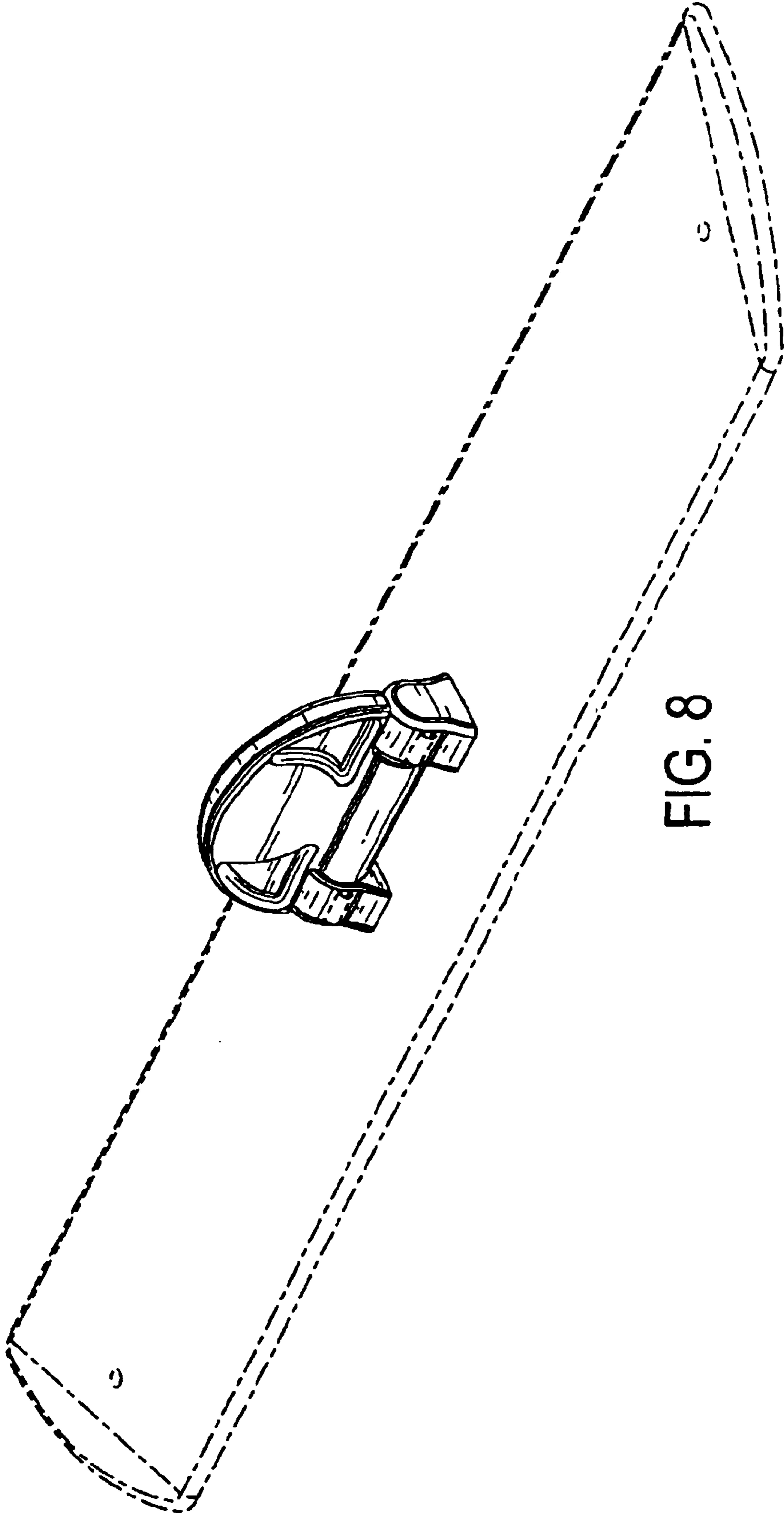


FIG. 8