



US00D533355S

(12) **United States Design Patent**
Rusk

(10) **Patent No.:** **US D533,355 S**

(45) **Date of Patent:** **** Dec. 12, 2006**

(54) **HAIRSTYLING TOOL**

(75) Inventor: **Rita Rusk**, Glasgow (GB)

(73) Assignee: **Rita Rusk Innovations**, Glasgow (GB)

(**) Term: **14 Years**

(21) Appl. No.: **29/239,399**

(22) Filed: **Sep. 29, 2005**

(30) **Foreign Application Priority Data**

Apr. 28, 2005 (EM) 000337373-0001

(51) **LOC (8) Cl.** **04-02**

(52) **U.S. Cl.** **D4/132; D4/136; D28/28**

(58) **Field of Classification Search** D4/127,
D4/129, 130, 132, 135, 136, 138; D24/200,
D24/211, 213, 214; D28/10, 20, 28, 31, 63;
15/159.1, 160, 186-188, 207.2; 132/107,
132/120, 121, 141, 142, 157, 159, 160, 212,
132/271, 313, 901; 601/134-137

See application file for complete search history.

(56) **References Cited**

U.S. PATENT DOCUMENTS

D99,485 S * 4/1936 Weber D4/127
2,607,064 A * 8/1952 Sullivan et al. 15/187
2,783,763 A 3/1957 King 132/237
3,257,541 A 6/1966 Jorgensen 219/222
3,747,610 A 7/1973 Serrat 132/268
D260,949 S * 9/1981 Megna D4/136

5,191,907 A 3/1993 Hirzel 132/107
6,575,174 B1 * 6/2003 Lee 132/160
2005/0251071 A1 * 11/2005 Zhadanov et al. 601/136

FOREIGN PATENT DOCUMENTS

EP 0 806 159 A1 12/1997
FR 1002078 3/1952
JP 04215753 A * 8/1992
JP 10313947 A * 12/1998

* cited by examiner

Primary Examiner—M. H. Tung

Assistant Examiner—Lavone D. Tabor

(74) *Attorney, Agent, or Firm*—Gifford, Krass, Groh,
Sprinkle, Anderson & Citkowski, P.C.

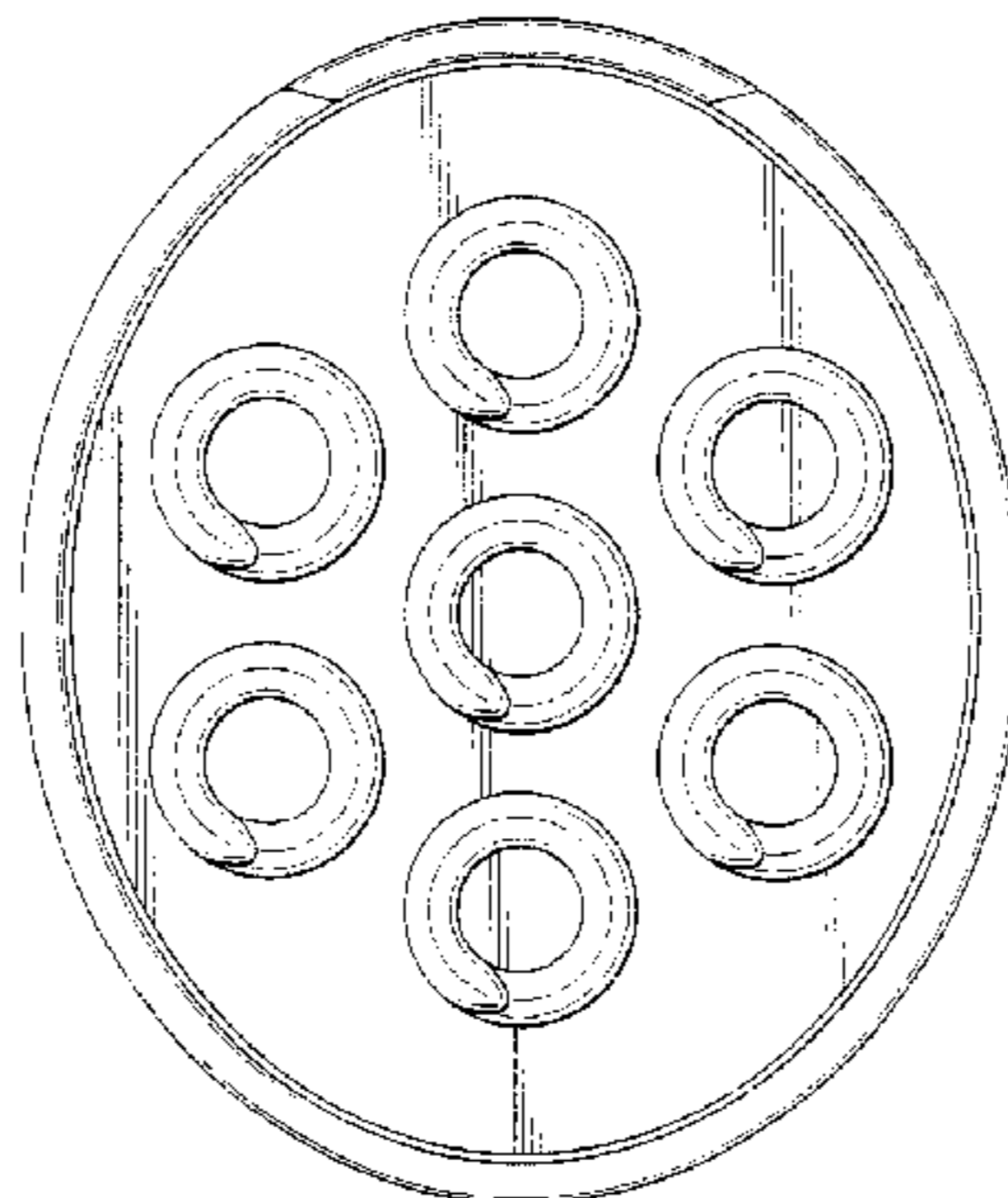
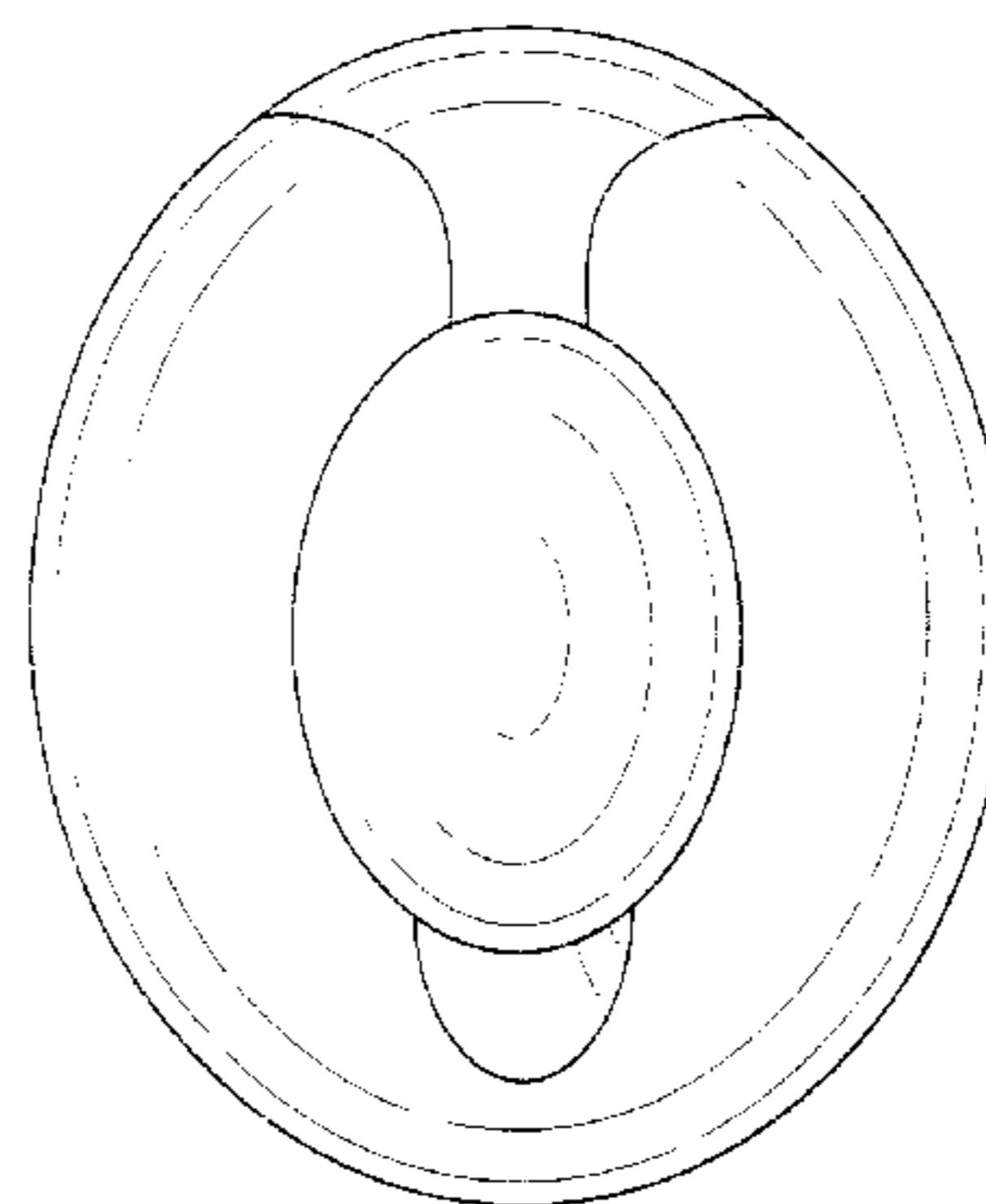
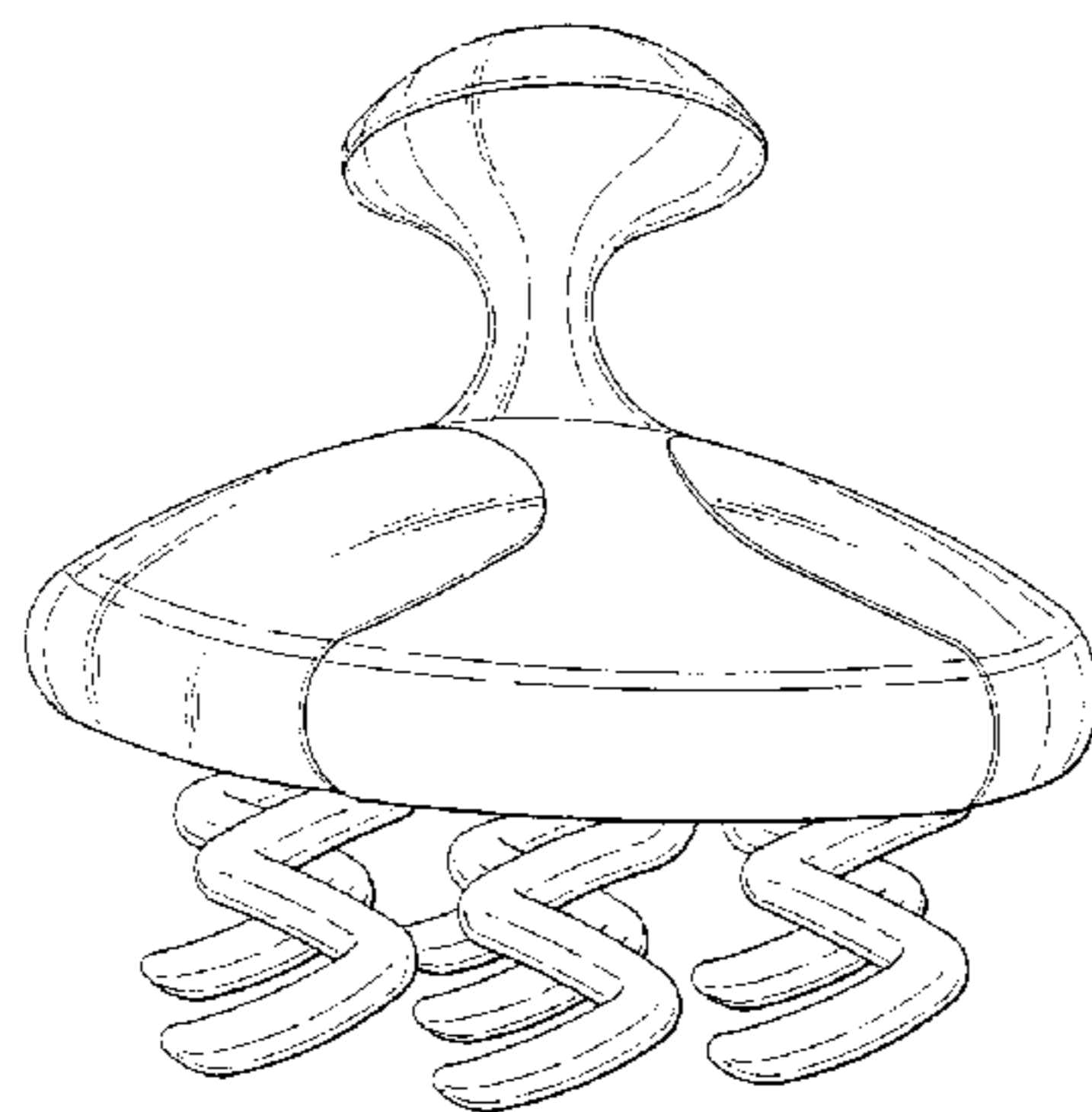
(57) **CLAIM**

I claim the ornamental design for a hairstyling tool, as shown.

DESCRIPTION

FIG. 1 is a front elevation view of a hairstyling tool of the present invention showing the ornamental features thereof; FIG. 2 is a rear view of the hairstyling tool of FIG. 1; FIG. 3 is a top view of the hairstyling tool of FIG. 1; FIG. 4 is a bottom view of the hairstyling tool of FIG. 1; FIG. 5 is a right side view of the hairstyling tool of FIG. 1; FIG. 6 is a left side view of the hairstyling tool of FIG. 1; and, FIG. 7 is a perspective view of the hairstyling tool of FIG. 1.

1 Claim, 4 Drawing Sheets



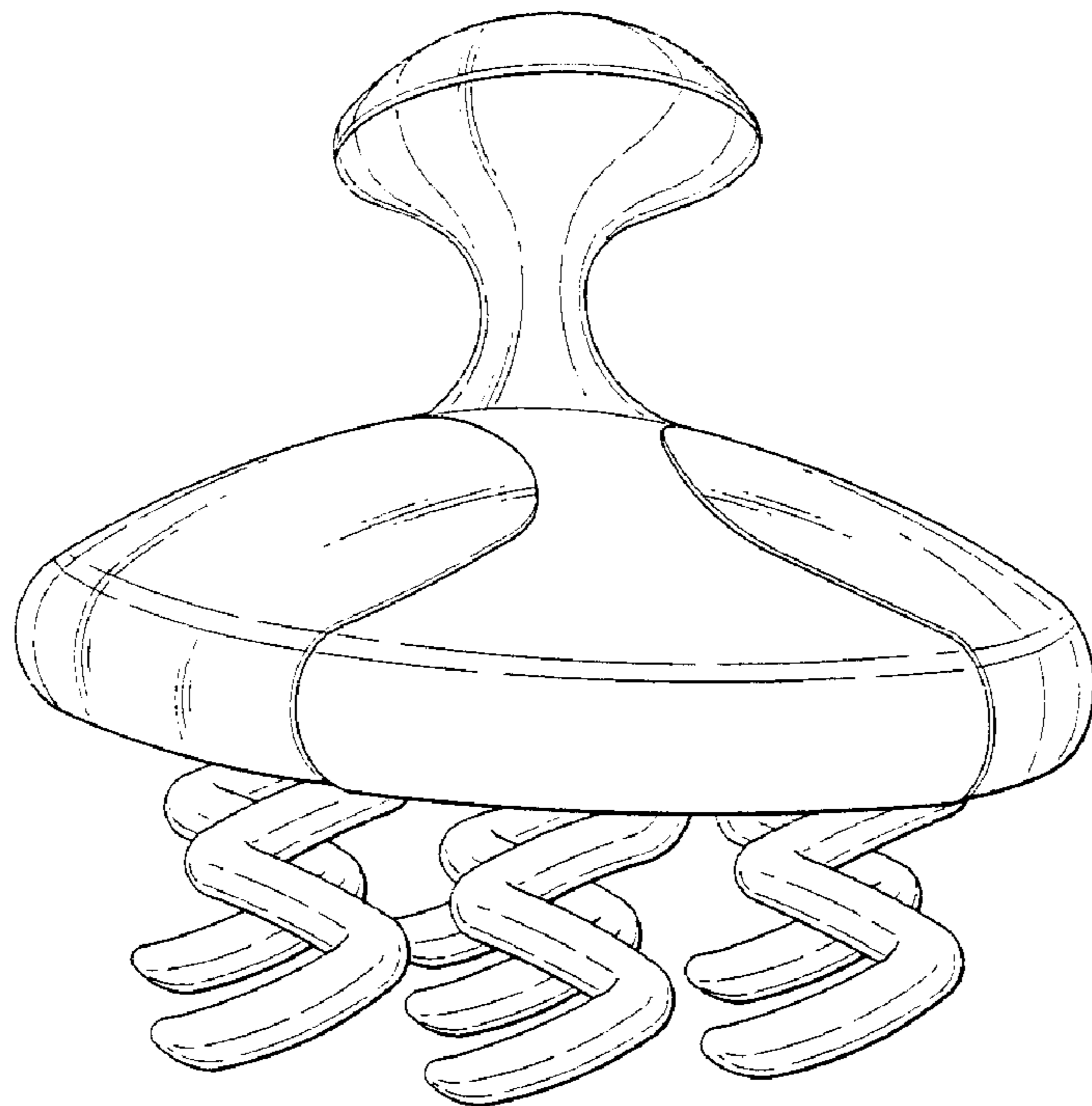


Fig. 1

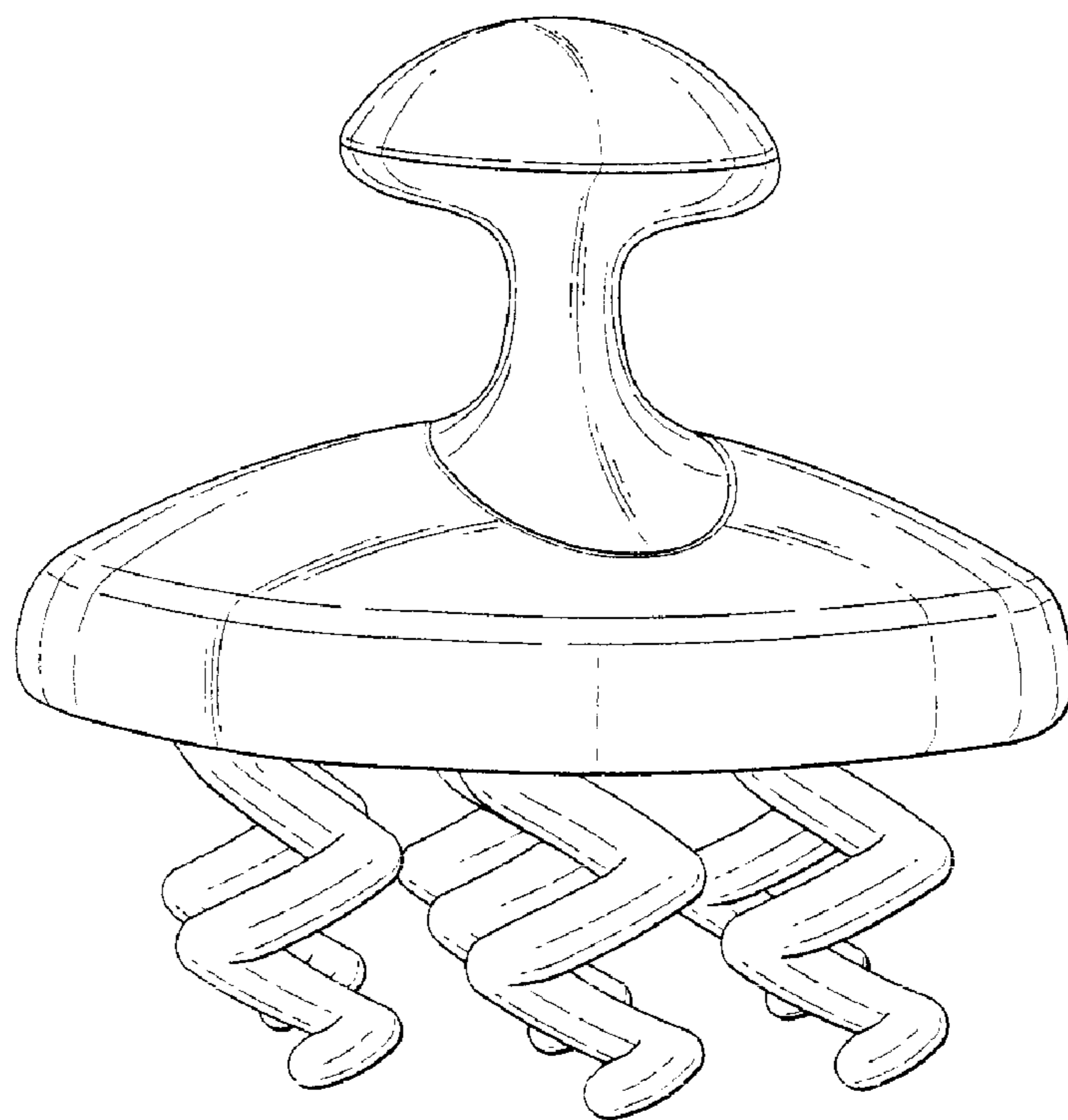


Fig. 2

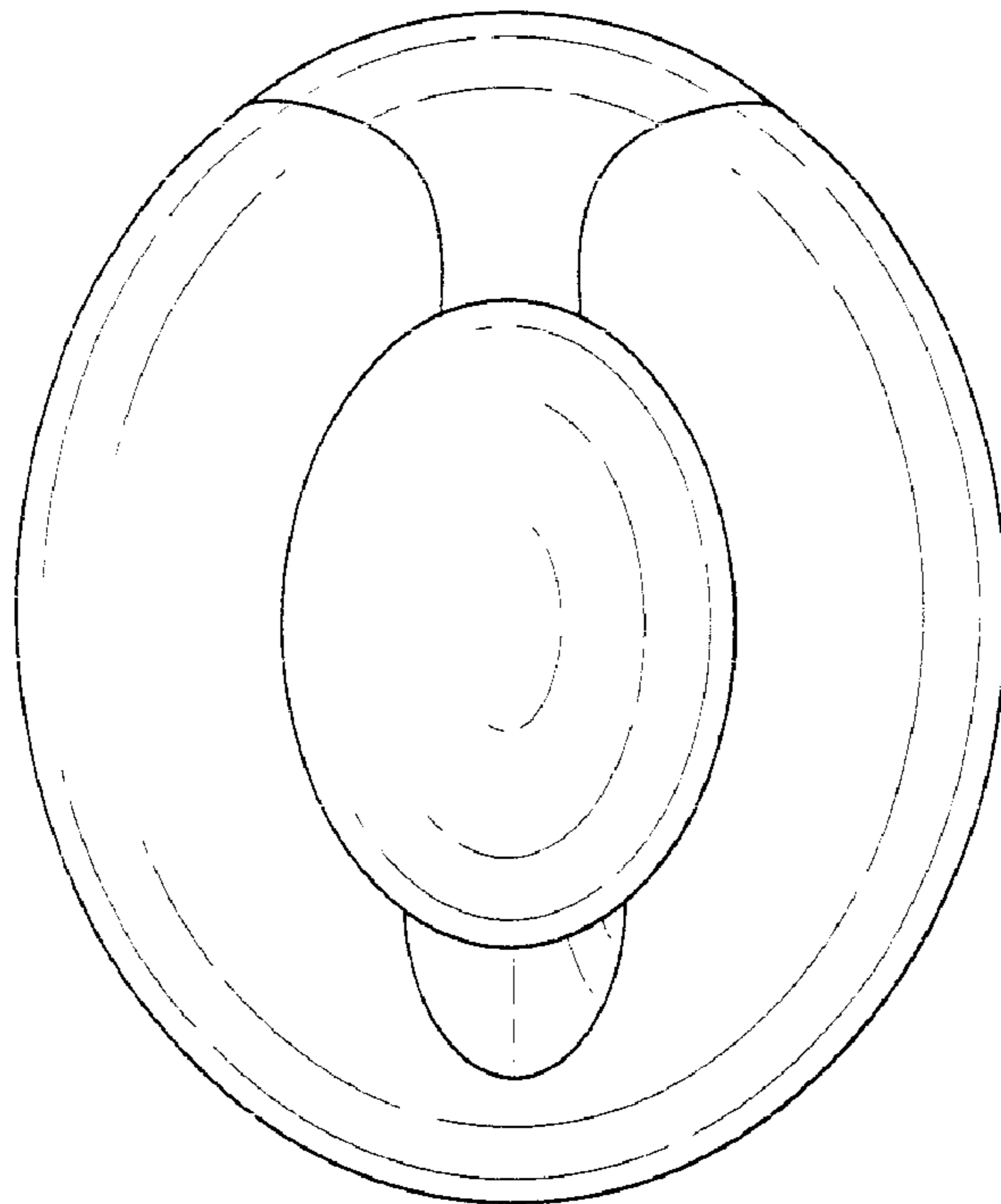


Fig.3

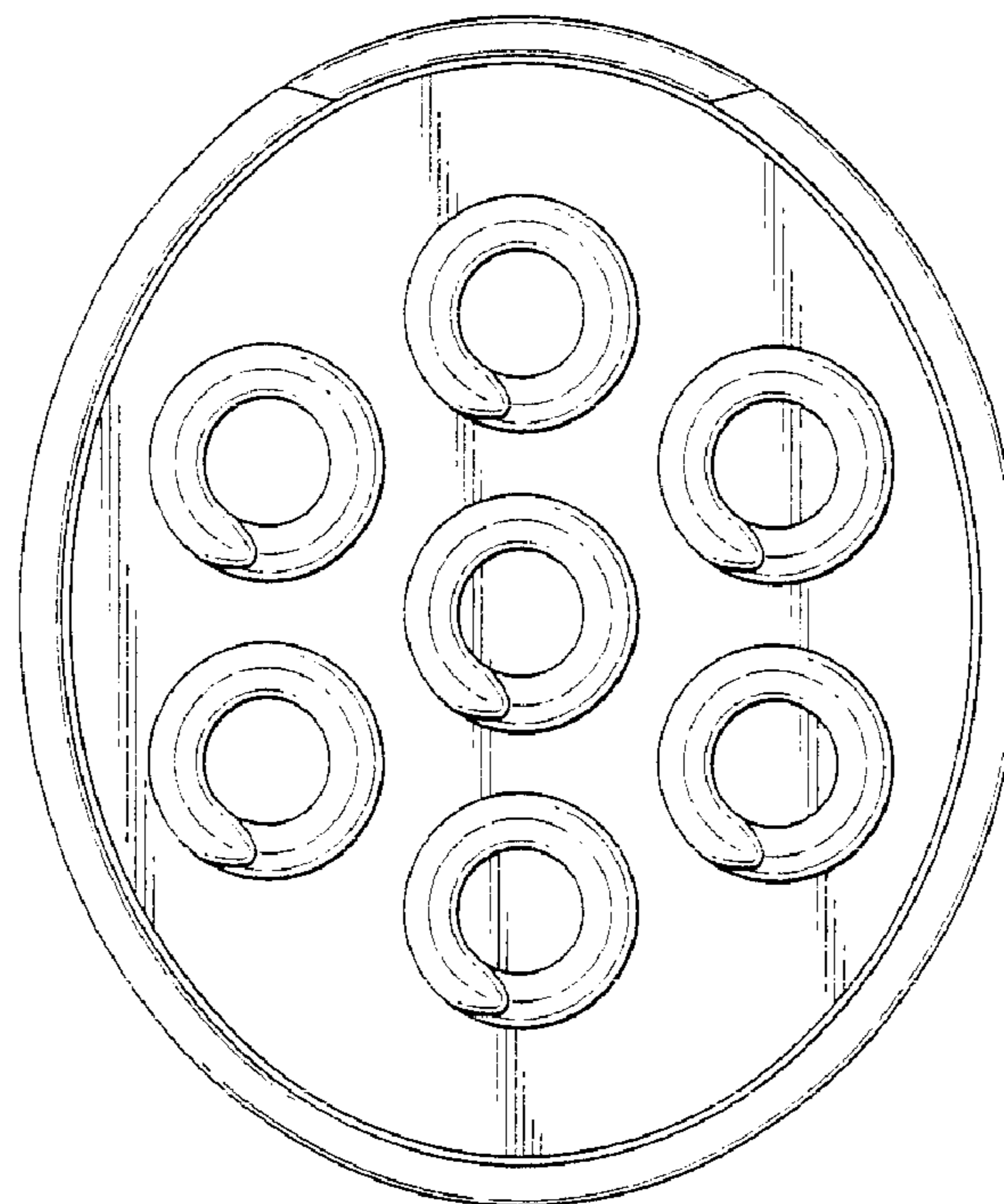


Fig.4

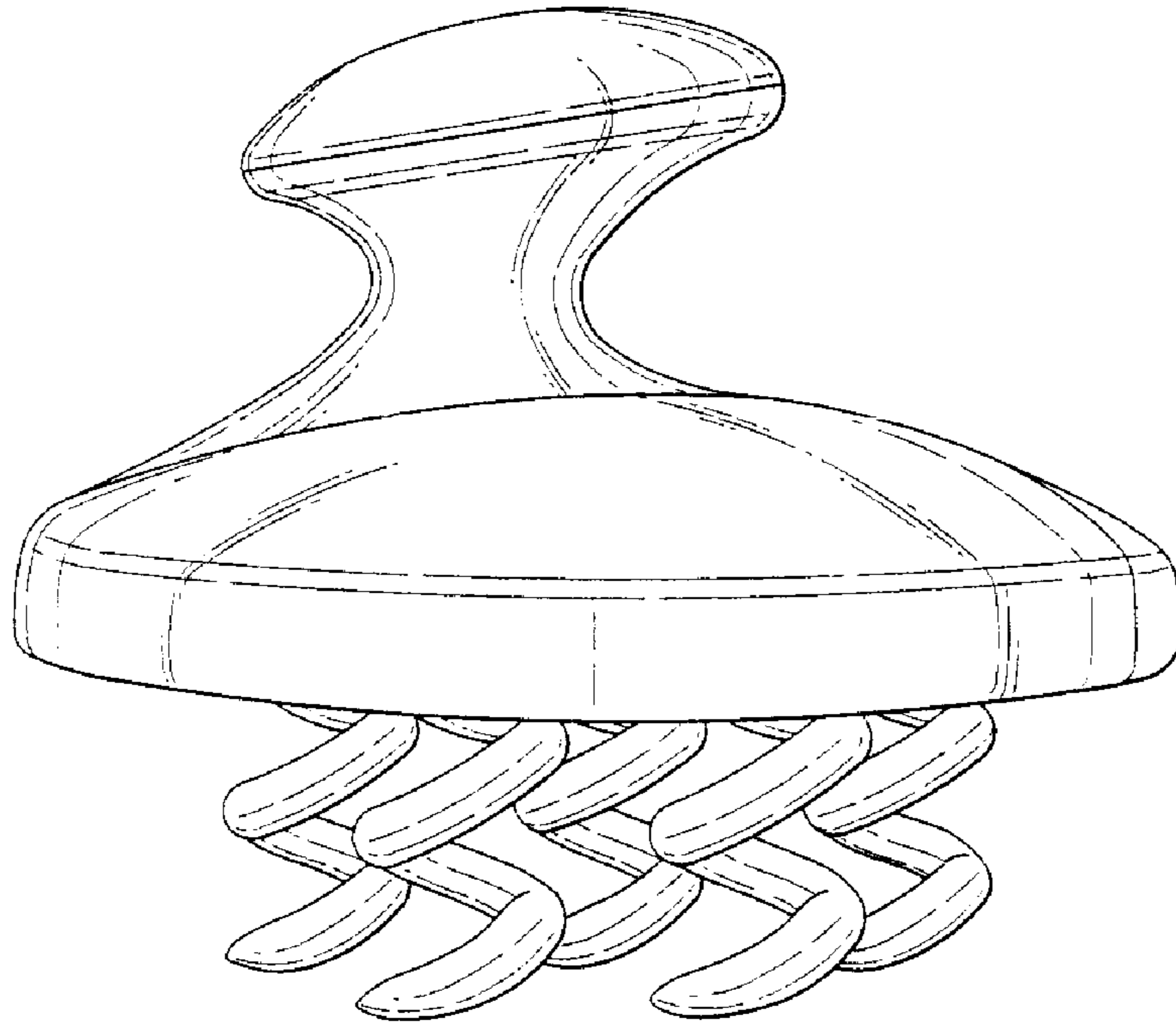


Fig.5

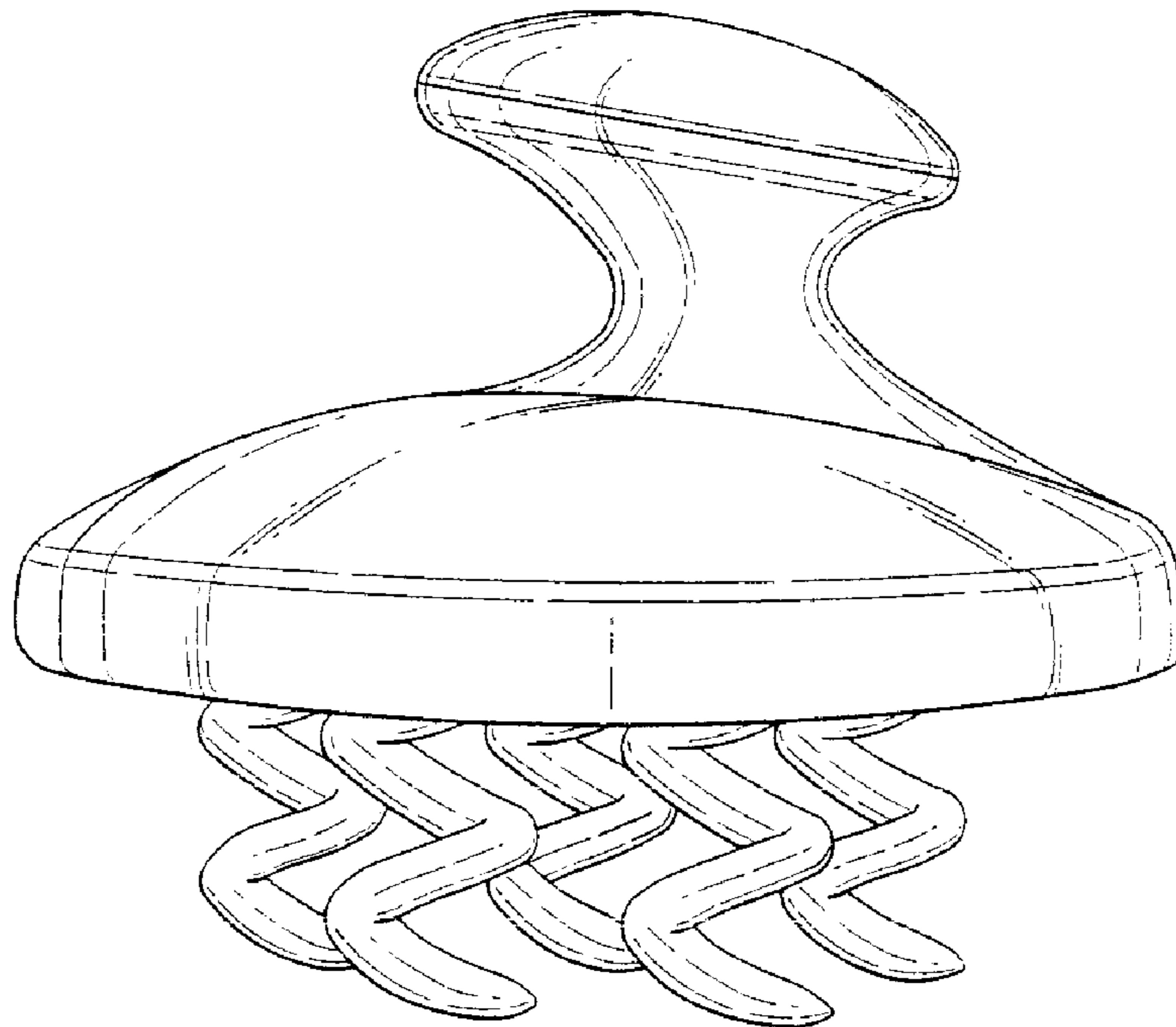


Fig.6

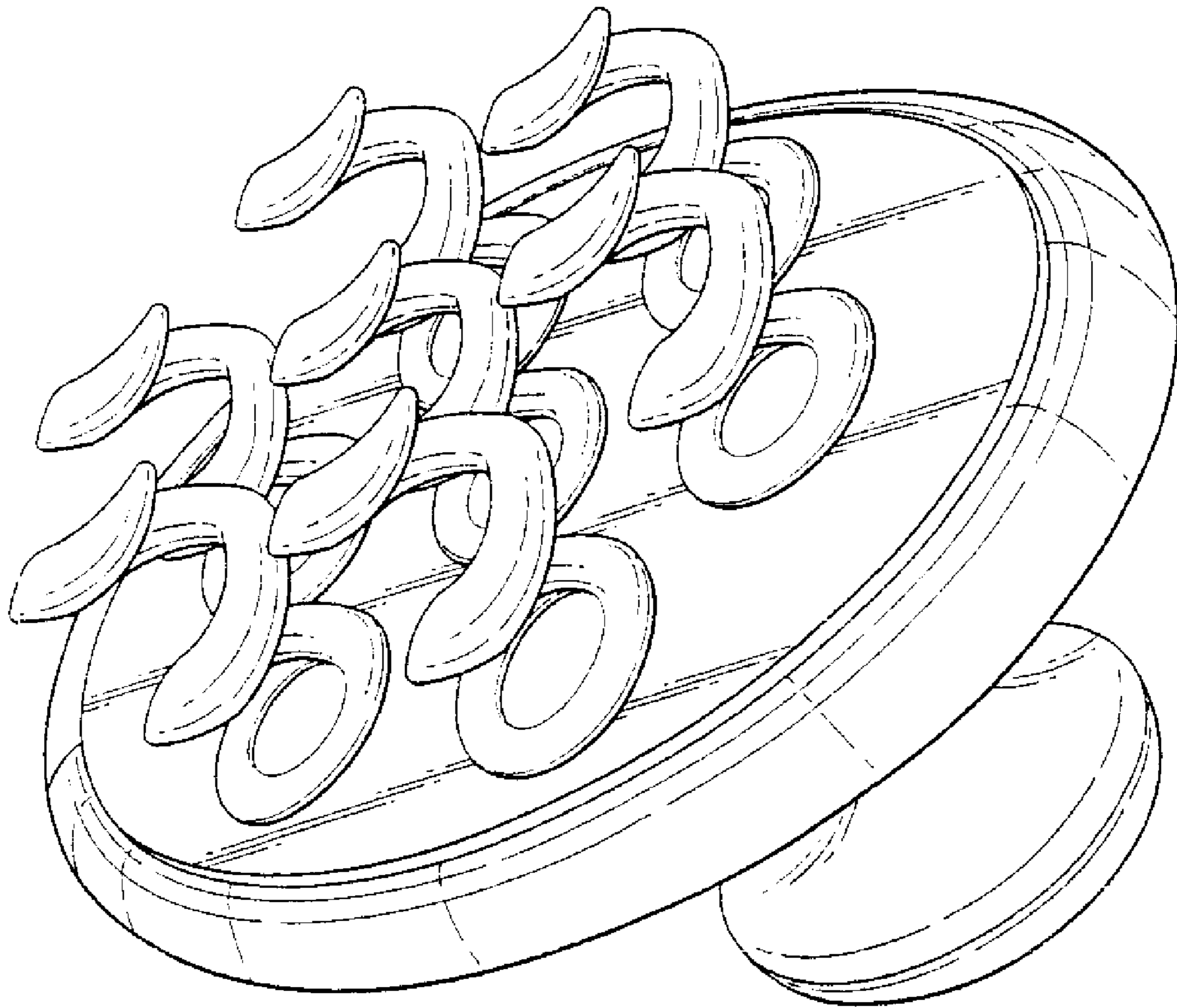


Fig.7