



US00D533348S

(12) **United States Design Patent** (10) **Patent No.:** **US D533,348 S**
Andre et al. (45) **Date of Patent:** **** Dec. 12, 2006**

(54) **CASE**

D417,812 S * 12/1999 Rubin D6/632
 6,367,701 B1 * 4/2002 Fries 235/486
 D476,149 S * 6/2003 Andre et al. D3/218

(75) Inventors: **Bartley K. Andre**, Menlo Park, CA (US); **Daniel J. Coster**, San Francisco, CA (US); **Daniele De Iuliis**, San Francisco, CA (US); **Richard P. Howarth**, San Francisco, CA (US); **Jonathan P. Ive**, San Francisco, CA (US); **Duncan Robert Kerr**, San Francisco, CA (US); **Shin Nishibori**, San Francisco, CA (US); **Matthew Dean Rohrbach**, San Francisco, CA (US); **Douglas B. Satzger**, Menlo Park, CA (US); **Calvin Q. Seid**, Palo Alto, CA (US); **Christopher J. Stringer**, Portola Valley, CA (US); **Eugene Antony Whang**, San Francisco, CA (US); **Rico Zorkendorfer**, San Francisco, CA (US)

* cited by examiner

Primary Examiner—Louis S. Zarfes
Assistant Examiner—Kathleen Sims
 (74) *Attorney, Agent, or Firm*—Beyer Weaver & Thomas, LLP

(57) **CLAIM**

We claim the ornamental design for a case, as shown and described.

DESCRIPTION

FIG. 1 is a perspective view of a case in accordance with the present design.

FIG. 2 is a front view for the case.

FIG. 3 is a rear view for the case.

FIG. 4 is a top view for the case.

FIG. 5 is a bottom view for the case.

FIG. 6 is another top view for the case.

FIG. 7 is another bottom view for the case.

FIG. 8 is a right side view for the case.

FIG. 9 is a left side view for the case.

FIG. 10 is a front view of an electronic device being inserted into the case; and,

FIG. 11 is a front view of the case with an electronic device inserted therein.

The longer broken lines shown in FIGS. 1–11 represent stitching.

The broken line showing is for illustrative purposes only and forms no part of the claimed design.

(73) Assignee: **Apple Computer, Inc.**, Cupertino, CA (US)

(**) Term: **14 Years**

(21) Appl. No.: **29/240,044**

(22) Filed: **Oct. 7, 2005**

(51) **LOC (8) Cl.** **03-01**

(52) **U.S. Cl.** **D3/303**

(58) **Field of Classification Search** D3/225,
 D3/230, 303, 315, 205, 206, 215, 218, 226,
 D3/227, 228, 273, 210–212, 224, 247, 249,
 D3/201, 905, 299; 224/240, 901, 904; D24/138,
 D24/248, 251, 153

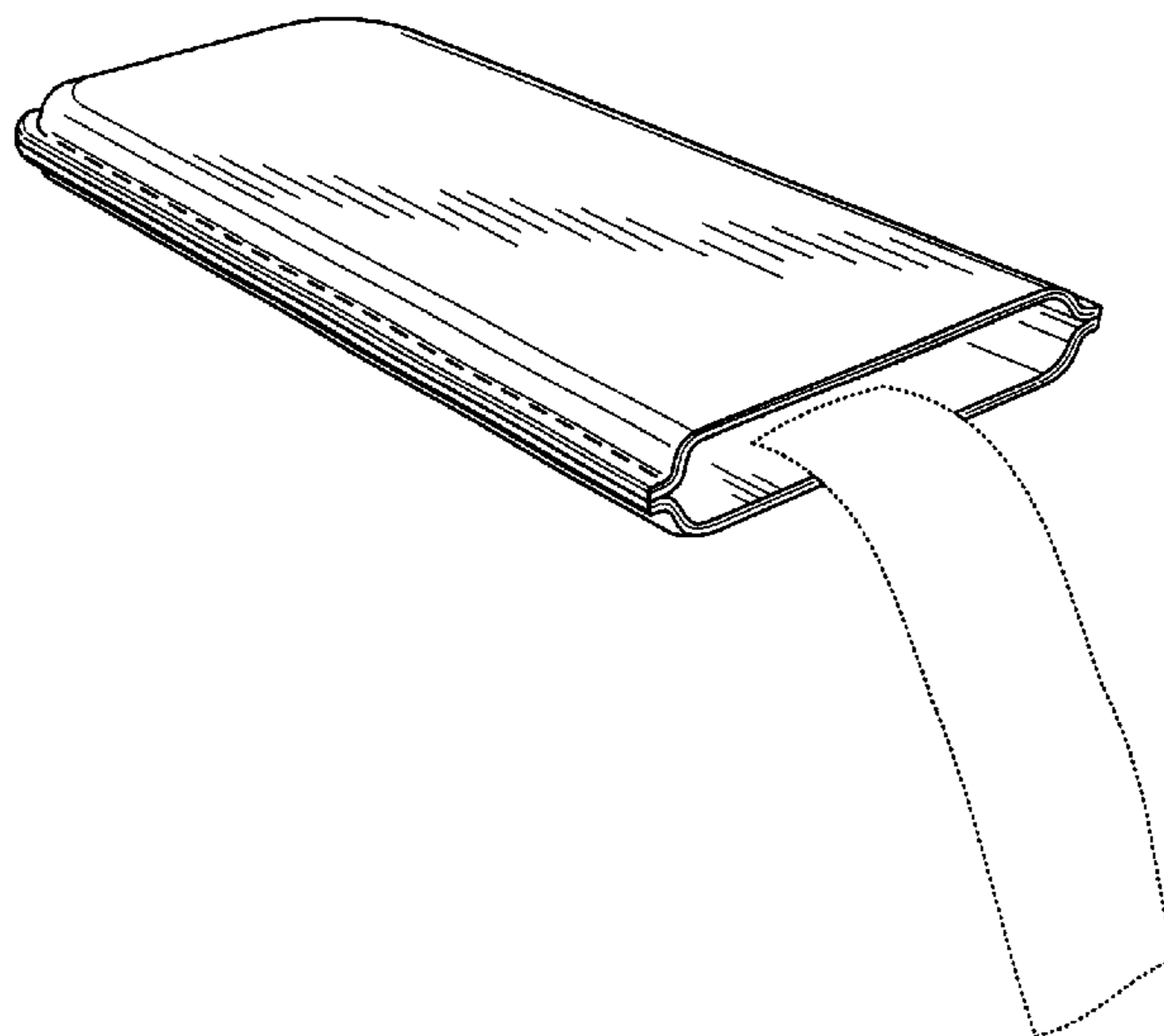
See application file for complete search history.

(56) **References Cited**

U.S. PATENT DOCUMENTS

D372,145 S * 7/1996 Elmer D6/475

1 Claim, 4 Drawing Sheets



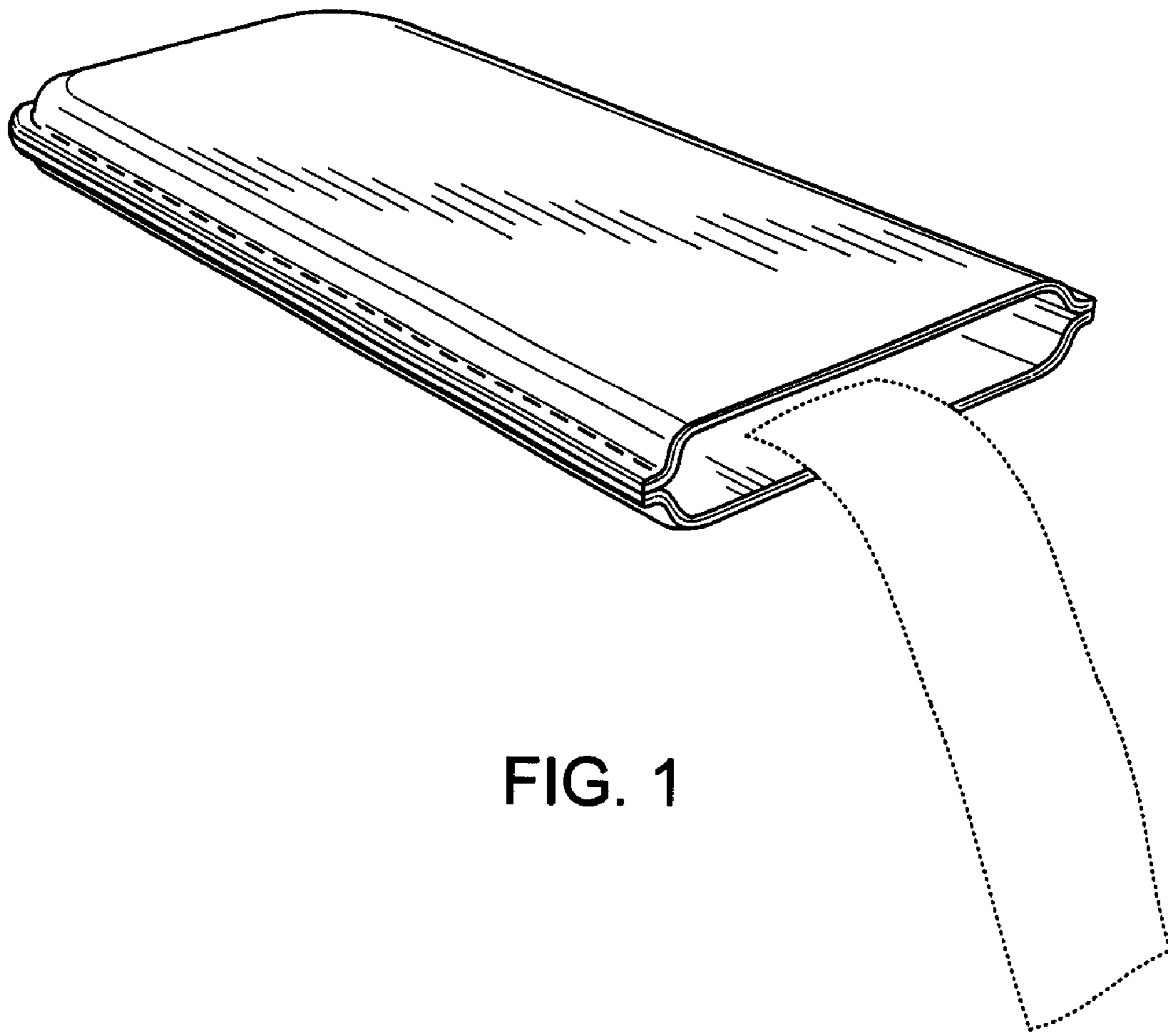


FIG. 1

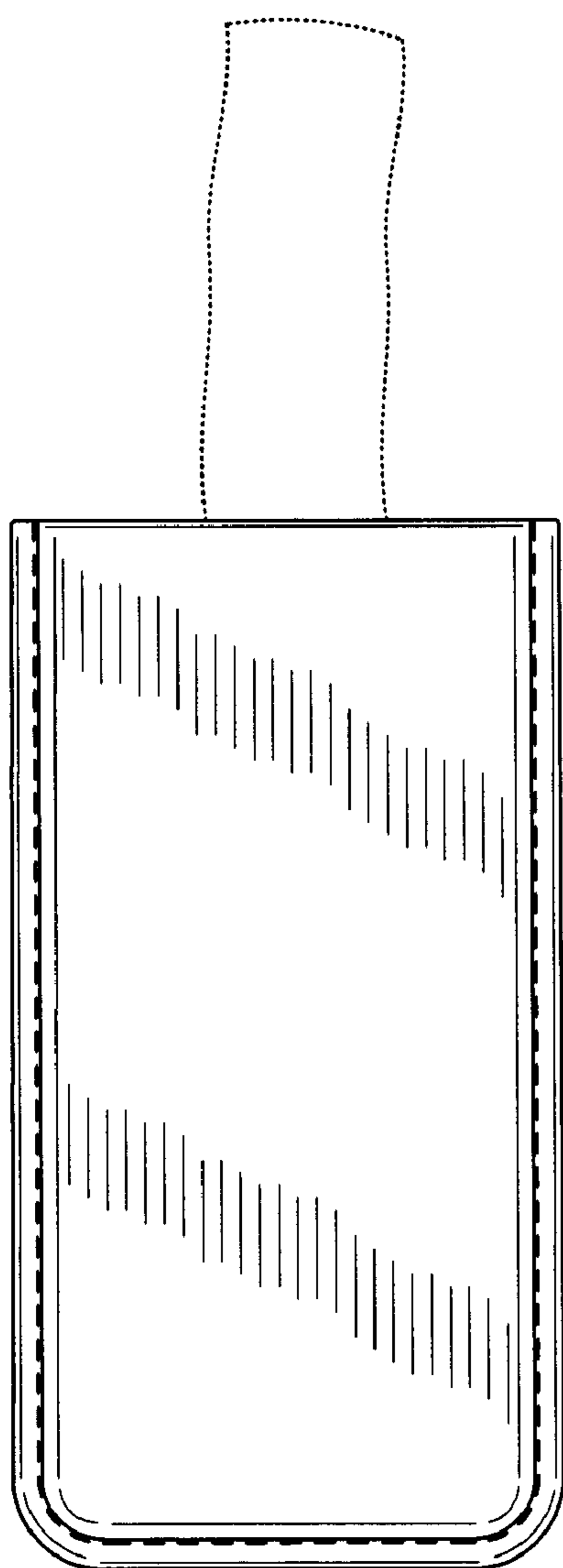


FIG. 2

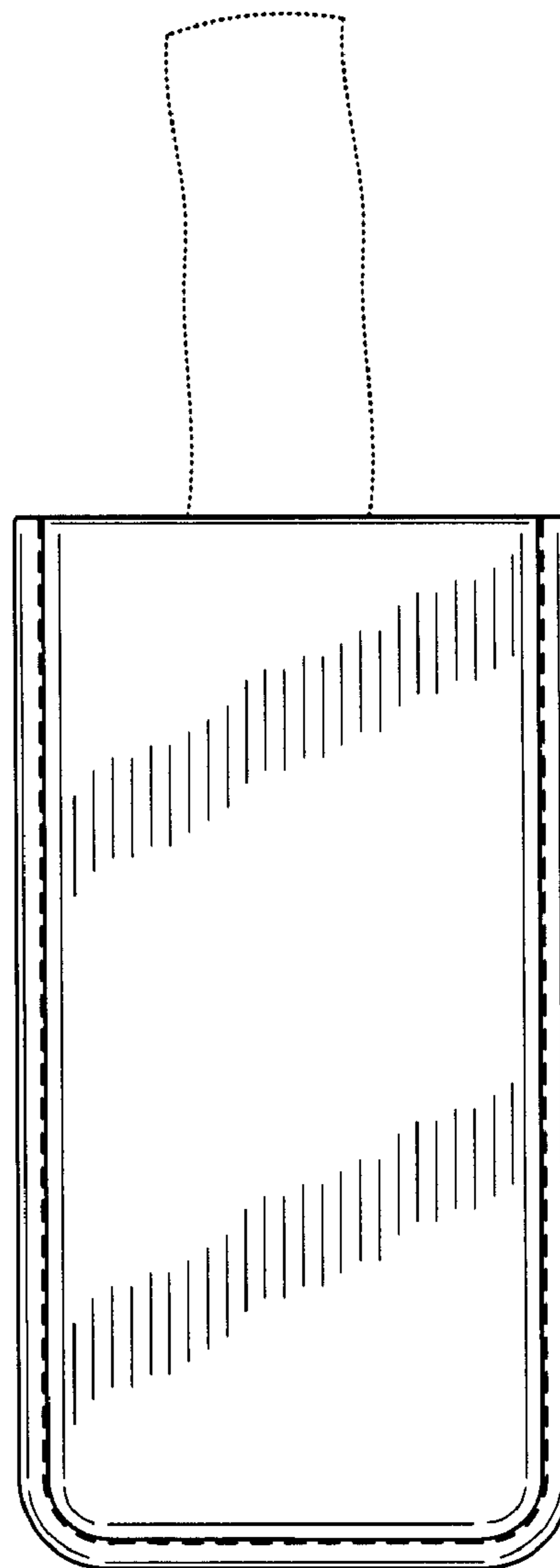


FIG. 3

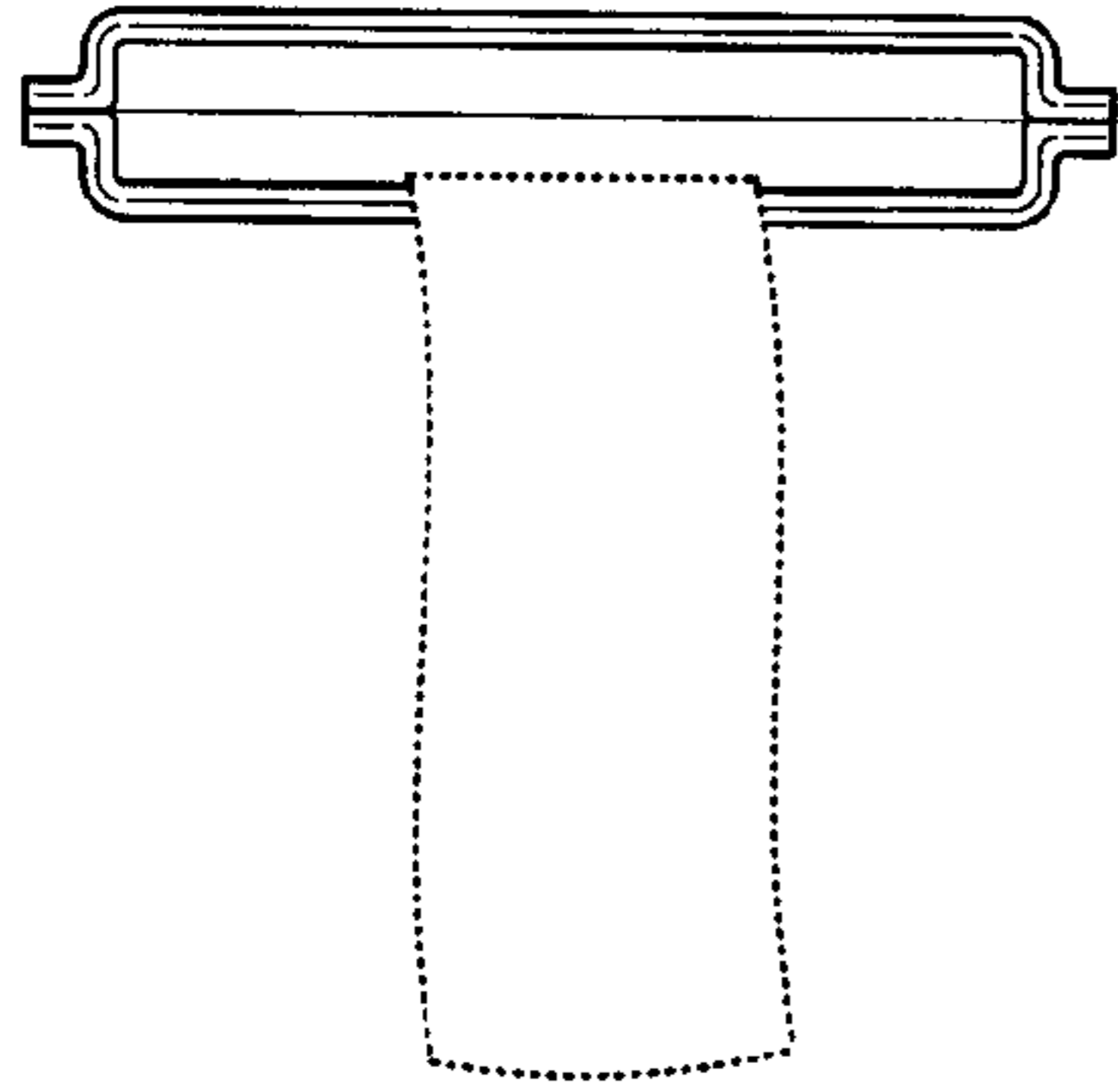


FIG. 4

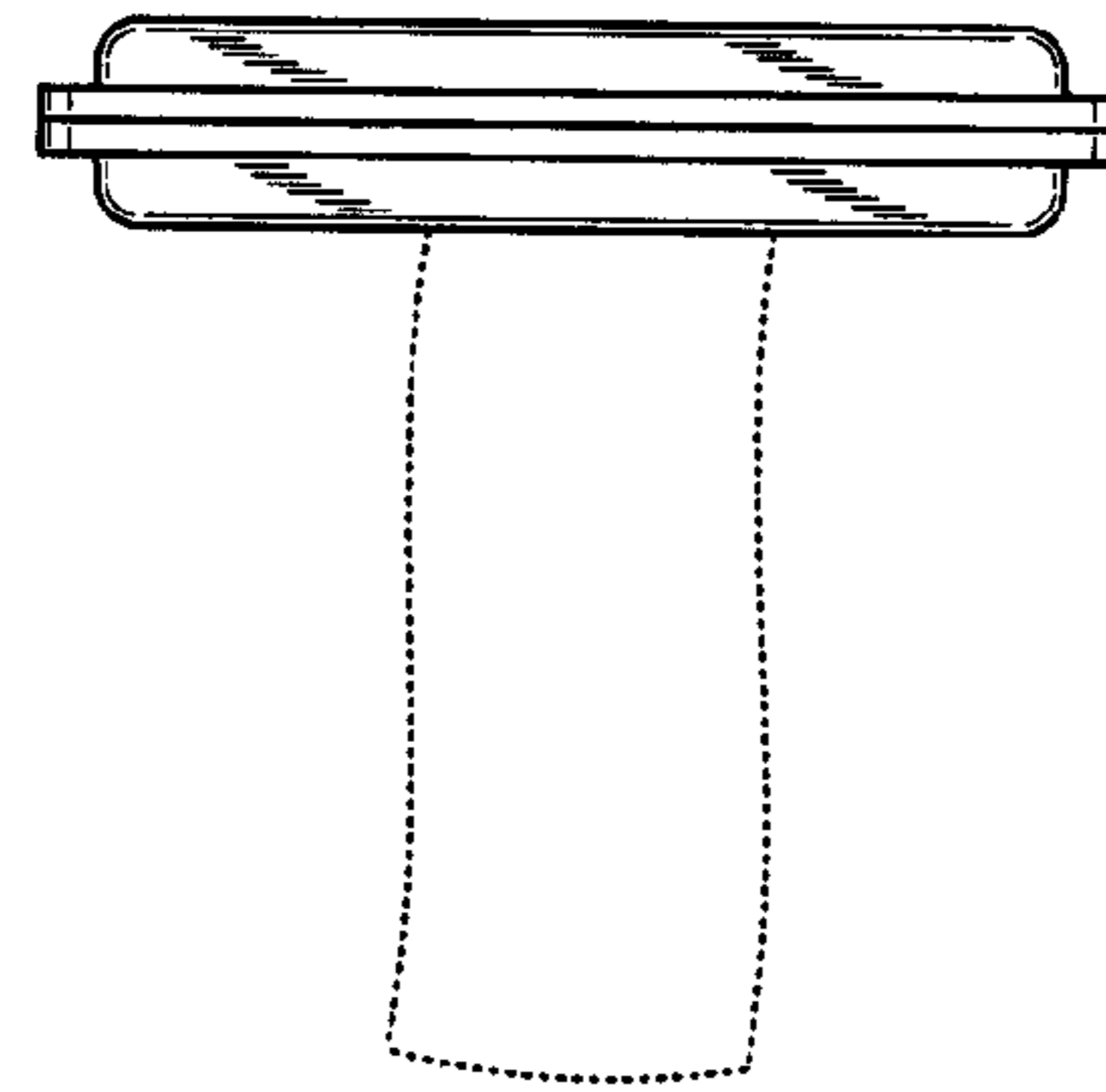


FIG. 5

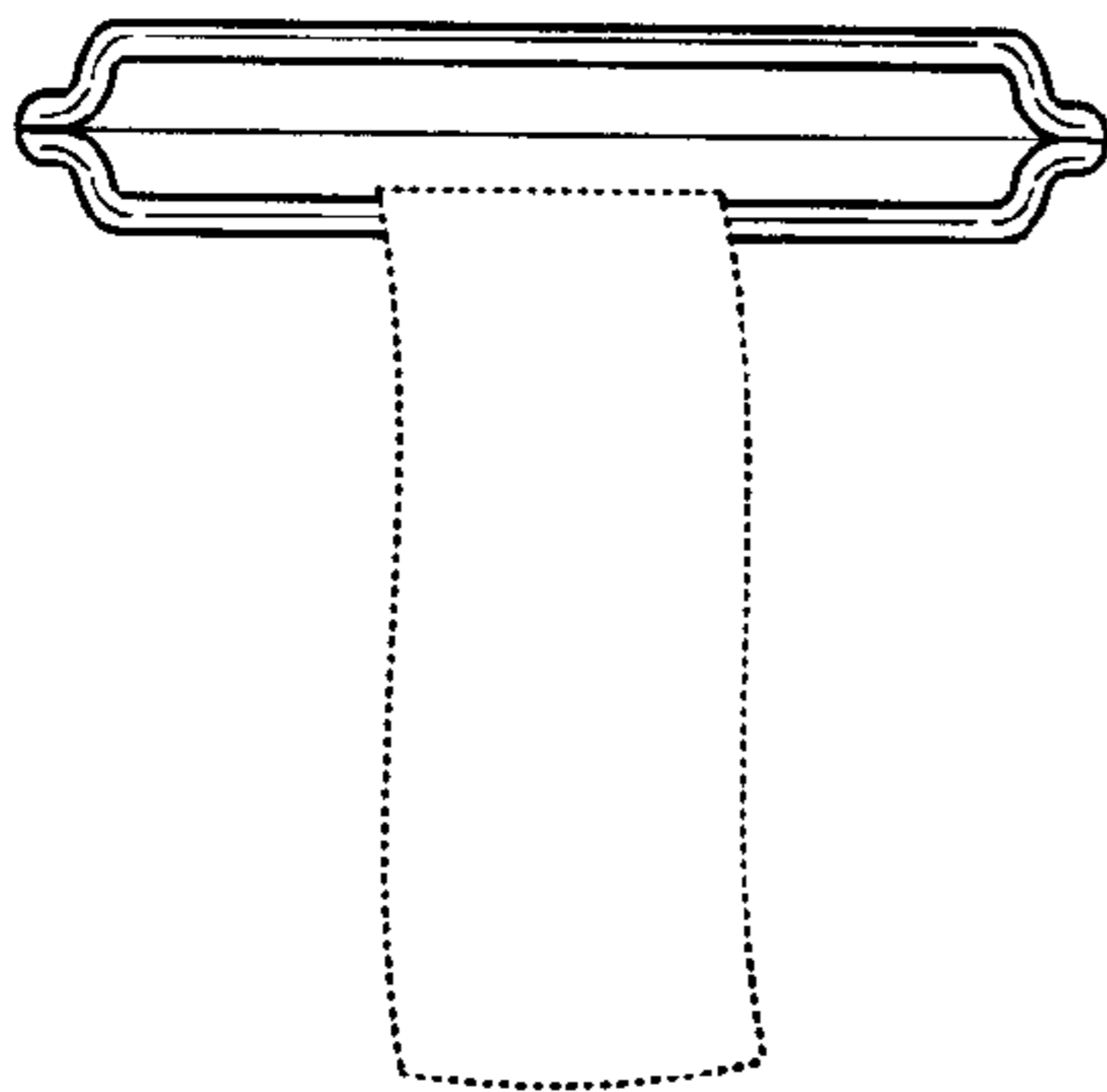


FIG. 6

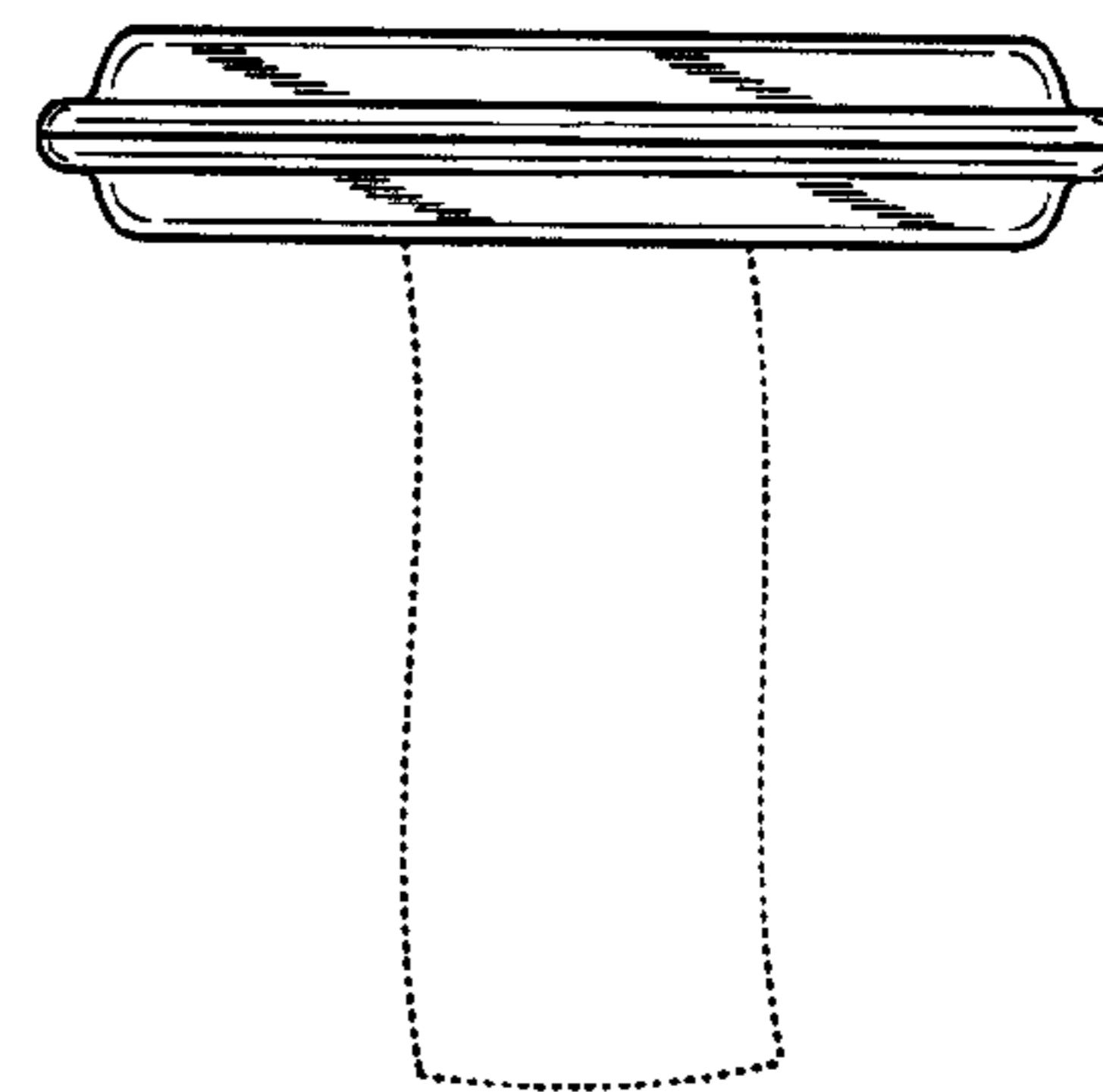


FIG. 7

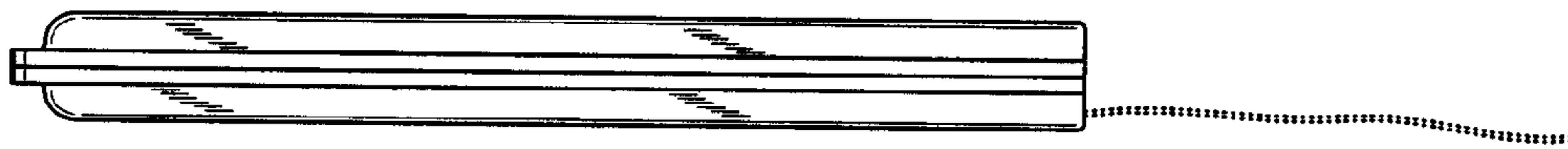


FIG. 8

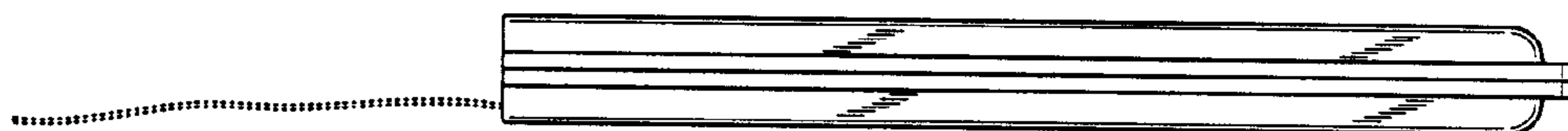


FIG. 9

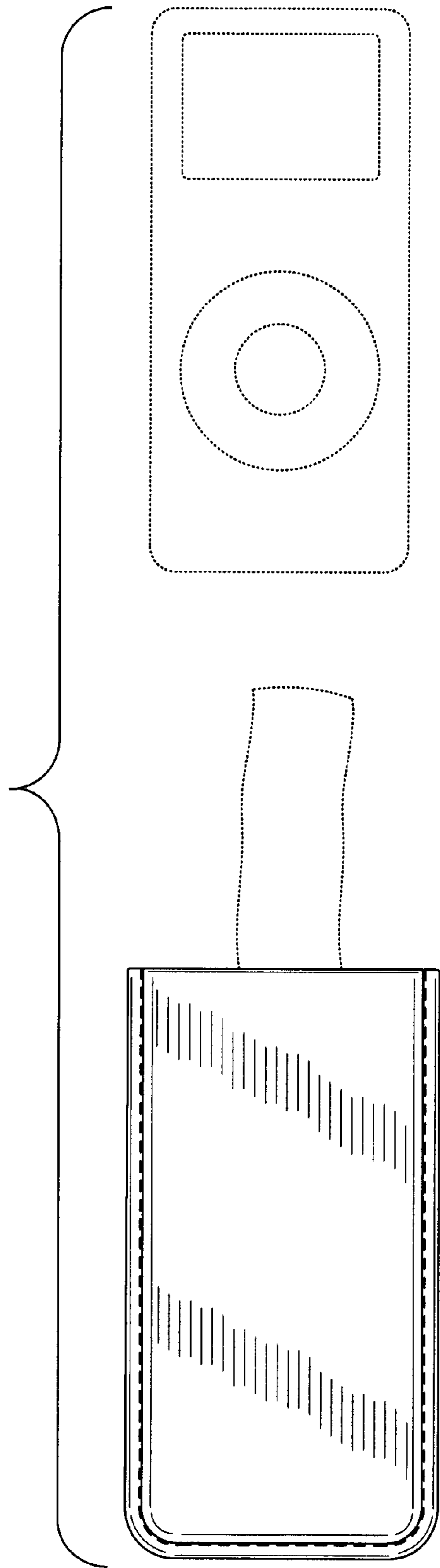


FIG. 10

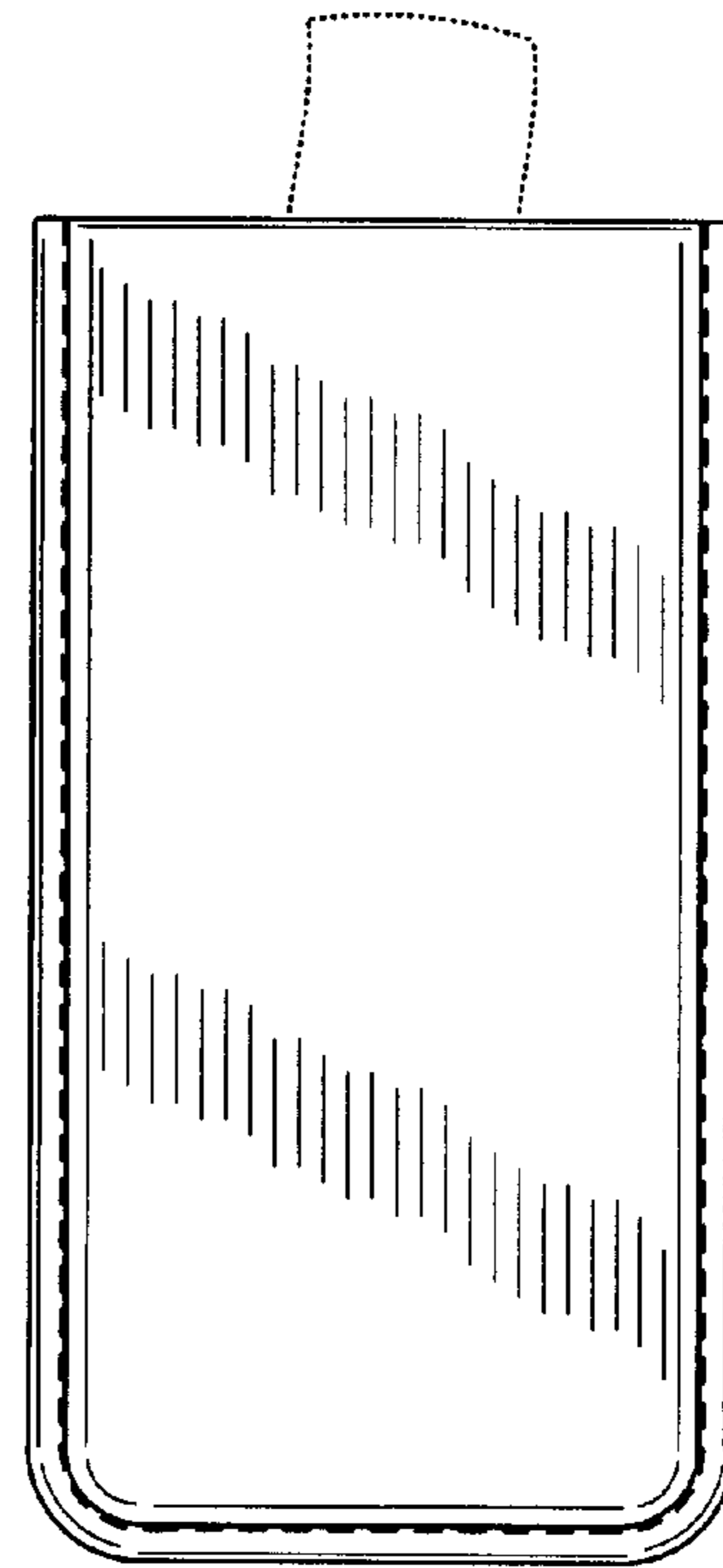


FIG. 11