



US00D533346S

(12) **United States Design Patent**
Davies et al.

(10) **Patent No.:** **US D533,346 S**

(45) **Date of Patent:** **** Dec. 12, 2006**

(54) **GOLF SCORE CARD HOLDER**

(76) Inventors: **Richard George Davies**, 23 Morenz Terrace, Ottawa, Ontario (CA), K2K 3H1; **Elizabeth Ann Davies**, 23 Morenz Terrace, Ottawa, Ontario (CA), K2K 3H1

(**) **Term:** **14 Years**

(21) **Appl. No.:** **29/224,742**

(22) **Filed:** **Mar. 8, 2005**

(30) **Foreign Application Priority Data**

Sep. 9, 2004 (CA) 108313

(51) **LOC (8) Cl.** **03-01**

(52) **U.S. Cl.** **D3/247**

(58) **Field of Classification Search** D3/247, D3/248, 249, 250, 251, 252, 253; 150/131, 150/132, 136, 137, 140, 141, 142, 143, 145, 150/146, 147, 148, 149, 150, 151, 152, 153; 190/903; 206/37, 37.1, 37.4, 37.7, 38, 38.1, 206/39.7, 214, 425, 810, 811

See application file for complete search history.

(56) **References Cited**

U.S. PATENT DOCUMENTS

966,352 A * 8/1910 Pemberton 150/141
3,483,909 A * 12/1969 Osher et al. 150/145
D283,175 S * 4/1986 Larue D3/247

4,930,635 A * 6/1990 Hotchkiss et al. 150/131
D336,565 S * 6/1993 Wenk D3/247
D345,859 S * 4/1994 Gribovsky D3/247
2004/0250933 A1 * 12/2004 DeMichele 150/106

* cited by examiner

Primary Examiner—Louis S. Zarfes

Assistant Examiner—Monica A. Weingart

(74) *Attorney, Agent, or Firm*—McFadden, Finchman

(57) **CLAIM**

The ornamental design for a golf score card holder, as shown and described.

DESCRIPTION

FIG. 1 is a top perspective view of a golf score card holder, in the open position, showing our new design;

FIG. 2 is a top perspective view in the closed position thereof;

FIG. 3 is a bottom plan view thereof;

FIG. 4 is a top plan view thereof;

FIG. 5 is a left side elevational view thereof;

FIG. 6 is a right side elevational view thereof;

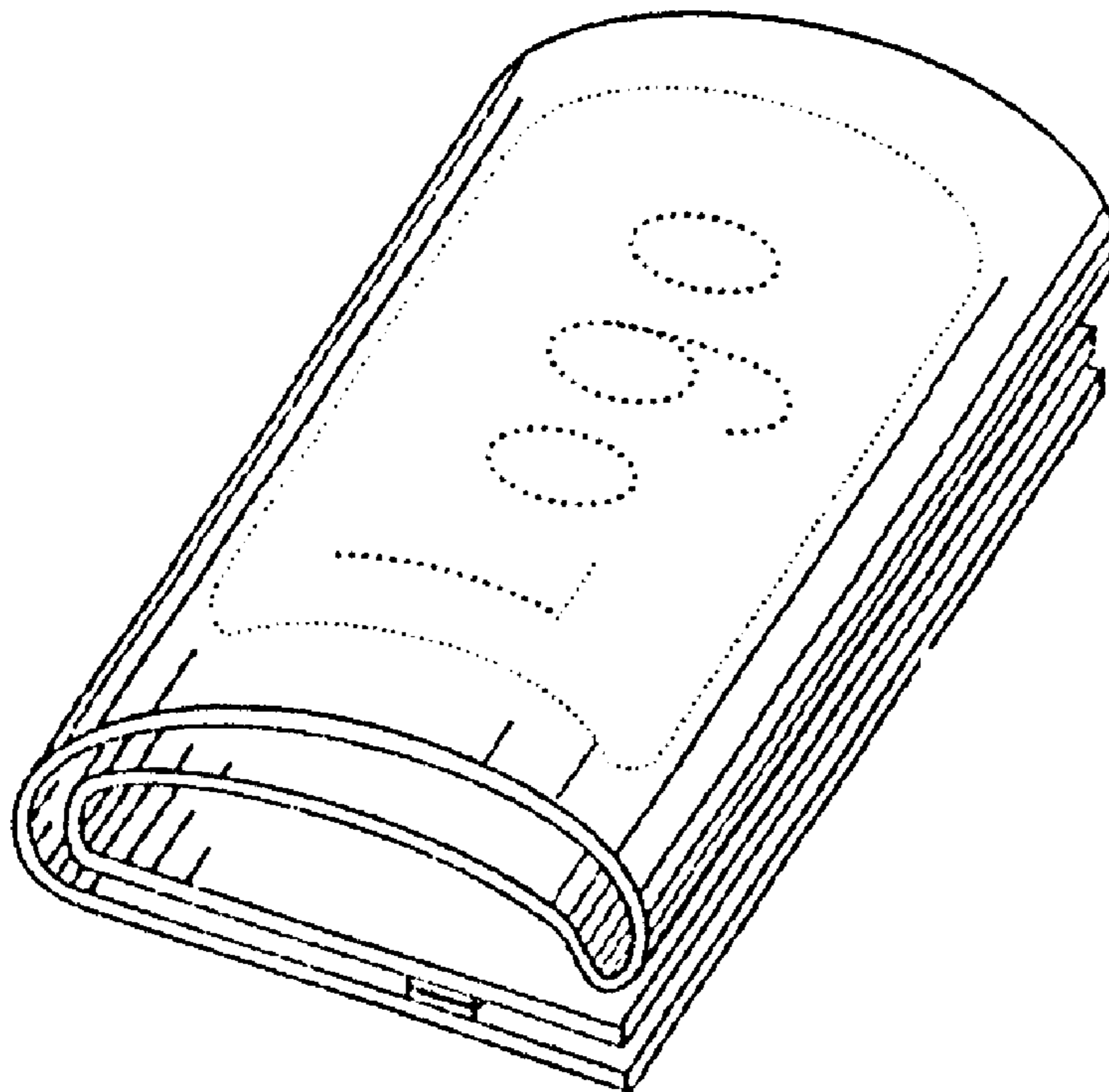
FIG. 7 is an end view thereof;

FIG. 8 is an opposite end view thereof; and,

FIG. 9 is a top perspective view, in the closed position, thereof.

The broken line showing of a logo, in FIGS. 2 and 9, is for illustrative purposes only and forms no part of the claimed design.

1 Claim, 3 Drawing Sheets



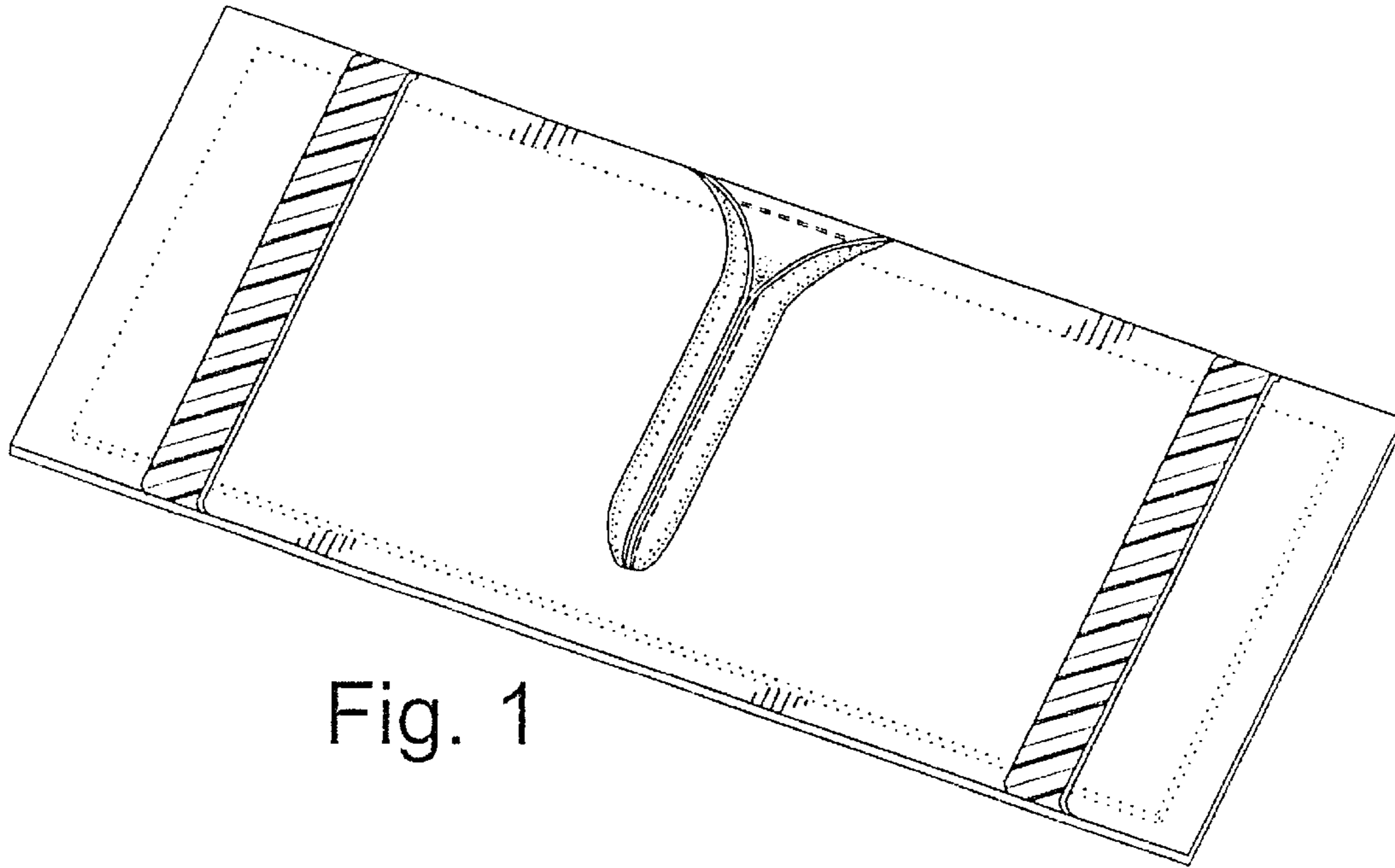


Fig. 1

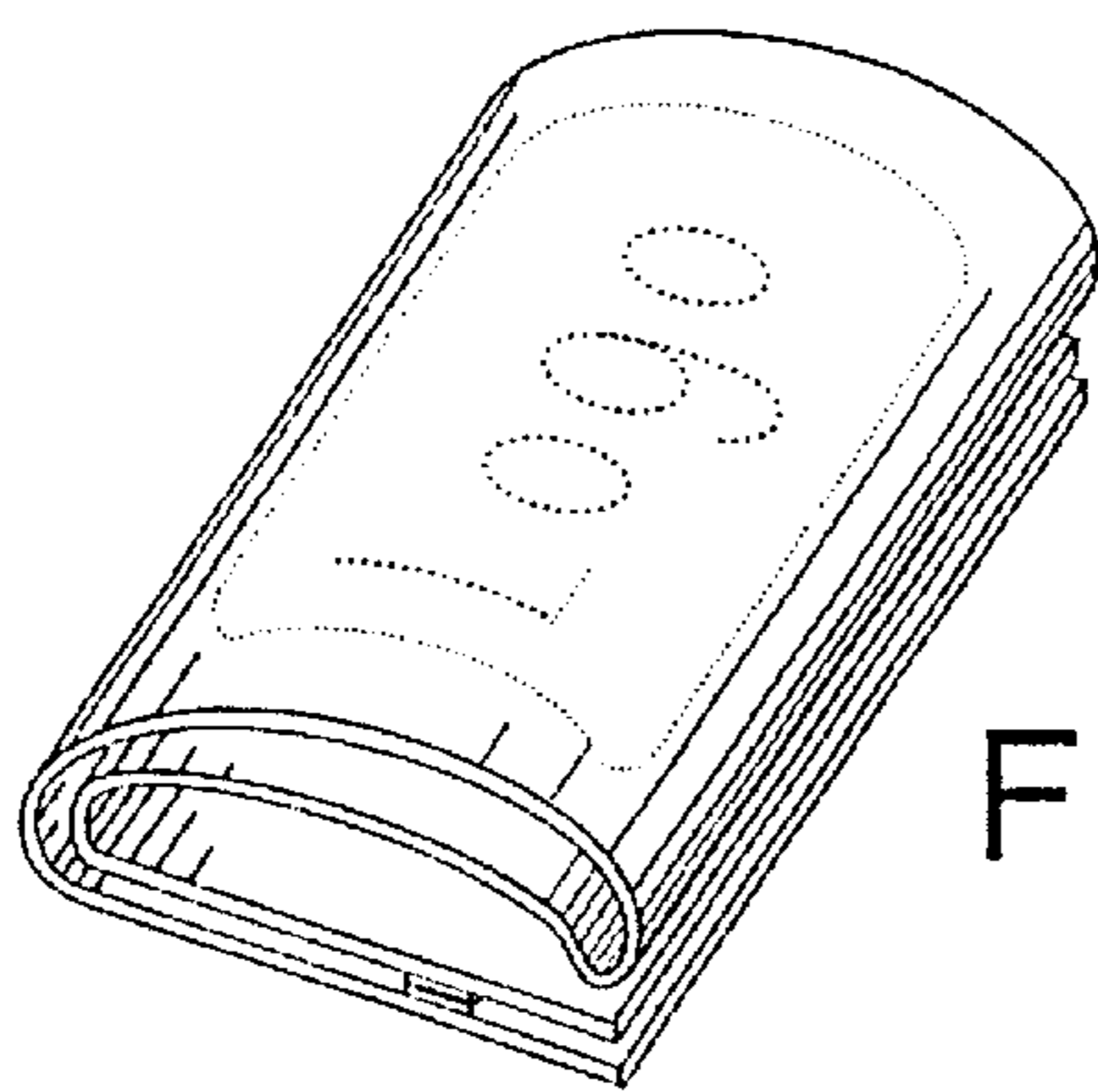


Fig. 2

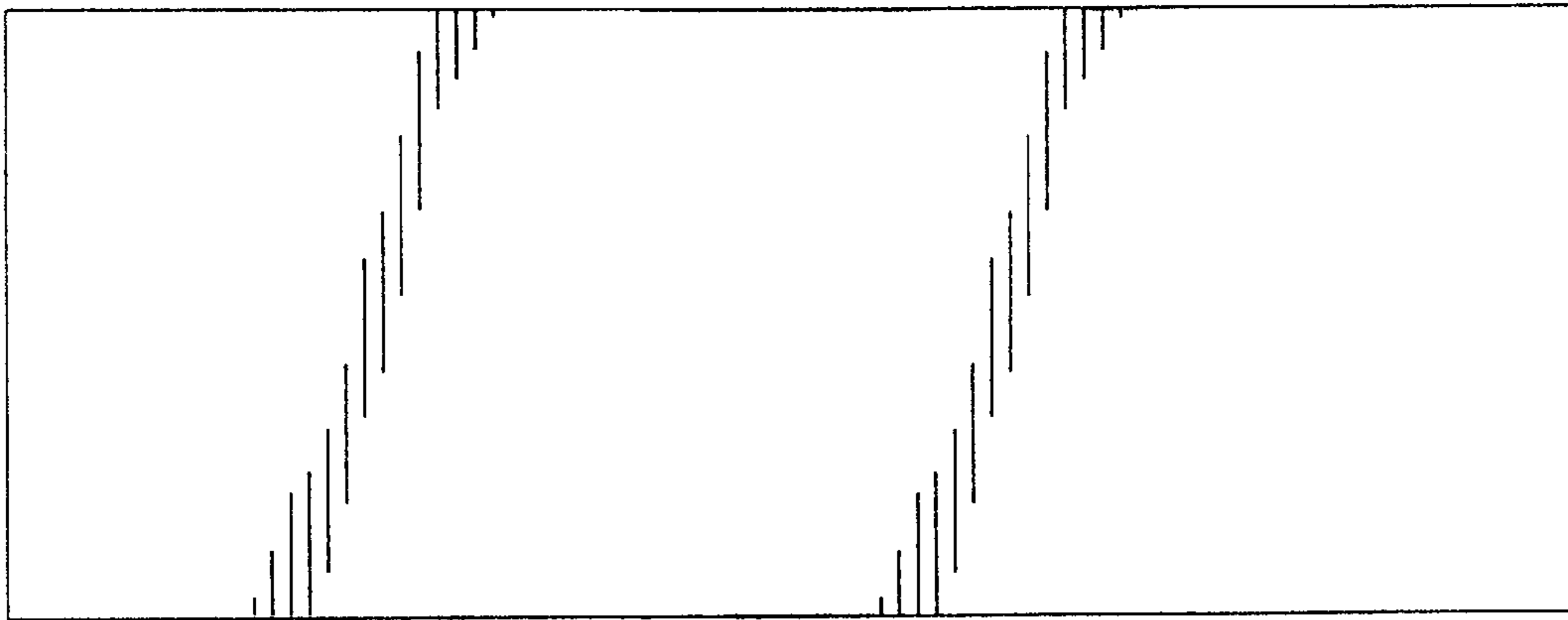


Fig. 3

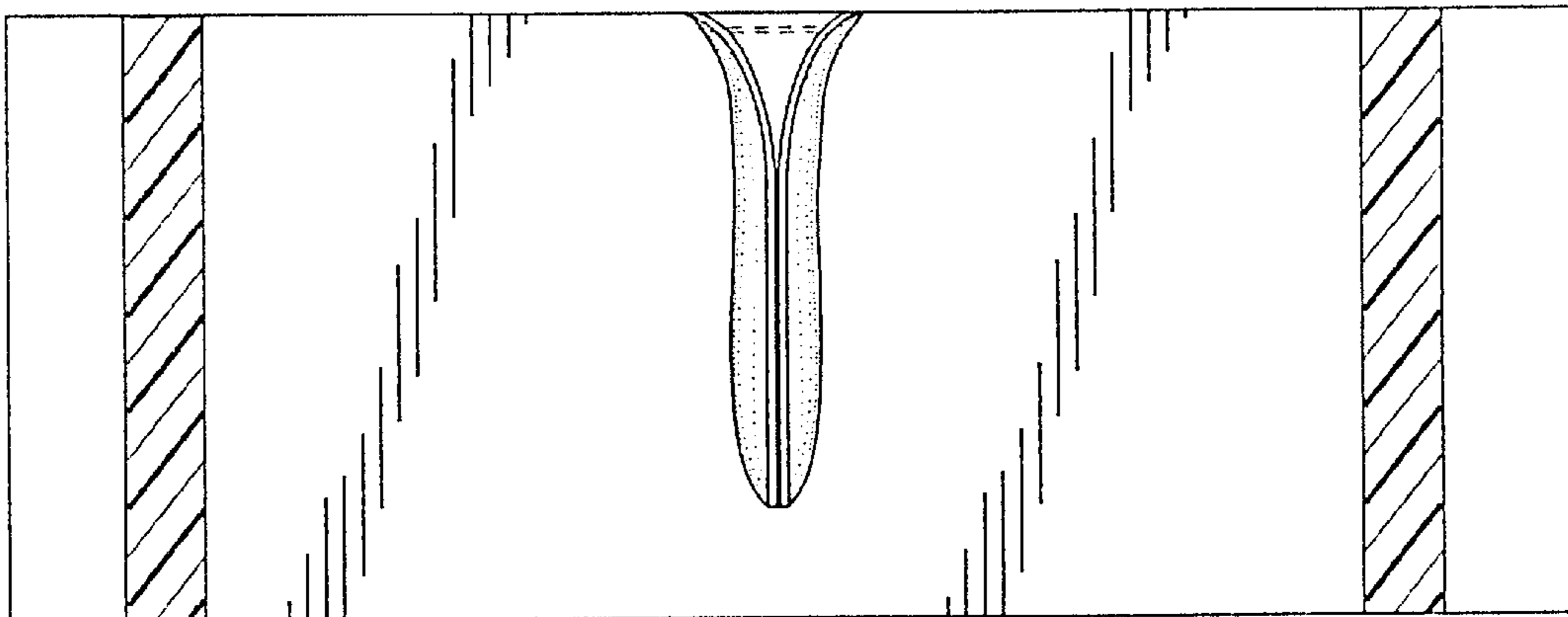


Fig. 4

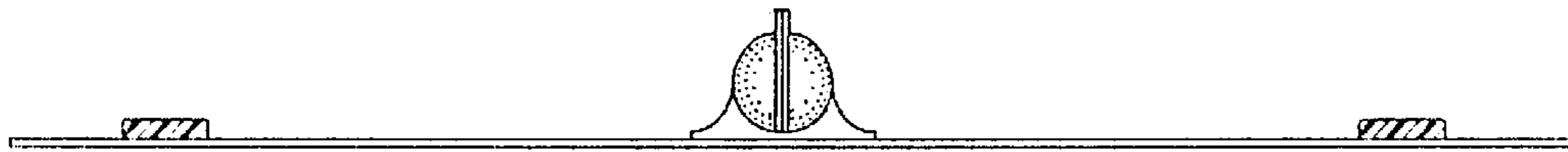


Fig. 5

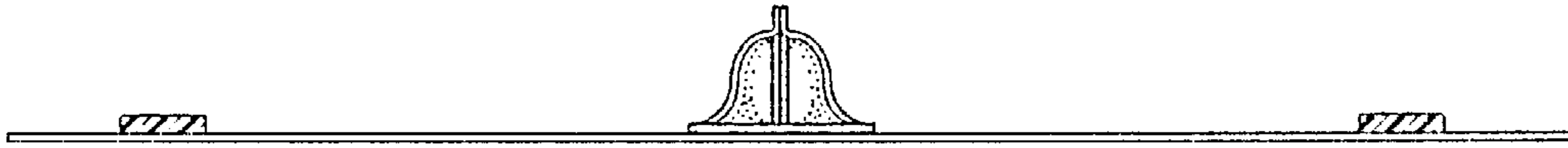


Fig. 6



Fig. 7



Fig. 8

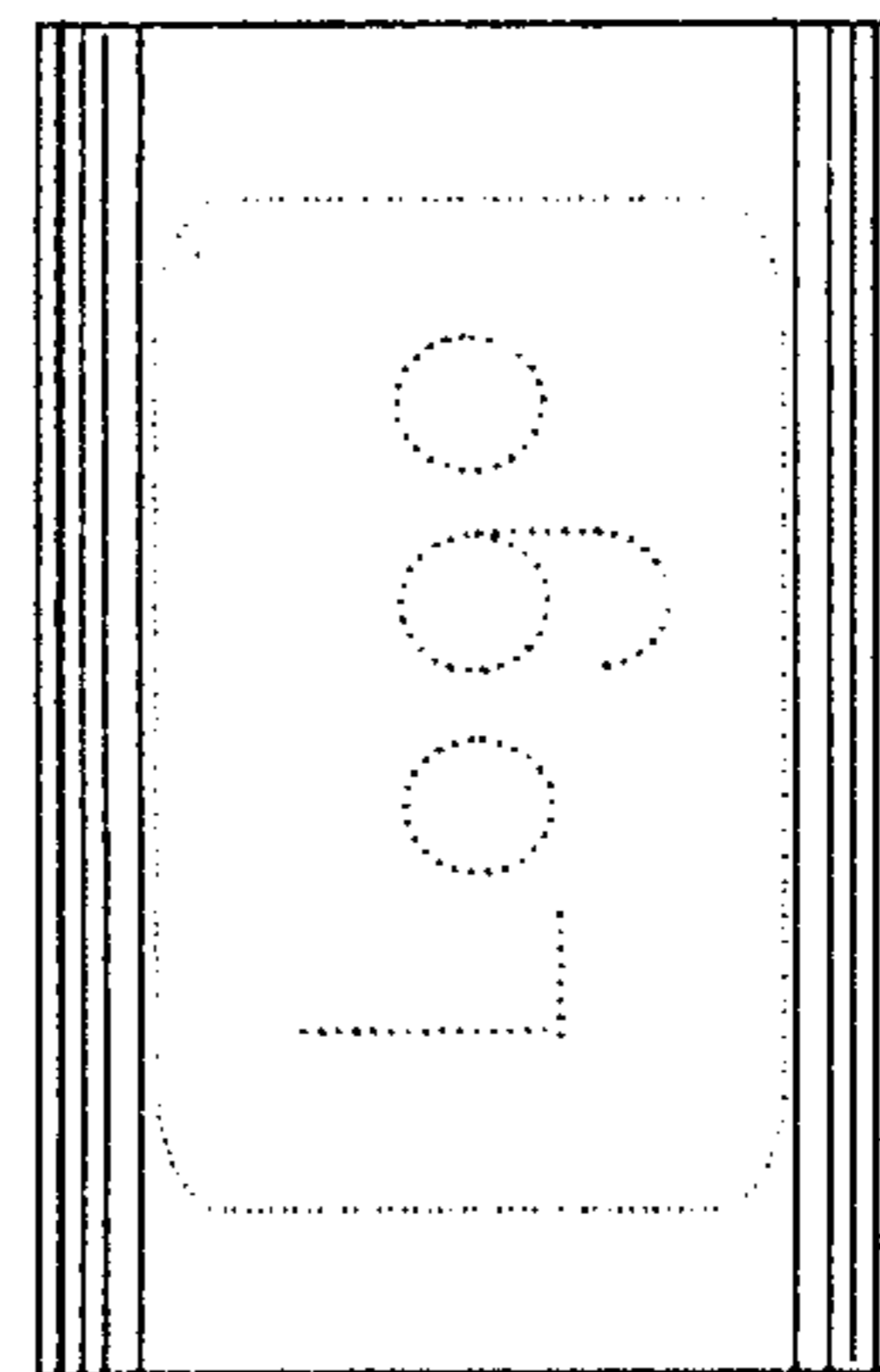


Fig. 9