



US00D533330S

(12) **United States Design Patent**
Beaulieu

(10) **Patent No.:** **US D533,330 S**

(45) **Date of Patent:** **** Dec. 5, 2006**

(54) **HONOR BOX FOR CANDY DISPLAY AND COIN RECEPTACLE**

(74) *Attorney, Agent, or Firm*—Patrick J. Hofbauer; Kevin E. Holbeche

(76) Inventor: **Joseph Beaulieu**, 206 Woodhaven Road, Kitchener, Ontario (CA), N2C 1V2

(57) **CLAIM**

The ornamental design for an honor box for candy display and coin receptacle, as shown and described.

(**) Term: **14 Years**

DESCRIPTION

(21) Appl. No.: **29/232,820**

FIG. 1 is a top front left perspective view of honor box for candy display and coin receptacle showing my new design; FIG. 2 is a left elevational view thereof; FIG. 3 is a top plan view thereof; FIG. 4 is a rear elevational view thereof; FIG. 5 is a bottom plan view thereof; FIG. 6 is a front elevational view in a closed position; FIG. 7 is a front elevational view thereof; FIG. 8 is a front perspective view thereof; FIG. 9 is a front elevational view of a second embodiment of honor box for candy display and coin receptacle showing my new design, the only difference being the placement of the coin receptacle;

(22) Filed: **Jun. 27, 2005**

(30) **Foreign Application Priority Data**

May 18, 2005 (CA) 111270

(51) **LOC (8) Cl.** **99-00**

(52) **U.S. Cl.** **D99/34**

(58) **Field of Classification Search** D99/28, D99/34, 35, 36, 37; D7/612; D9/522, 632; 232/4 R; 109/50; 220/662

See application file for complete search history.

FIG. 10 is a left elevational view of a third embodiment of honor box for candy display and coin receptacle showing my new design, the only difference being the placement of the coin receptacle; FIG. 11 is a left elevational view of a fourth embodiment of honor box for candy display and coin receptacle showing my new design, the only difference being the placement of the coin receptacle; and, FIG. 12 is a left elevational view of a fifth embodiment of honor box showing my new design, the only difference being the placement of the coin receptacle.

(56) **References Cited**

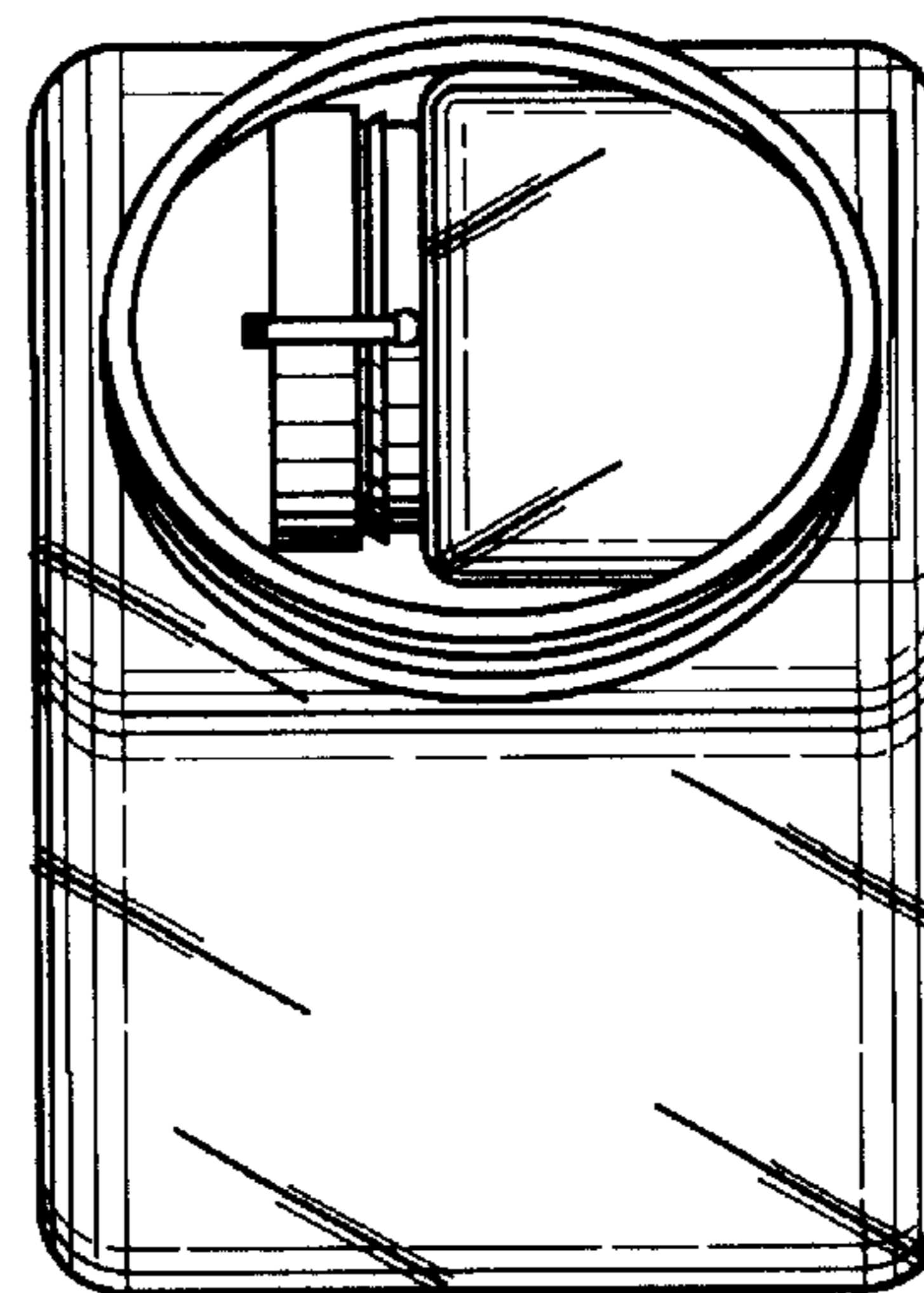
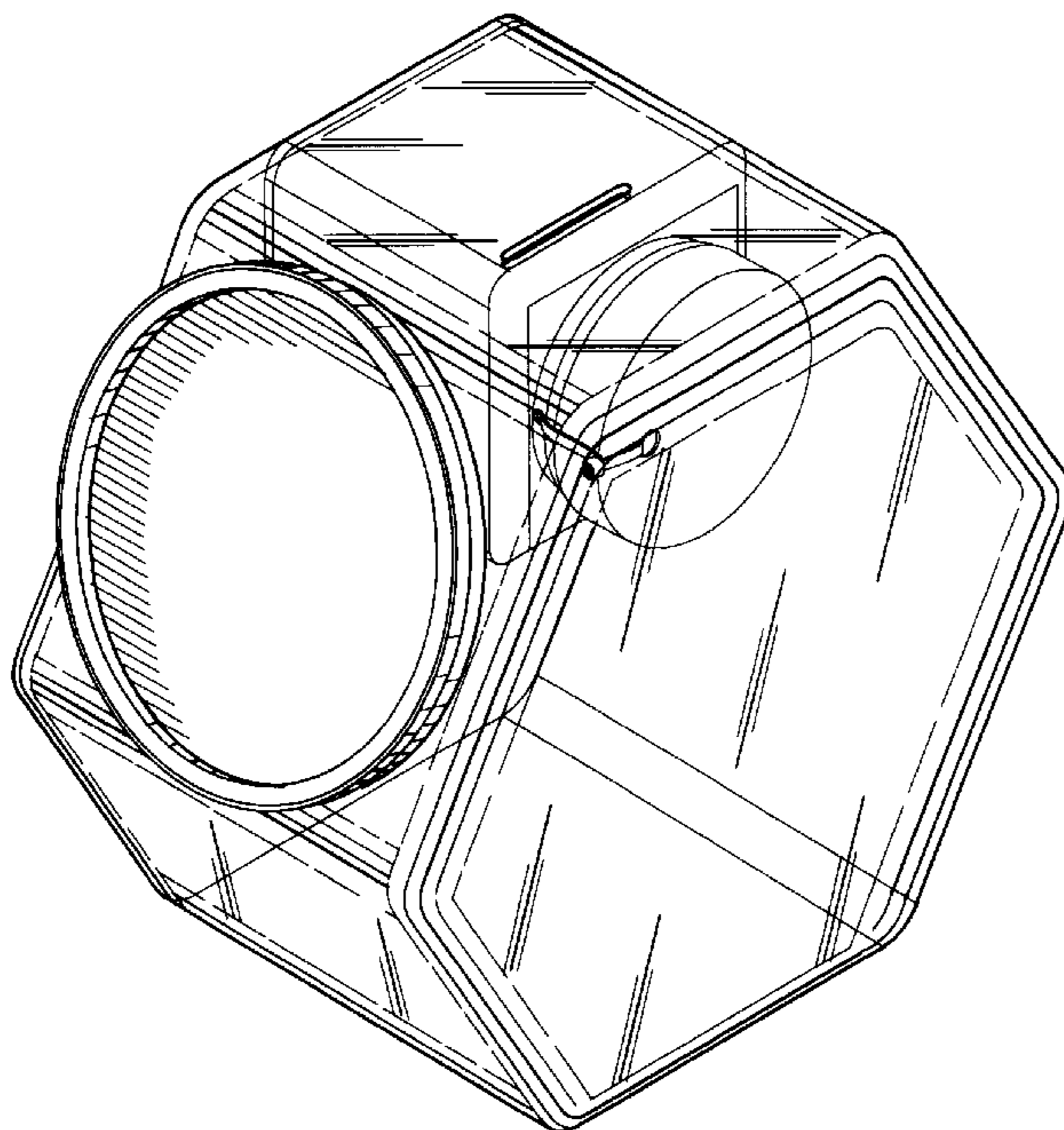
U.S. PATENT DOCUMENTS

D86,712 S	*	4/1932	Fuerst	D9/522
D347,554 S	*	6/1994	Wingate et al.	D7/612
D382,473 S	*	8/1997	Egender	D9/632
D395,132 S	*	6/1998	Drew	D99/37
D403,833 S	*	1/1999	Mertins, Jr.	D99/34
D491,335 S	*	6/2004	Nwadike	D99/34
D500,640 S	*	1/2005	Lawson et al.	D7/612

* cited by examiner

Primary Examiner—Paula A. Greene

1 Claim, 7 Drawing Sheets



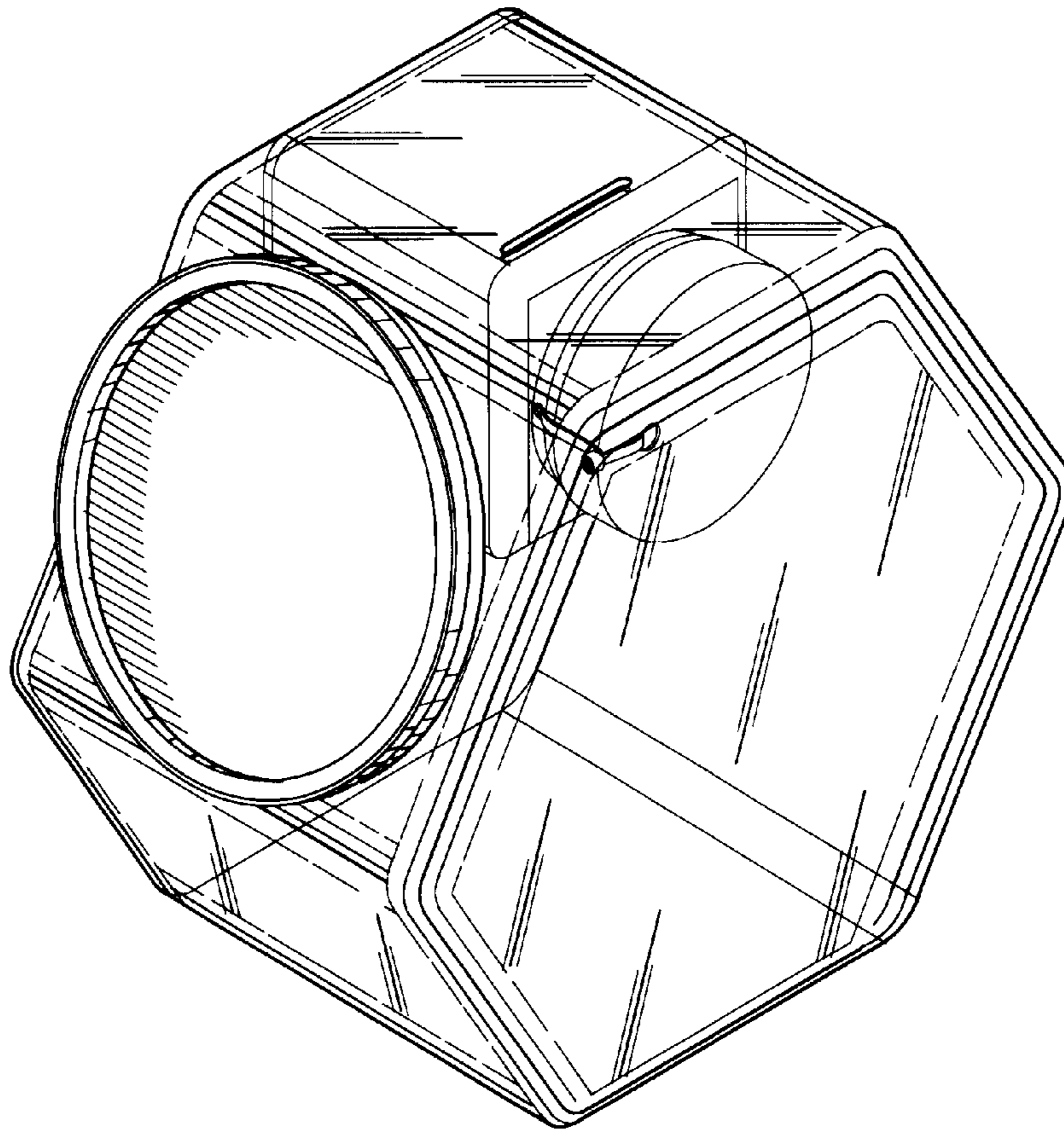


FIG.1

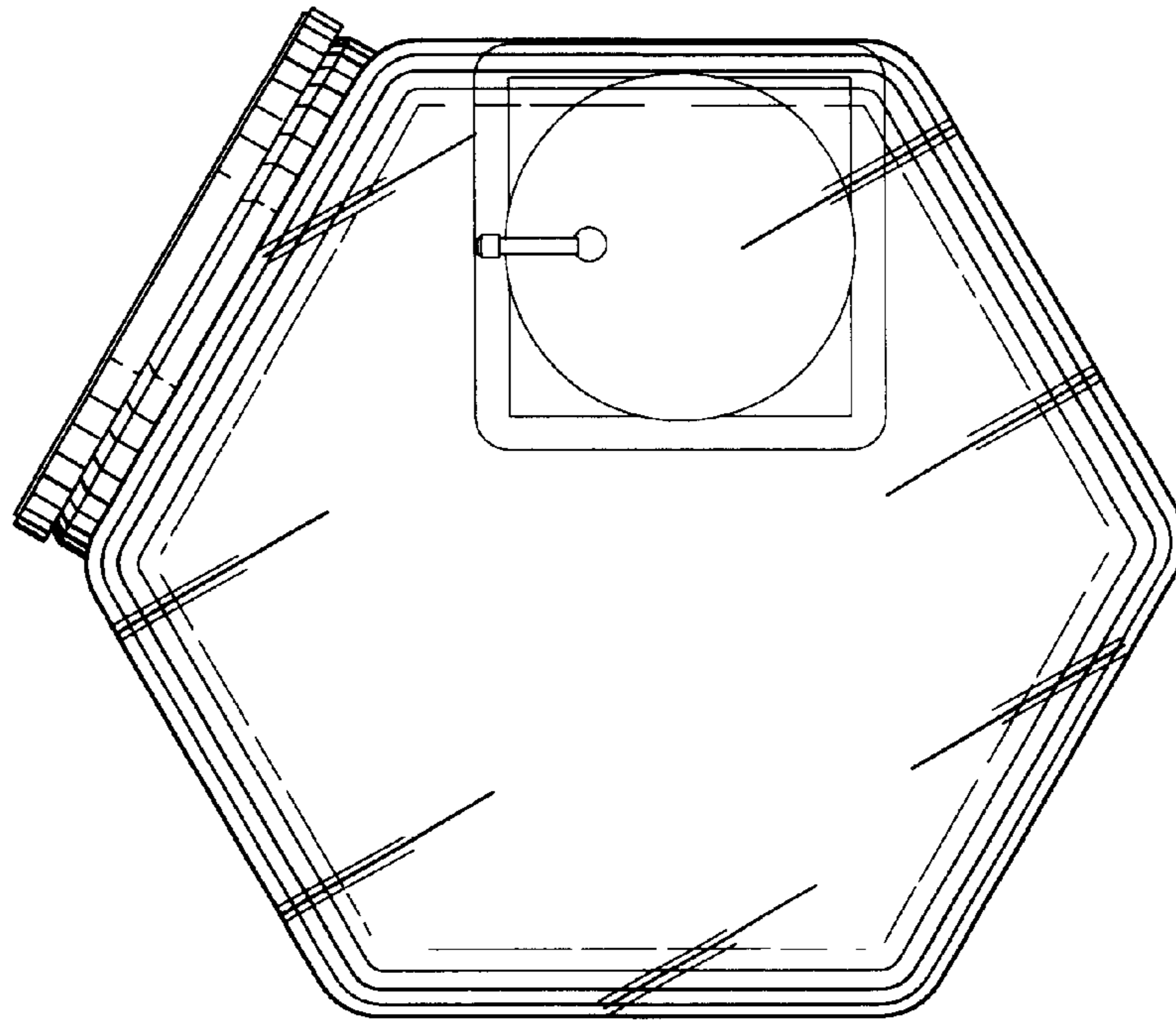


FIG. 2

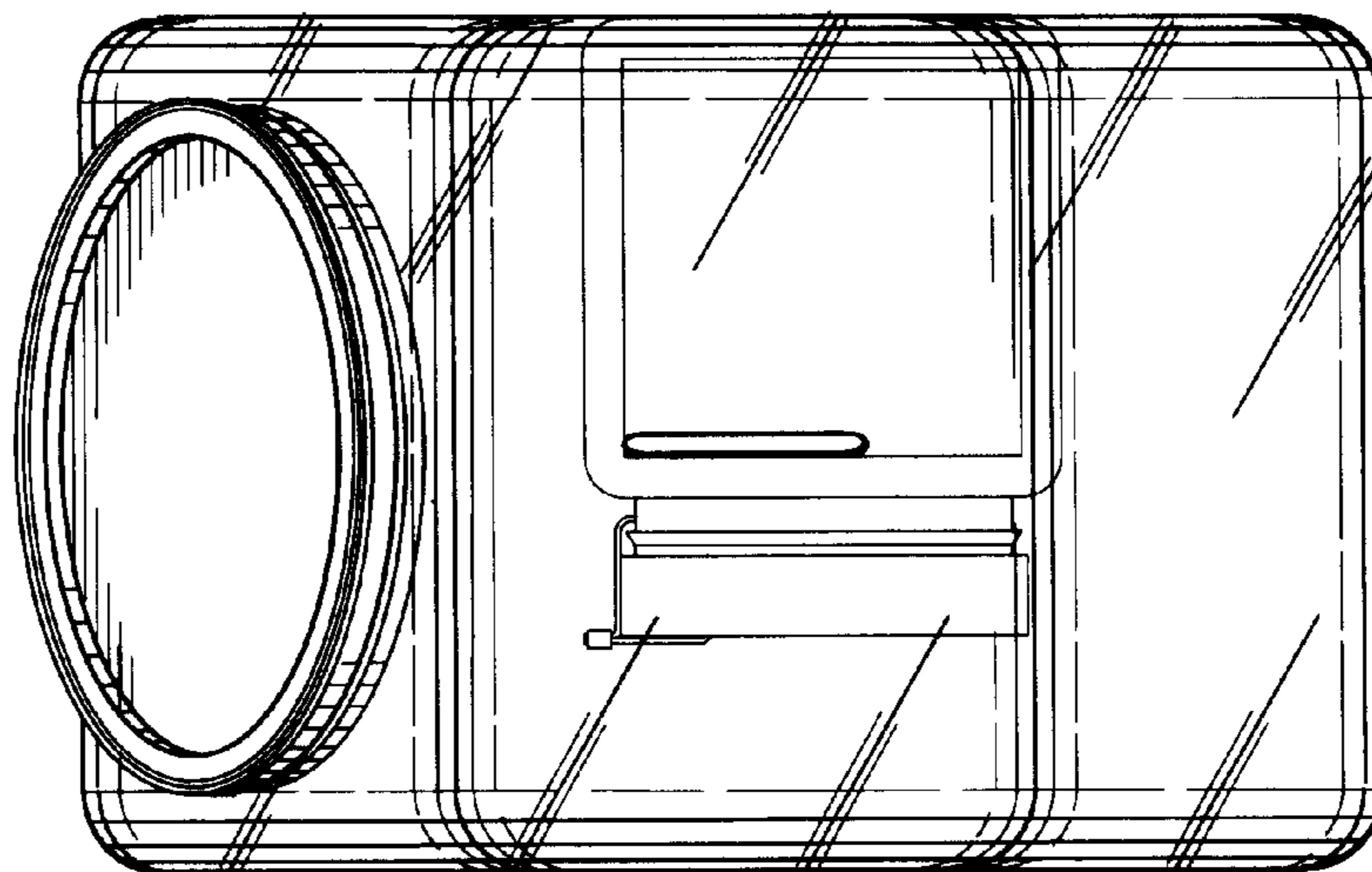


FIG. 3

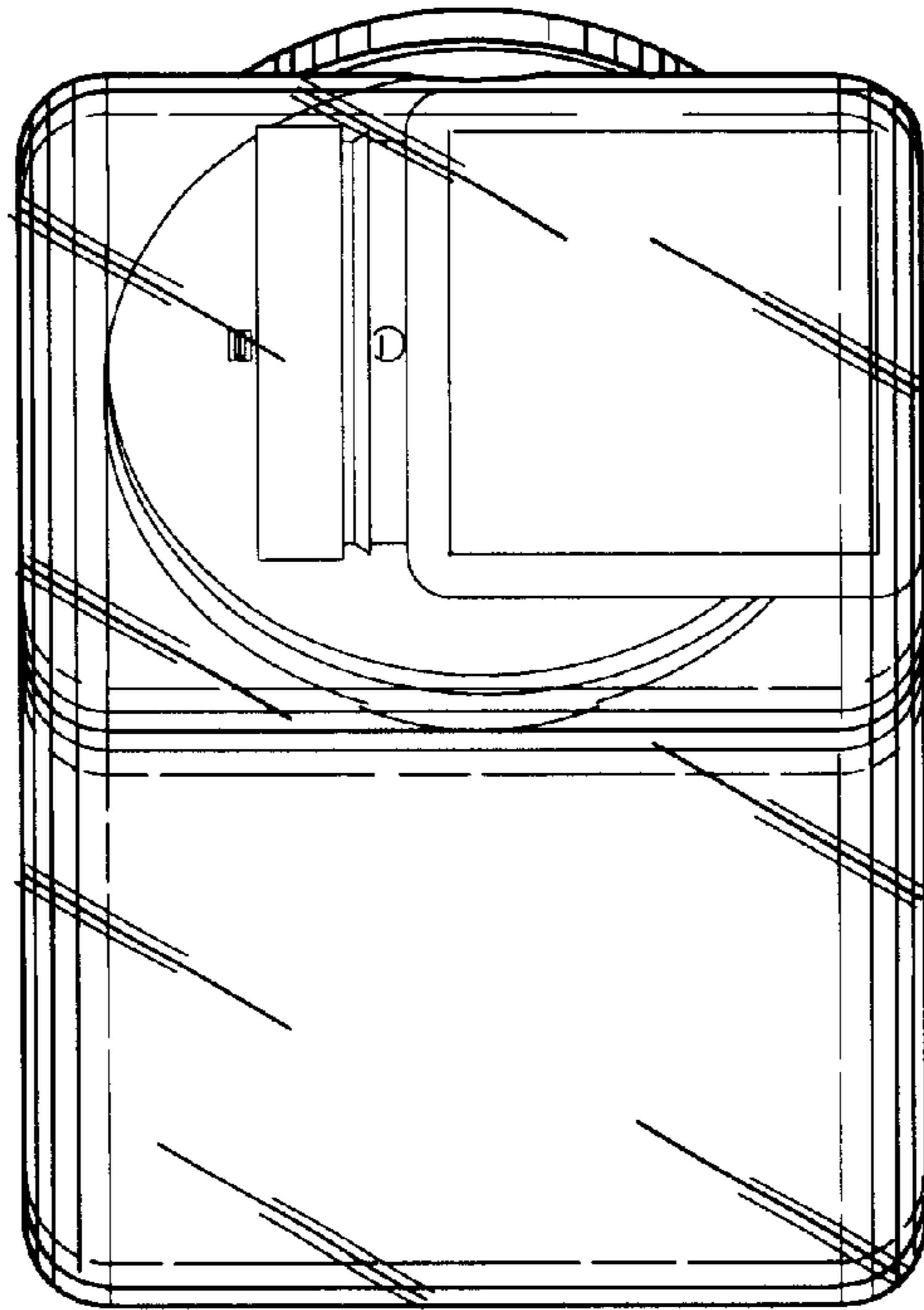


FIG. 4

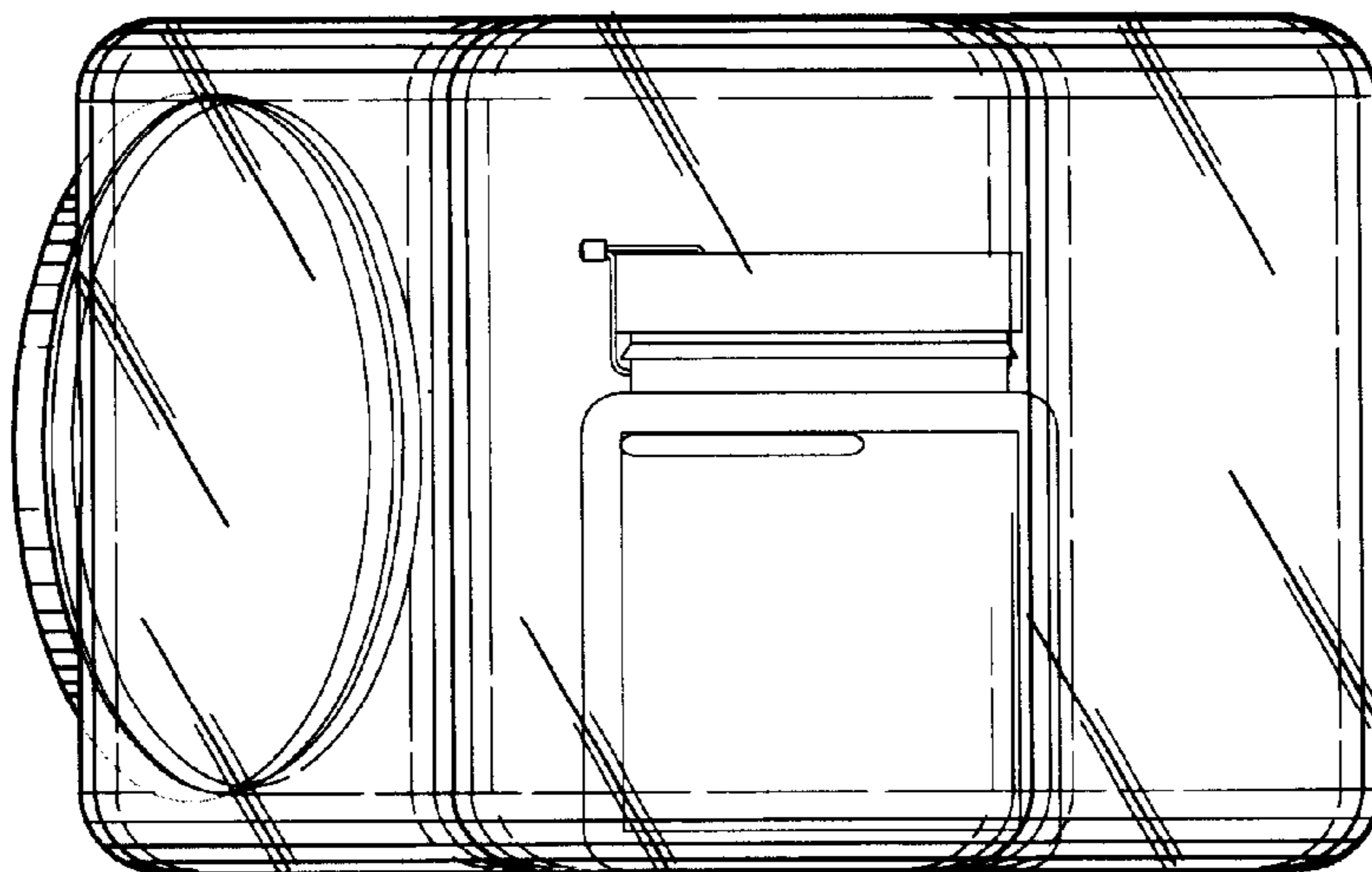


FIG. 5

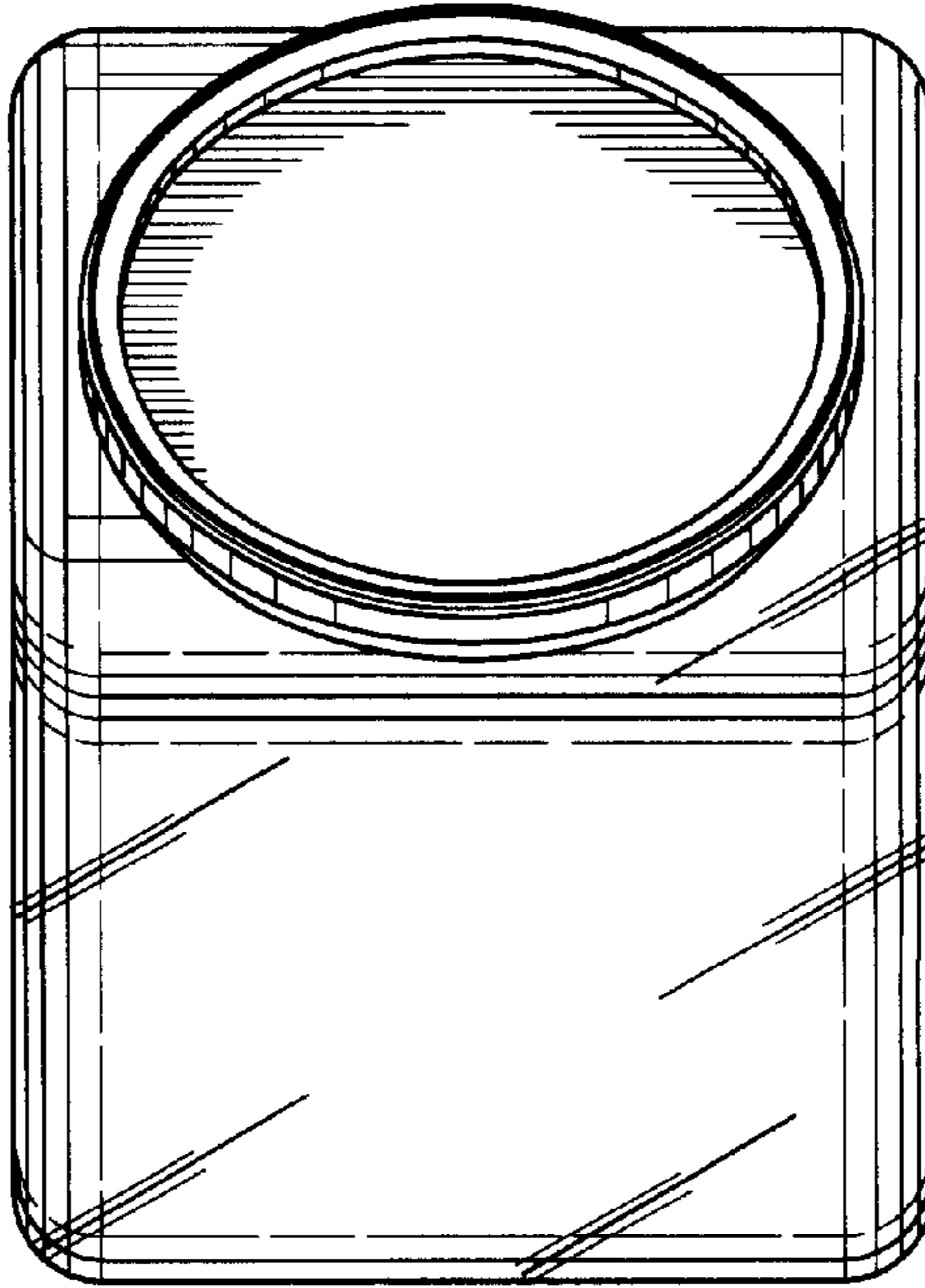


FIG. 6

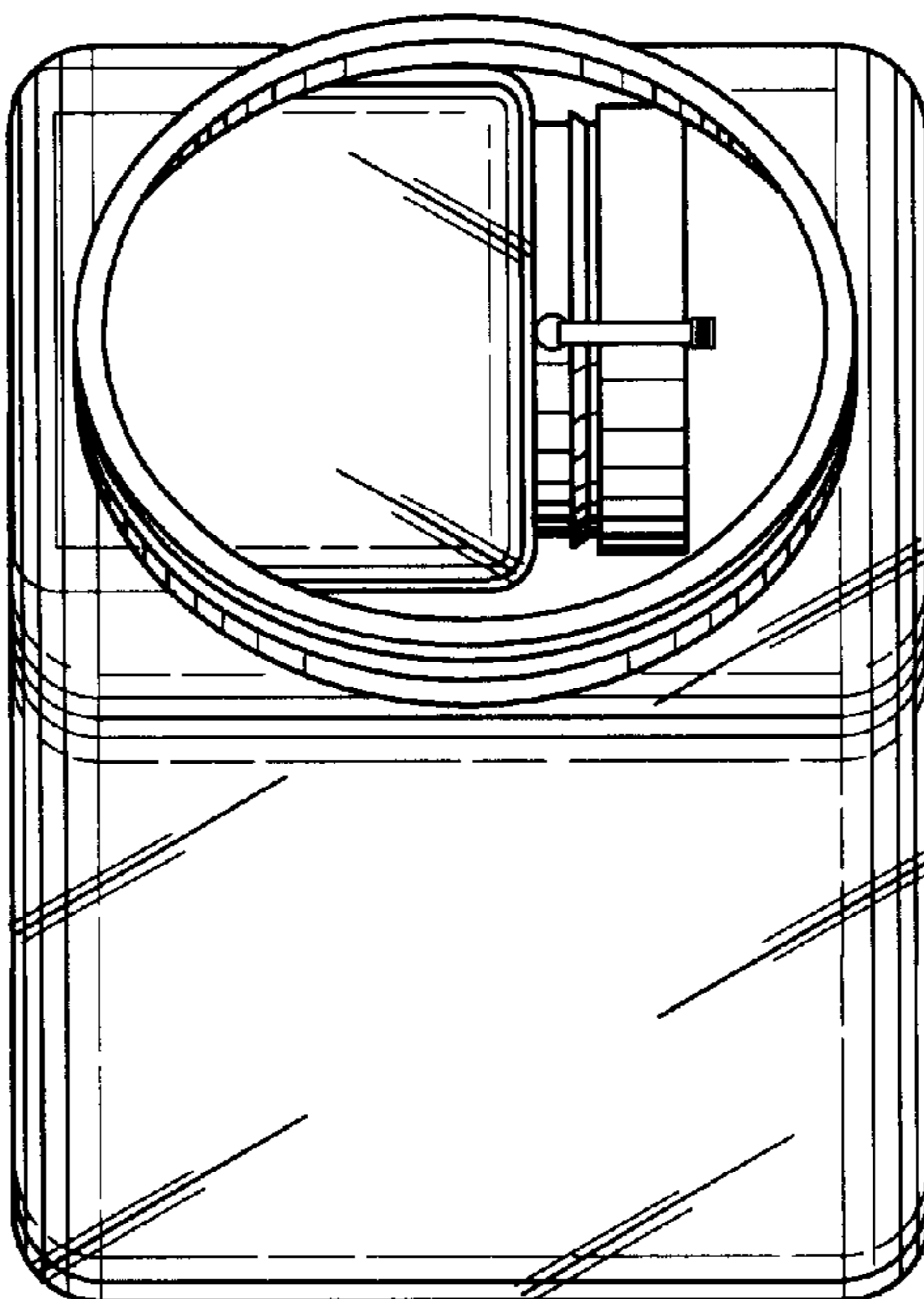


FIG. 7

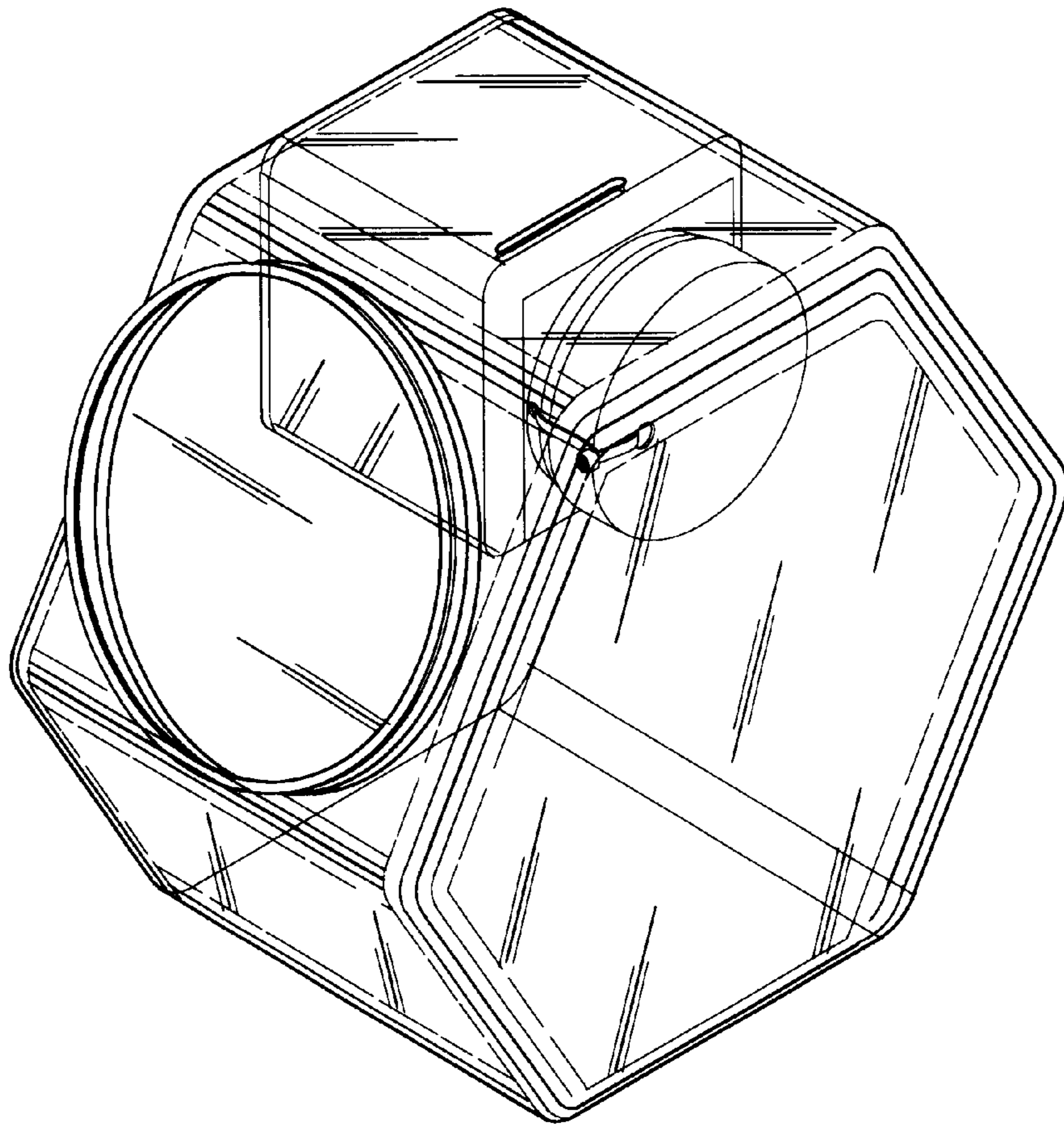


FIG. 8

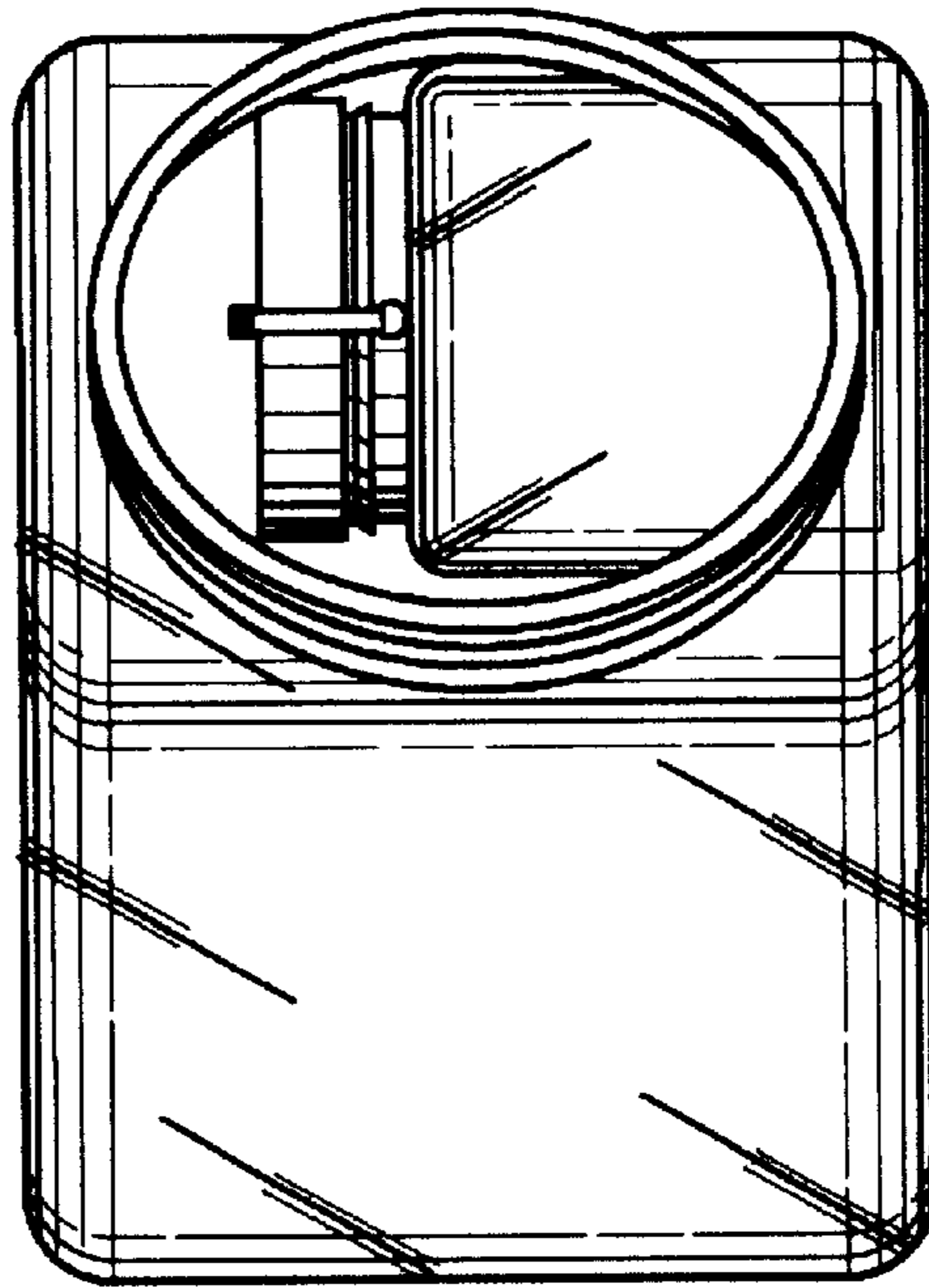


FIG. 9

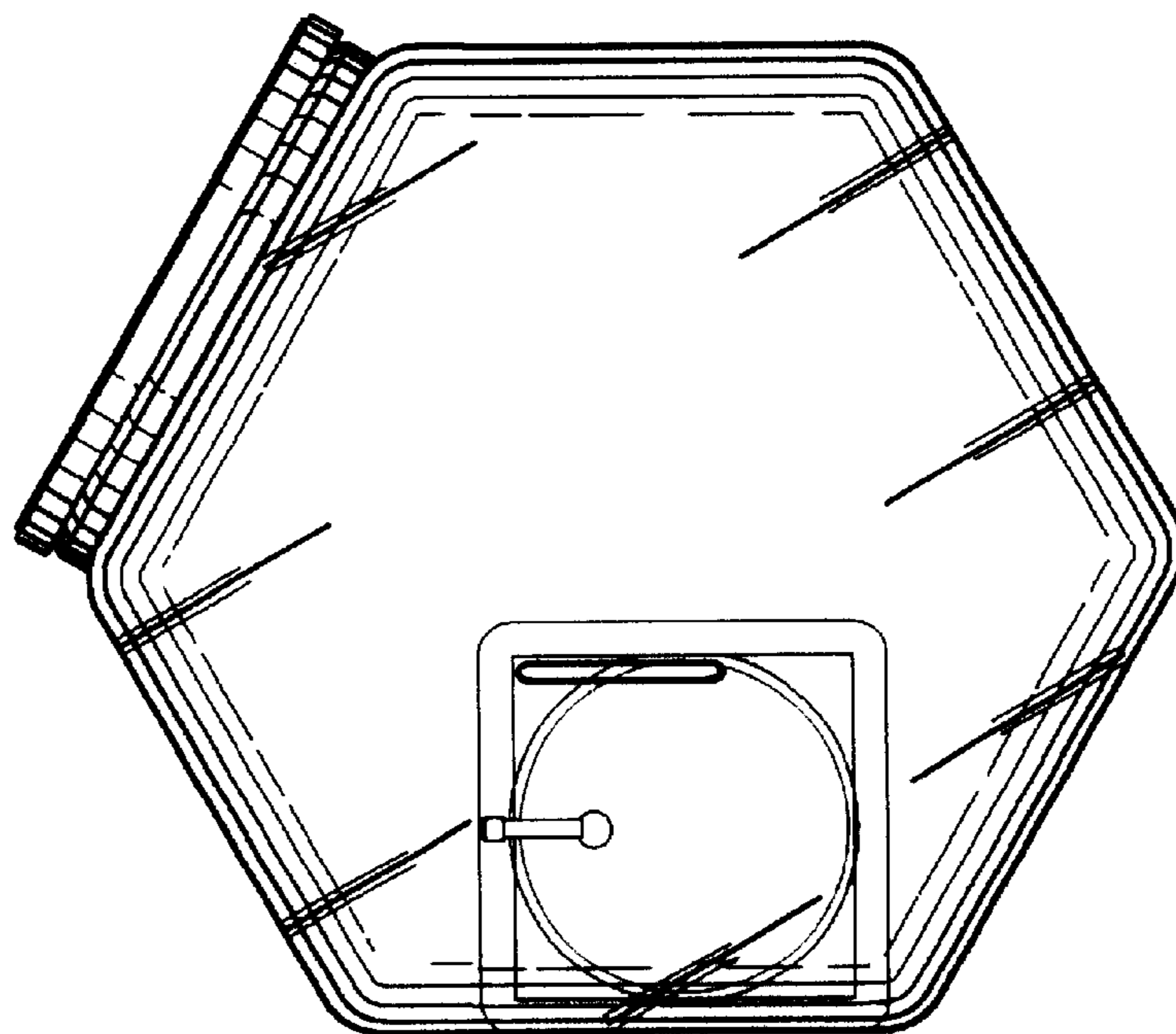


FIG. 10

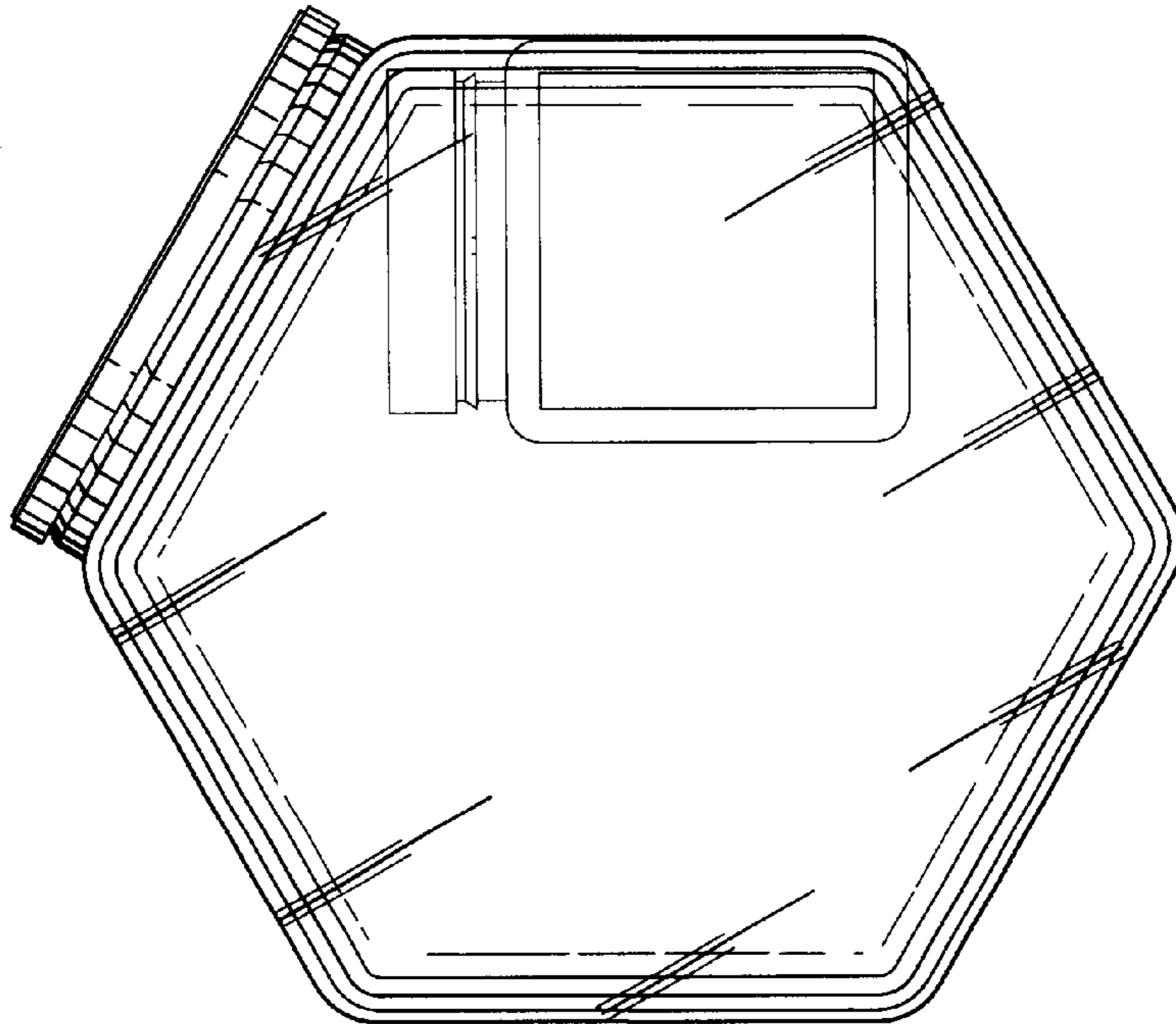


FIG. 11

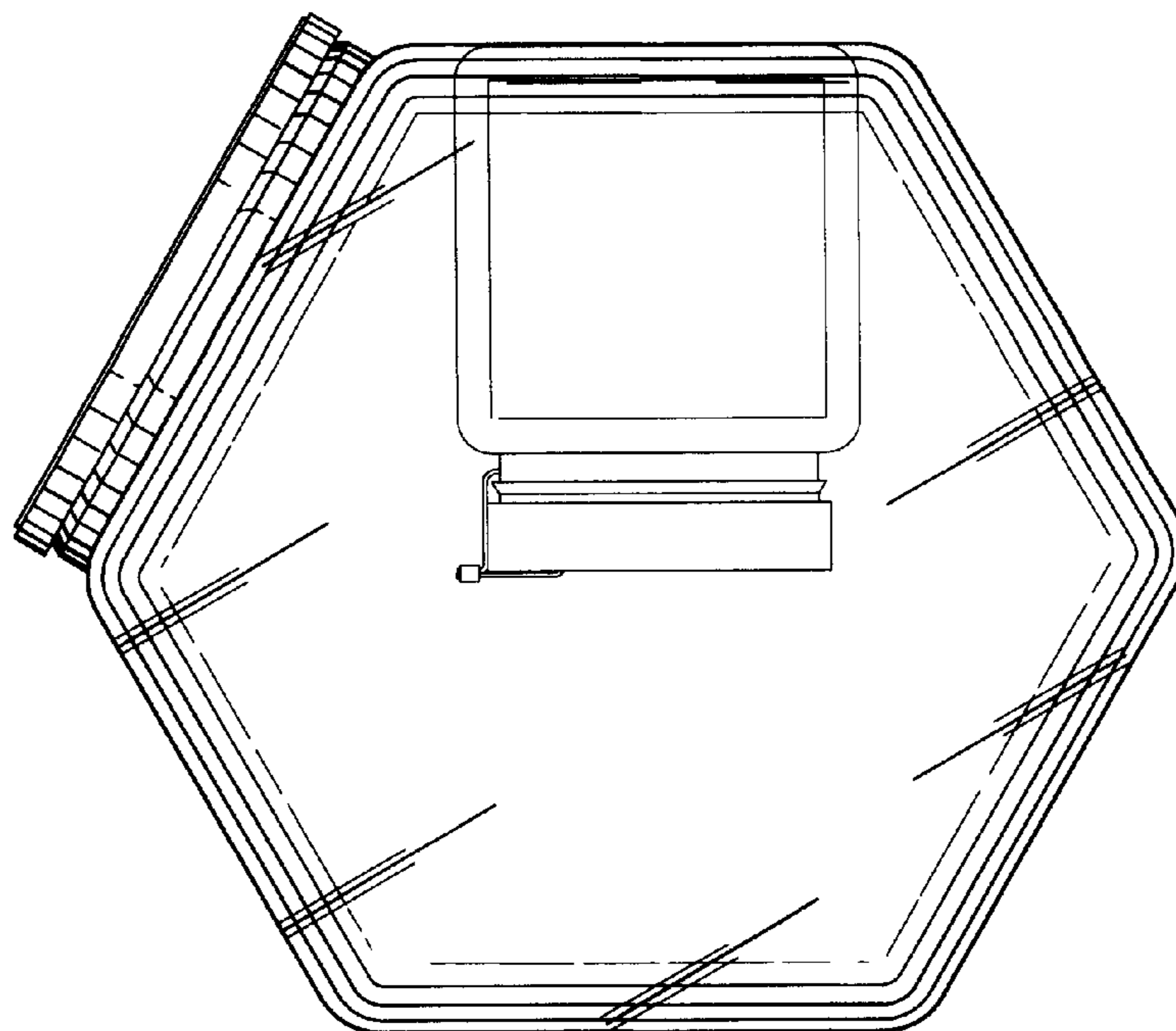


FIG. 12