



US00D533328S

(12) **United States Design Patent**
Wake

(10) **Patent No.:** **US D533,328 S**

(45) **Date of Patent:** **** Dec. 5, 2006**

(54) **CORRUGATED PLATE FOR PALLET**

(76) Inventor: **Akinobu Wake**, 1656-3, B2-203,
Kashiwai-cho, Hanamigawa-ku,
Chibashi (JP)

(**) Term: **14 Years**

(21) Appl. No.: **29/204,280**

(22) Filed: **Apr. 28, 2004**

(51) **LOC (8) Cl.** **09-08**

(52) **U.S. Cl.** **D34/38**

(58) **Field of Classification Search** D34/38;
108/51.11, 51.3, 53.1, 53.3, 56.1, 57.18, 57.19,
108/57.29, 57.3, 901; 248/346.06, 346.01;
D9/456

See application file for complete search history.

(56) **References Cited**

U.S. PATENT DOCUMENTS

- 1,321,812 A * 11/1919 Drumm 248/346.4
- 1,922,560 A * 8/1933 Sullivan 206/322
- D143,042 S * 11/1945 Shepard D9/456
- 2,455,197 A * 11/1948 Sullivan 108/52.1
- 2,615,661 A * 10/1952 Cushman 108/53.3
- D228,882 S * 10/1973 Bish et al. D9/456

- 3,776,146 A * 12/1973 Morrison 108/57.3
- 4,145,974 A * 3/1979 Fleming et al. 108/57.29
- D291,935 S * 9/1987 Nordstrom D34/38
- D306,226 S * 2/1990 Jirucha D34/38
- D307,966 S * 5/1990 Back D34/38

* cited by examiner

Primary Examiner—Cynthia E. Ramirez

(74) *Attorney, Agent, or Firm*—Bacon & Thomas, PLLC

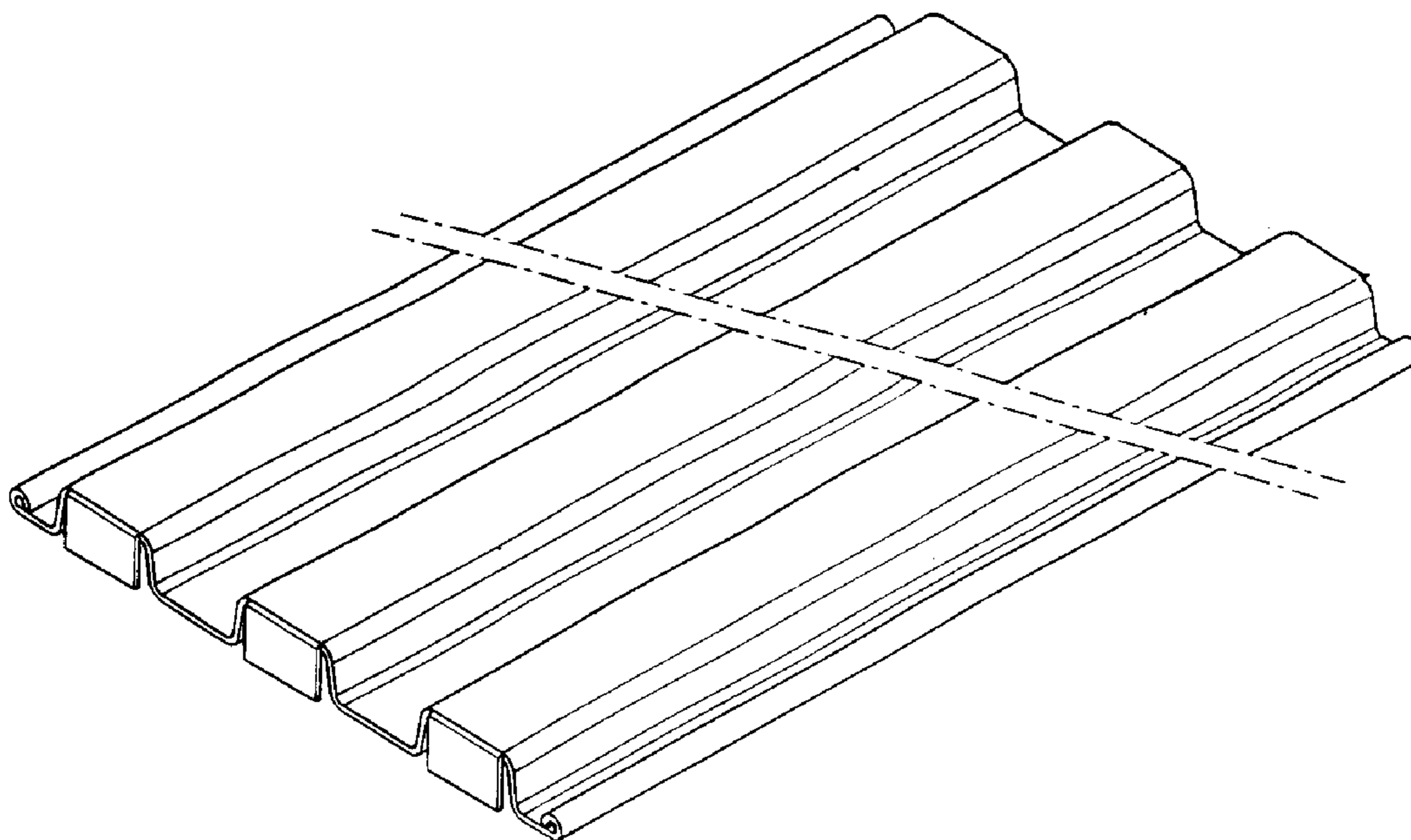
(57) **CLAIM**

The ornamental design for a corrugated plate for pallet, as shown and described.

DESCRIPTION

FIG. 1 is a perspective view of a corrugated plate for pallet, showing my new design;
 FIG. 2 is a front elevational view thereof, the rear elevational view being symmetrical;
 FIG. 3 is a top plan view thereof;
 FIG. 4 is a bottom plan view thereof; and,
 FIG. 5 is a right side elevational view thereof; the left side being symmetrical.
 The plate is shown broken away in FIGS. 1,3,4 and 5 to show indefinite length.

1 Claim, 2 Drawing Sheets



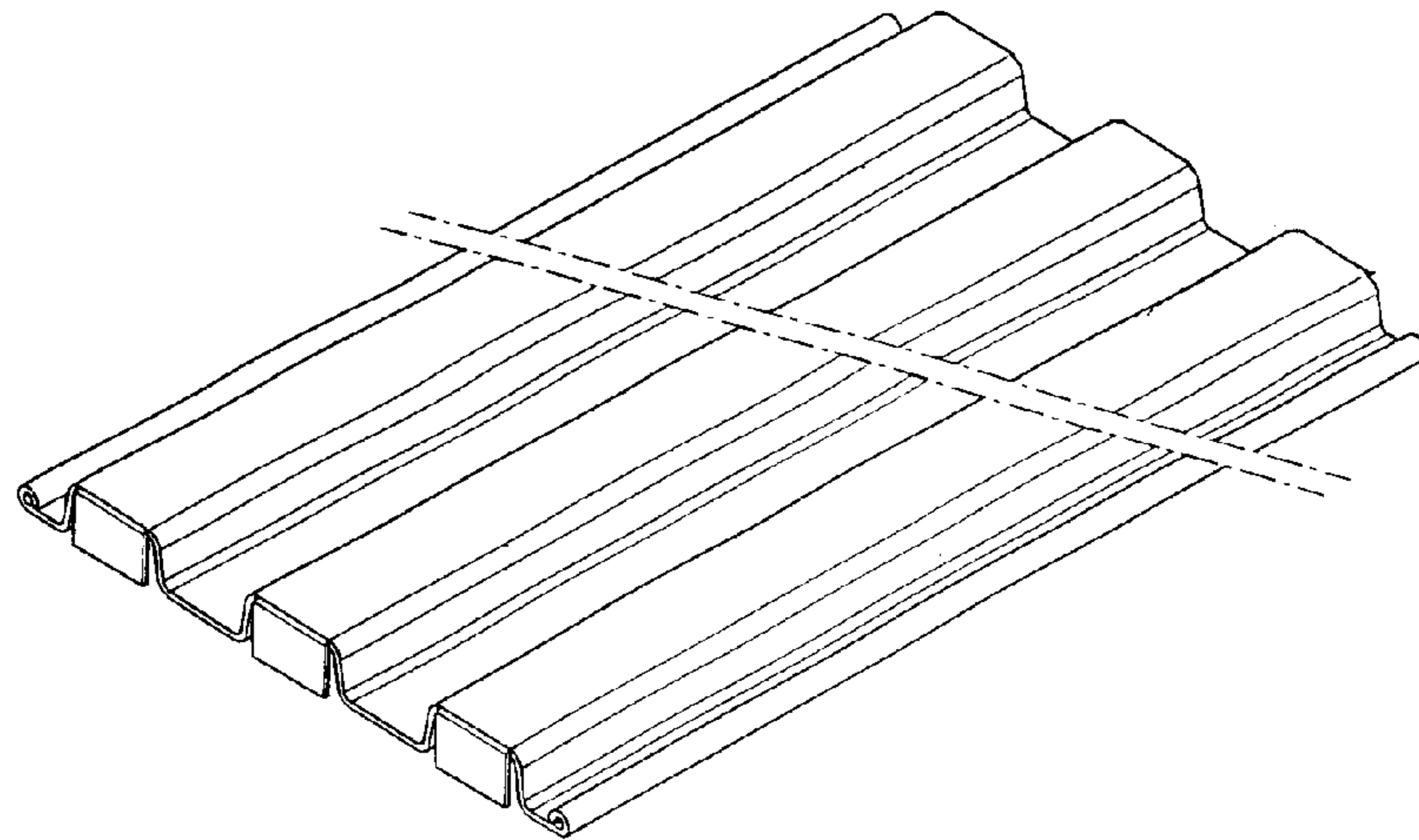


FIG. 1

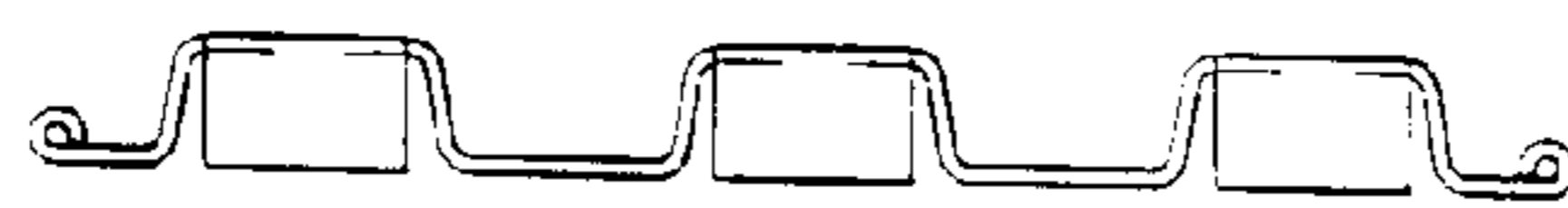


FIG. 2

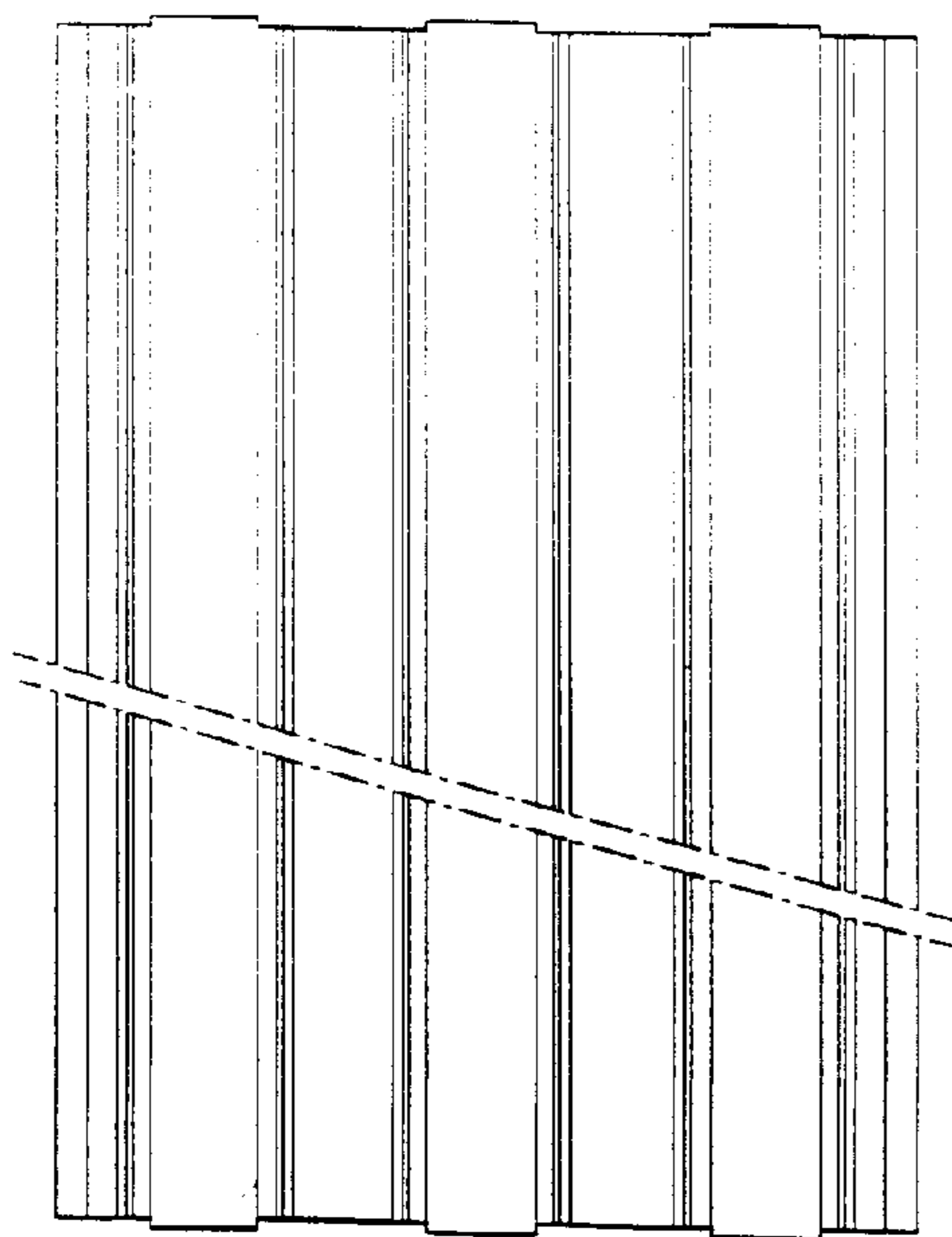


FIG. 3

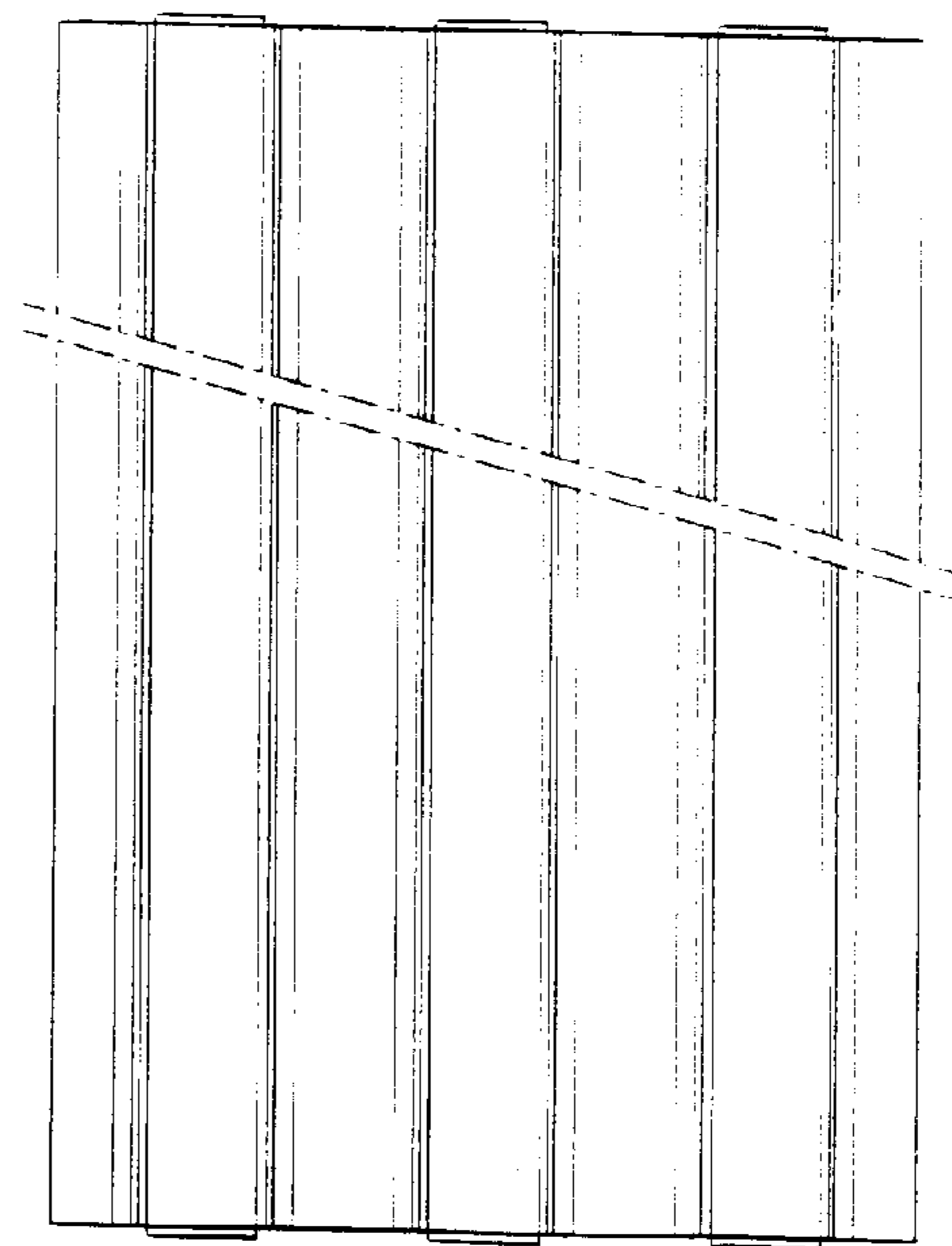


FIG. 4



FIG.5