



US00D533325S

(12) **United States Design Patent**
Bird

(10) **Patent No.:** **US D533,325 S**
(45) **Date of Patent:** **** Dec. 5, 2006**

(54) **DOOR PANEL TRASH BAG WITH
PRESSURE-SENSITIVE ADHESIVE STRIP
FASTENER**

(76) Inventor: **James M. Bird**, 615 N. 500 W., Logan,
UT (US) 84321

(**) Term: **14 Years**

(21) Appl. No.: **29/220,408**

(22) Filed: **Jan. 3, 2005**

(51) **LOC (8) Cl.** **09-09**

(52) **U.S. Cl.** **D34/1; D9/703**

(58) **Field of Classification Search** D34/1,
D34/5, 6; D9/703, 707; 220/9.2, 9.3, 908,
220/909, 910, 911; 224/928; 383/5, 33, 34,
383/203, 204, 205, 210, 211, 52, 104
See application file for complete search history.

(56) **References Cited**

U.S. PATENT DOCUMENTS

D193,534 S	9/1962	Schmier	
3,426,958 A *	2/1969	Gore	383/11
3,589,595 A *	6/1971	White	383/11
3,881,649 A *	5/1975	Krautsack	229/117.12
D246,822 S	1/1978	Stoufer	
D247,427 S	3/1978	Fagniard	
4,764,029 A	8/1988	Abblett	
4,796,300 A *	1/1989	Branson	383/63
4,890,936 A	1/1990	Cooper	
4,948,004 A	8/1990	Chich	
4,988,547 A *	1/1991	Voto et al.	428/35.2
5,027,965 A *	7/1991	Dumars	220/694
5,031,808 A *	7/1991	Dolenc	224/482
5,118,019 A *	6/1992	Harrison	224/563
D329,015 S *	9/1992	Stoyanoff	D9/703

D331,823 S *	12/1992	Quinn	D34/1
5,226,576 A *	7/1993	Ellsworth	224/572
5,356,061 A *	10/1994	Yu	224/275
5,882,116 A *	3/1999	Backus	383/5
5,897,208 A *	4/1999	Tokuda	383/34
D424,926 S	5/2000	Bergh	
D436,031 S *	1/2001	Castaldo	D9/703
D442,754 S *	5/2001	Gregoire	D34/1
6,626,337 B1 *	9/2003	Cox	224/275
6,726,076 B1 *	4/2004	Hernandez	224/675

* cited by examiner

Primary Examiner—Cynthia E. Ramirez

(74) *Attorney, Agent, or Firm*—Donald R. Schoonover

(57) **CLAIM**

I claim the ornamental design for a door panel trash bag with pressure-sensitive adhesive strip fastener, as shown and described.

DESCRIPTION

FIG. 1 is a perspective view of a door panel trash bag with pressure-sensitive adhesive strip fastener showing my new design;

FIG. 2 is a front elevational view thereof;

FIG. 3 is a rear elevational view thereof;

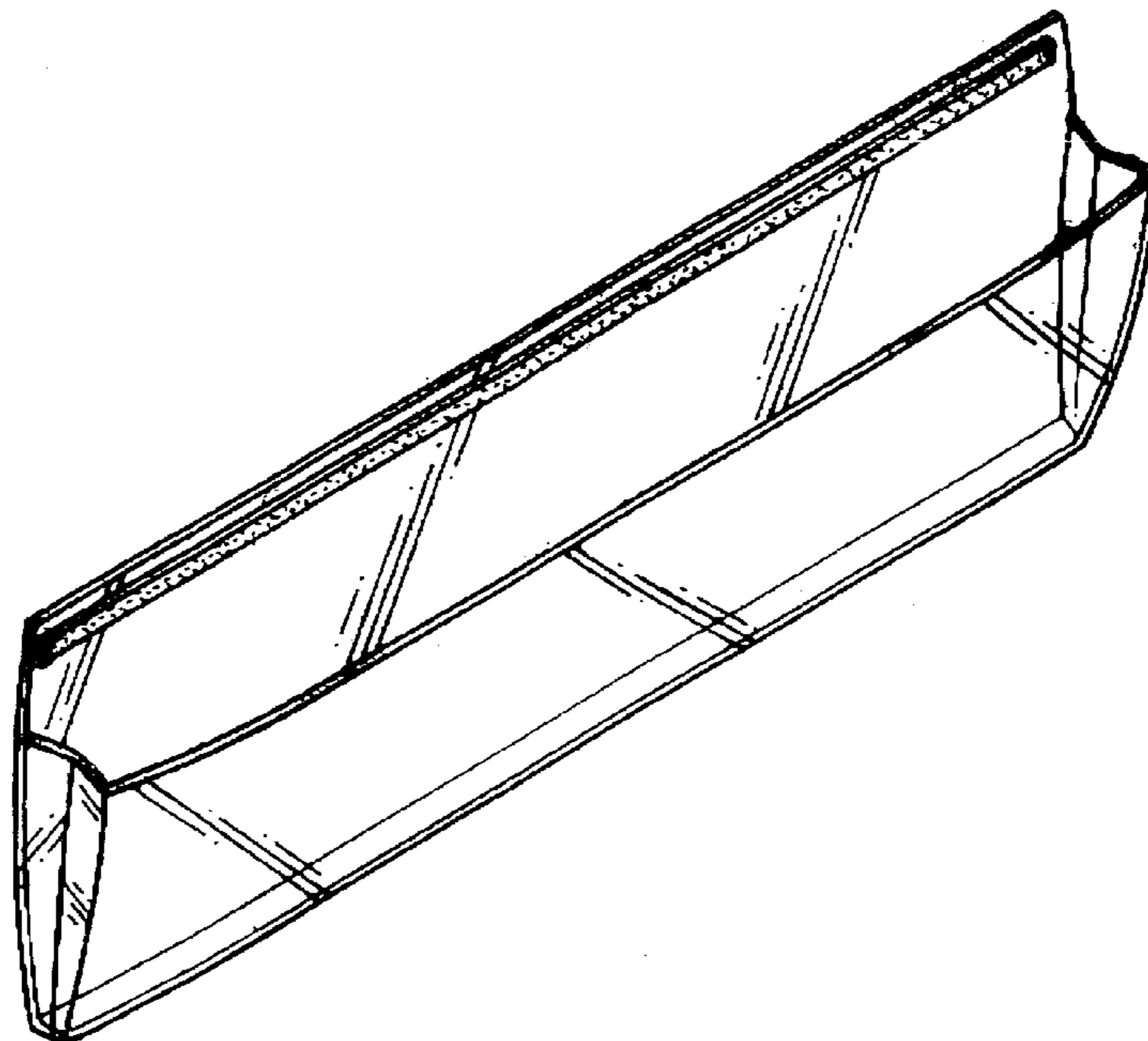
FIG. 4 is a side elevational view thereof, the elevational view of the opposing side being a mirror image thereof;

FIG. 5 is a top plan view thereof;

FIG. 6 is a bottom plan view thereof; and,

FIG. 7 is a reduced front elevational view showing the door panel trash bag with pressure-sensitive adhesive strip fastener in use; the broken lines depict environmental structure for illustrative purposes only and form no part of the claimed design.

1 Claim, 4 Drawing Sheets



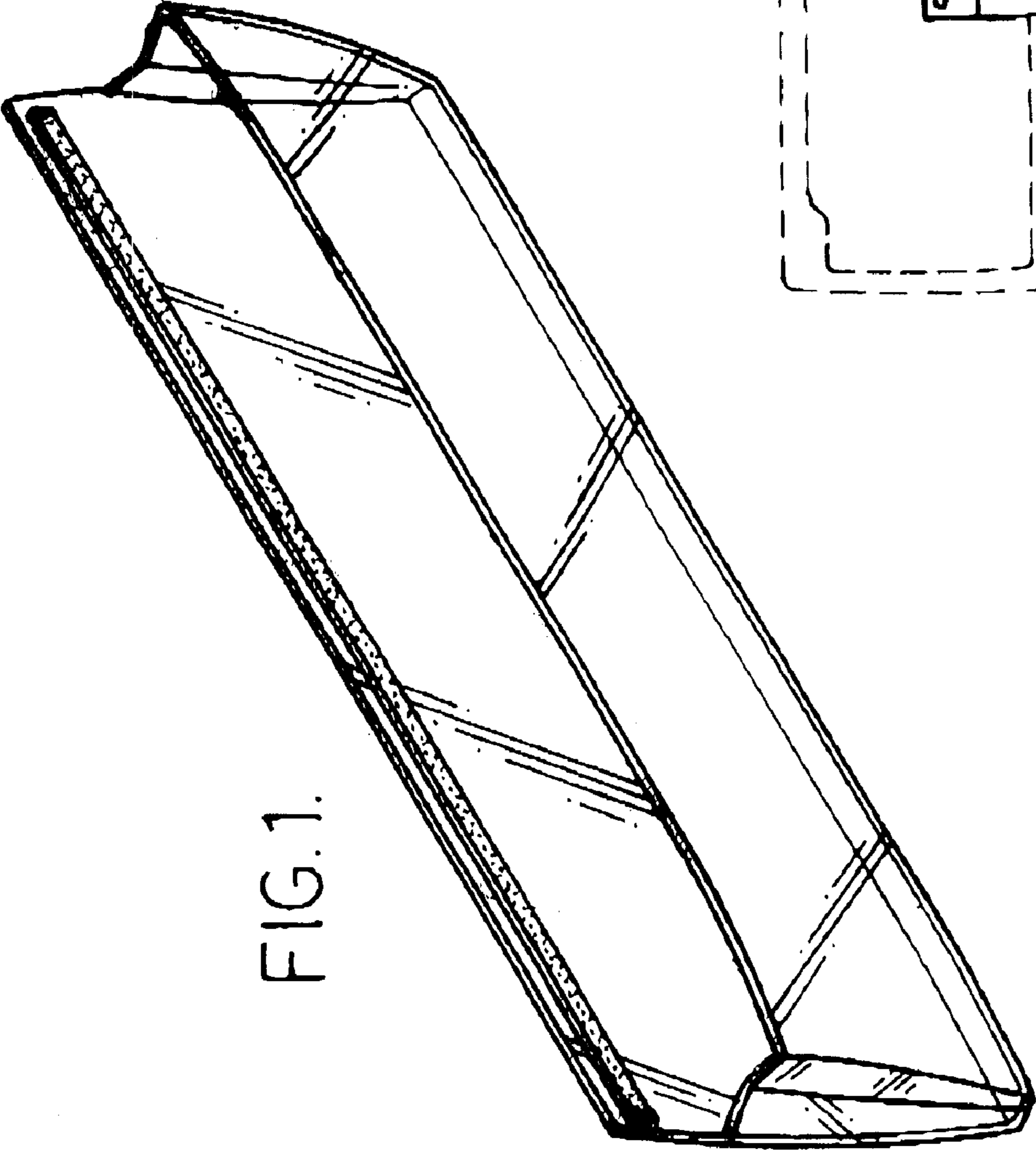


FIG. 1.

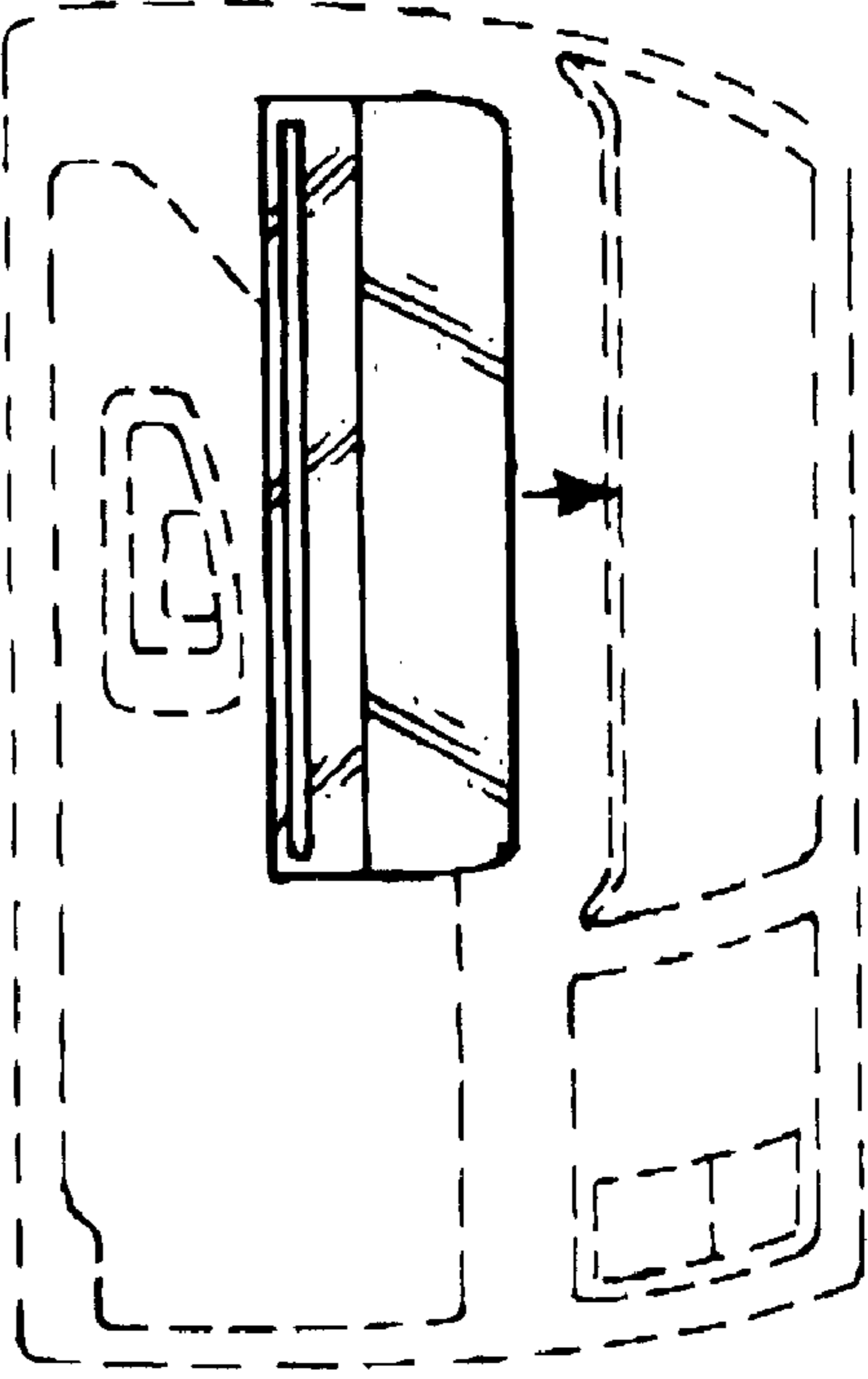


FIG. 7.

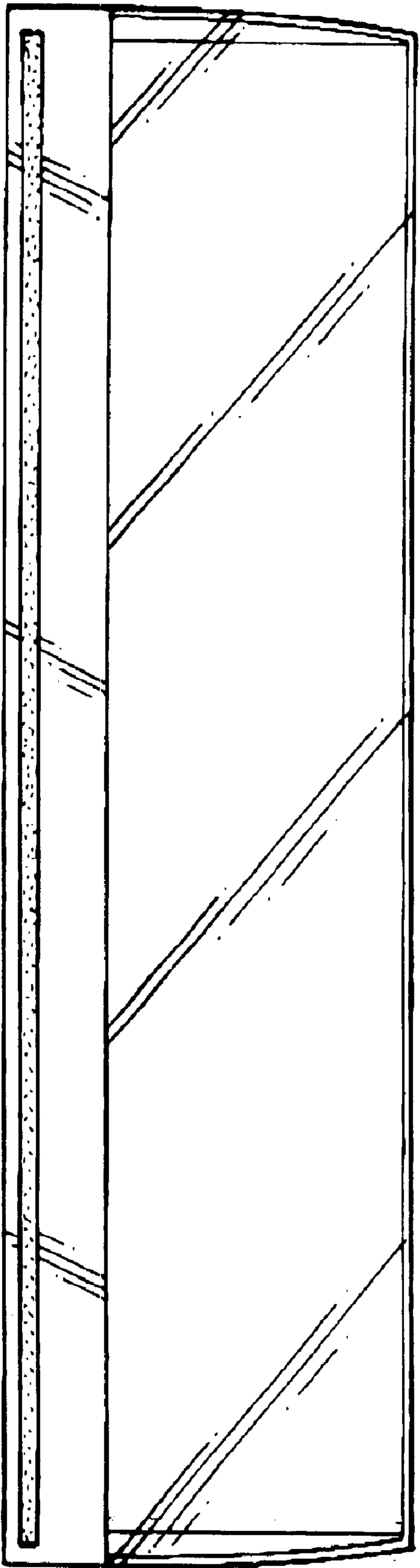


FIG. 2.



FIG. 4.

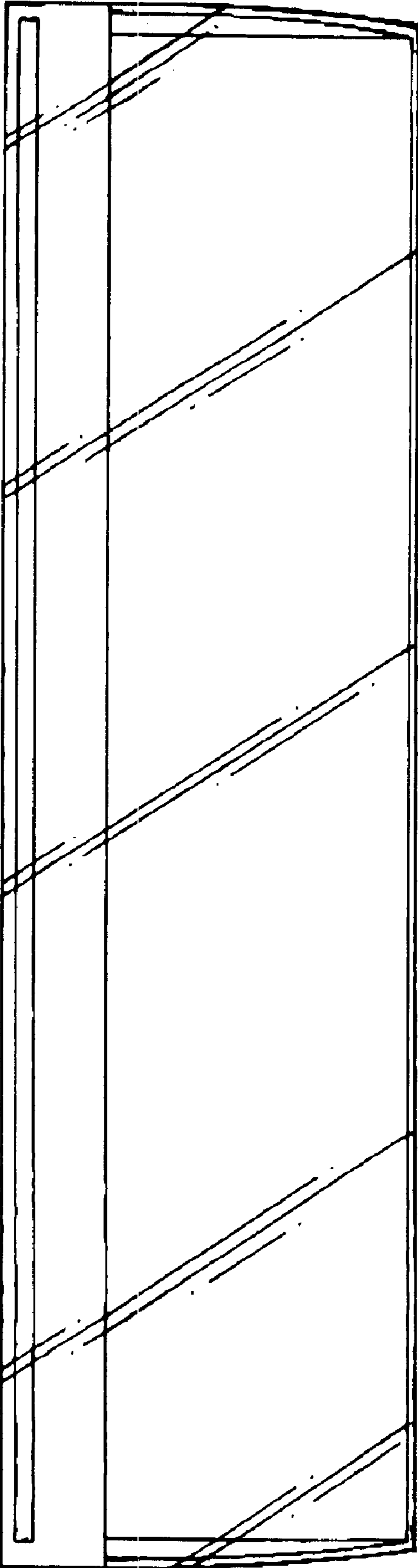


FIG. 3.



FIG. 5.



FIG. 6.