



US00D533324S

(12) **United States Design Patent** (10) **Patent No.:** **US D533,324 S**
Hay (45) **Date of Patent:** **** Dec. 5, 2006**

(54) **CLEANING IMPLEMENT**

(75) Inventor: **Christopher James Mccaughan Hay**,
Causeway Bay (HK)

(73) Assignee: **Hayco Manufacturing Limited**,
Causeway Bay (HK)

(**) Term: **14 Years**

(21) Appl. No.: **29/200,393**

(22) Filed: **Feb. 27, 2004**

(51) **LOC (8) Cl.** **04-01**

(52) **U.S. Cl.** **D32/42; D32/51**

(58) **Field of Classification Search** D32/40-42,
D32/49-52; 15/117, 121, 143.1, 144.1, 209.1,
15/210.1, 220.1, 236.02, 244.1, 245; 16/429,
16/430

See application file for complete search history.

(56) **References Cited**

U.S. PATENT DOCUMENTS

82,705 A * 10/1868 Gibson 15/111
674,962 A * 5/1901 Cumming 15/245
1,778,121 A * 10/1930 Paull 15/244.1 X
2,640,214 A * 6/1953 Zimmerman 15/121
2,658,218 A * 11/1953 Carreiro 15/121 X

FOREIGN PATENT DOCUMENTS

EP 0074525 A1 * 3/1983

* cited by examiner

Primary Examiner—Alan P. Douglas
Assistant Examiner—Lavone D. Tabor

(74) *Attorney, Agent, or Firm*—Buchanan Ingersoll &
Rooney PC

(57) **CLAIM**

The ornamental design for a “cleaning implement,” as
shown and described.

DESCRIPTION

FIG. 1 is a perspective view showing a first embodiment of
a “cleaning implement” incorporating the design;

FIG. 2 is a top view thereof;

FIG. 3 is a bottom view thereof;

FIG. 4 is a front view thereof;

FIG. 5 is a rear view thereof;

FIG. 6 is a side view thereof;

FIG. 7 is another side view thereof;

FIG. 8 is a perspective view showing a second embodiment
of a “cleaning implement” incorporating the design;

FIG. 9 is a top view thereof;

FIG. 10 is a bottom view thereof;

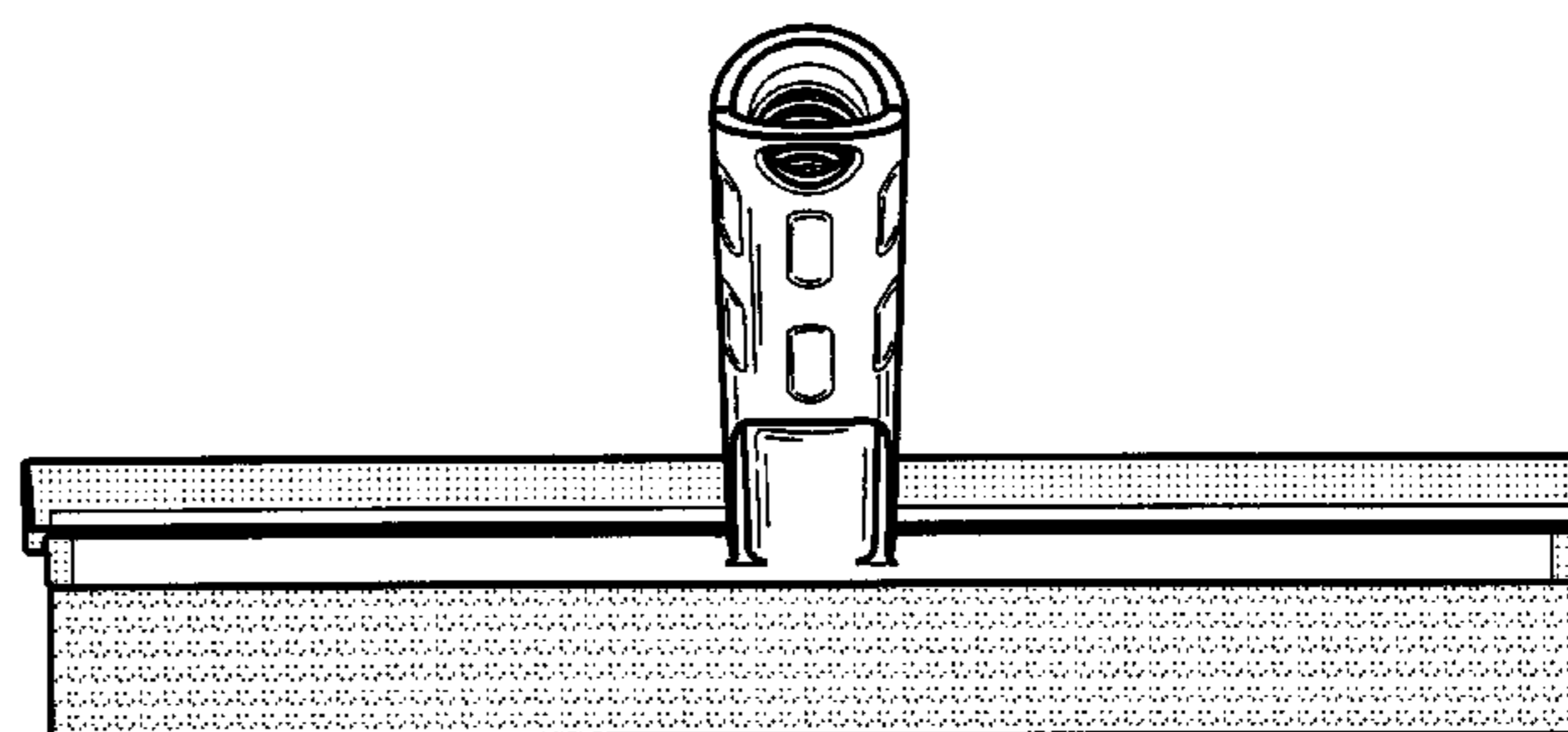
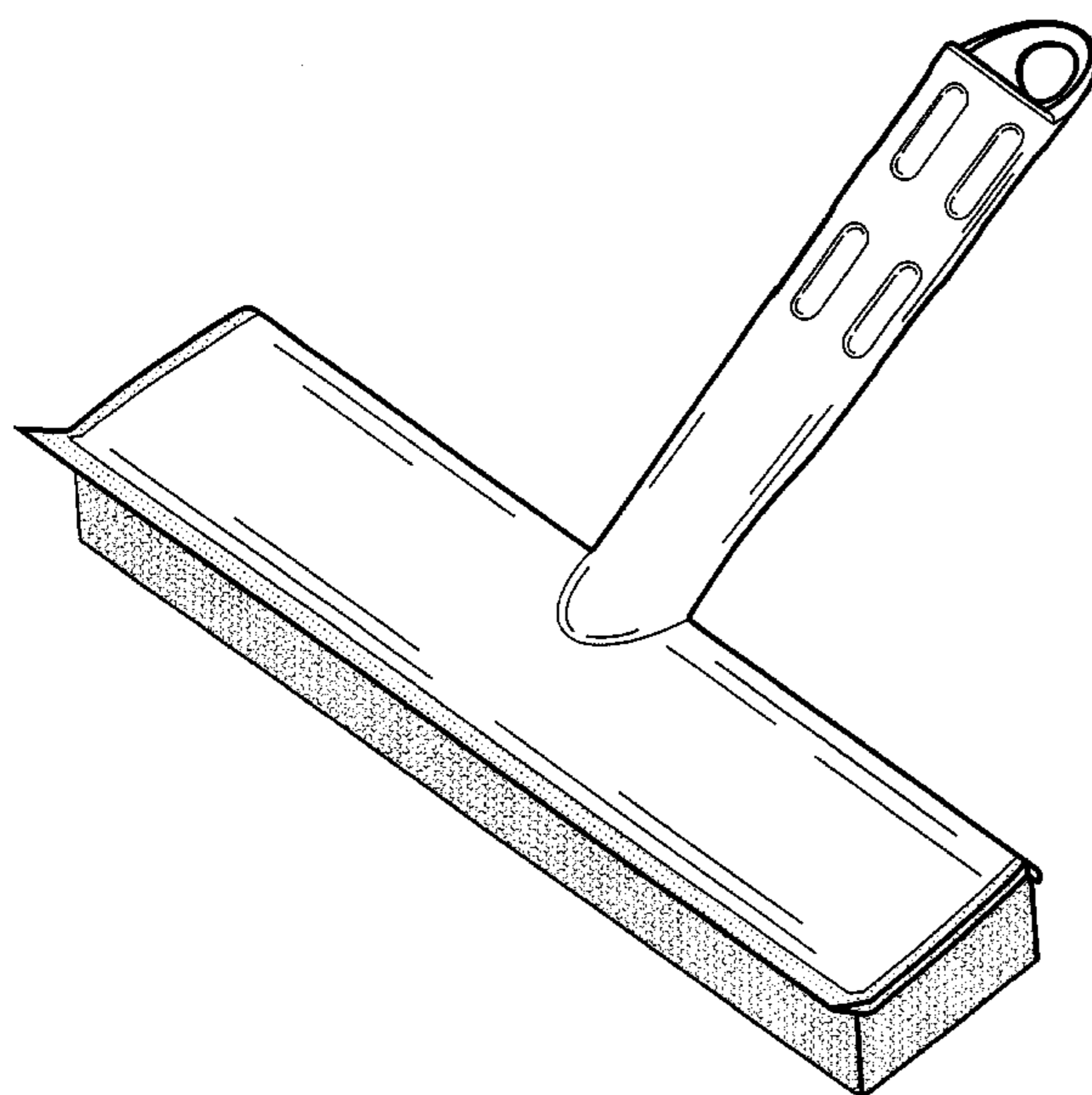
FIG. 11 is a front view thereof;

FIG. 12 is a rear view thereof;

FIG. 13 is a side view thereof; and,

FIG. 14 is another side view thereof.

1 Claim, 14 Drawing Sheets



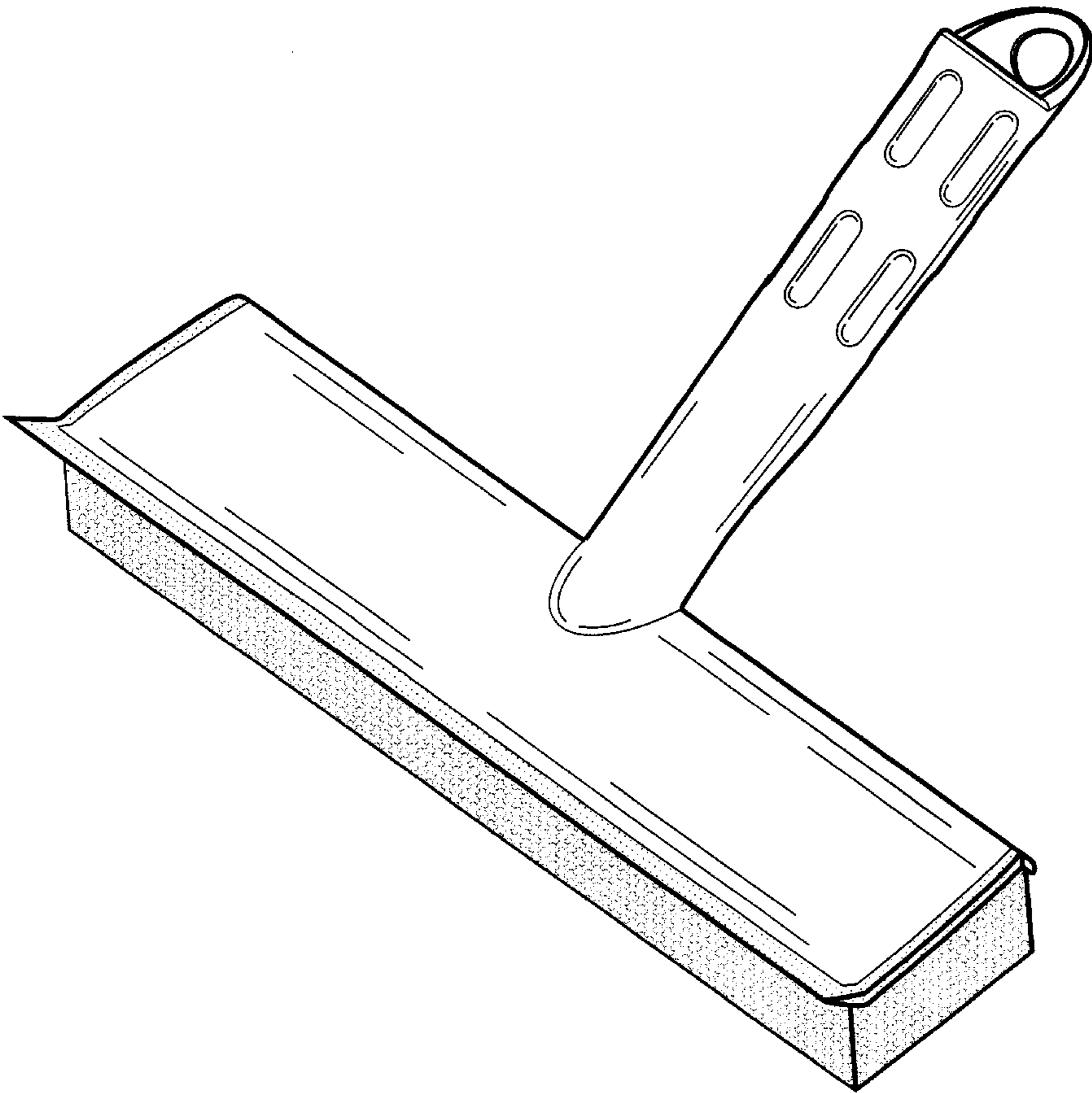


FIG:1

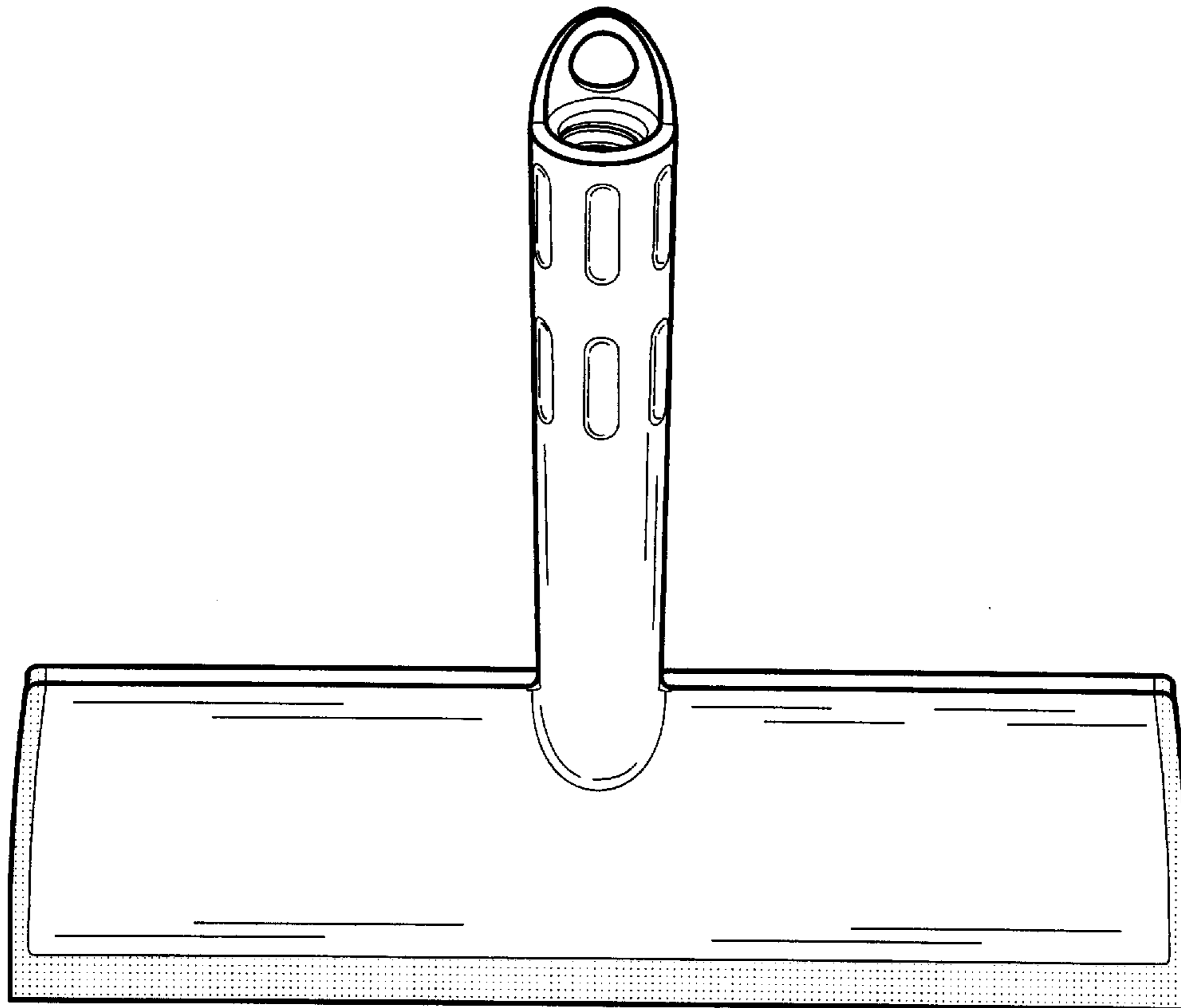


FIG:2

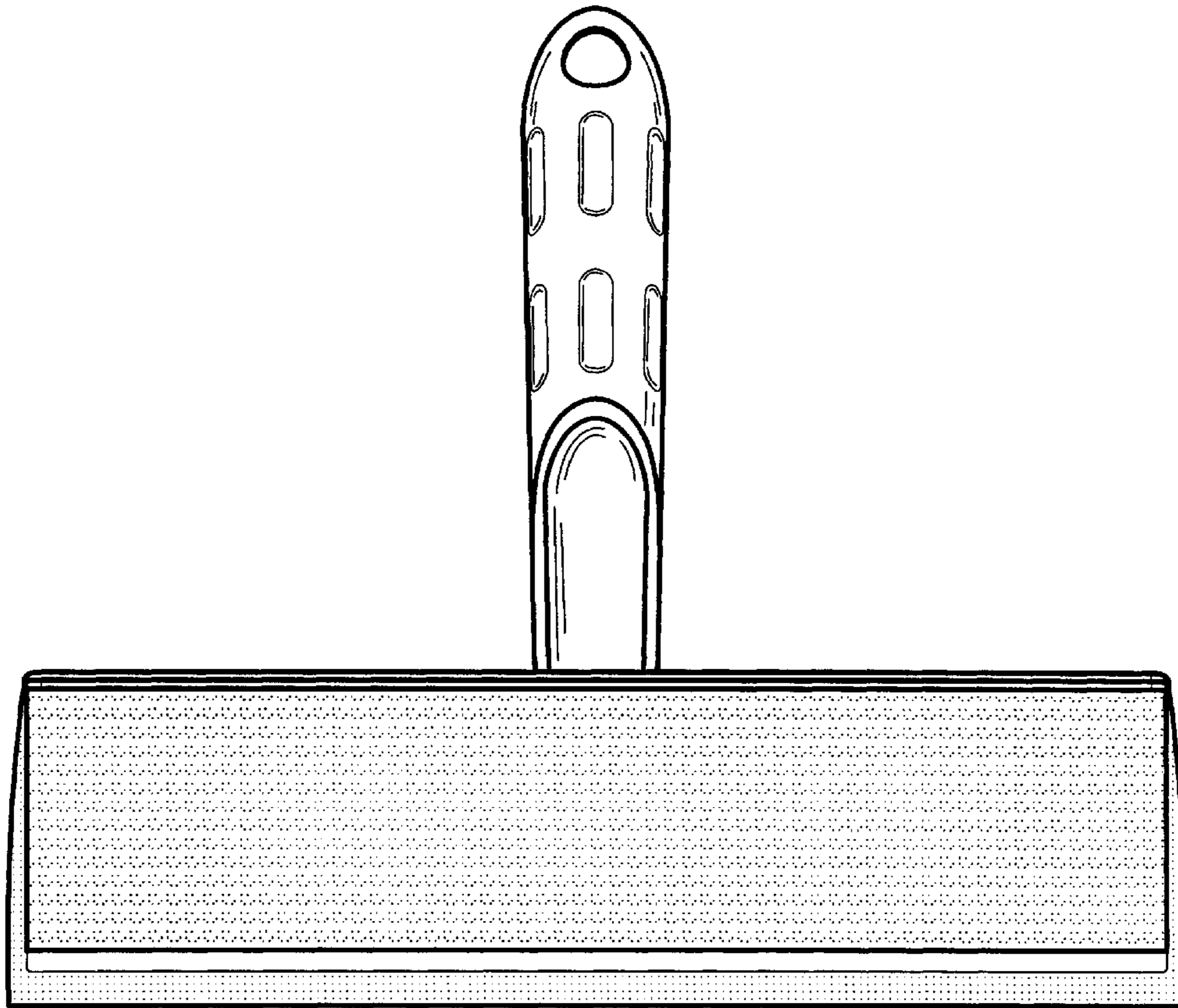


FIG:3

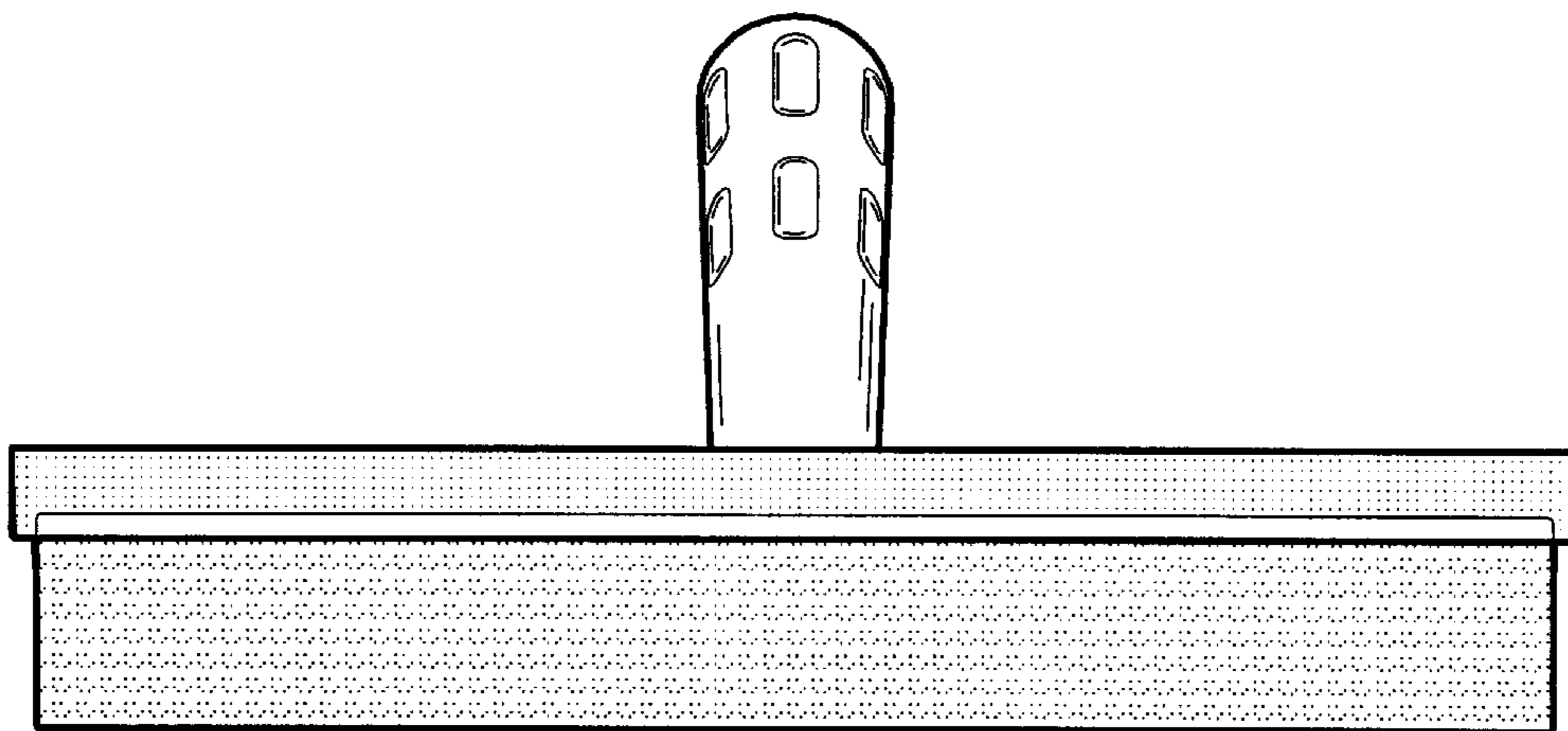


FIG:4

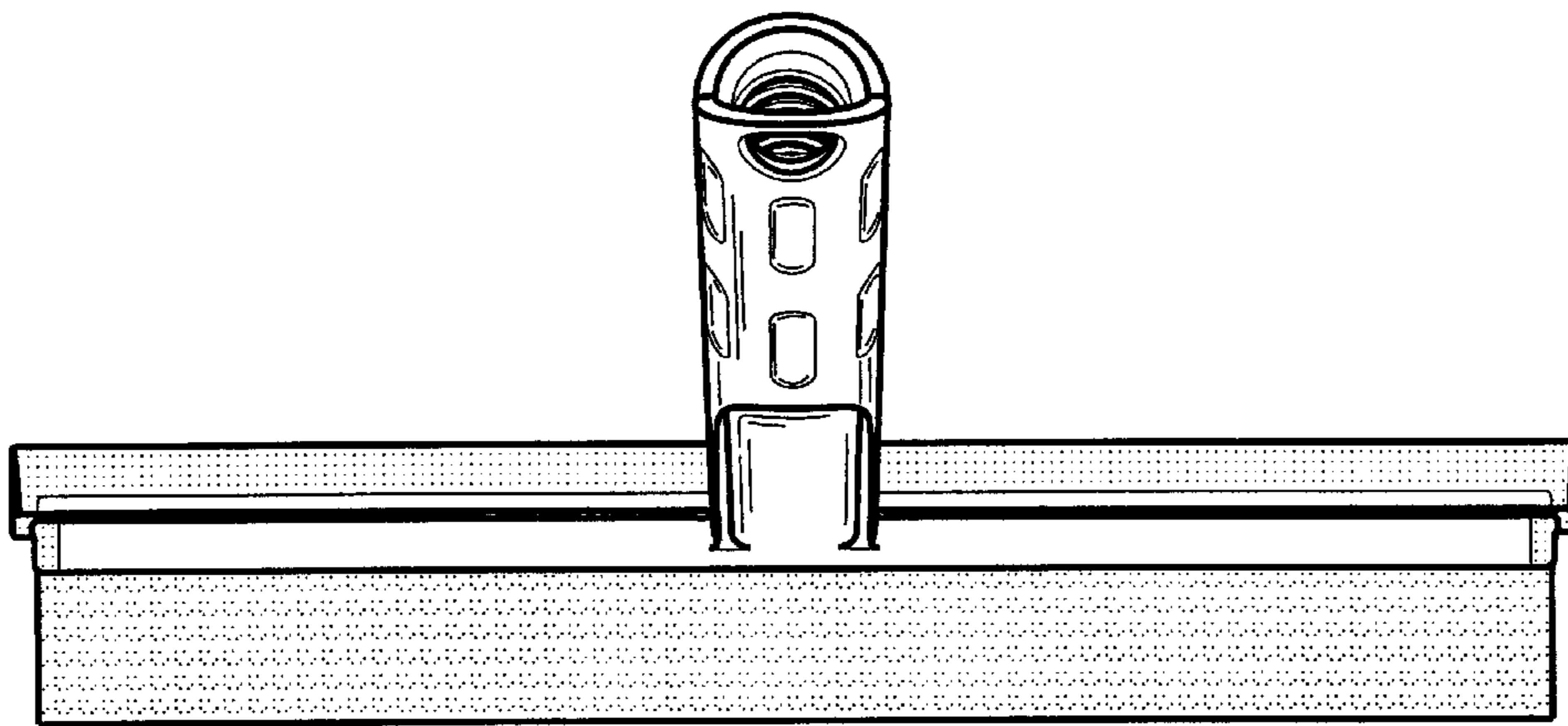


FIG:5

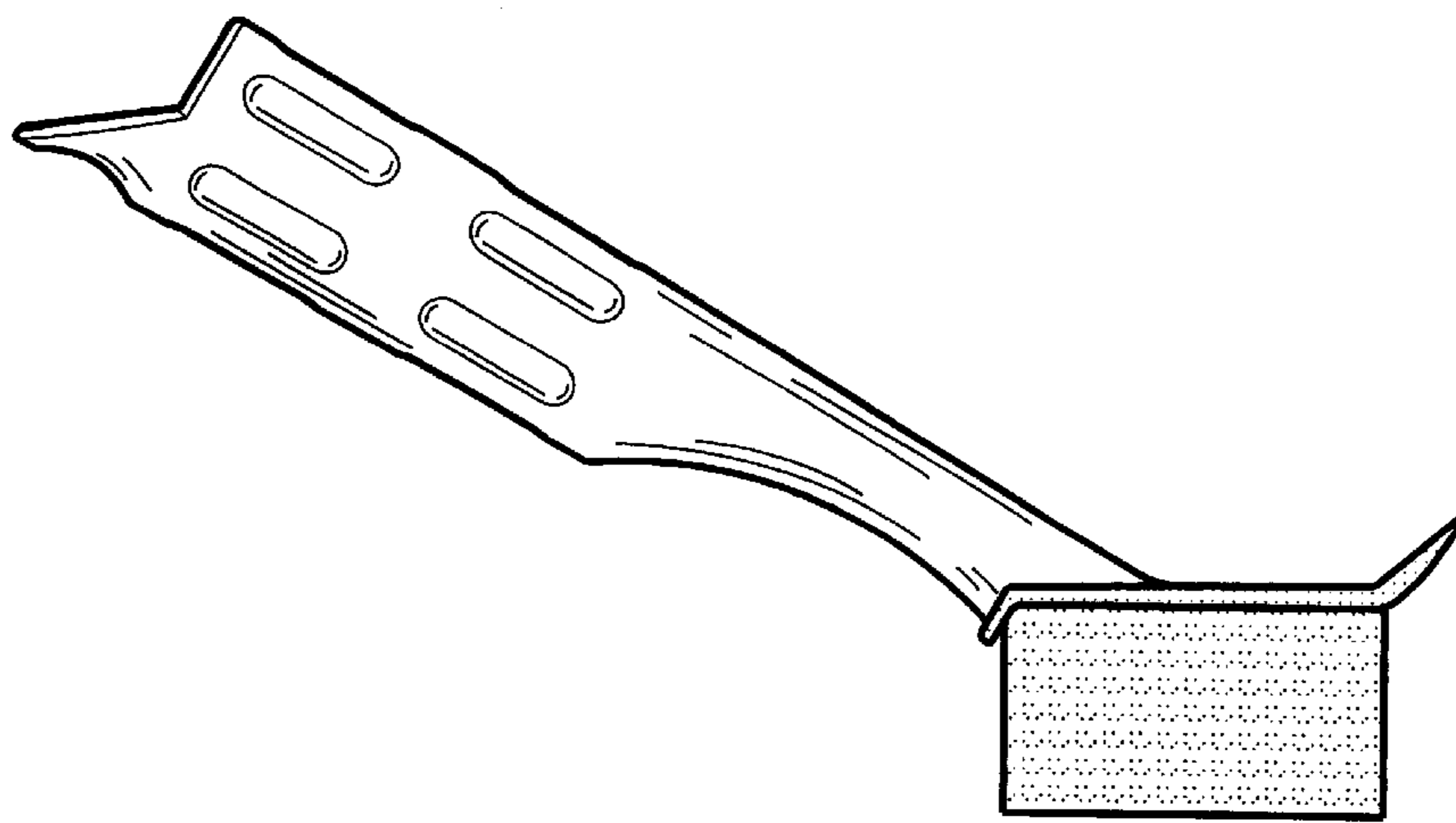


FIG:6

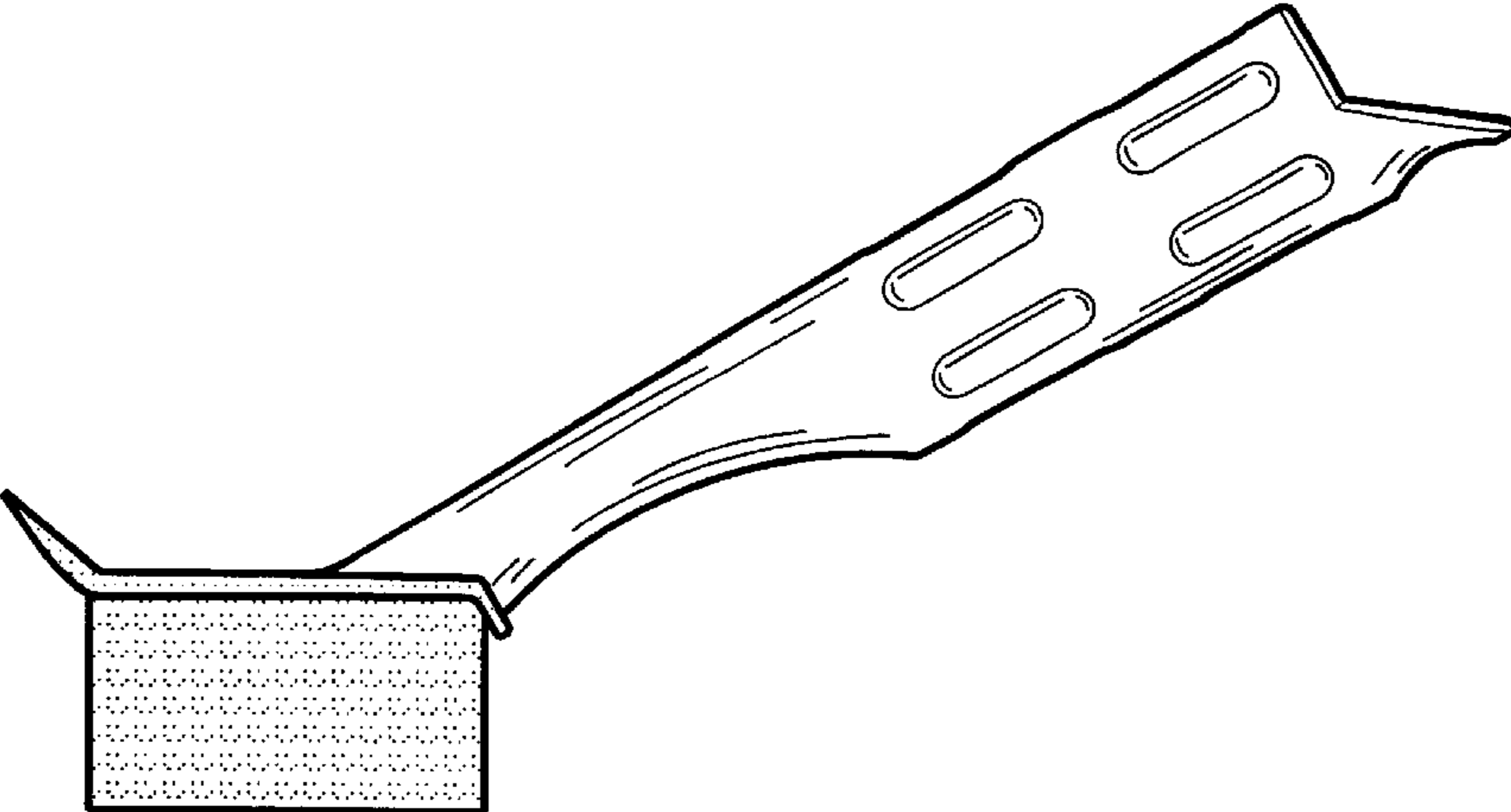


FIG:7

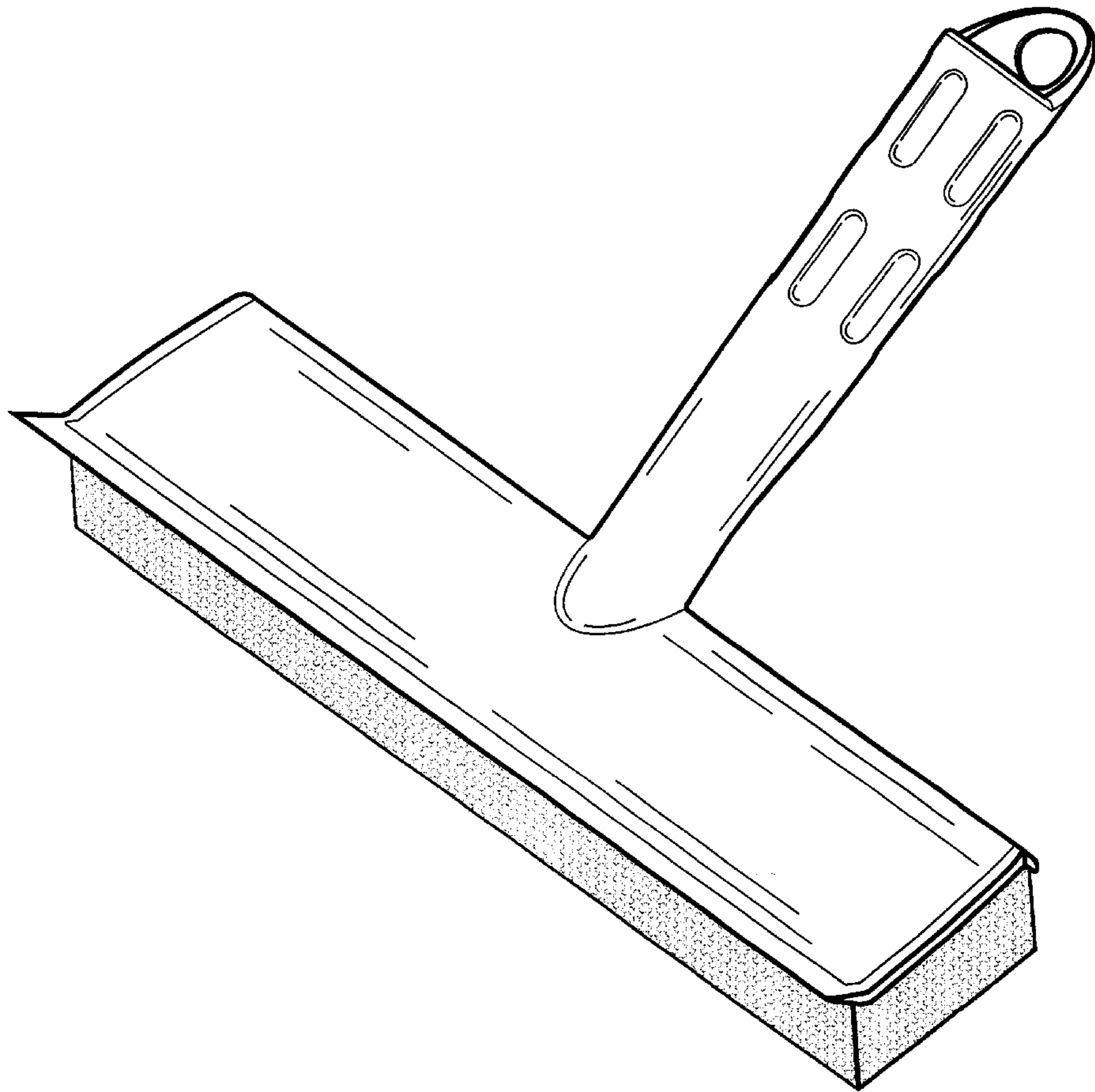


FIG:8

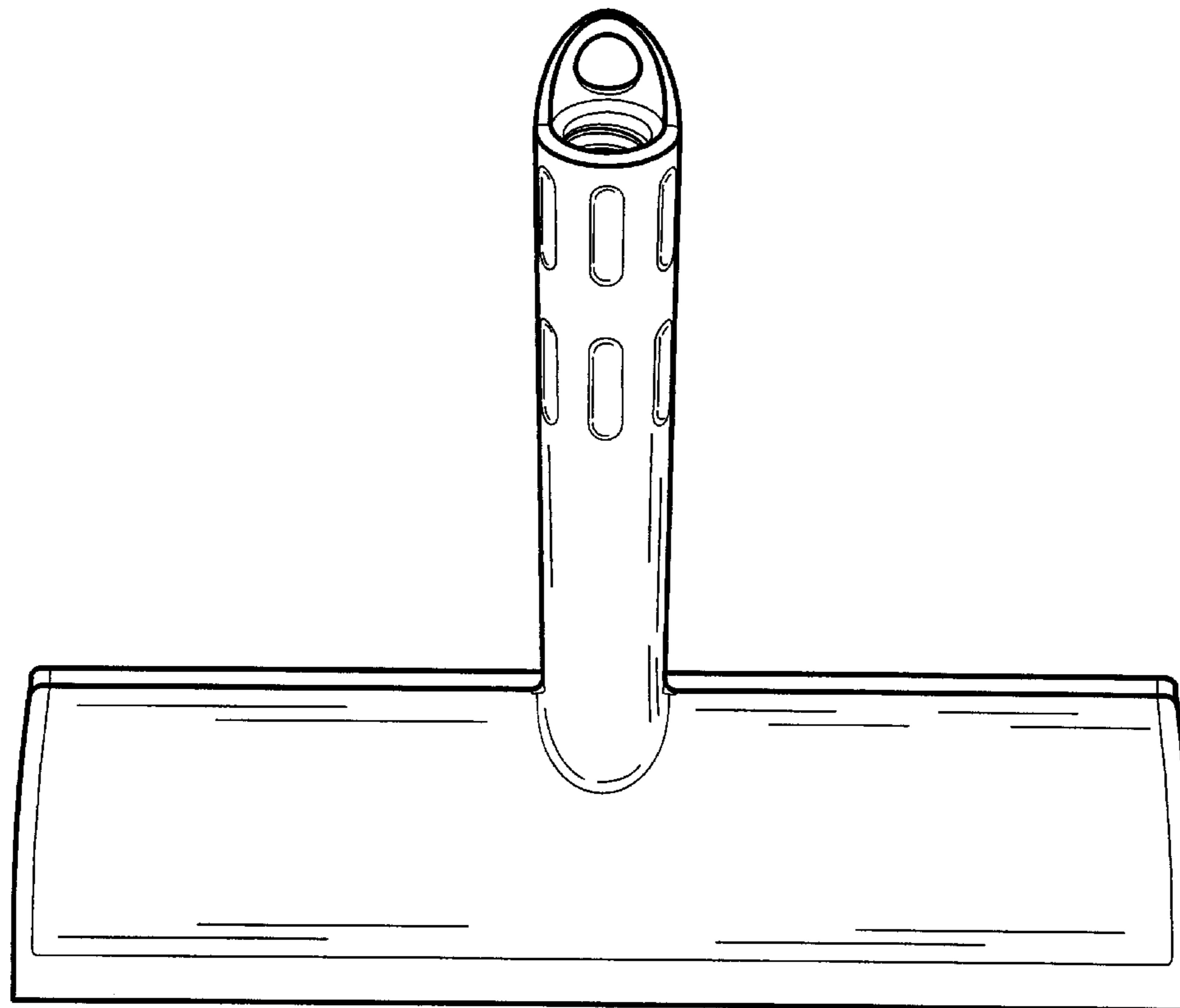


FIG:9

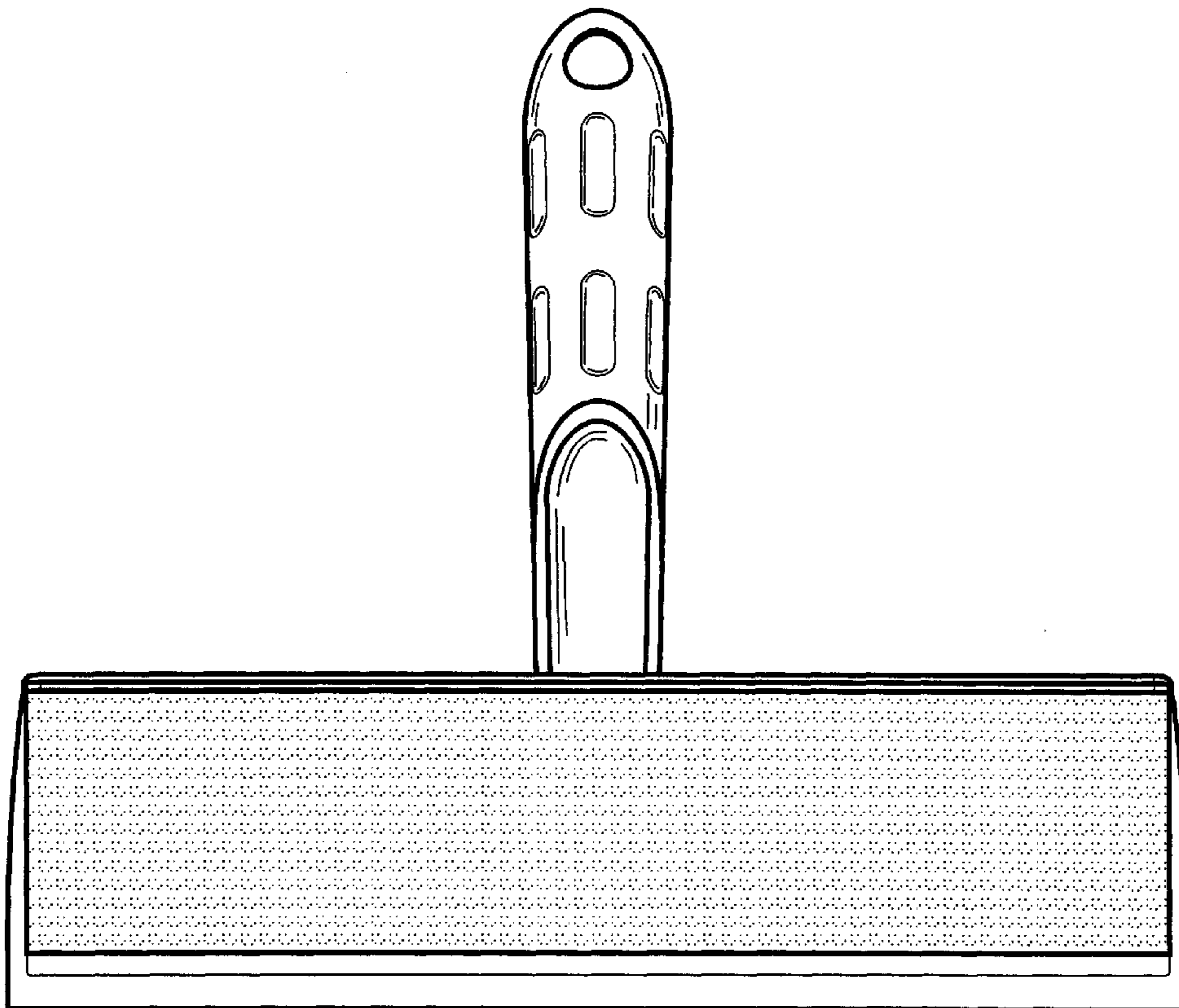


FIG:10

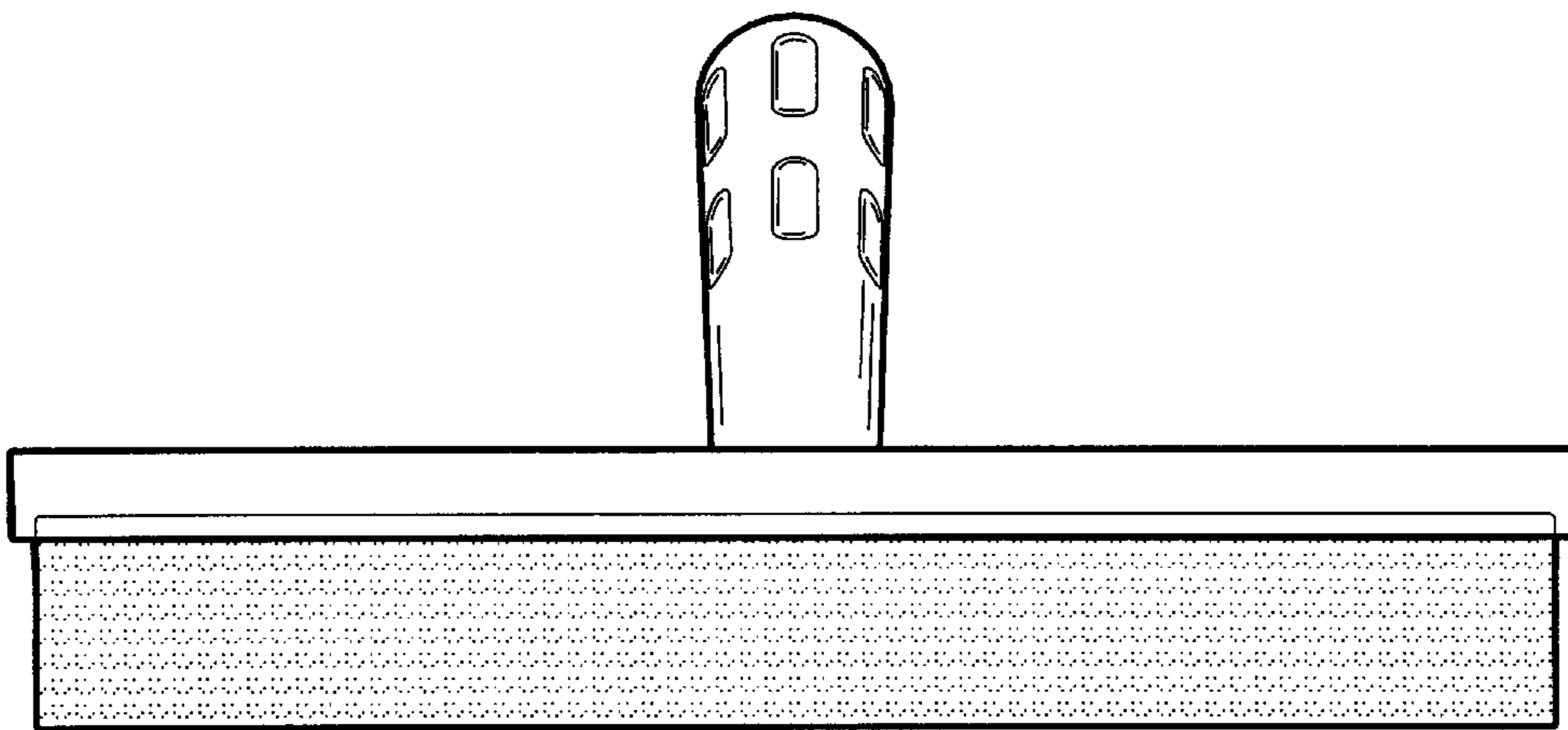


FIG:11

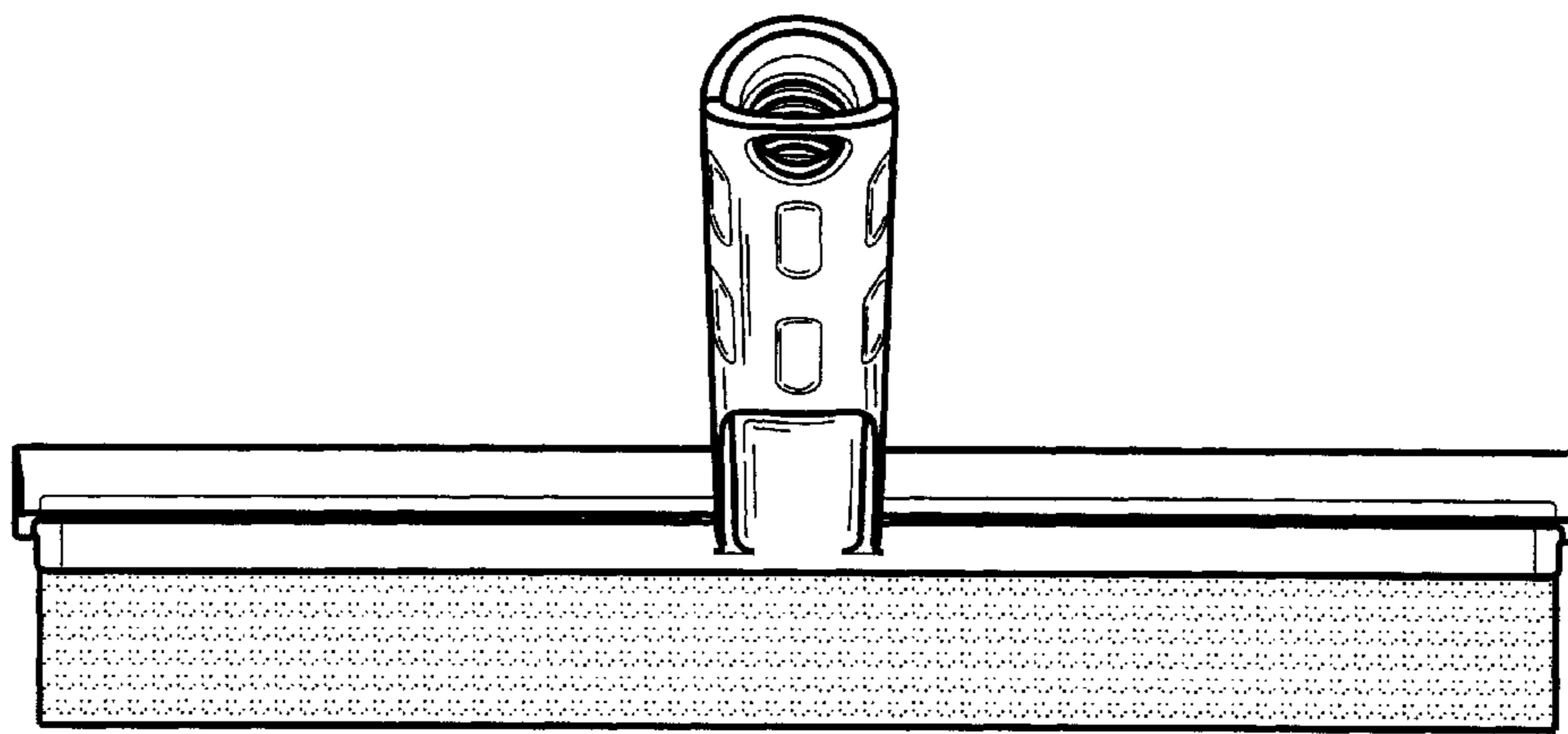


FIG:12

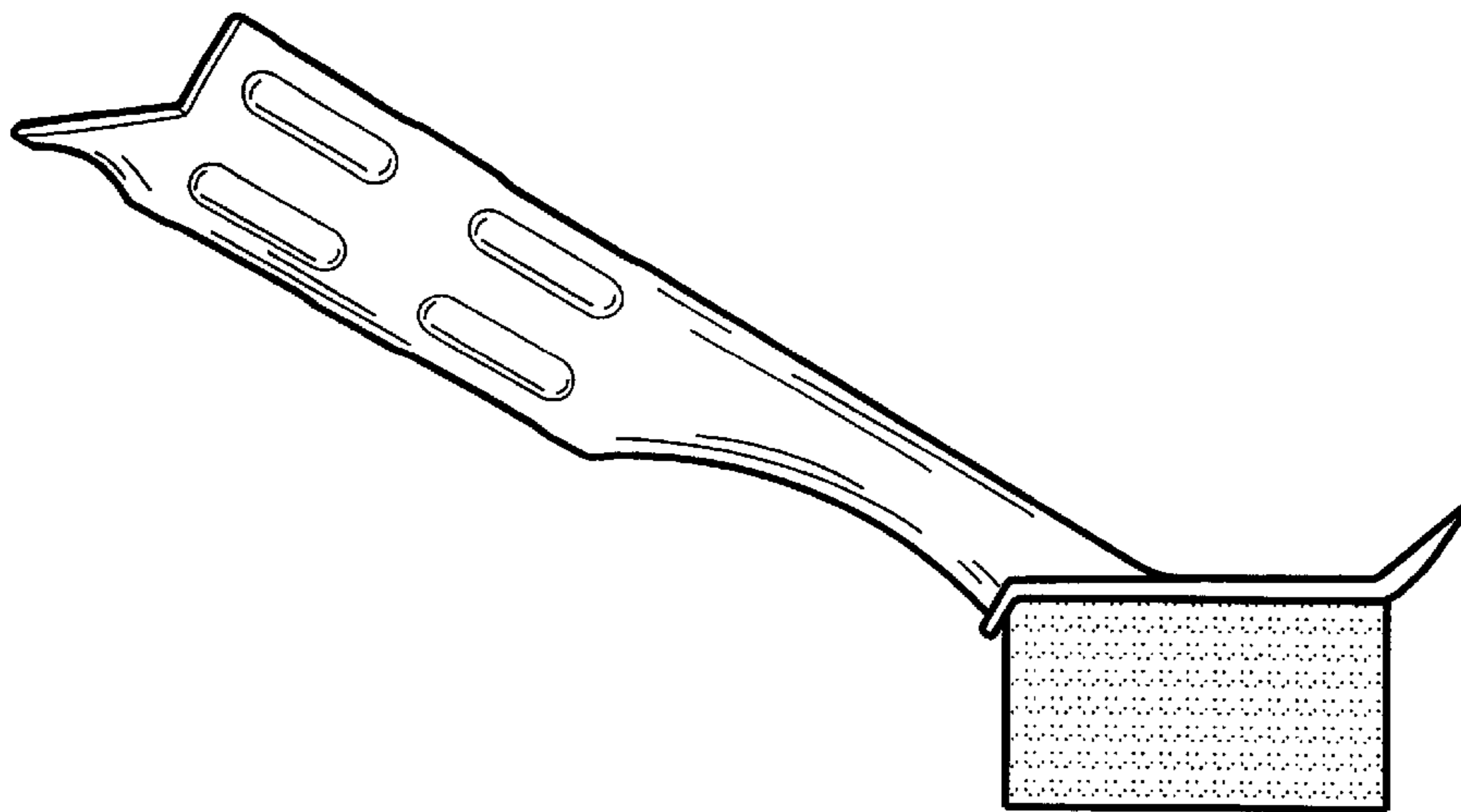


FIG:13

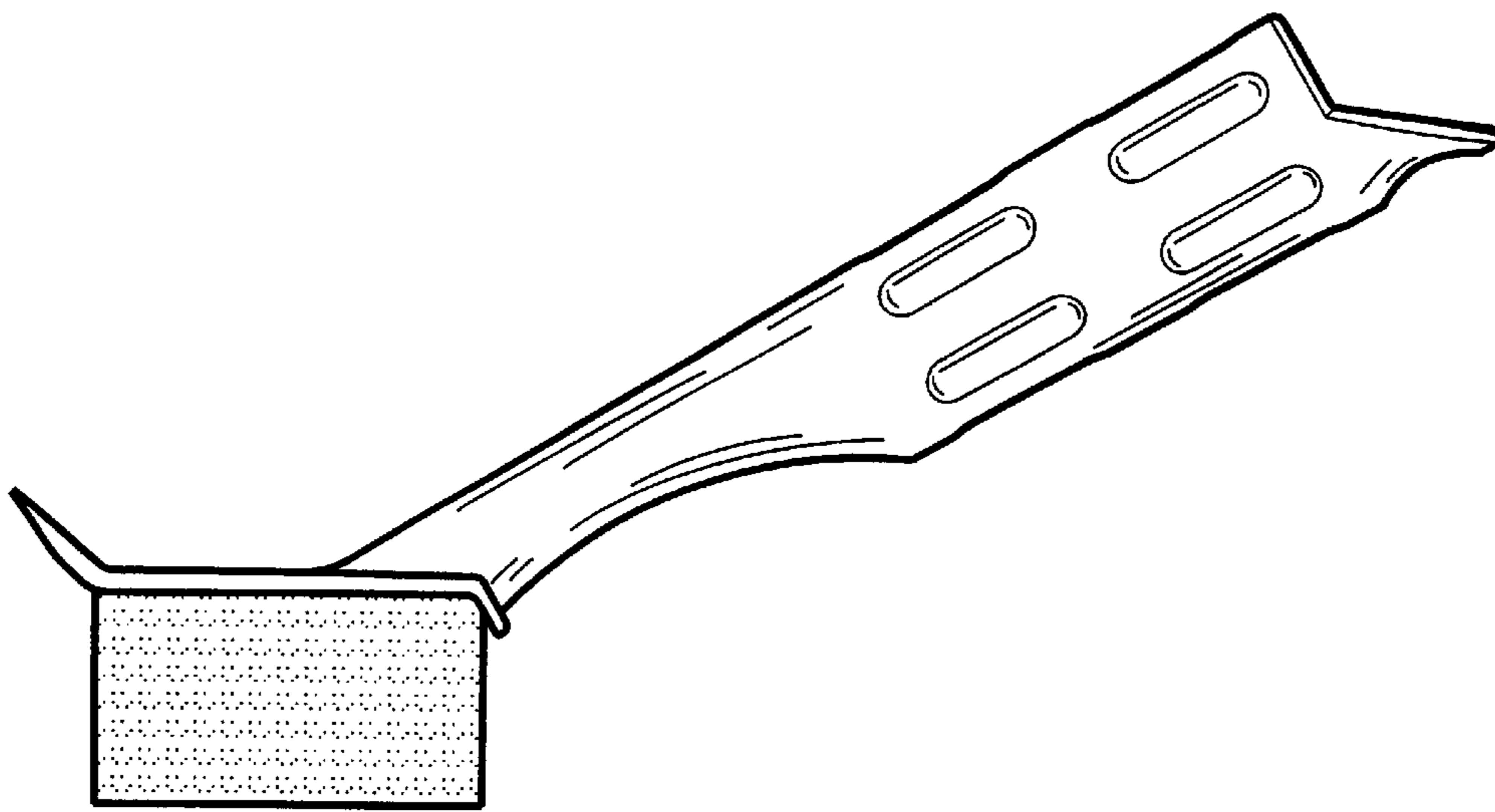


FIG:14