



US00D533322S

(12) **United States Design Patent**
Blateri

(10) **Patent No.:** **US D533,322 S**

(45) **Date of Patent:** **** Dec. 5, 2006**

(54) **BLOWER ATTACHMENT**

(75) **Inventor:** **Frank Blateri**, Coppell, TX (US)

(73) **Assignee:** **Diani, LLC**, Dallas, TX (US)

(**) **Term:** **14 Years**

(21) **Appl. No.:** **29/256,699**

(22) **Filed:** **Mar. 23, 2006**

(51) **LOC (8) Cl.** **15-05**

(52) **U.S. Cl.** **D32/25**

(58) **Field of Classification Search** D32/1,
D32/15, 25, 17, 31-33, 24; D23/223, 213;
15/415.1, 322, 422.1, 313, 330, 335, 344;
239/589, 597, 598-599

See application file for complete search history.

(56) **References Cited**

U.S. PATENT DOCUMENTS

D91,099 S * 11/1933 Becker D32/32
D185,697 S * 7/1959 Descaries D32/31
D350,722 S * 9/1994 Figueroa D12/345

D357,774 S * 4/1995 Kishi D32/25
D377,248 S * 1/1997 Kishi D32/32
D382,683 S * 8/1997 Henke et al. D32/25
5,991,973 A * 11/1999 Simpson 15/402

* cited by examiner

Primary Examiner—Louis S. Zarfaz

Assistant Examiner—Kathleen Sims

(74) *Attorney, Agent, or Firm*—Haynes and Boone, LLP

(57) **CLAIM**

The design for a blower attachment, as shown and described.

DESCRIPTION

FIG. 1 is a isometric view of my new design of a blower attachment;

FIG. 2 is a front elevational view thereof;

FIG. 3 is a side elevational view thereof;

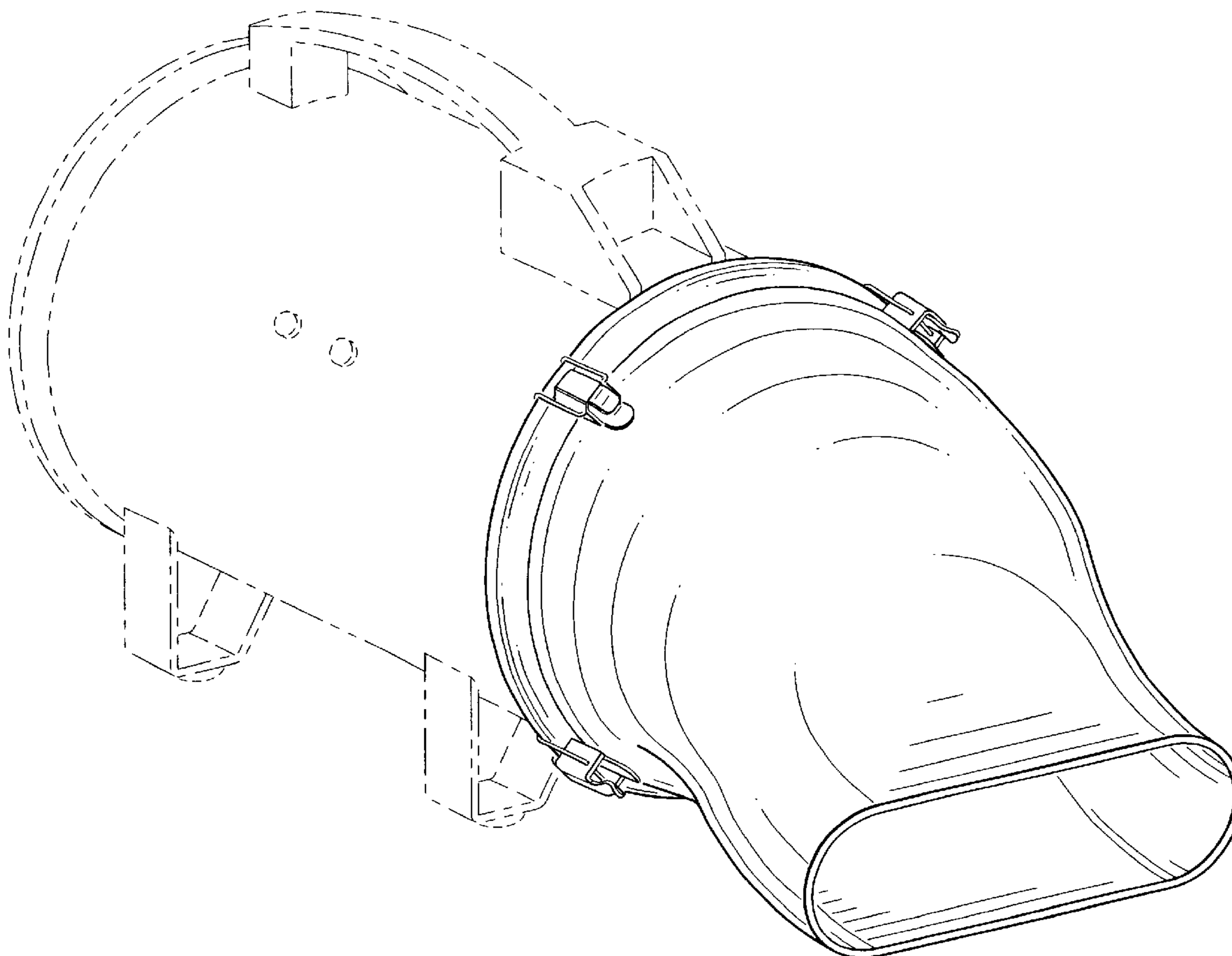
FIG. 4 is a rear elevational view thereof;

FIG. 5 is a top plan view thereof; and,

FIG. 6 is a bottom plan view thereof.

The broken line showing is for illustrative purposes only and forms no part of the claimed design.

1 Claim, 2 Drawing Sheets



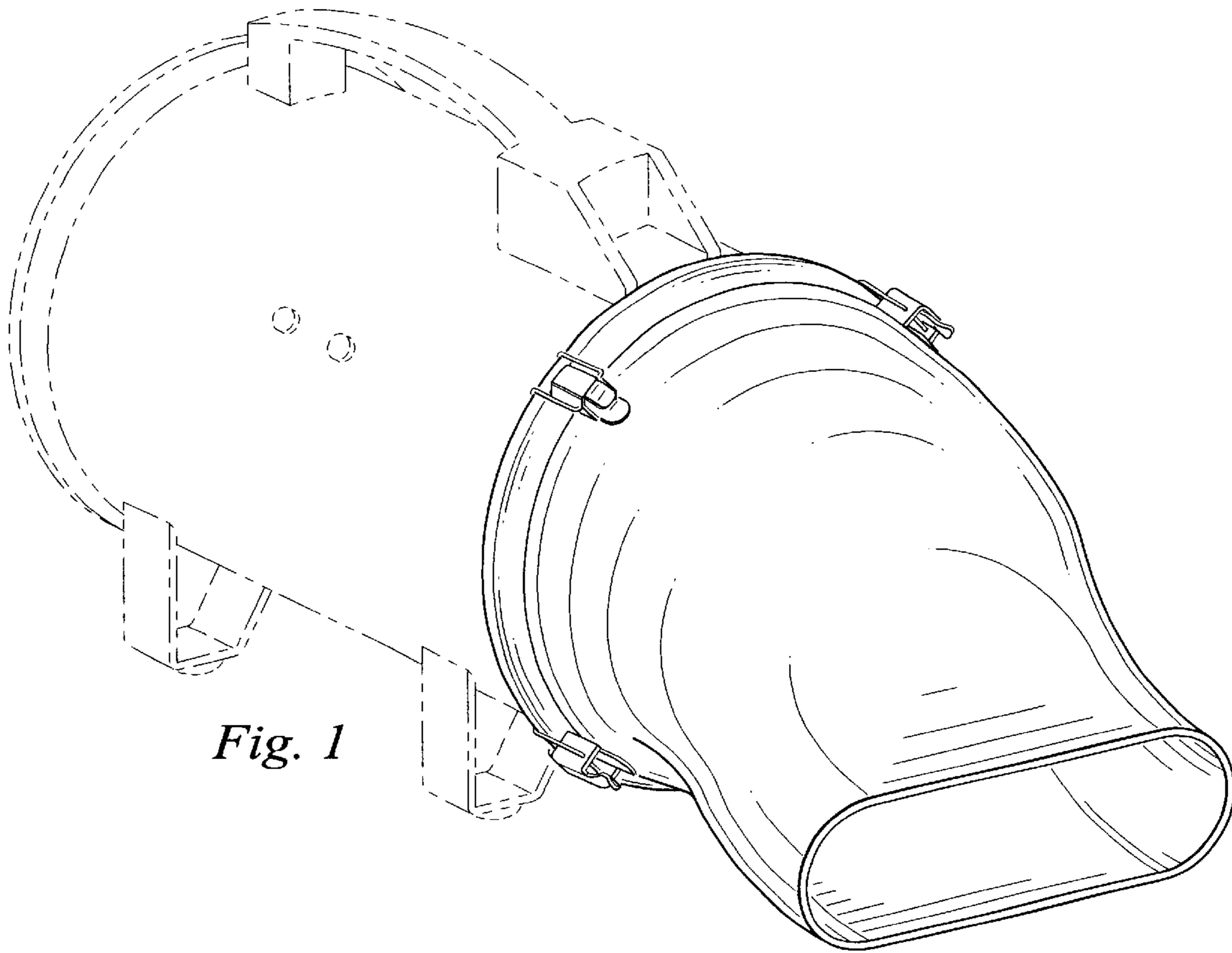


Fig. 1

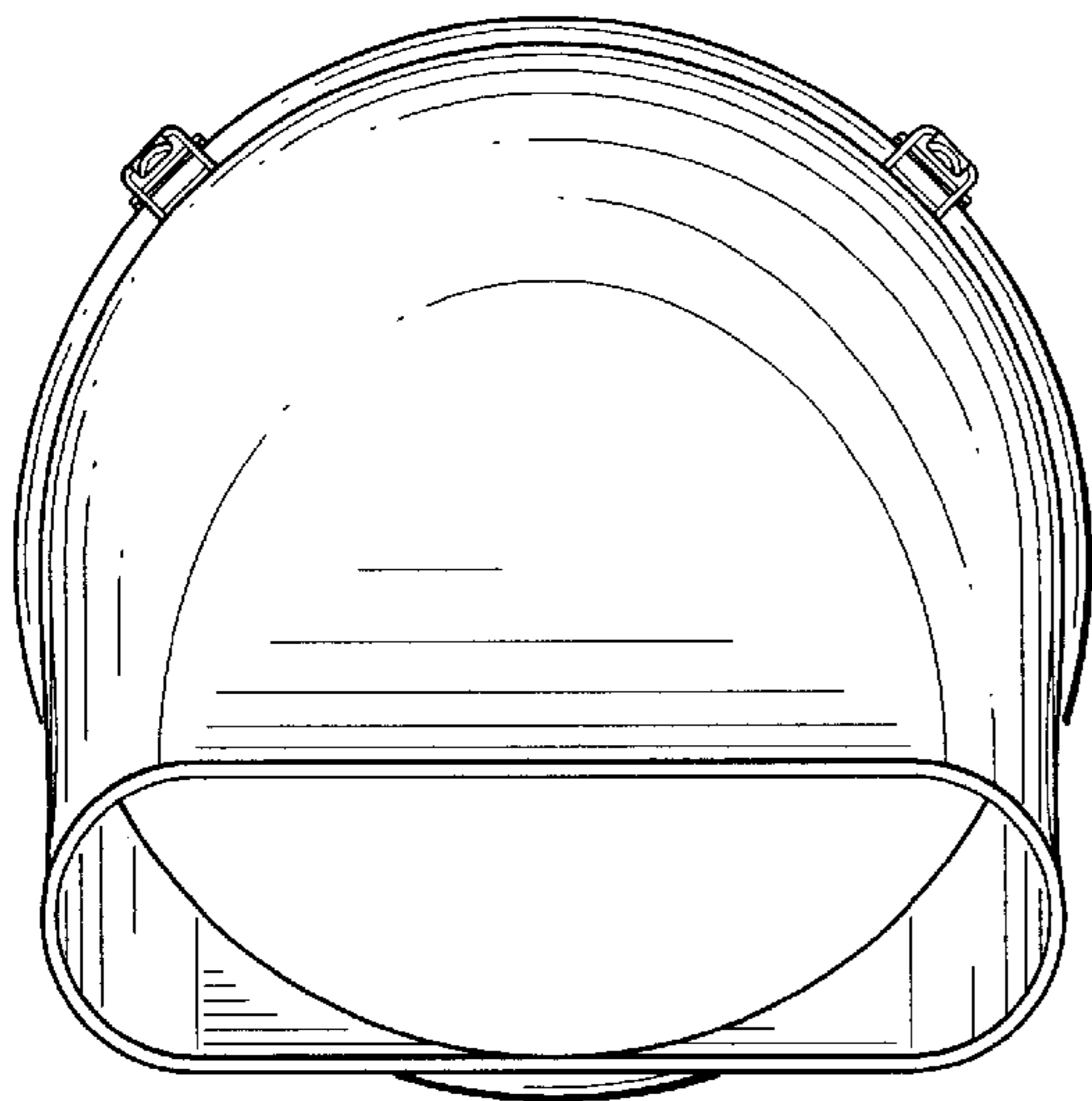


Fig. 2

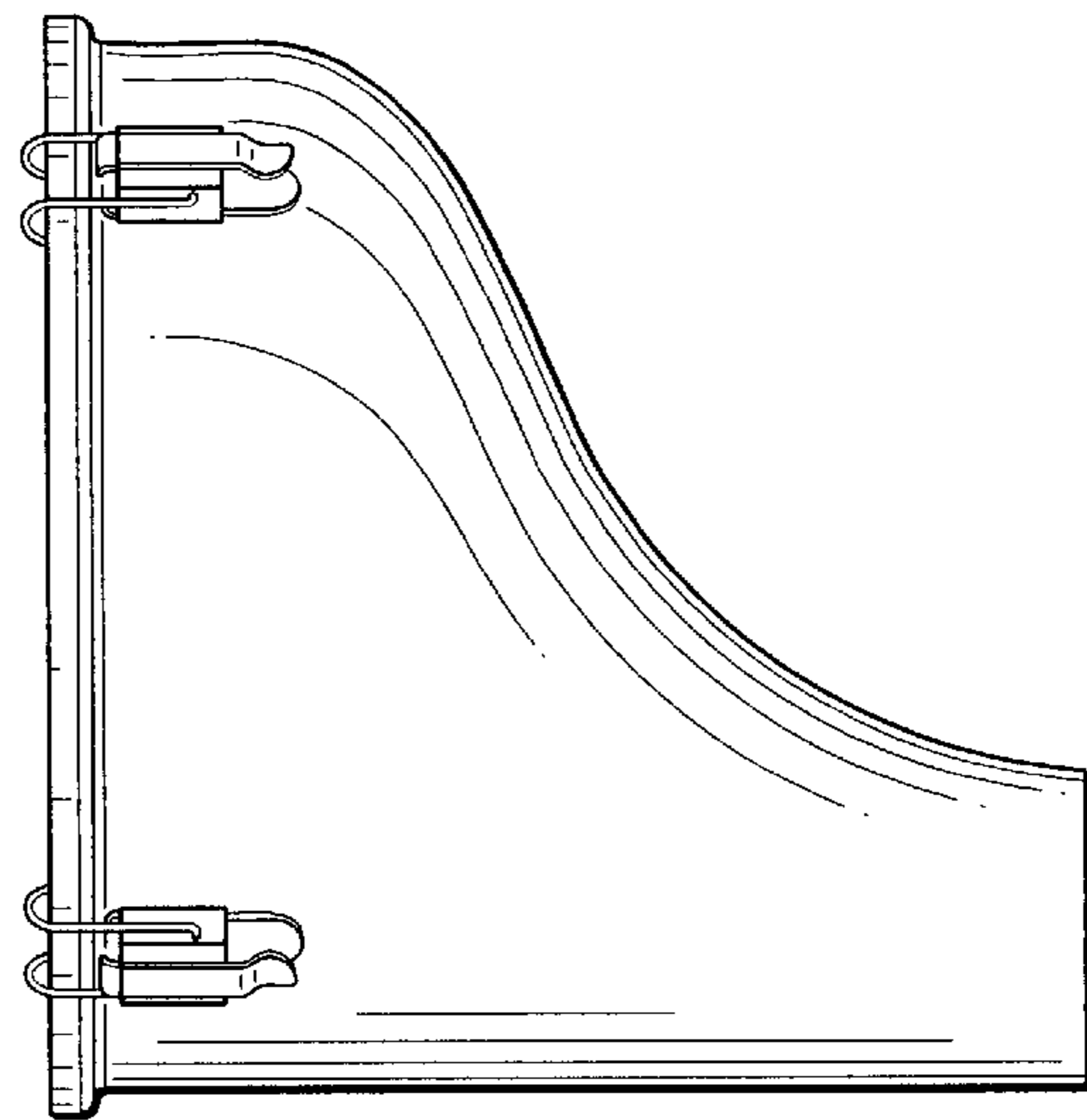


Fig. 3

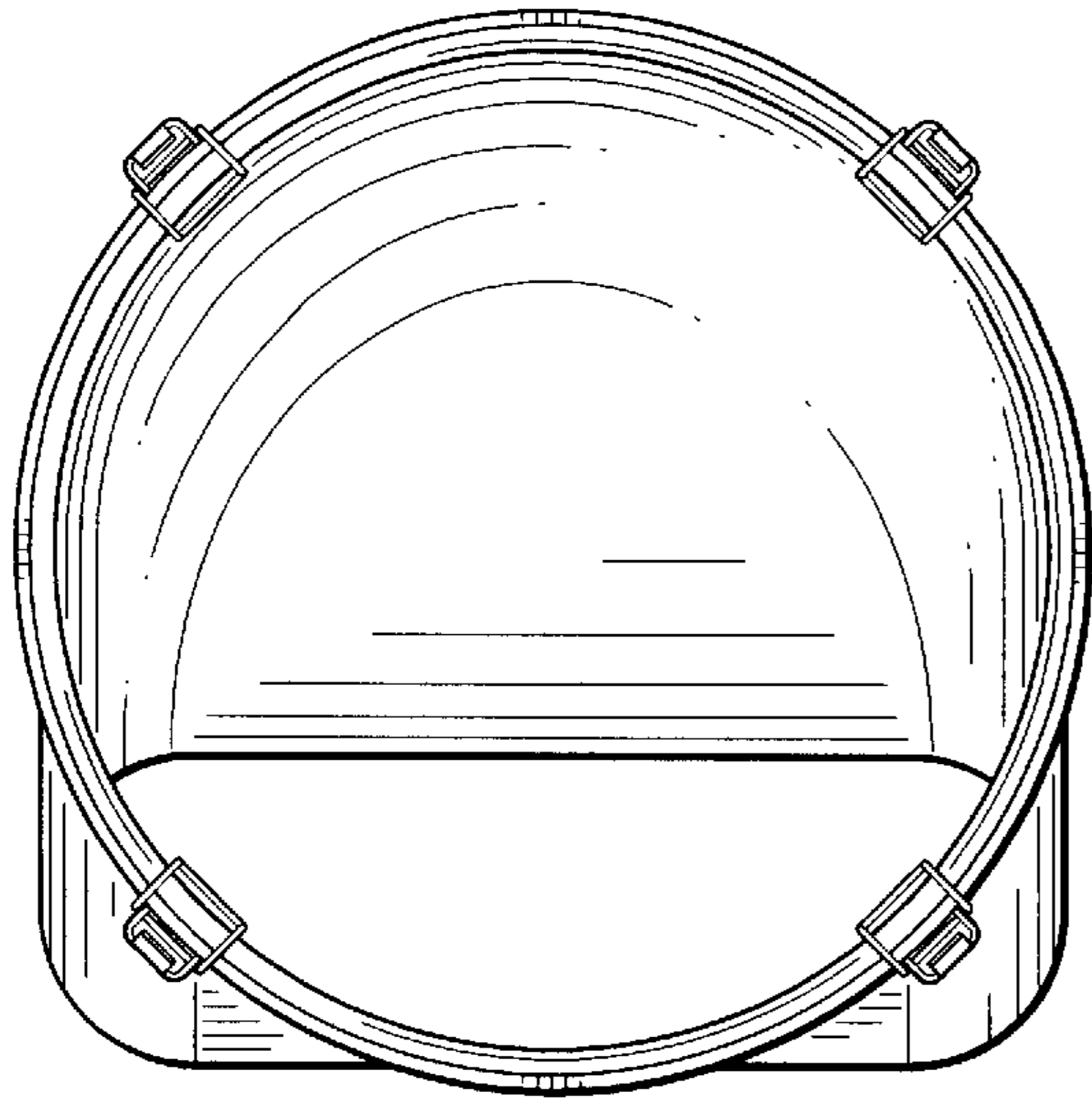


Fig. 4

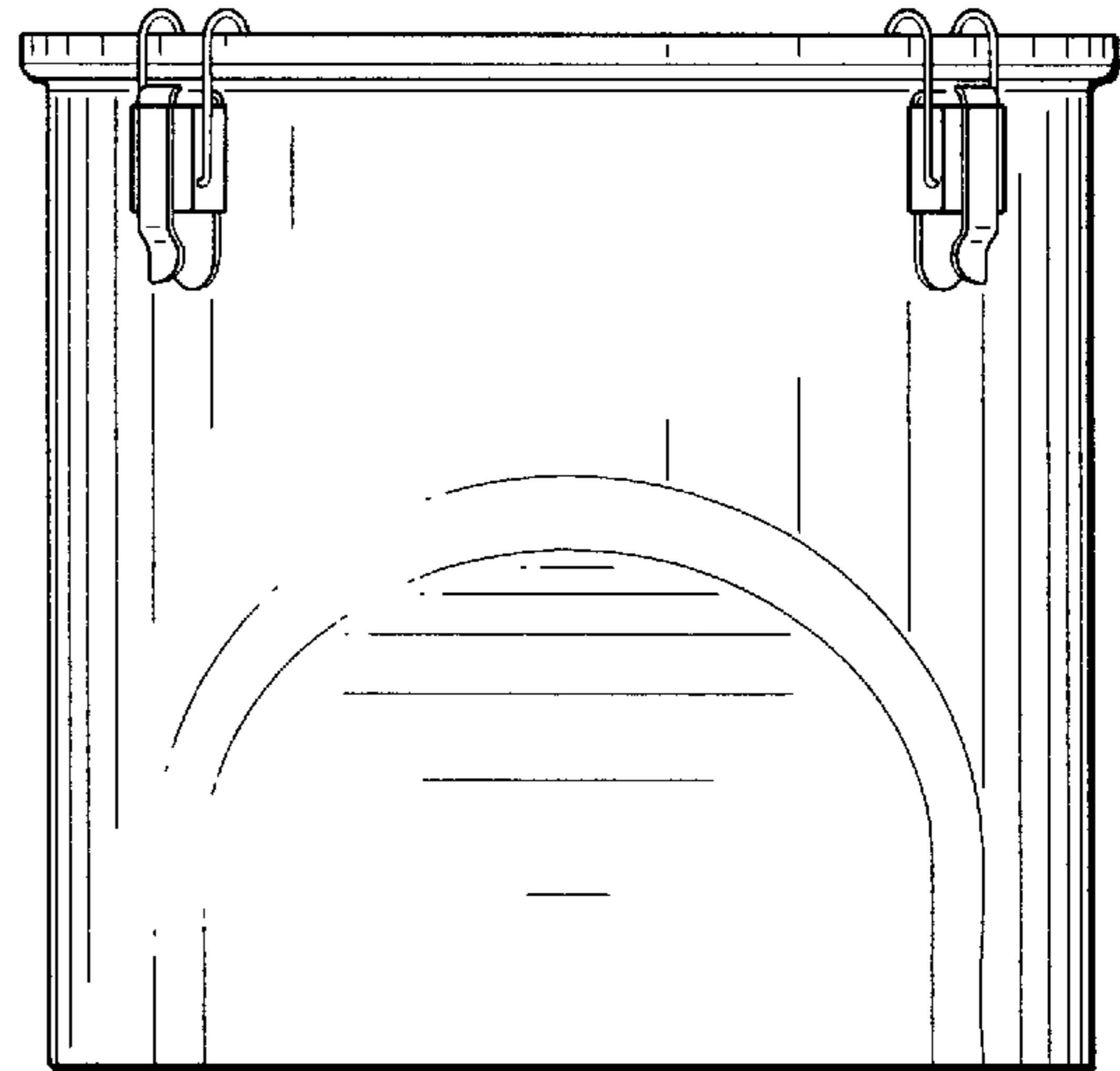


Fig. 5

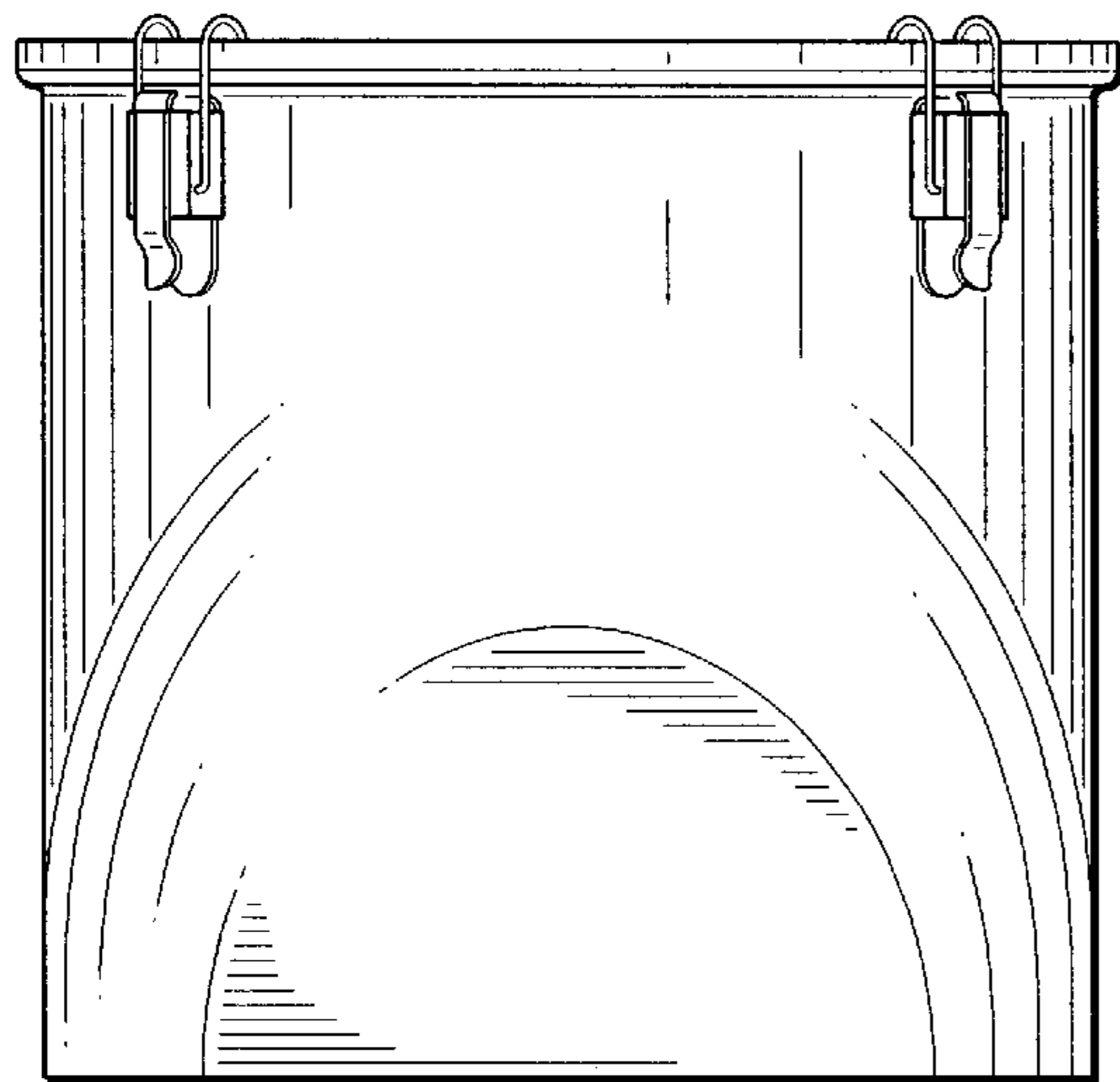


Fig. 6