



US00D533321S

(12) **United States Design Patent**  
**Peng**

(10) **Patent No.:** **US D533,321 S**

(45) **Date of Patent:** **\*\* Dec. 5, 2006**

(54) **DUST COLLECTOR**

(75) Inventor: **Tien-Yu Peng**, Taichung (TW)

(73) Assignee: **OAV Equipment & Tools, Inc.** (TW)

(\*\*) Term: **14 Years**

(21) Appl. No.: **29/231,499**

(22) Filed: **Jun. 7, 2005**

(51) **LOC (8) Cl.** ..... **15-05**

(52) **U.S. Cl.** ..... **D32/21**

(58) **Field of Classification Search** ..... D32/1,  
D32/15, 17, 21, 23, 24, 31; 15/320, 321,  
15/327.1, 327.2, 327.4, 327.6, 327.7, 353,  
15/329; 134/105, 198, 21; 451/453, 456;  
144/252.1; 55/315, 356, 428-429, 482, 472,  
55/459.4

See application file for complete search history.

(56) **References Cited**

**U.S. PATENT DOCUMENTS**

5,163,985	A	*	11/1992	Chen	.....	55/356
5,169,420	A	*	12/1992	Chen	.....	55/315
D357,094	S	*	4/1995	Lin	.....	D32/1
D357,095	S	*	4/1995	Lin	.....	D32/1

D358,234	S	*	5/1995	Lin	.....	D32/1
D501,964	S	*	2/2005	Cheng	.....	D32/21
D502,297	S	*	2/2005	Cheng	.....	D32/21
D518,610	S	*	4/2006	Cheng	.....	D32/21
2005/0183233	A1	*	8/2005	Lin	.....	15/352
2005/0257507	A1	*	11/2005	Tsai	.....	55/428
2006/0016162	A1	*	1/2006	Lin	.....	55/428

\* cited by examiner

*Primary Examiner*—Ruth McInroy

(74) *Attorney, Agent, or Firm*—Browdy and Neimark, PLLC

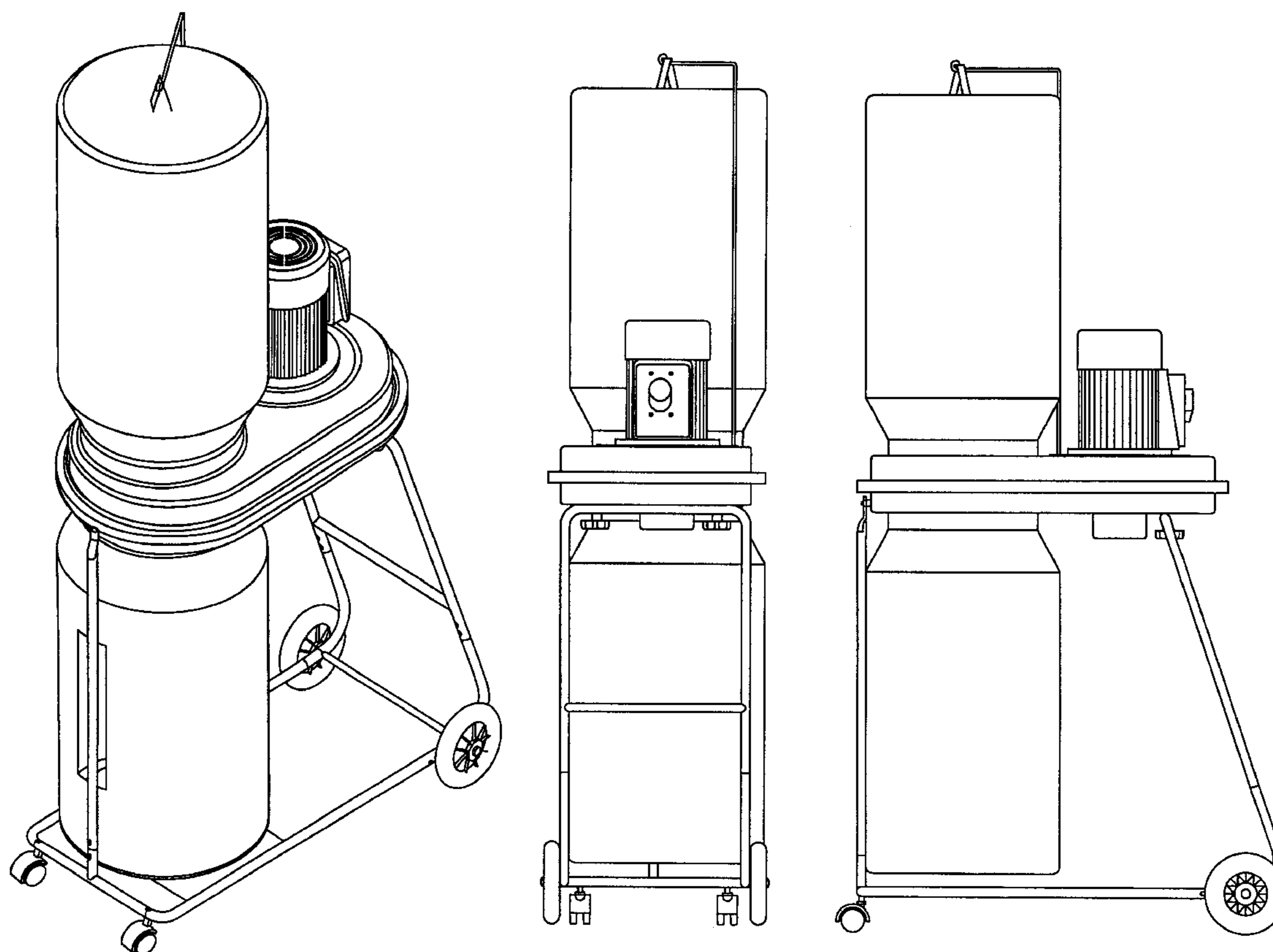
(57) **CLAIM**

The ornamental design for a dust collector, as shown.

**DESCRIPTION**

FIG. 1 shows a perspective view of the present design.  
 FIG. 2 shows a right side elevational view of the present design.  
 FIG. 3 shows a top plan view of the present design.  
 FIG. 4 shows a front elevational view of the present design.  
 FIG. 5 shows a bottom plan view of the present design.  
 FIG. 6 shows a left side elevational view of the present design; and,  
 FIG. 7 shows a rear elevational view of the present design.

**1 Claim, 4 Drawing Sheets**



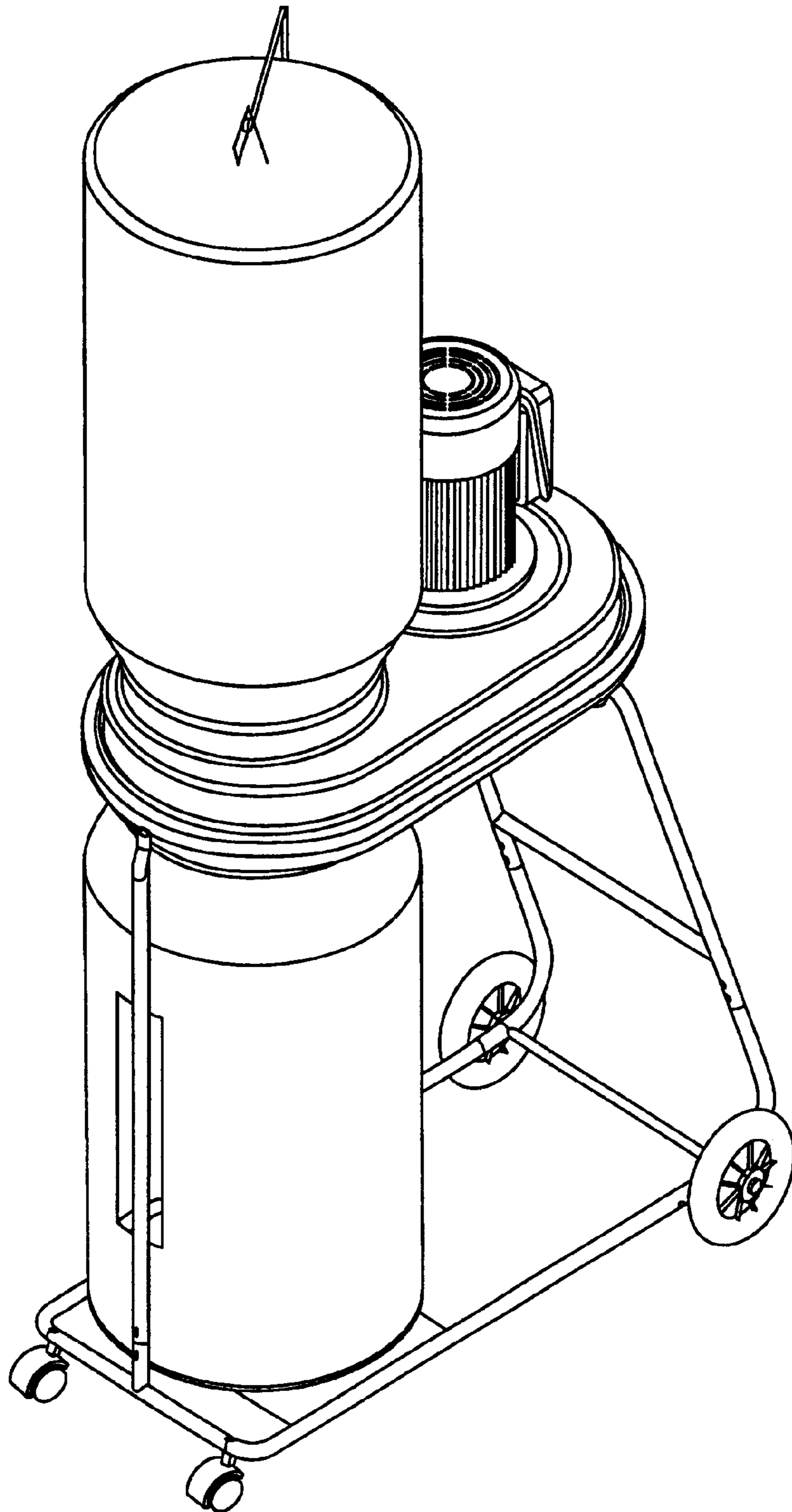


FIG. 1

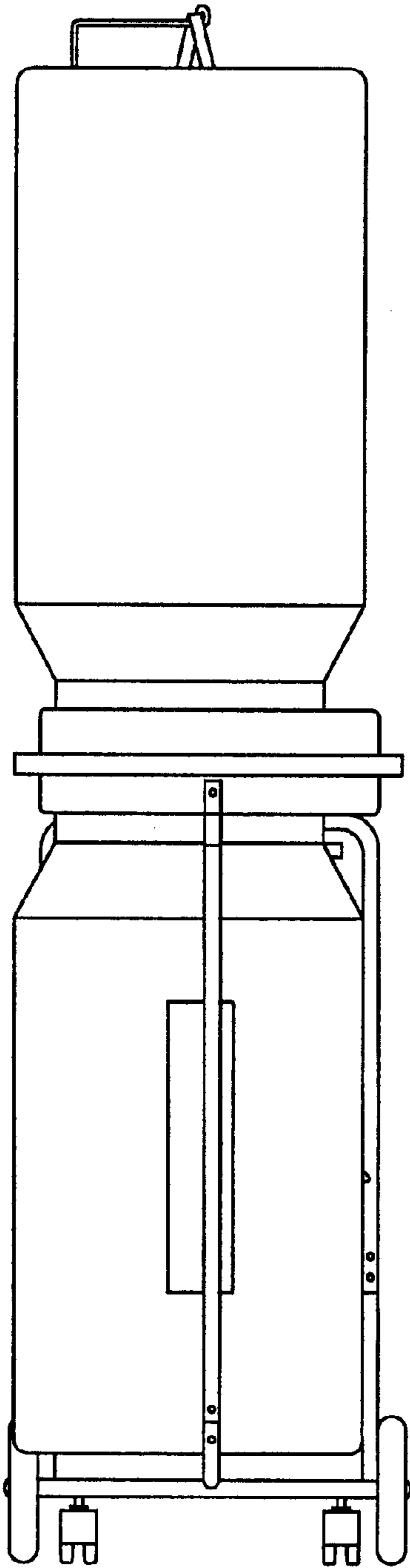


FIG. 6

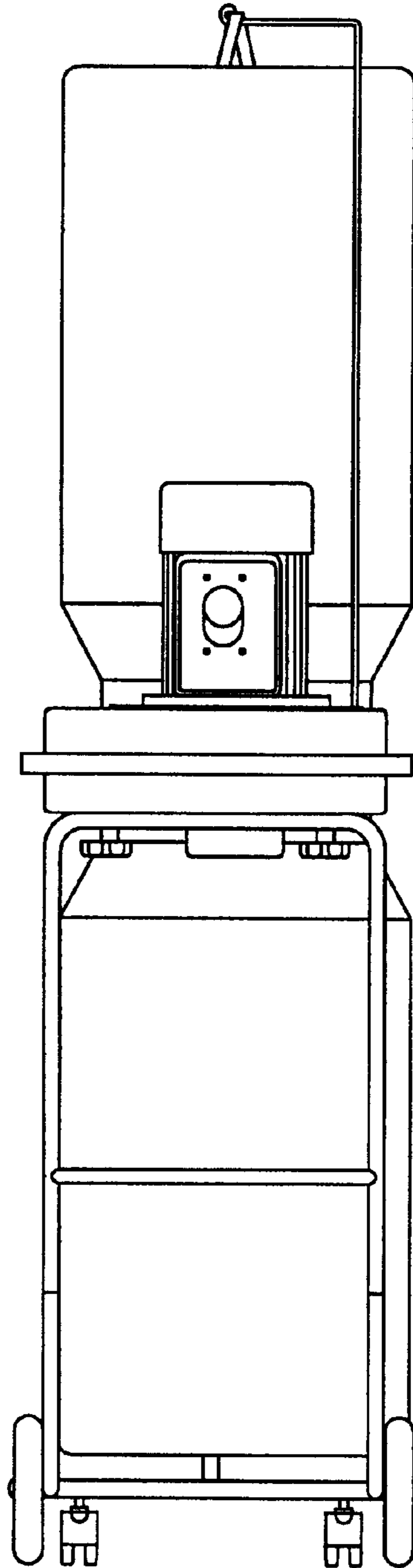


FIG. 2

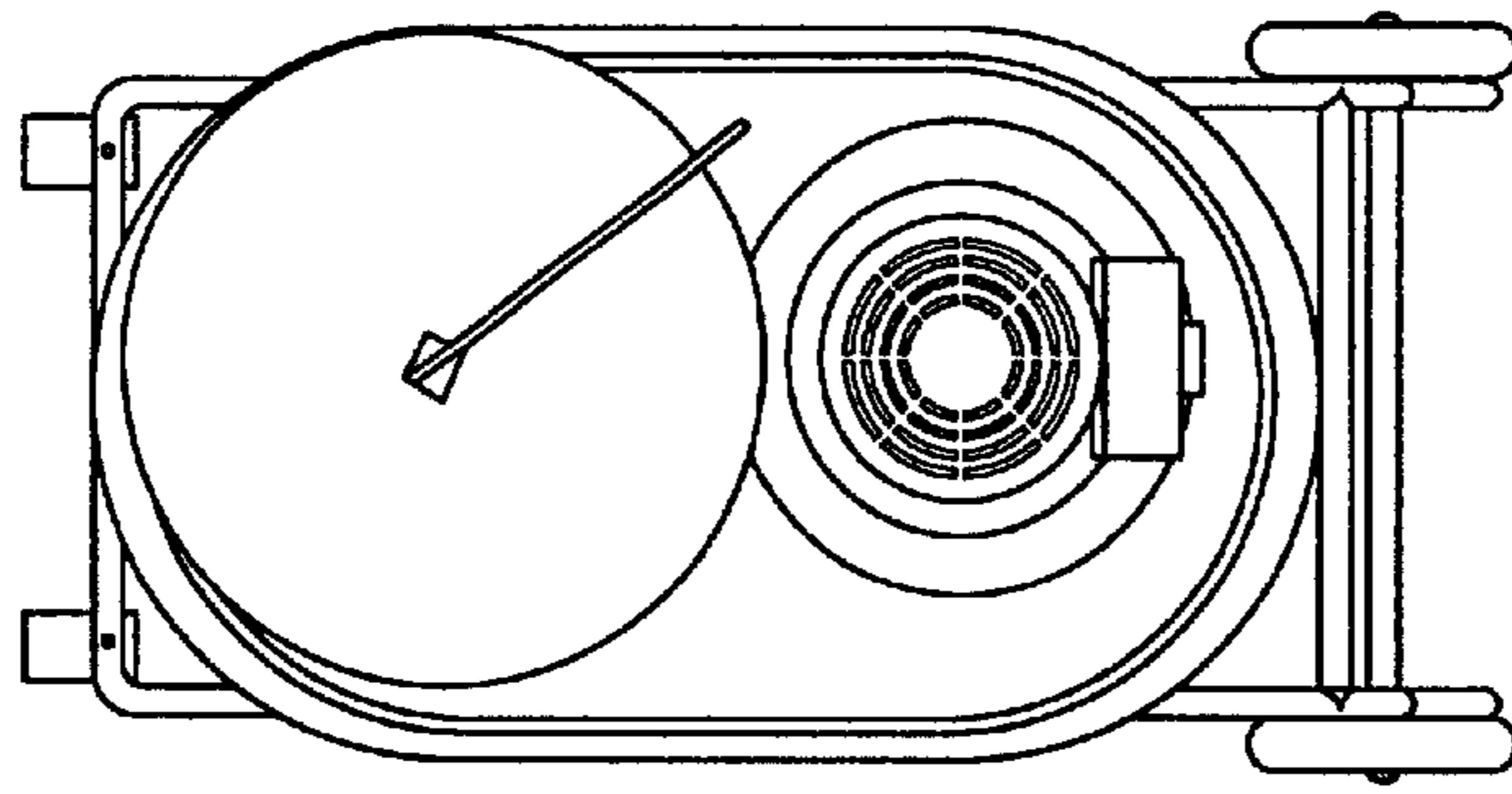


FIG. 3

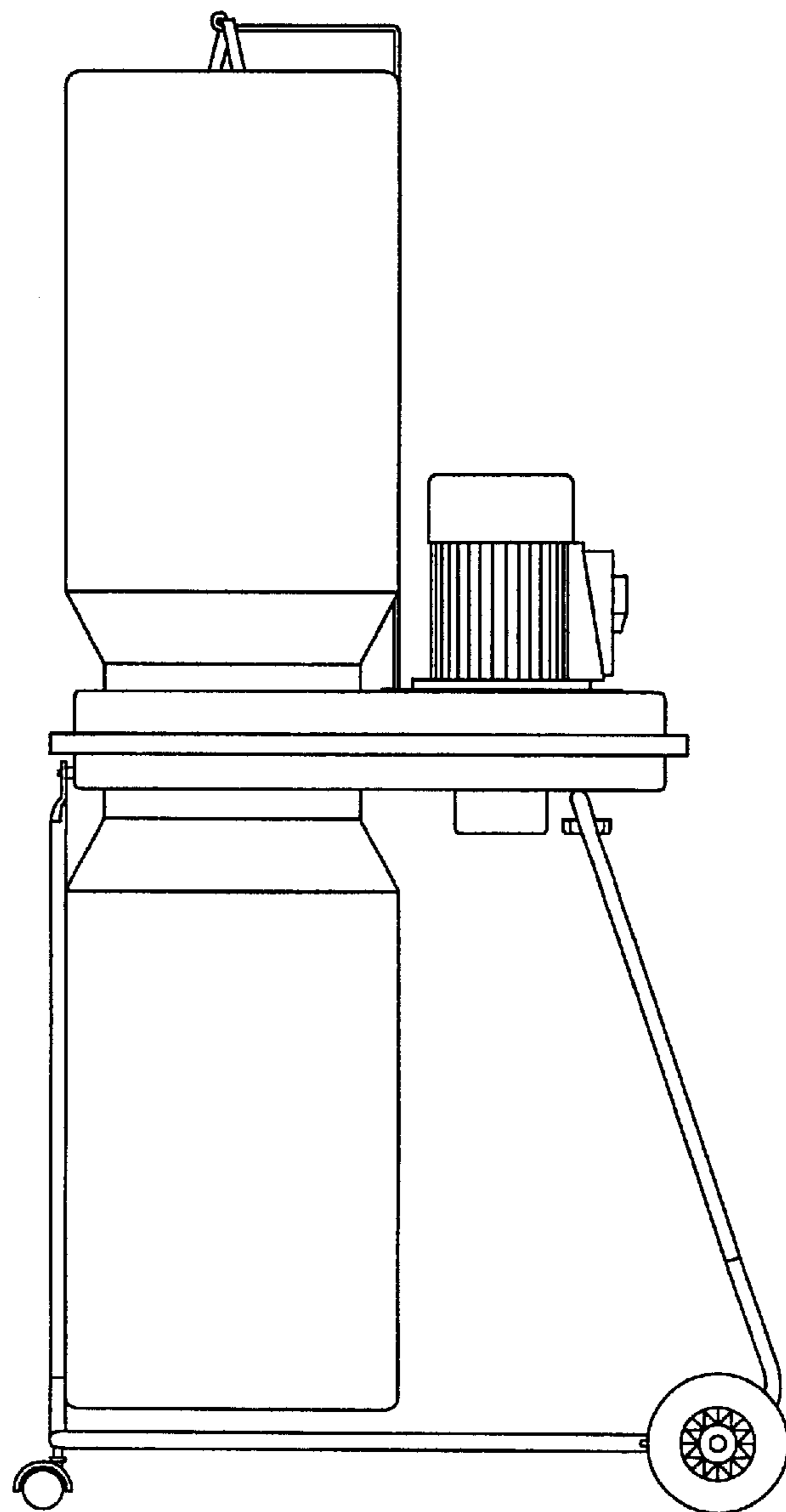


FIG. 4

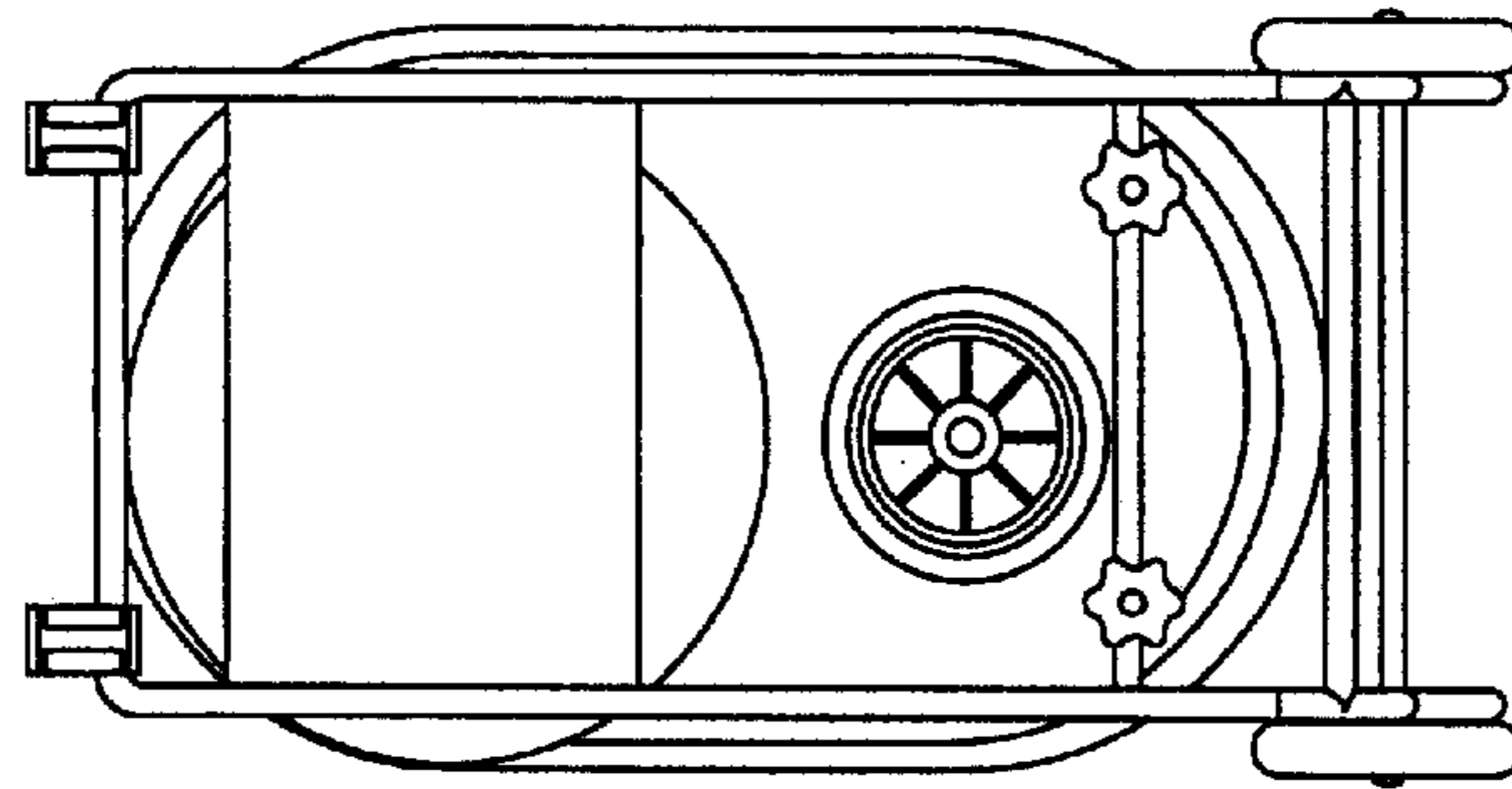


FIG. 5

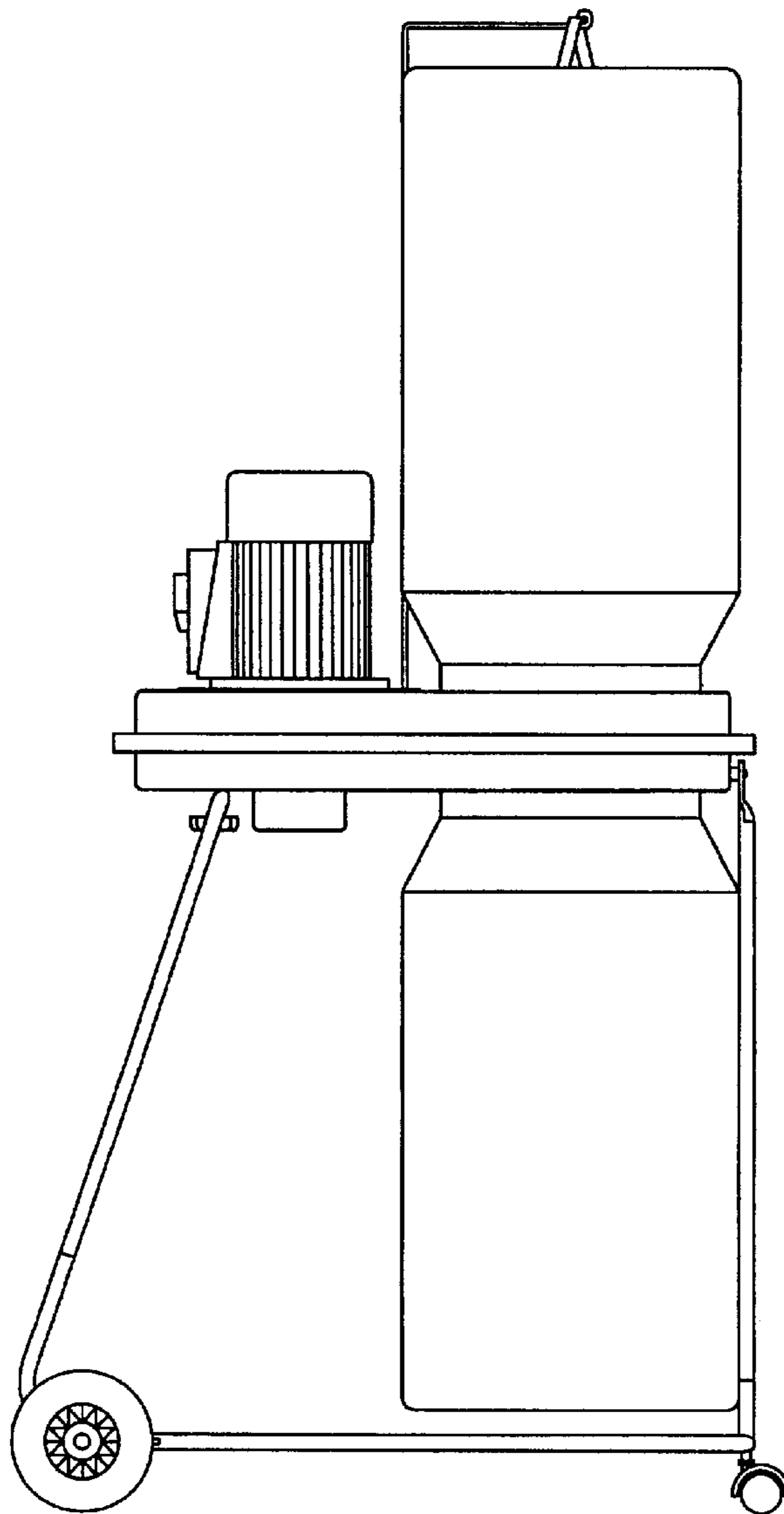


FIG. 7