



US00D533320S

(12) **United States Design Patent**
Pedlar

(10) **Patent No.:** **US D533,320 S**
(45) **Date of Patent:** **** Dec. 5, 2006**

(54) **FLOOR TREATMENT DEVICE**

(75) Inventor: **Roger Pedlar**, Lakewood, CO (US)

(73) Assignee: **Castle Rock Industries, Inc.**,
Englewood, CO (US)

(**) Term: **14 Years**

(21) Appl. No.: **29/217,055**

(22) Filed: **Nov. 11, 2004**

(51) **LOC (8) Cl.** **15-05**

(52) **U.S. Cl.** **D32/16**

(58) **Field of Classification Search** D32/1,
D32/15, 16, 17, 19, 20, 21, 22, 23; 15/320,
15/321, 353, 327.1, 327.6, 50.1

See application file for complete search history.

(56) **References Cited**

U.S. PATENT DOCUMENTS

3,020,576	A	2/1962	Gerber	
3,040,363	A	6/1962	Krammes	
3,604,051	A	9/1971	Wendel et al.	
3,833,961	A	9/1974	Fortman et al.	
3,837,029	A	9/1974	Kasper	
3,879,789	A	4/1975	Kasper	
3,896,520	A	7/1975	Williams	
4,041,567	A	8/1977	Burgoon	
4,173,052	A	11/1979	Burgoon et al.	
4,196,492	A	4/1980	Johnson et al.	
4,210,978	A	7/1980	Johnson et al.	
4,219,901	A	9/1980	Burgoon et al.	
4,314,385	A	2/1982	Wimsatt et al.	
4,348,783	A	9/1982	Swanson et al.	
D273,621	S *	4/1984	Haub et al.	D32/16
4,467,494	A	8/1984	Jones	
4,586,208	A	5/1986	Trevarthen	
D290,053	S *	5/1987	Block	D32/15

(Continued)

FOREIGN PATENT DOCUMENTS

EP 282850 9/1991

OTHER PUBLICATIONS

Street Cleaning device shown on www.onyx-environment.com, accessed May 7, 2004, 1 page.

Madvac PS300 Brochure, Feb. 2004, 4 pages.

Allied Sweepers 400 Series Specs., May 1998, 1 page.

Primary Examiner—Robert A. Delehanty

Assistant Examiner—Kathleen Sims

(74) *Attorney, Agent, or Firm*—Sheridan Ross P.C.

(57) **CLAIM**

The ornamental design for a floor treatment device, as shown and described.

DESCRIPTION

FIG. 1 is a perspective view of a floor treatment device;

FIG. 2 is a left elevation view of the design illustrated in FIG. 1;

FIG. 3 is a right elevation view of the design illustrated in FIG. 1;

FIG. 4 is a front elevation view of the design illustrated in FIG. 1;

FIG. 5 is a rear elevation view of the design illustrated in FIG. 1;

FIG. 6 is a top plan view of the design illustrated in FIG. 1;

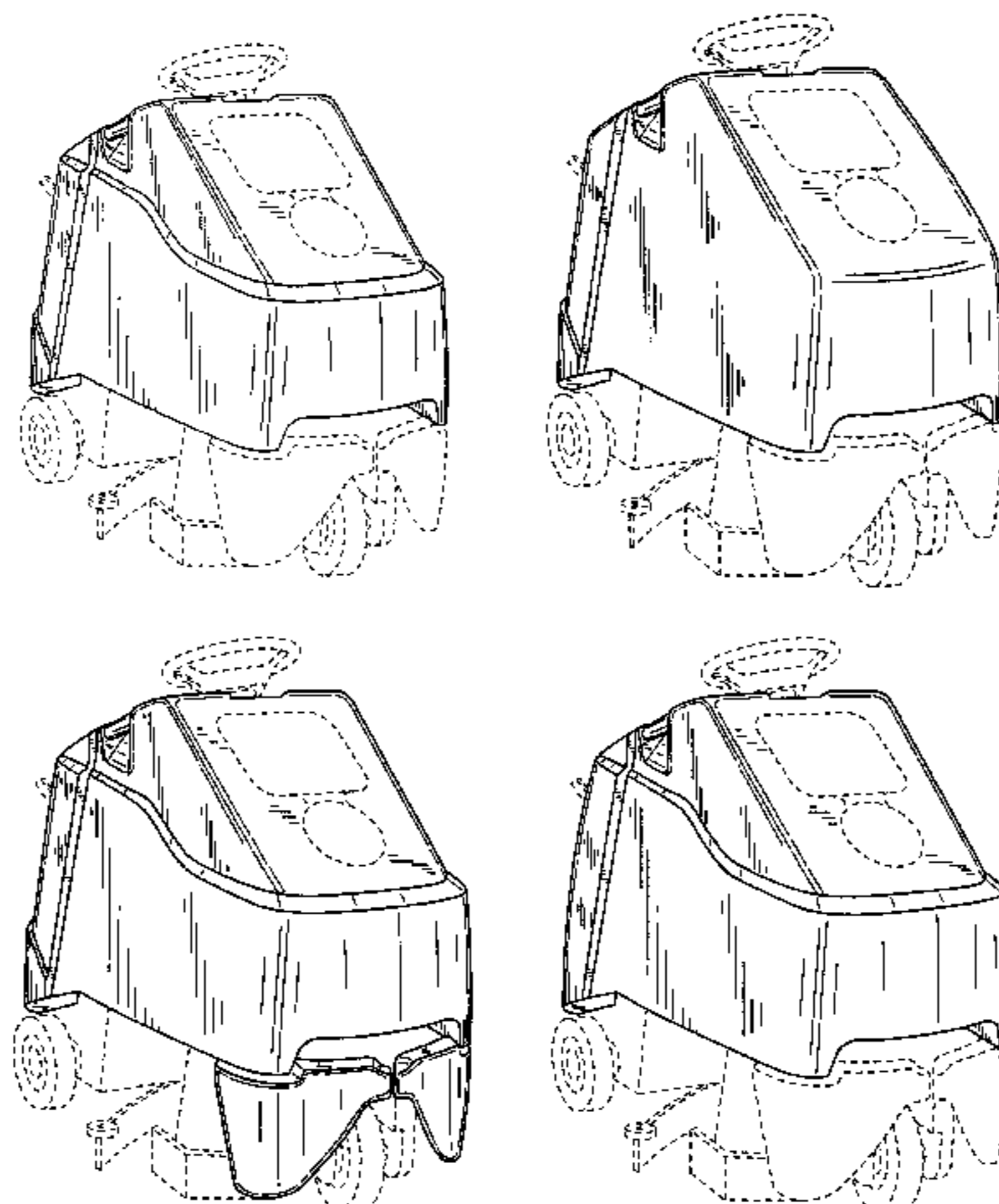
FIG. 7 is a perspective view of a second embodiment of FIG. 1, the only difference being that a lower surface adjacent to the rear wheels is omitted, it being understood that all other surfaces are the same as those of the first embodiments;

FIG. 8 is a perspective view of a third embodiment of FIG. 1, the only difference being a continuous front surface, it being understood that all other surfaces are the same as those of the first embodiment; and,

FIG. 9 is a perspective view of a fourth embodiment of FIG. 1.

The broken line showing is for illustrative purposes only and forms no part of the claimed design.

1 Claim, 7 Drawing Sheets



US D533,320 S

Page 2

U.S. PATENT DOCUMENTS							
			6,519,808	B1	2/2003	Legatt et al.	
			6,535,793	B1	3/2003	Allard	
D290,054	S *	5/1987	Block			D32/15	
4,715,087	A	12/1987	Todd et al.	6,553,609	B1	4/2003	Tremmel et al.
4,759,094	A	7/1988	Palmer et al.	6,585,827	B1 *	7/2003	Field et al. 134/6
5,058,235	A	10/1991	Charky	6,594,844	B1	7/2003	Jones
5,109,566	A	5/1992	Kobayashi et al.	6,625,843	B1	9/2003	Kim et al.
5,138,742	A	8/1992	Charkey	6,629,333	B1	10/2003	Bolden
5,377,376	A	1/1995	Wood et al.	2001/0019935	A1	9/2001	Legatt et al.
5,465,456	A	11/1995	Fellhuuer et al.	2002/0178522	A1	12/2002	Buchegger et al.
5,485,653	A	1/1996	Knowlton et al.	2003/0019068	A1 *	1/2003	Field et al. 15/320
D370,320	S *	5/1996	Hachtmann	2003/0019069	A1 *	1/2003	Field et al. 15/320
5,524,320	A	6/1996	Zachhuber	2003/0046788	A1	3/2003	Kent et al.
5,768,742	A	6/1998	Kohl et al.	2003/0070249	A1	4/2003	Lehman et al.
6,041,471	A	3/2000	Charky et al.	2003/0070252	A1 *	4/2003	Pedlar et al. 15/401
6,397,429	B1	6/2002	Legatt et al.	2005/0132527	A1 *	6/2005	Pedlar et al. 15/340.3
6,442,789	B1	9/2002	Legatt et al.				

* cited by examiner

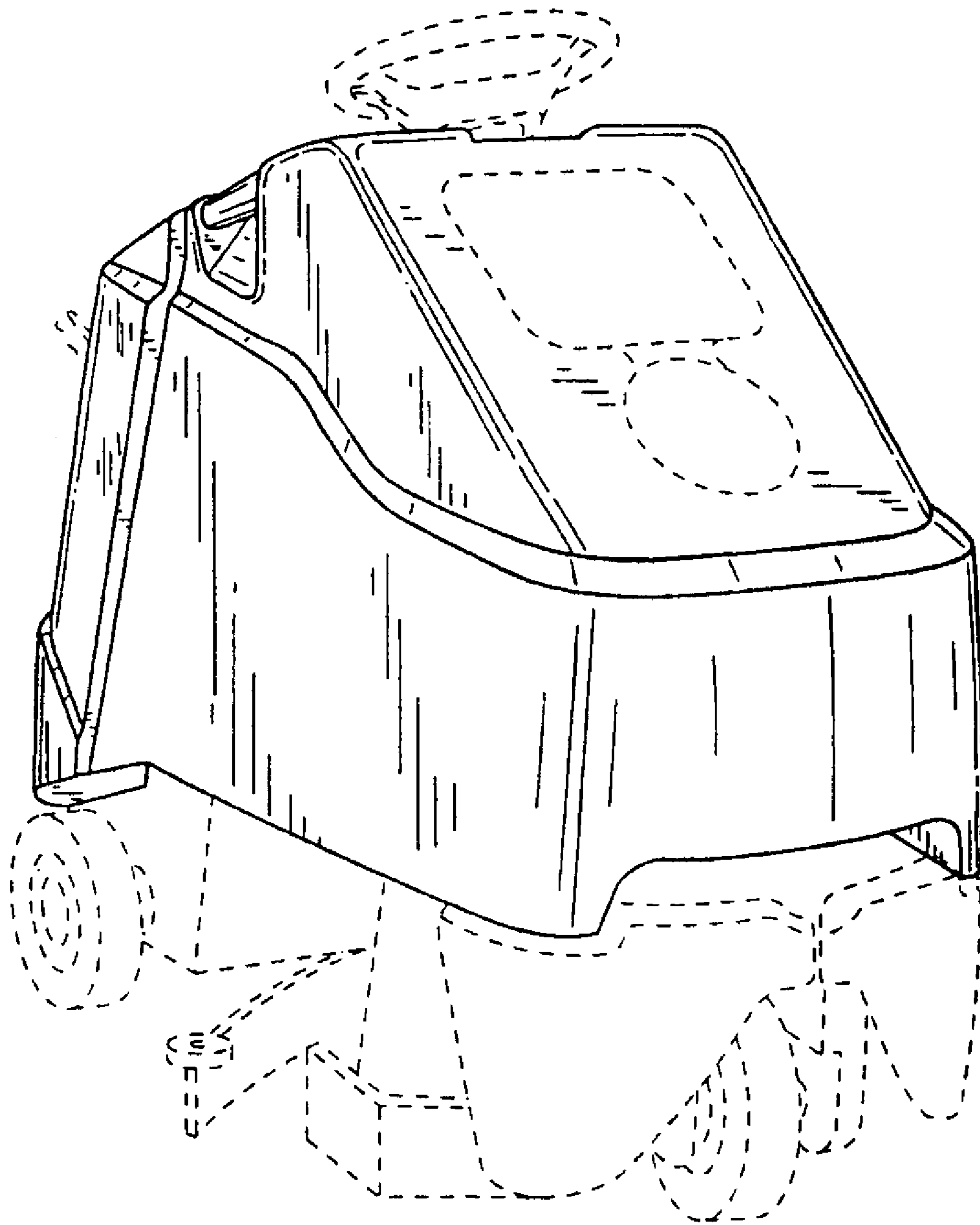


FIG.1

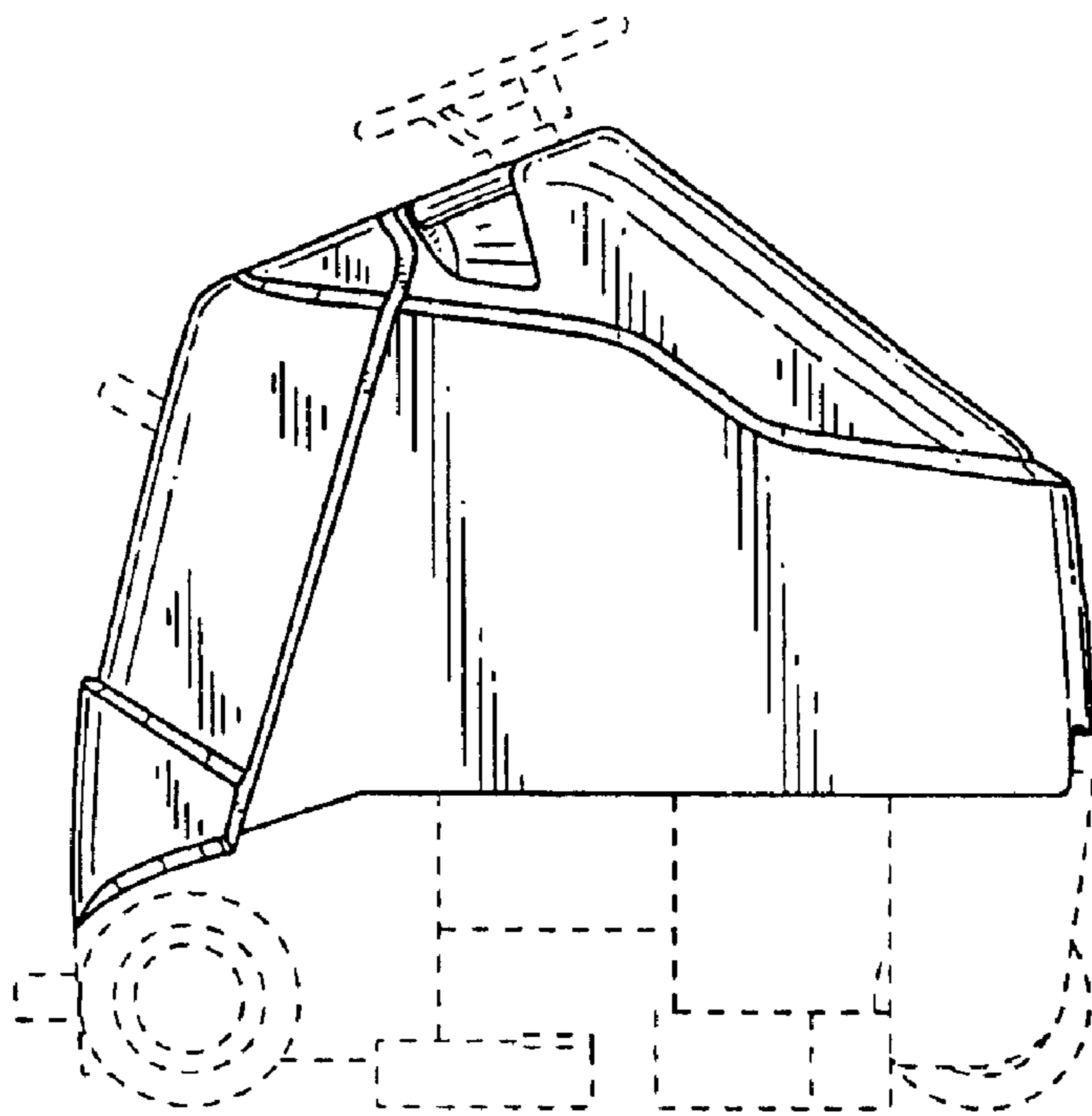


FIG. 2

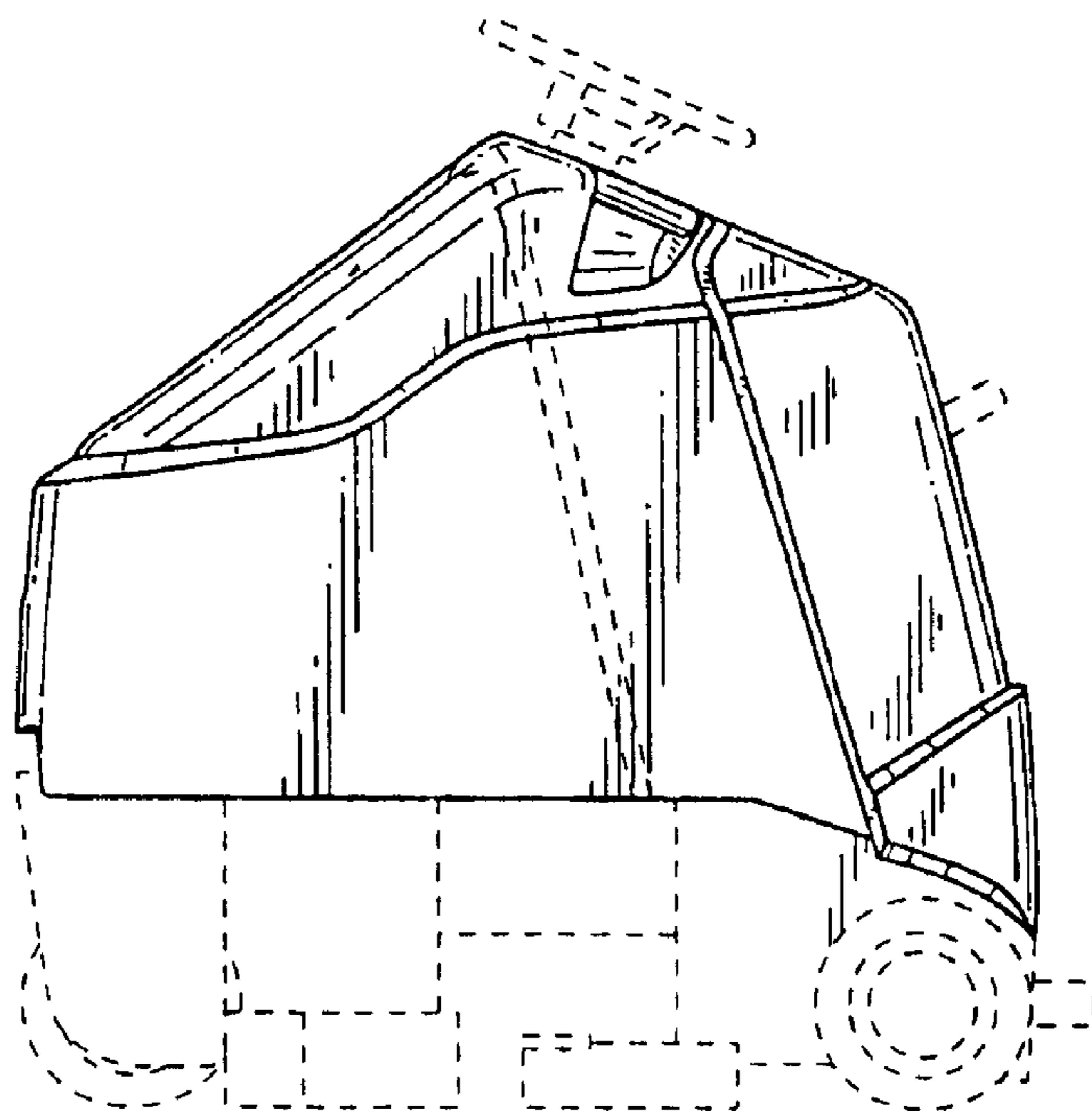


FIG. 3

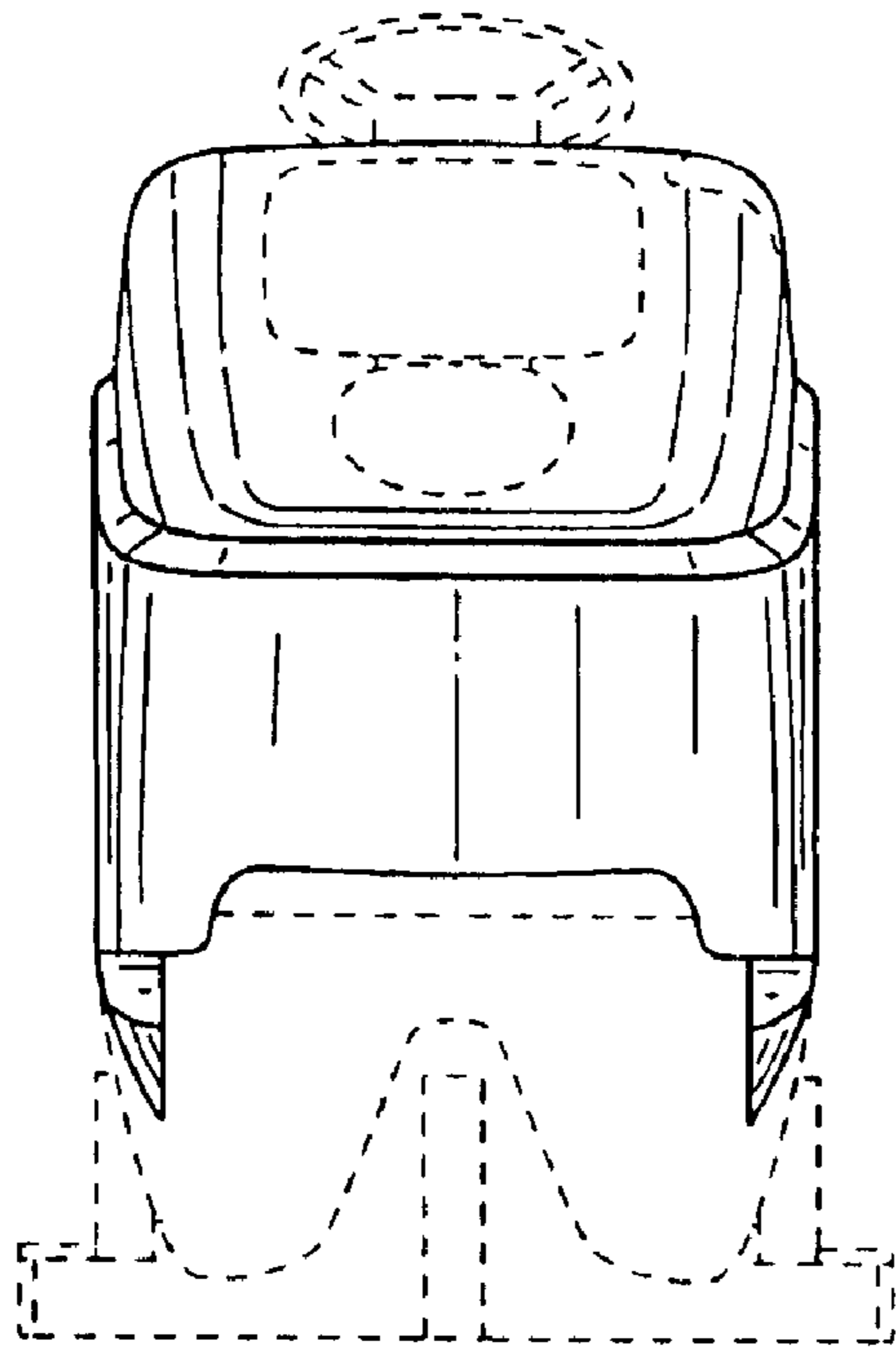


FIG.4

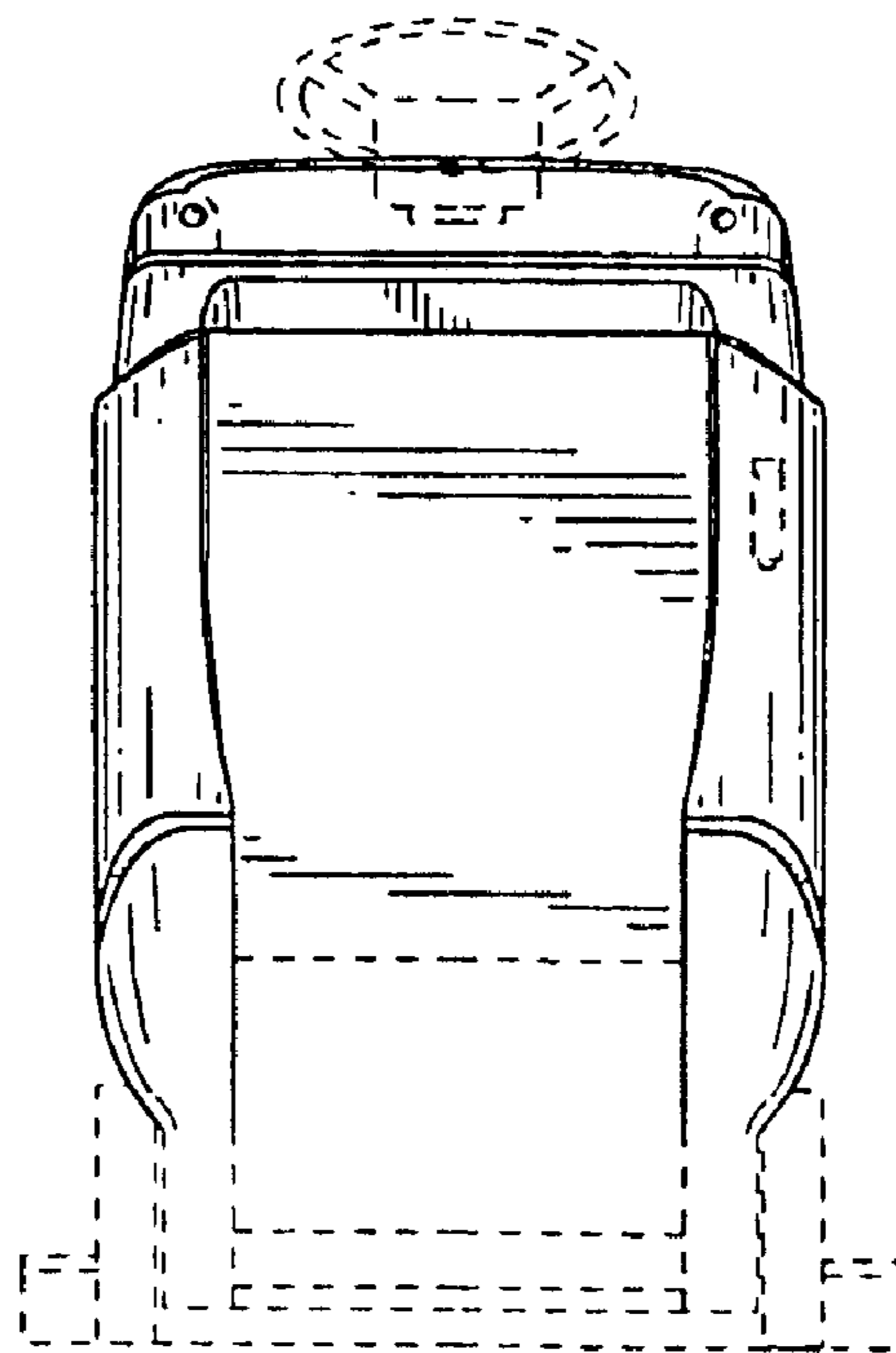


FIG.5

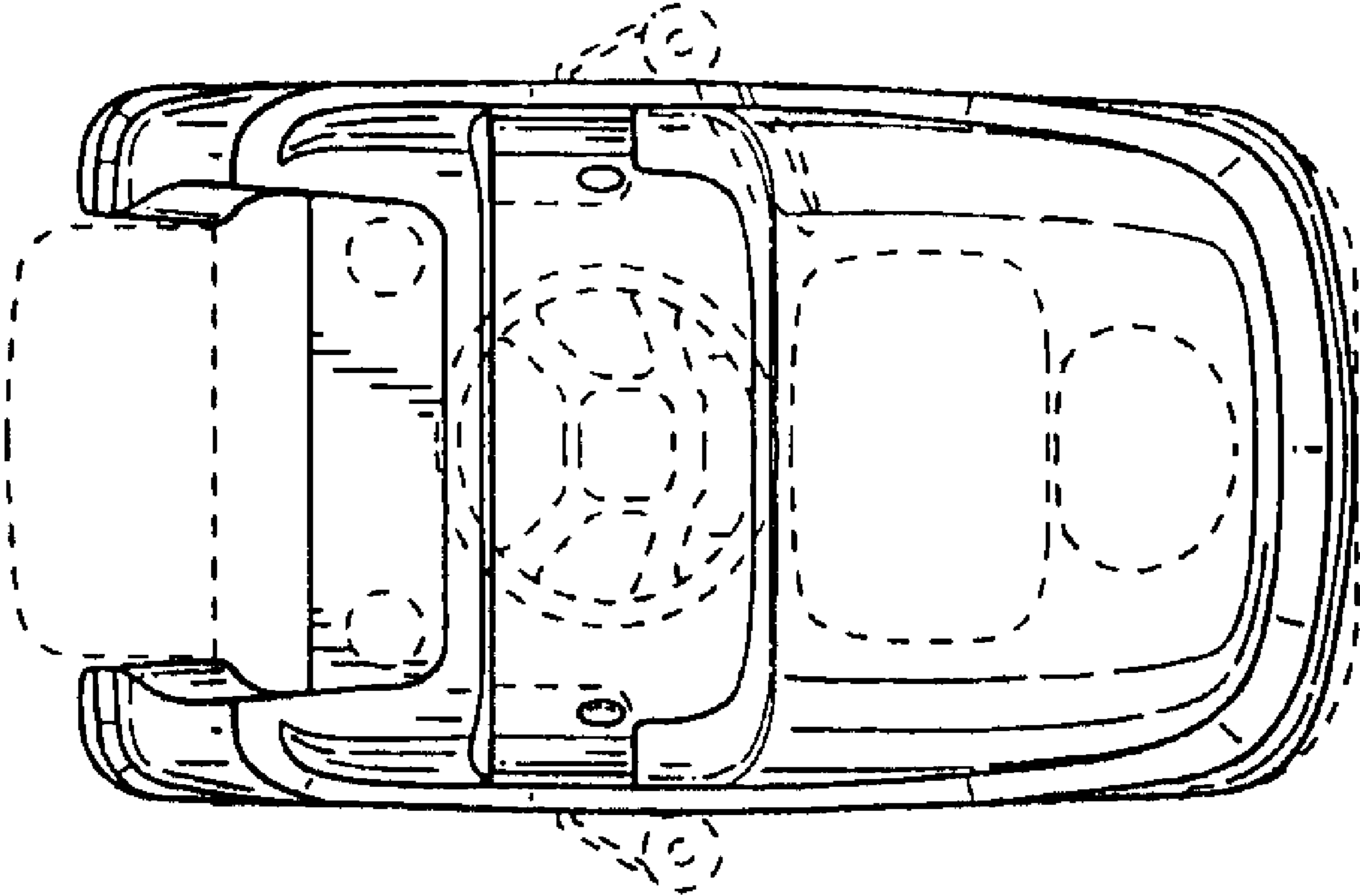


FIG.6

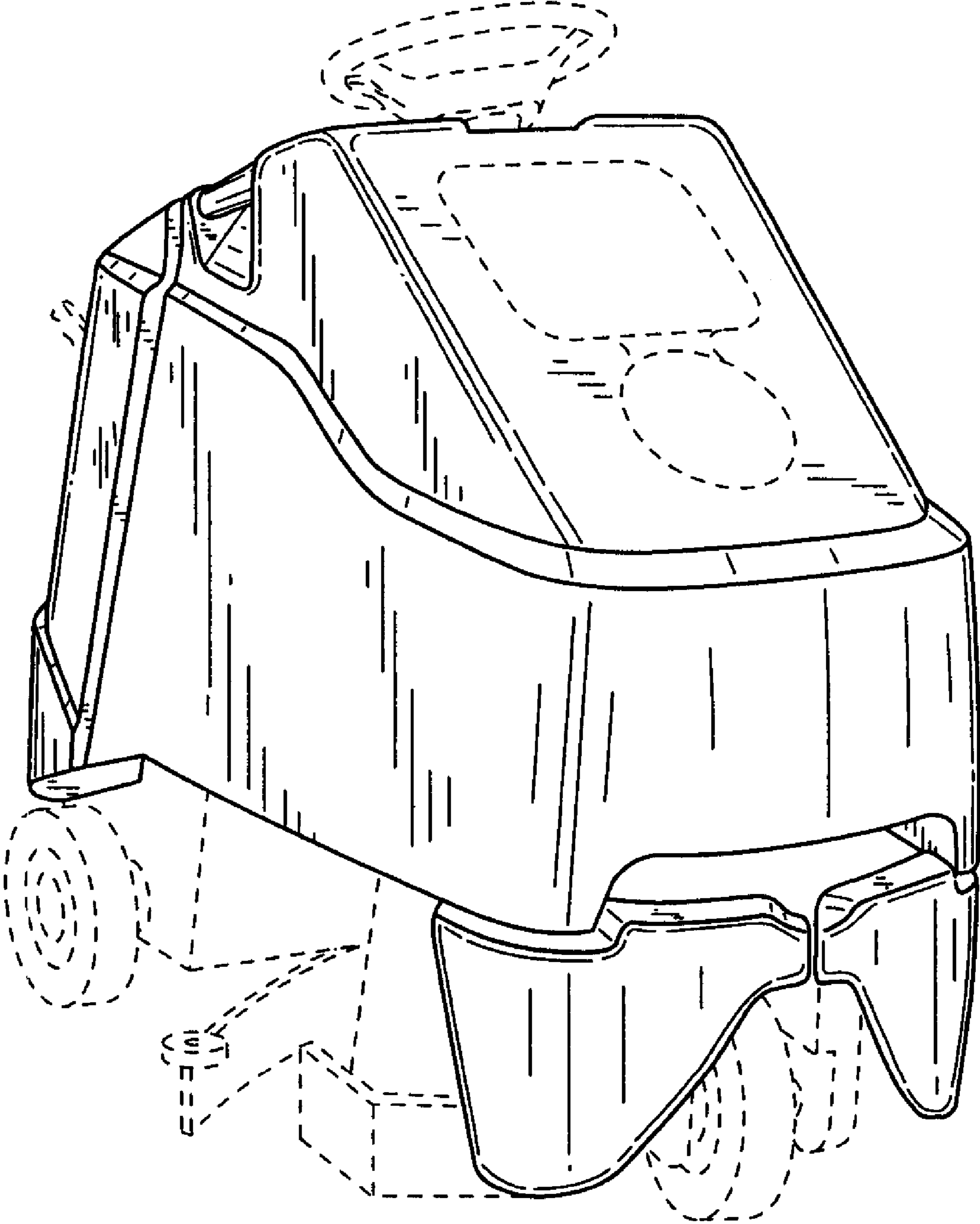


FIG.7

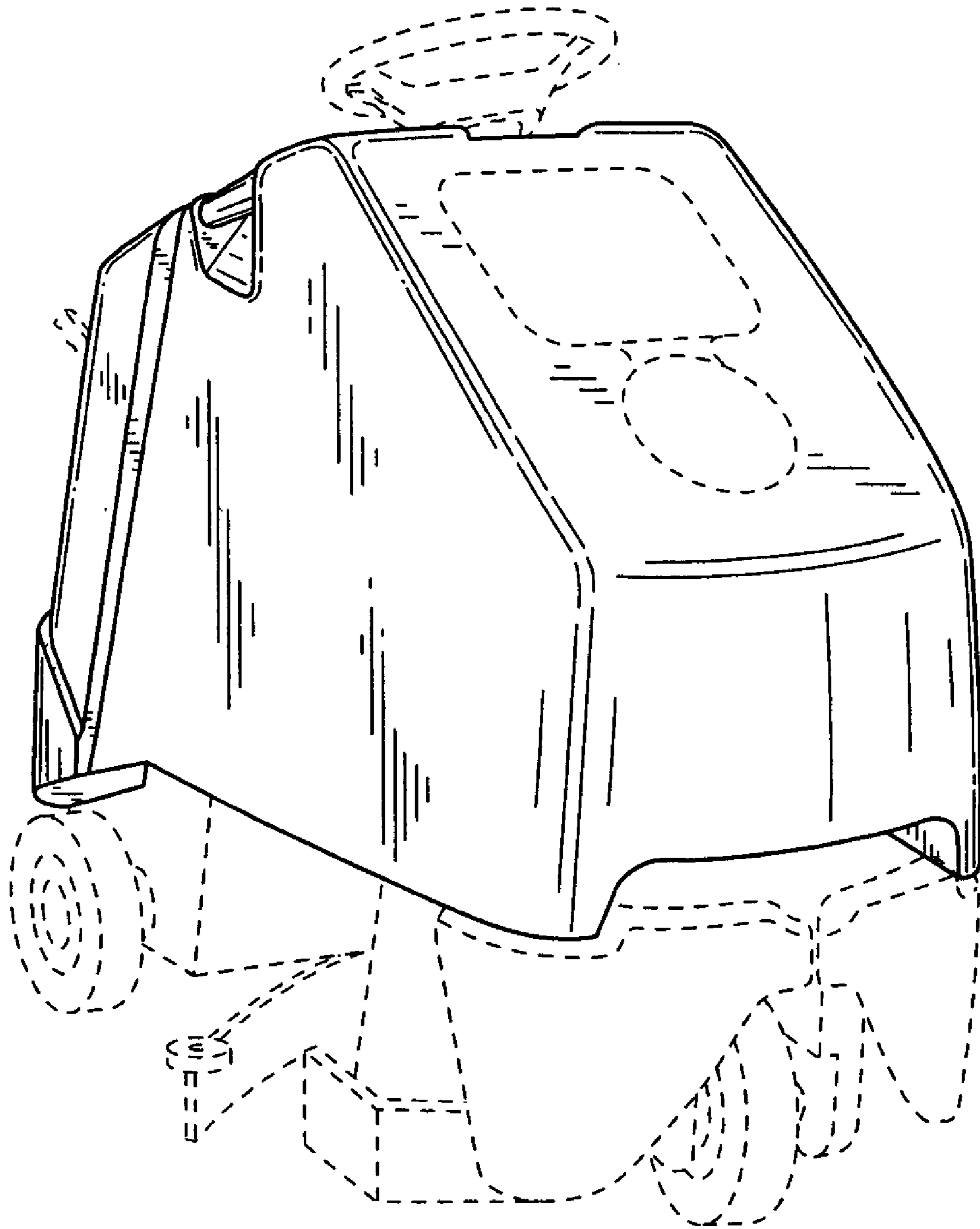


FIG.8

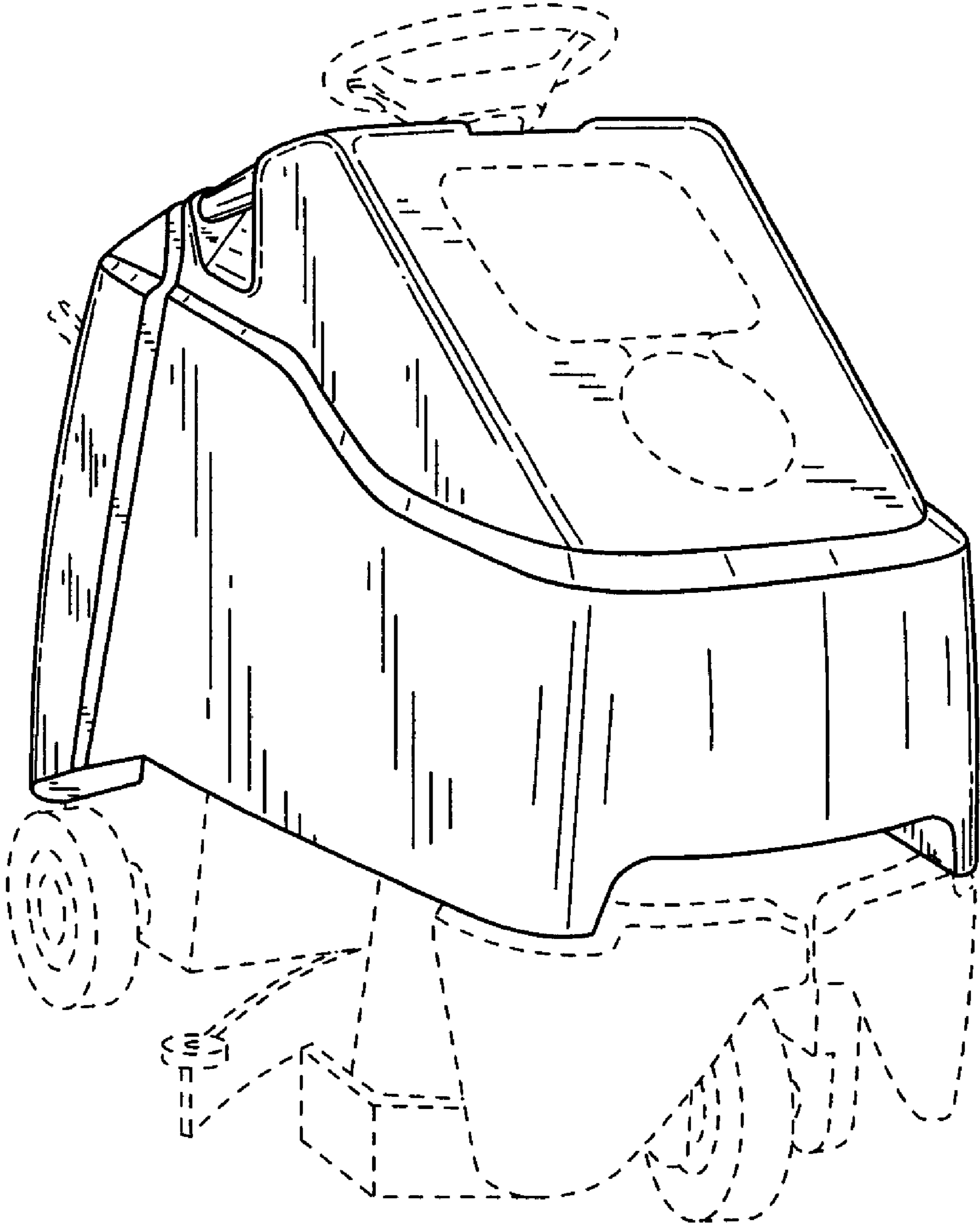


FIG.9