



US00D533319S

(12) **United States Design Patent**  
**Deasy**

(10) **Patent No.:** **US D533,319 S**  
(45) **Date of Patent:** **\*\* Dec. 5, 2006**

(54) **LITTER BOX RAKE**  
(75) Inventor: **Richard Deasy**, Pittsburgh, PA (US)  
(73) Assignee: **Doskocil Manufacturing Company, Inc.**, Arlington, TX (US)  
(\*\*) Term: **14 Years**  
(21) Appl. No.: **29/240,382**  
(22) Filed: **Oct. 12, 2005**

(51) **LOC (8) Cl.** ..... **30-99**  
(52) **U.S. Cl.** ..... **D30/162; D8/10; D8/13**  
(58) **Field of Classification Search** ..... D30/162;  
D8/10, 13; 294/1.3, 1.4, 49, 51, 54.5, 55,  
294/55.5, 99.2; 172/378, 380; 119/161, 163,  
119/165-166; 209/418-419  
See application file for complete search history.

(56) **References Cited**  
U.S. PATENT DOCUMENTS

D21,934 S \* 10/1892 Putnam ..... D8/13  
1,585,527 A \* 5/1926 Belanger ..... 209/419  
D269,129 S \* 5/1983 Manfre ..... D30/162  
D312,030 S \* 11/1990 Brignull ..... D8/13  
5,562,318 A \* 10/1996 McBroom ..... 294/1.4

D391,133 S \* 2/1998 Lee ..... D8/13  
D403,133 S \* 12/1998 Howell et al. .... D30/162  
D406,413 S \* 3/1999 Russo ..... D30/162  
D418,726 S \* 1/2000 White, Jr. .... D8/13  
6,082,302 A \* 7/2000 Thaler et al. .... 119/161  
6,401,661 B1 \* 6/2002 Emery ..... 119/166  
D463,075 S \* 9/2002 Padgett ..... D30/162  
6,568,348 B1 \* 5/2003 Bedard ..... 119/166  
2004/0177816 A1 \* 9/2004 Parr ..... 119/165  
2005/0045350 A1 \* 3/2005 Roberson et al. .... 172/378  
2005/0284390 A1 \* 12/2005 Gillis et al. .... 119/166

\* cited by examiner

*Primary Examiner*—Cathy Anne MacCormac  
(74) *Attorney, Agent, or Firm*—Locke Liddell & Sapp LLP

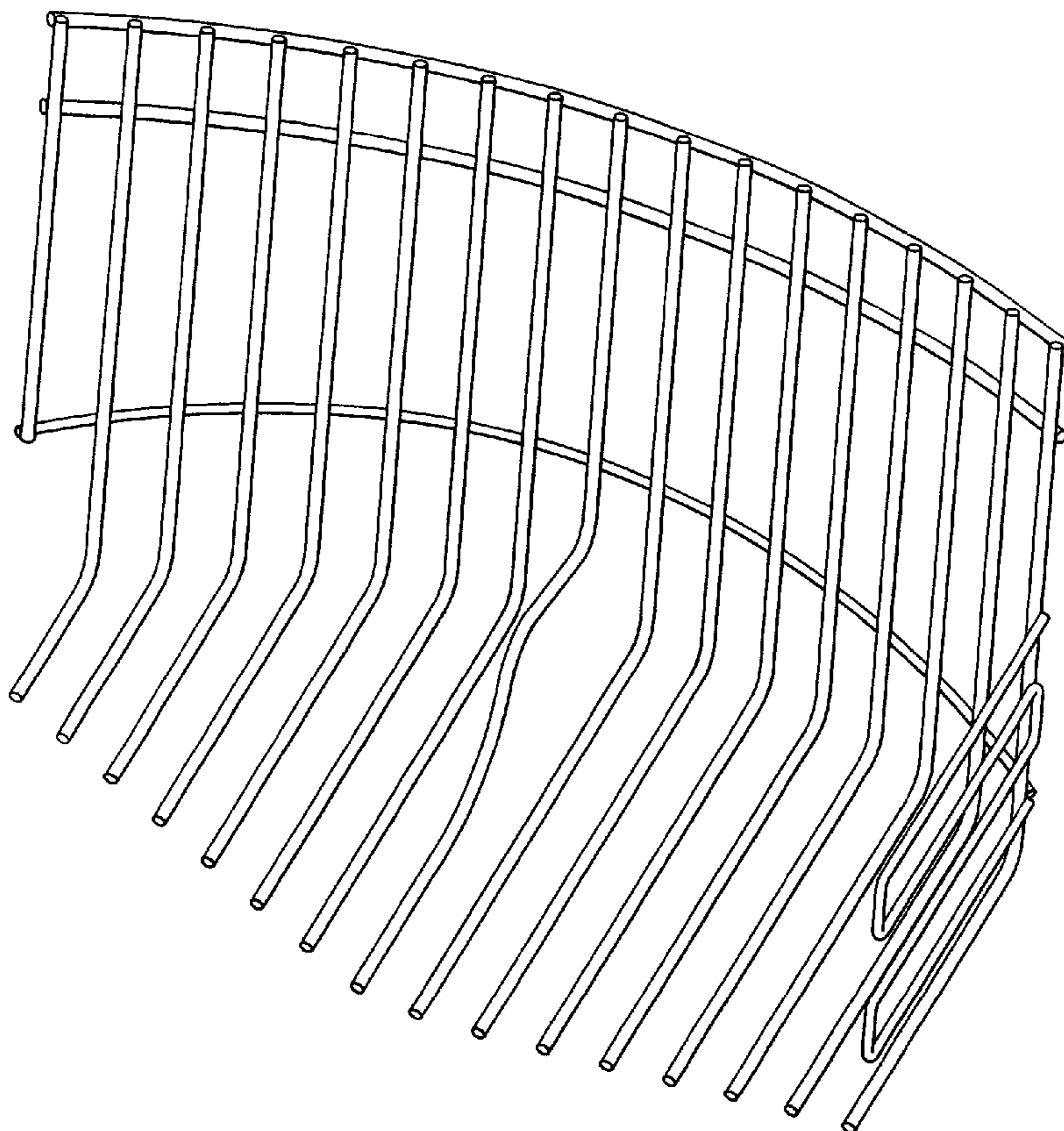
(57) **CLAIM**

The ornamental design for a litter box rake, as shown and described.

**DESCRIPTION**

FIG. 1 is a top left perspective view of a litter box rake;  
FIG. 2 is a top plan view thereof;  
FIG. 3 is a top right perspective view thereof; and,  
FIG. 4 is a sectional view taken generally along section lines  
4—4 of FIG. 2.

**1 Claim, 2 Drawing Sheets**



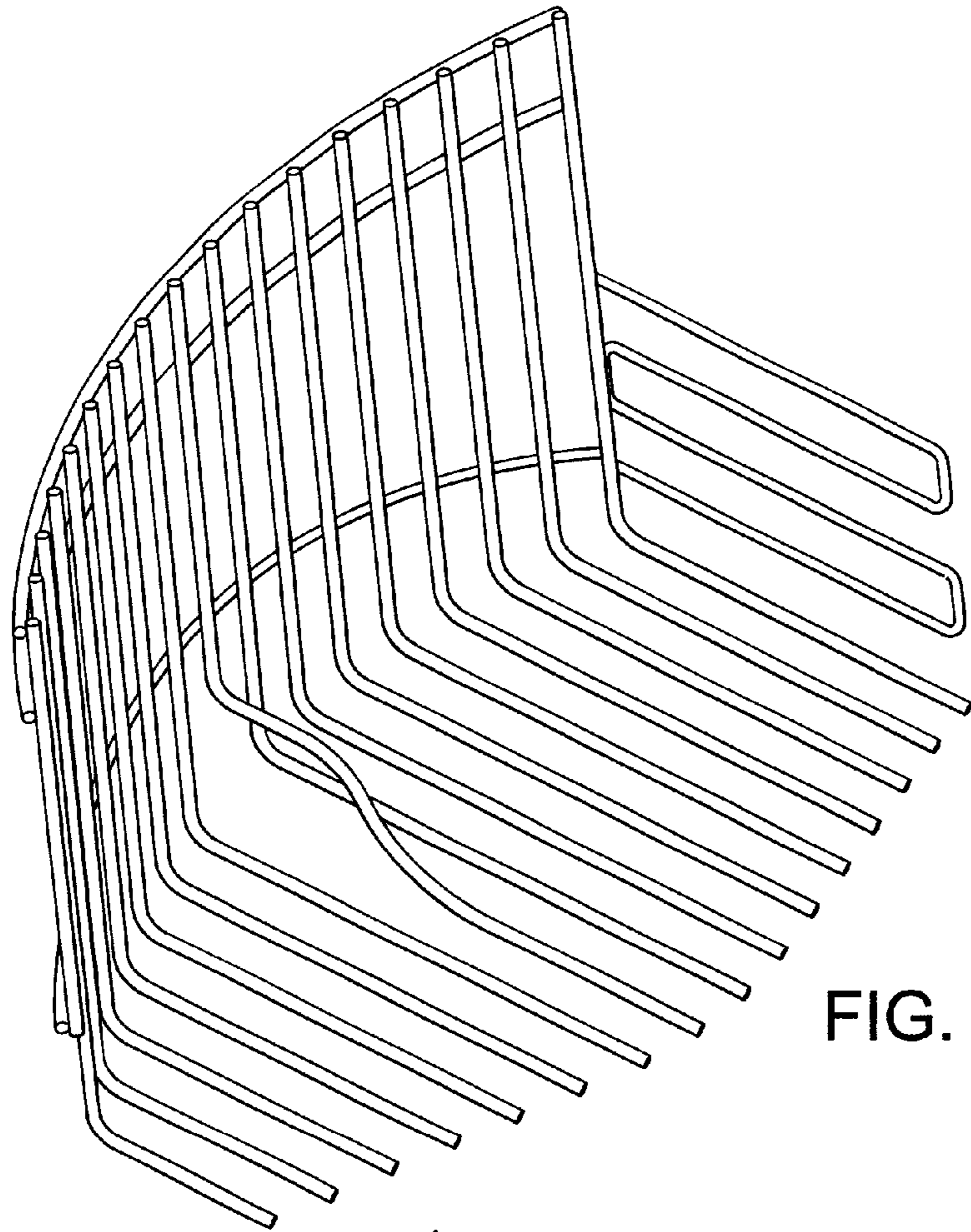


FIG. 1

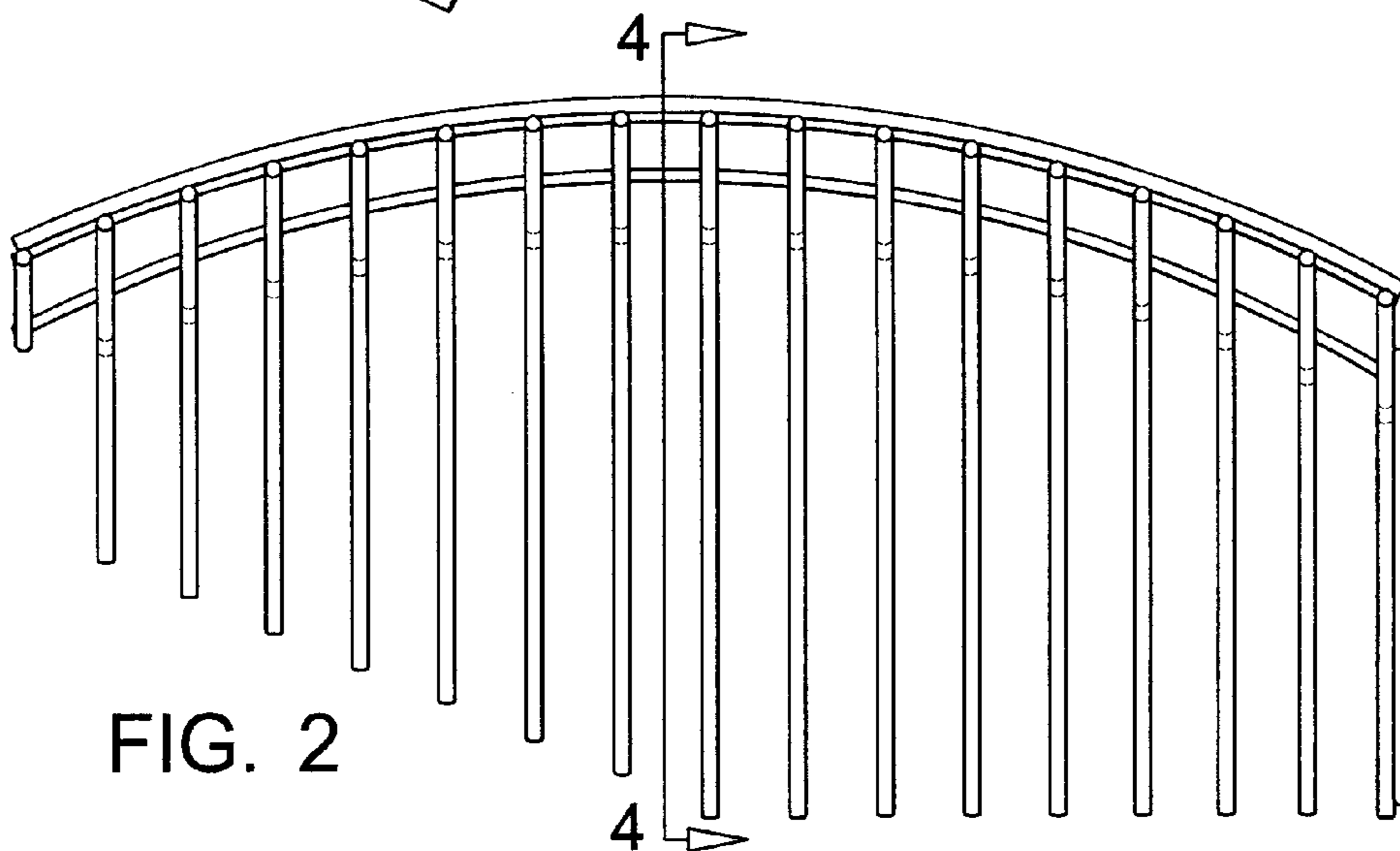


FIG. 2

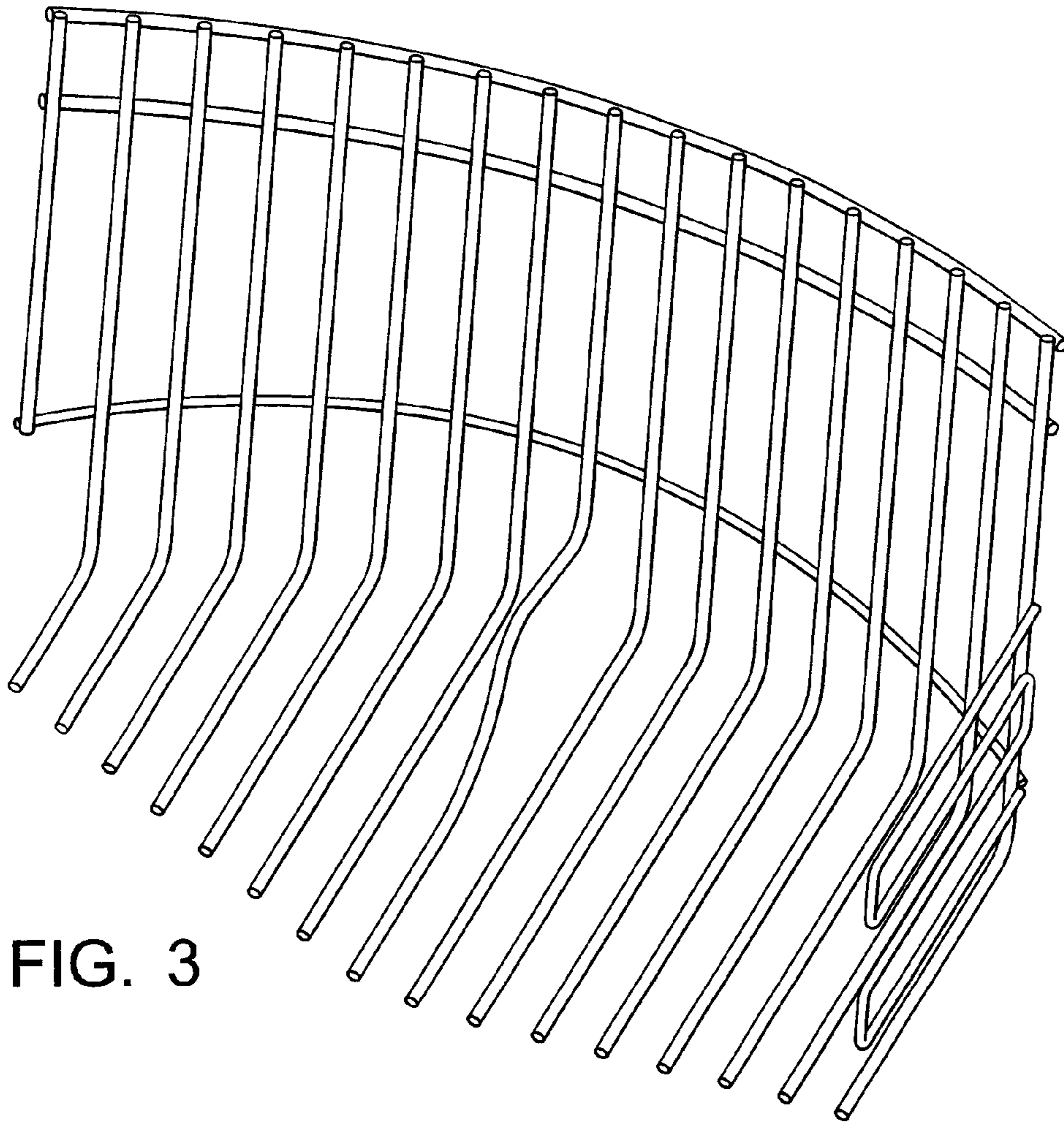


FIG. 3

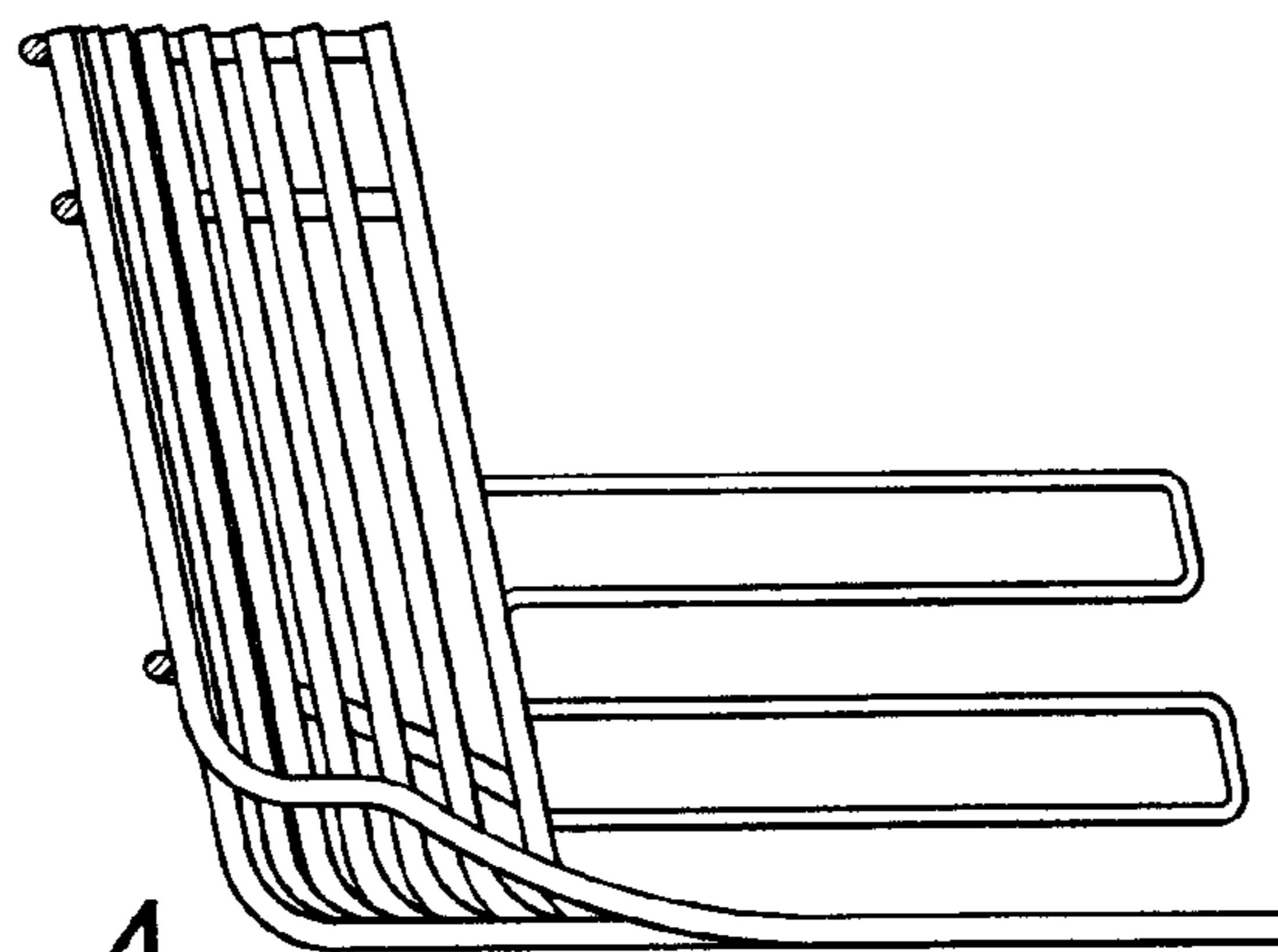


FIG. 4