



US00D533318S

(12) **United States Design Patent**  
**Renforth**

(10) **Patent No.:** **US D533,318 S**

(45) **Date of Patent:** **\*\* Dec. 5, 2006**

(54) **REVOLVING ANCHORED PET TOY**

(75) **Inventor:** **Jack W. Renforth**, Aurora, CO (US)

(73) **Assignee:** **Aspen Pet Products, Inc.**, Denver, CO (US)

(\*\*) **Term:** **14 Years**

(21) **Appl. No.:** **29/213,112**

(22) **Filed:** **Sep. 13, 2004**

(51) **LOC (8) Cl.** ..... **30-99**

(52) **U.S. Cl.** ..... **D30/160**

(58) **Field of Classification Search** ..... D30/160,  
D30/199; 119/701-711; D21/406, 408, 490,  
D21/498, 576, 599, 656  
See application file for complete search history.

(56) **References Cited**

**U.S. PATENT DOCUMENTS**

D373,662	S	*	9/1996	Box	.....	D30/160
D380,879	S	*	7/1997	Hernandez	.....	D30/160
D411,042	S	*	6/1999	Willinger	.....	D30/160
D412,767	S	*	8/1999	Bemis et al.	.....	D30/160
D414,903	S	*	10/1999	Baiera et al.	.....	D30/160
6,550,426	B1	*	4/2003	Tsengas	.....	119/707
D512,470	S	*	12/2005	Sikio	.....	D21/656
2004/0237905	A1	*	12/2004	Tsengas	.....	119/711

**OTHER PUBLICATIONS**

Doctors Forster Smith, spring 2003. Cy-Prrr Mouse, center left p. 119.\*

\* cited by examiner

*Primary Examiner*—Louis S. Zarfes

*Assistant Examiner*—Anhdao Doan

(74) *Attorney, Agent, or Firm*—Dorsey & Whitney LLP

(57) **CLAIM**

I claim the ornamental design for a revolving anchored pet toy, as shown and described.

**DESCRIPTION**

FIG. 1 is a perspective view showing the front, top, and left sides of a revolving anchored pet toy;

FIG. 2 is a front plan view of the revolving anchored pet toy depicted in FIG. 1;

FIG. 3 is a rear plan view of the revolving anchored pet toy depicted in FIG. 1;

FIG. 4 is a left-side view of the revolving anchored pet toy depicted in FIG. 1;

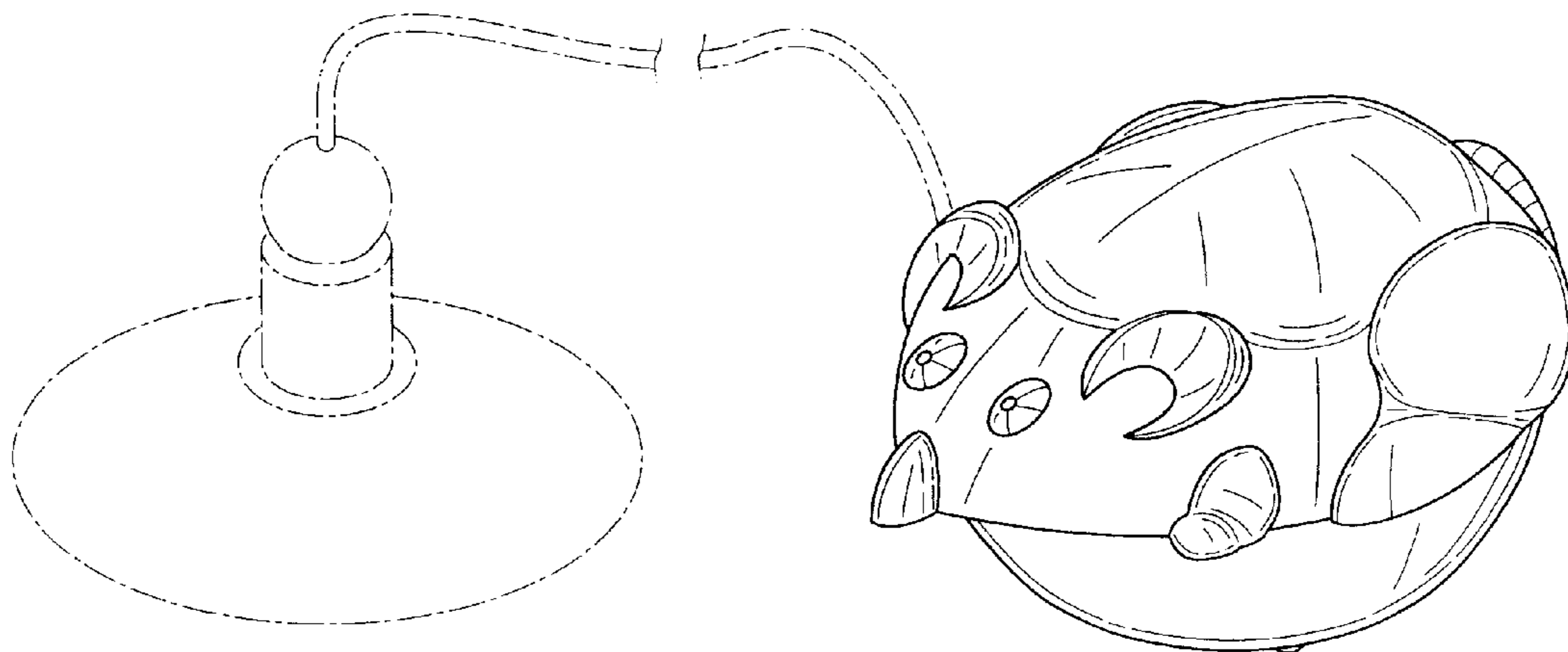
FIG. 5 is a right-side view of the revolving anchored pet toy depicted in FIG. 1;

FIG. 6 is a top plan view of the revolving anchored pet toy depicted in FIG. 1; and,

FIG. 7 is a bottom plan view of the revolving anchored pet toy depicted in FIG. 1.

The broken line showing of the environment is for illustrative purposes only and forms no part of the claimed design.

**1 Claim, 5 Drawing Sheets**



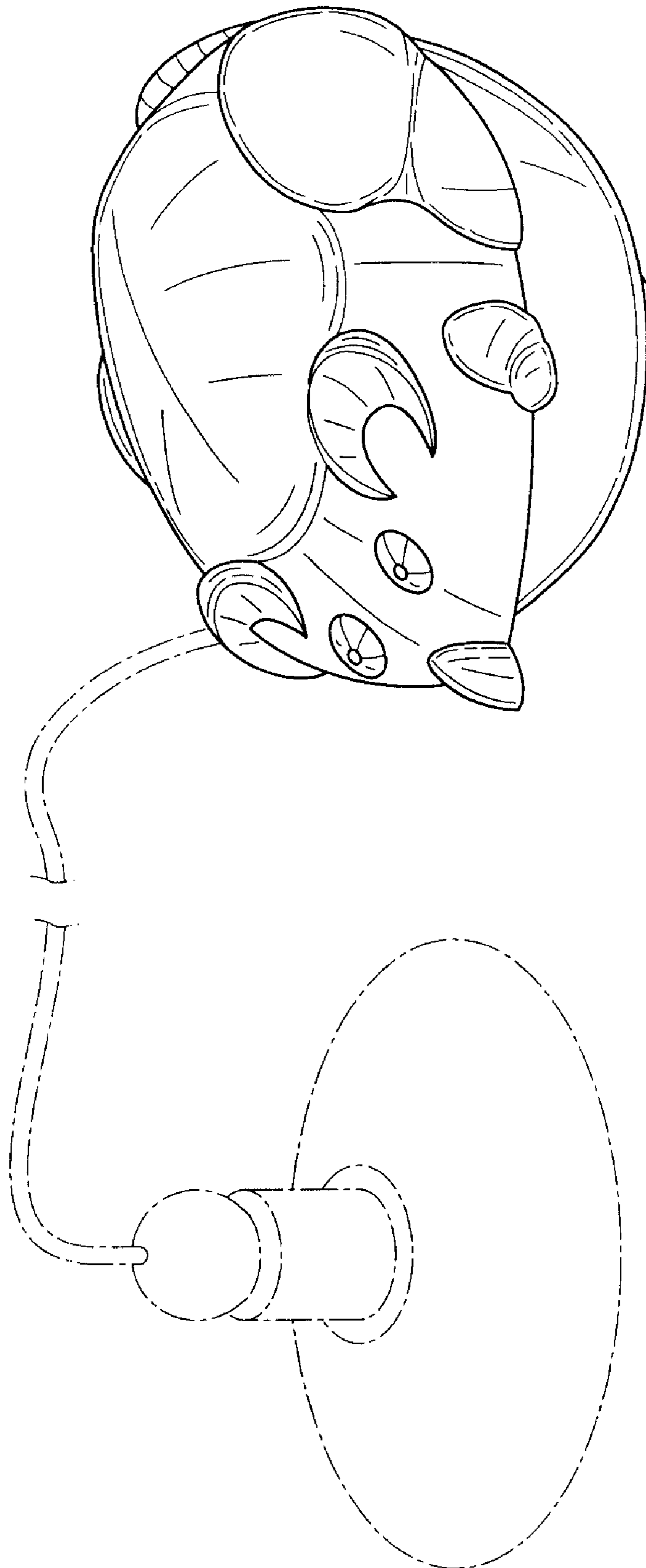


FIG.1

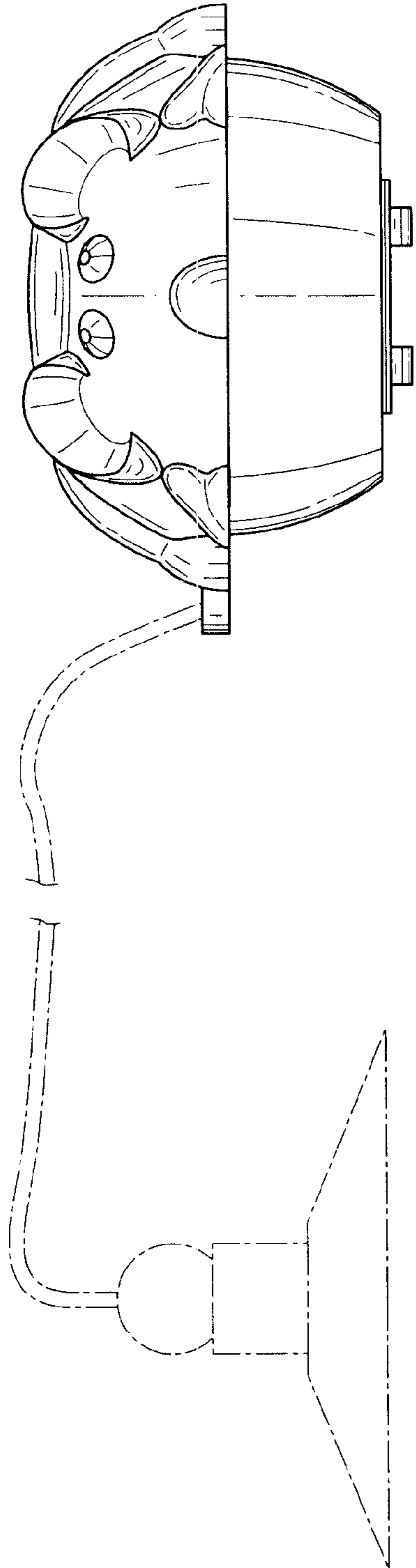


FIG. 2

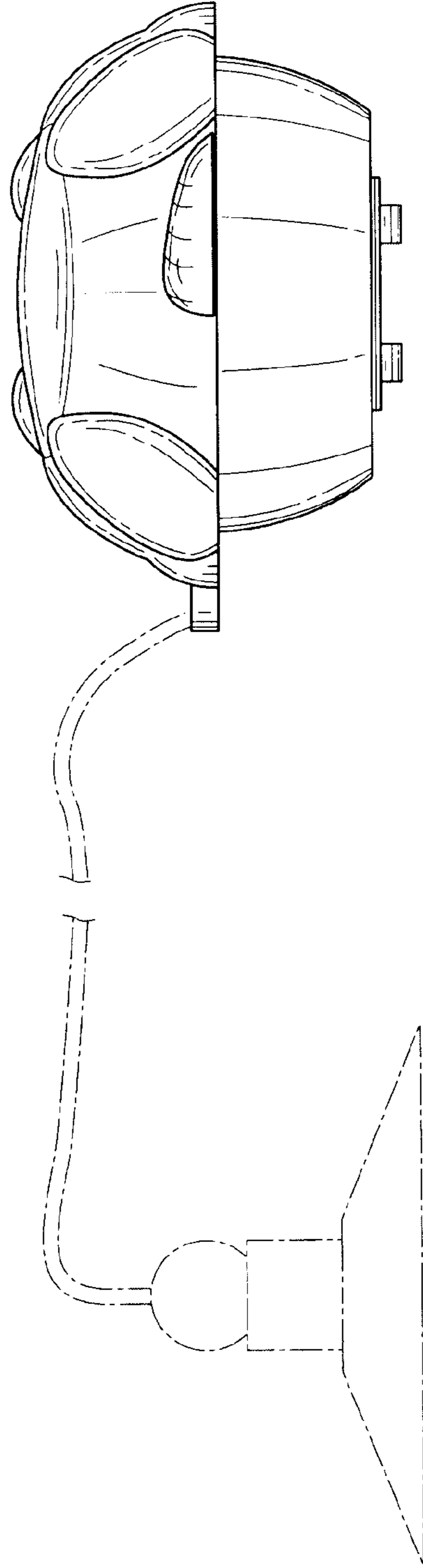


FIG. 3

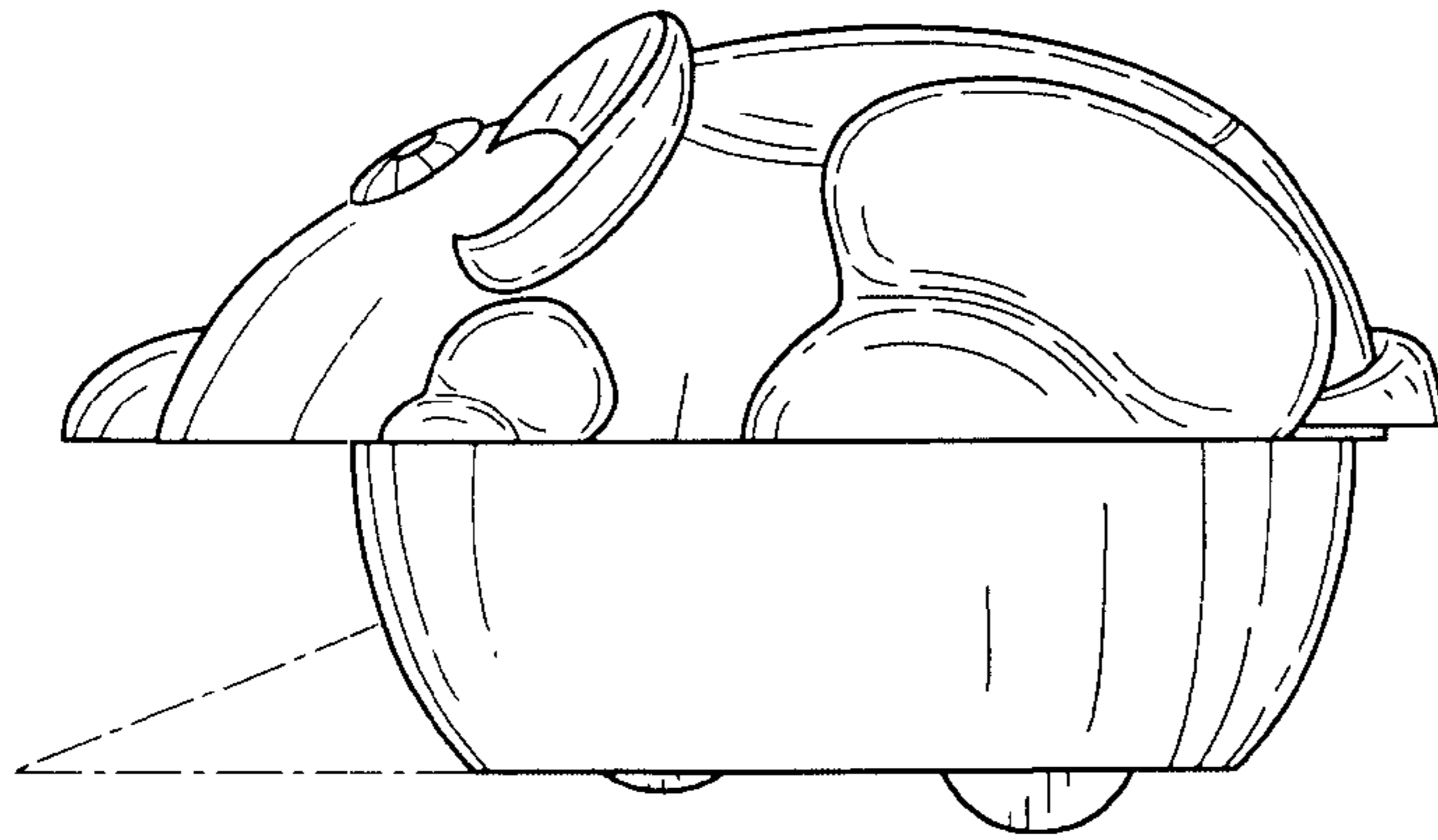


FIG. 4

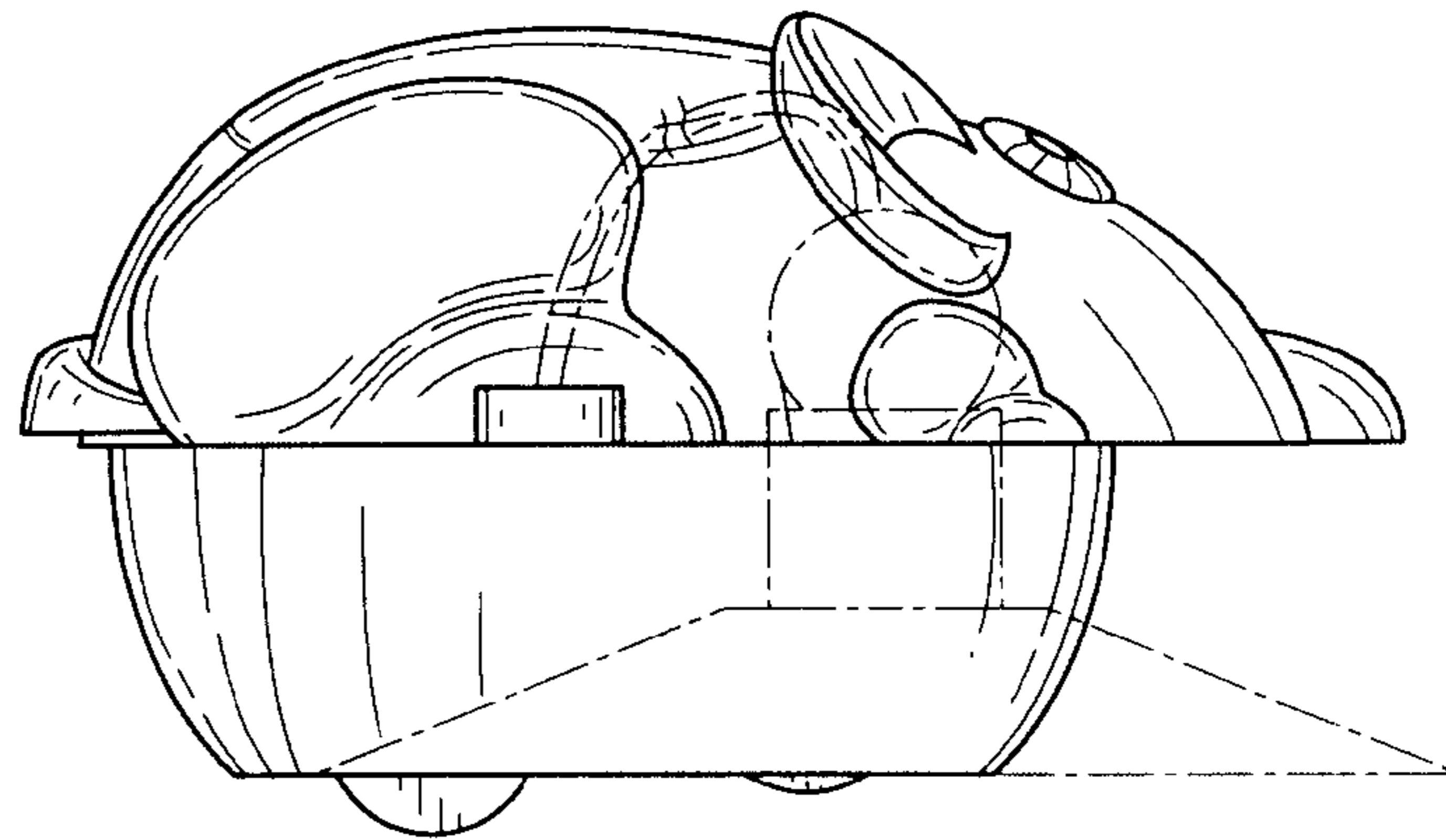


FIG. 5

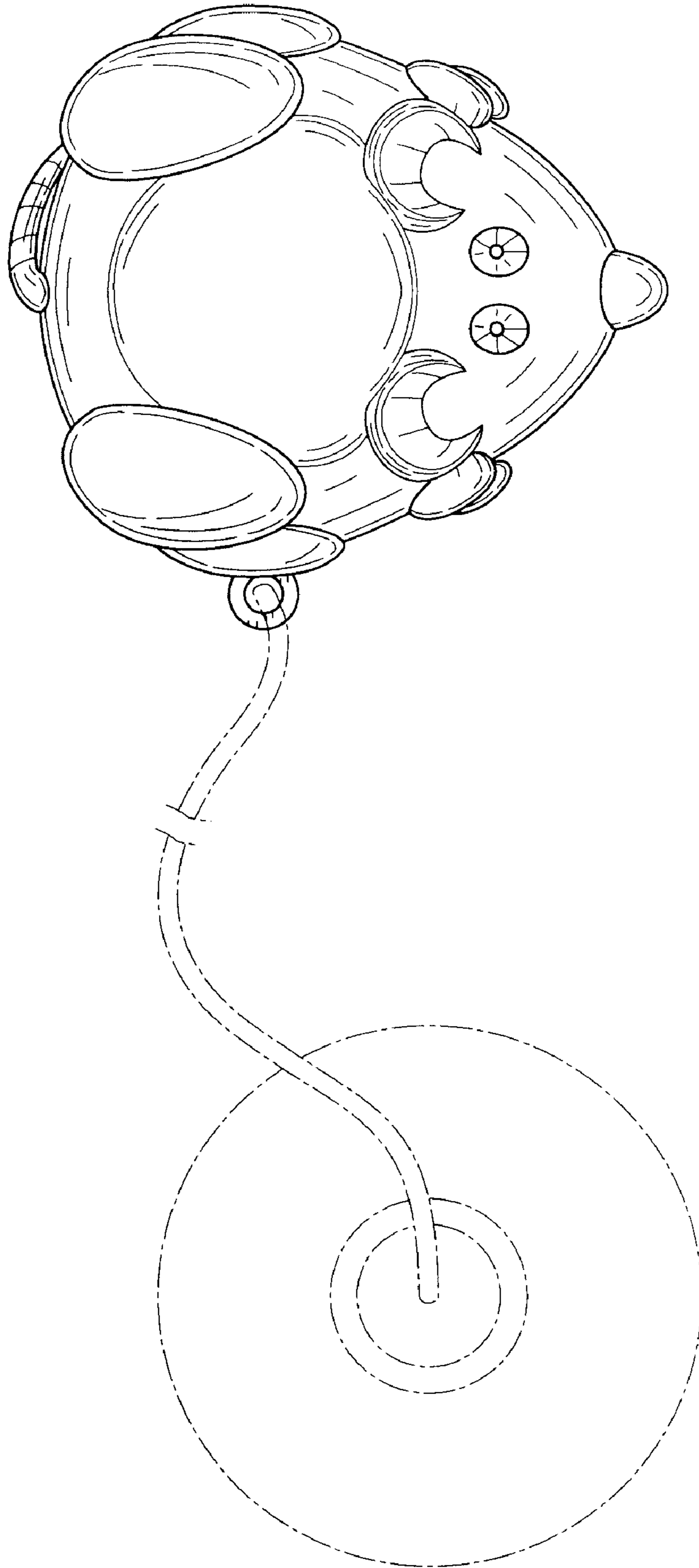


FIG.6

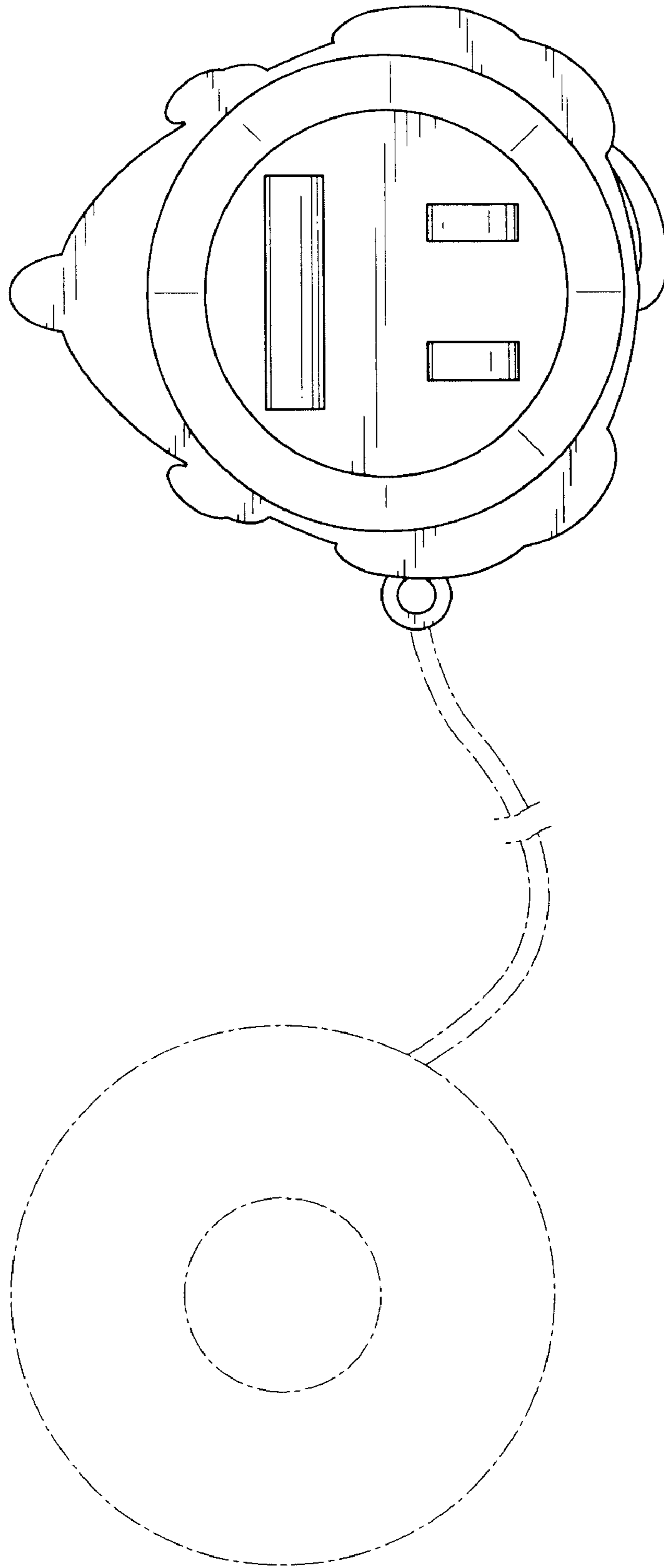


FIG.7