



US00D533311S

(12) **United States Design Patent**  
**Ditrichstein**

(10) **Patent No.:** **US D533,311 S**

(45) **Date of Patent:** **\*\* Dec. 5, 2006**

(54) **COSMETIC PALETTE**

(75) Inventor: **Vincent Ditrichstein**, Paris (FR)

(73) Assignee: **ELC Management LLC**, New York, NY (US)

(\*\*) Term: **14 Years**

(21) Appl. No.: **29/242,287**

(22) Filed: **Nov. 8, 2005**

(51) **LOC (8) Cl.** ..... **28-03**

(52) **U.S. Cl.** ..... **D28/76; D28/83**

(58) **Field of Classification Search** ..... D28/73,  
D28/76-83; 206/581, 823; 132/293-307,  
132/314, 315, 318

See application file for complete search history.

(56) **References Cited**

**U.S. PATENT DOCUMENTS**

1,503,378	A	7/1924	Reid	
1,626,842	A	5/1927	Kendall	
1,999,328	A *	4/1935	Lessard	132/315
2,196,017	A	4/1940	Kane	
2,204,717	A	6/1940	Younghusband	
2,264,300	A	12/1941	Davies	
D212,068	S	8/1968	Ash	
3,502,089	A *	3/1970	Paradis	132/294
D307,196	S	4/1990	McClure	
5,337,890	A *	8/1994	Lai	132/296
5,513,754	A *	5/1996	Chang	206/581
D460,216	S *	7/2002	Hong	D28/76
D482,498	S	11/2003	Jeong	
2005/0000850	A1 *	1/2005	Young	206/581

**FOREIGN PATENT DOCUMENTS**

HK	9801502.3	6/1997
HK	0410679.5M003	3/2004
JP	1141675	5/2002

KR	30-0280966	10/2001
KR	30-0284247	11/2001
KR	30-0289886	2/2002
KR	30-0305886	9/2002
KR	30-0305087-1	9/2002
KR	30-0338989	12/2003
TW	D105007	6/2005
WO	DM/005899	9/1985

\* cited by examiner

*Primary Examiner*—Jennifer Rivard

(74) *Attorney, Agent, or Firm*—Cynthia R. Miller

(57) **CLAIM**

What is claimed is the ornamental design for a cosmetic palette, substantially as shown and described.

**DESCRIPTION**

FIG. 1 is a top, front and right side perspective view of a new design for a cosmetic palette shown in the closed position; FIG. 2 is a top, front and right side perspective view of the cosmetic palette shown in the open position;

FIG. 3 is a front elevation view of the cosmetic palette shown in FIG. 1;

FIG. 4 is a top plan view of the cosmetic palette shown in FIG. 1;

FIG. 5 is a rear elevation view of the cosmetic palette shown in FIG. 1

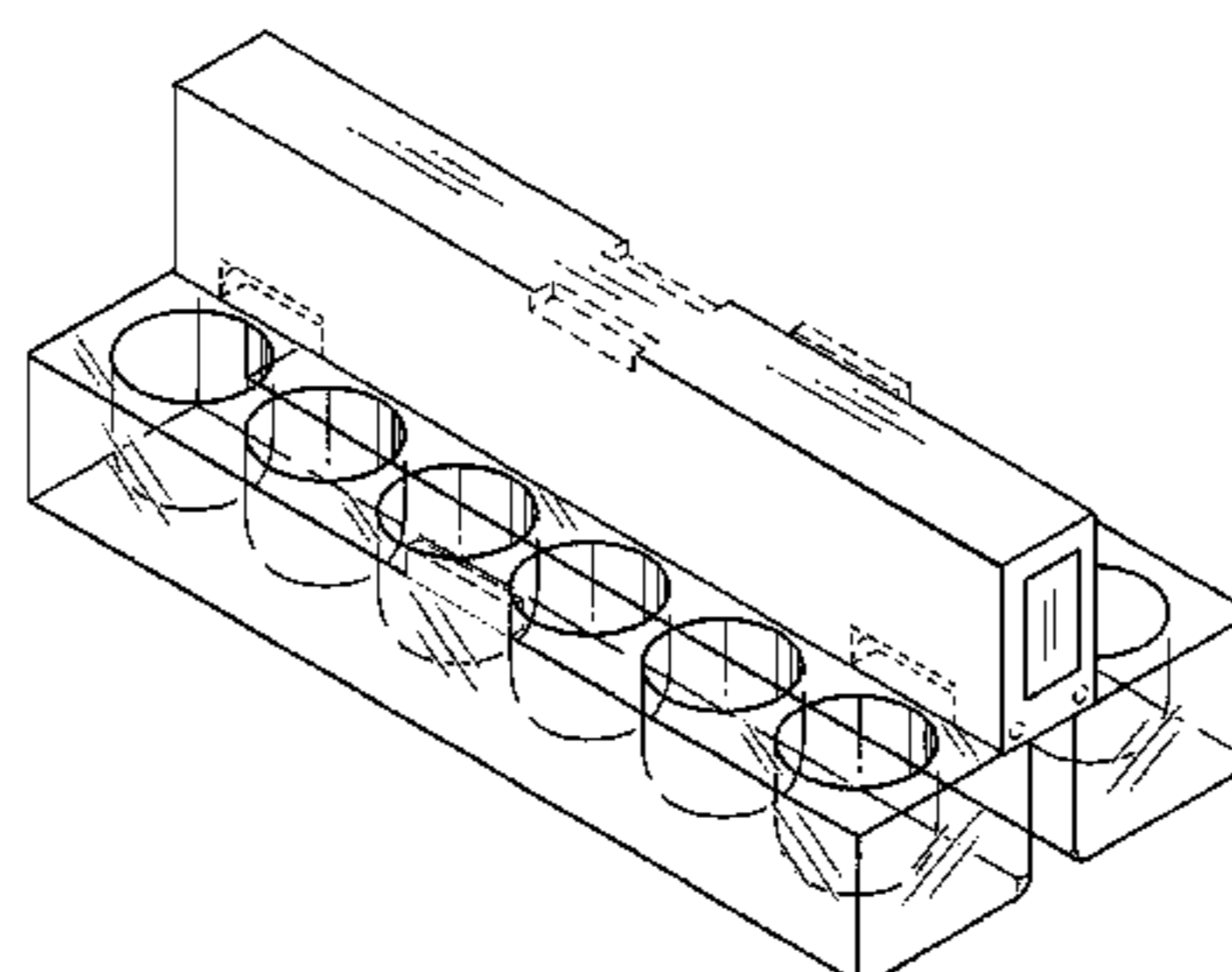
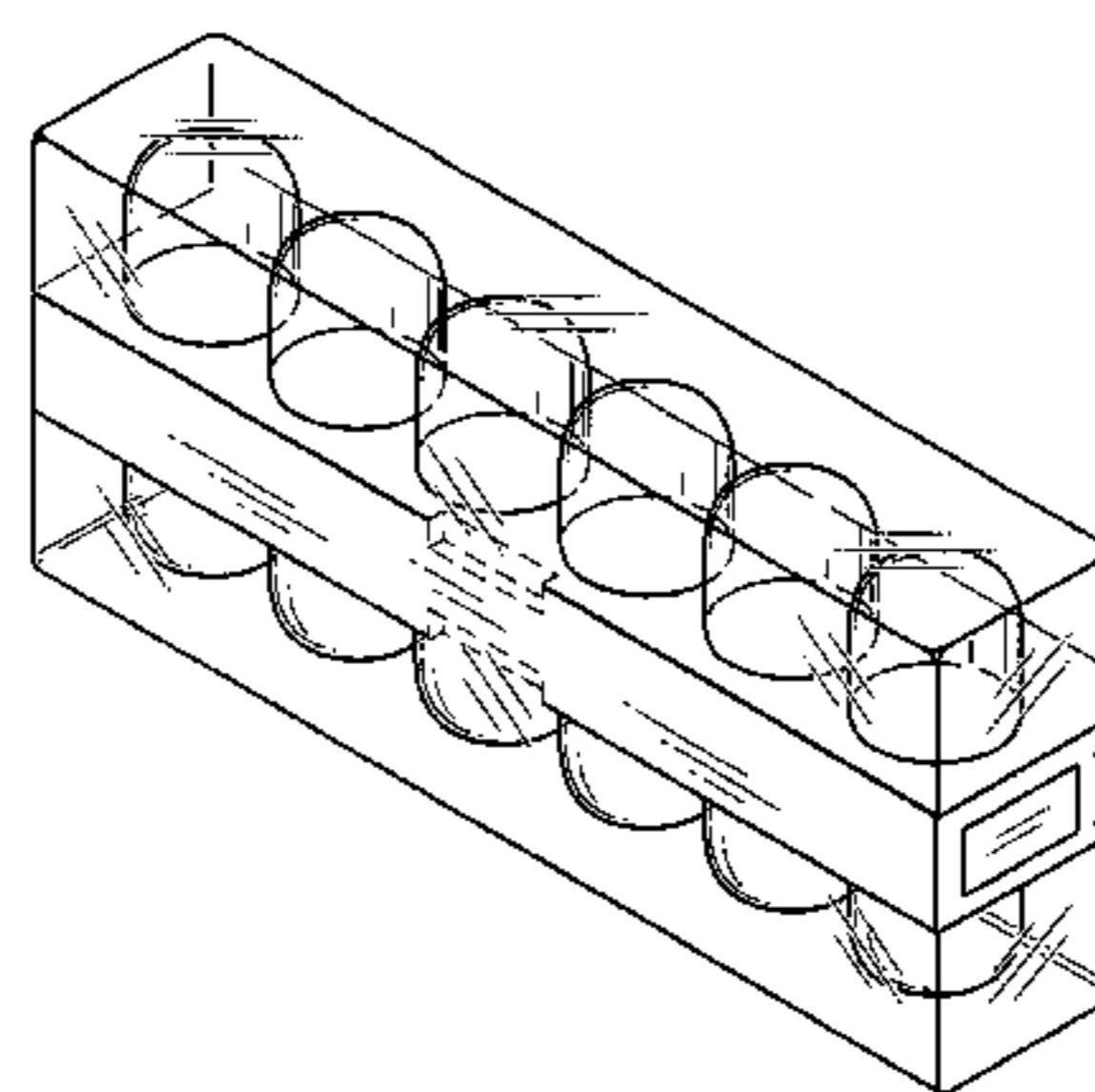
FIG. 6 is a right side elevation view of the cosmetic palette shown in FIG. 1;

FIG. 7 is a left side elevation view of the cosmetic palette shown in FIG. 1; and,

FIG. 8 is a top, right side perspective view of the cosmetic palette shown in FIG. 1, showing a drawer in an extended position.

The broken lines shown in the figures are for illustrative purposes only and form no part of the claimed design.

**1 Claim, 3 Drawing Sheets**



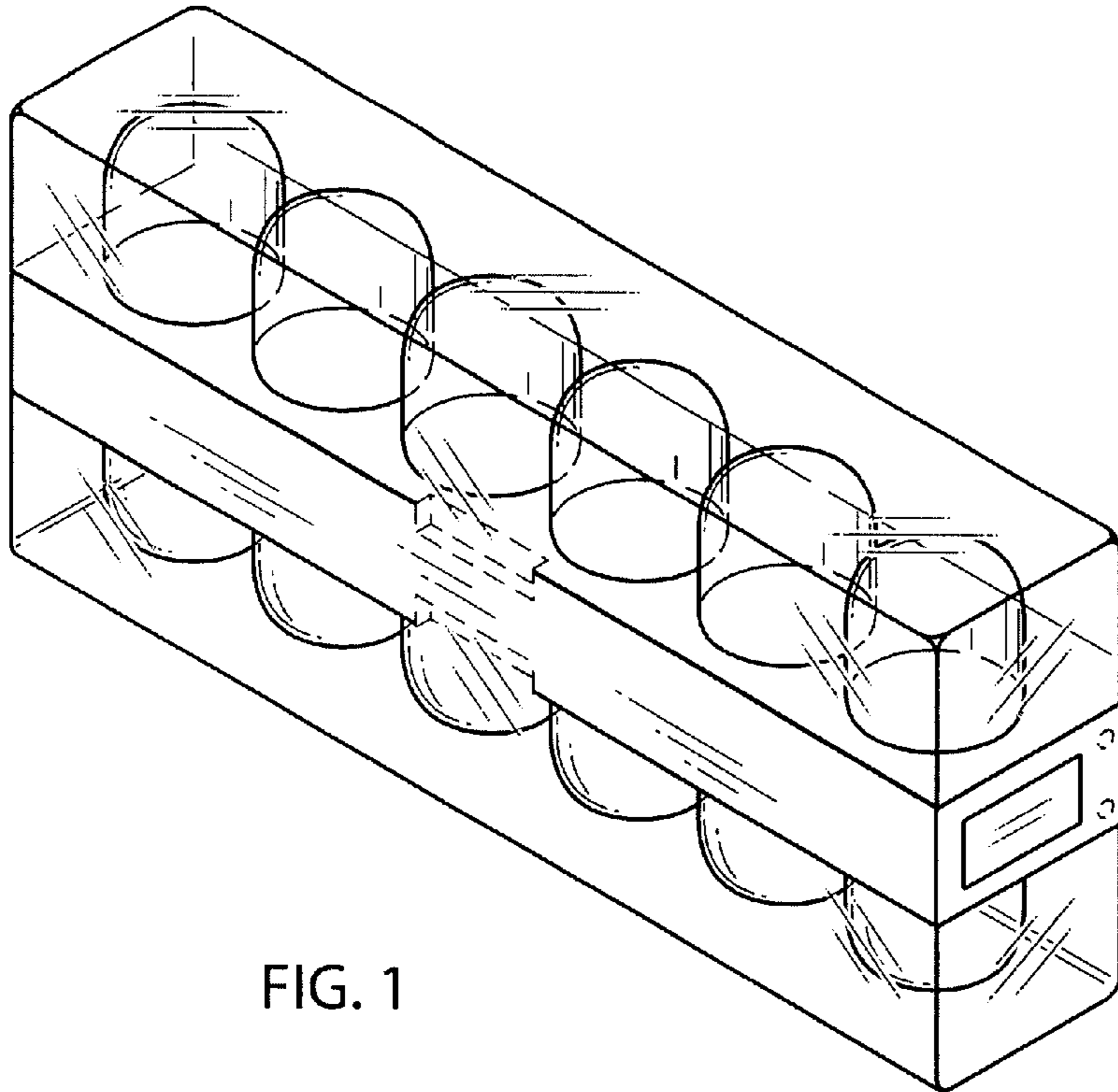


FIG. 1

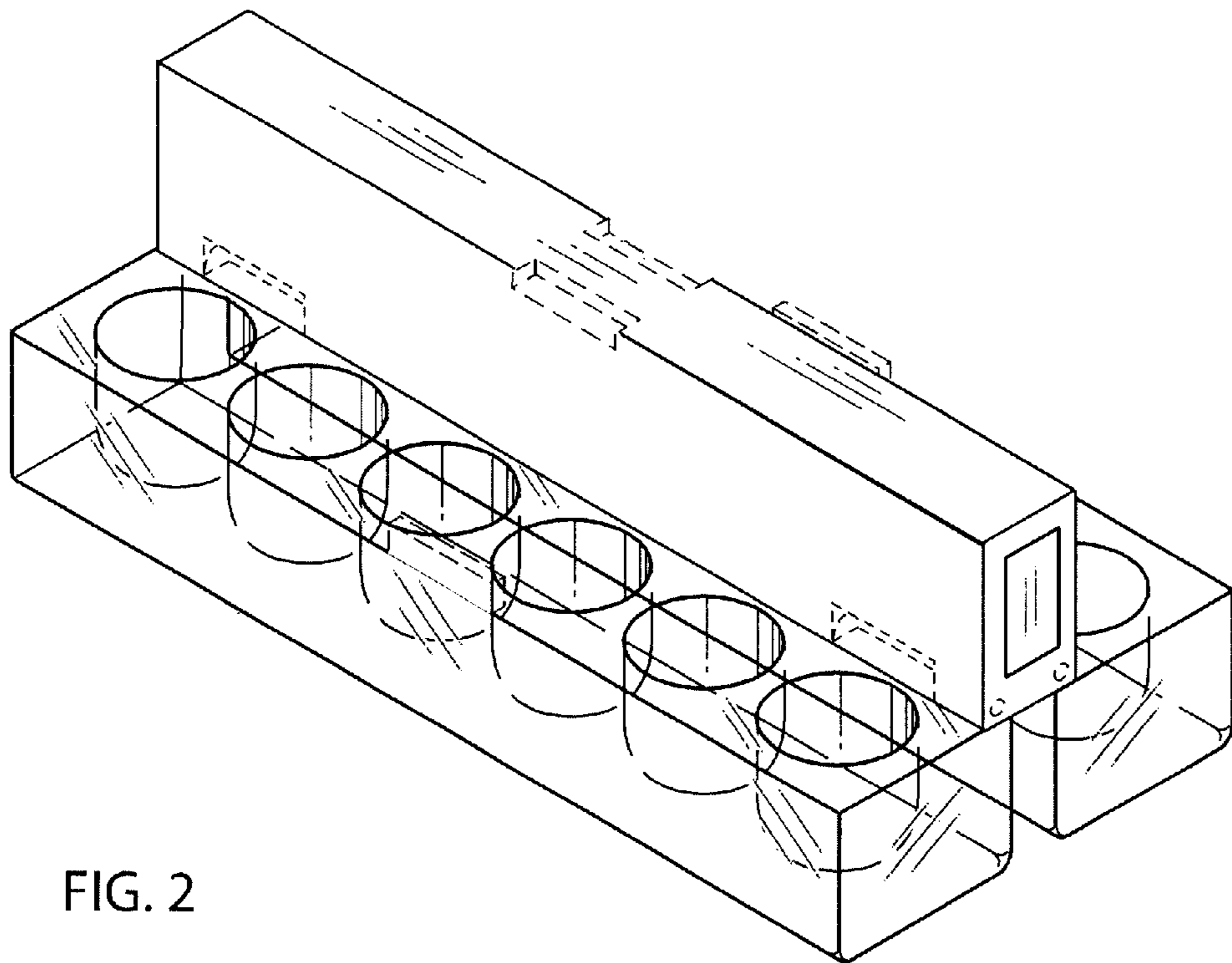


FIG. 2

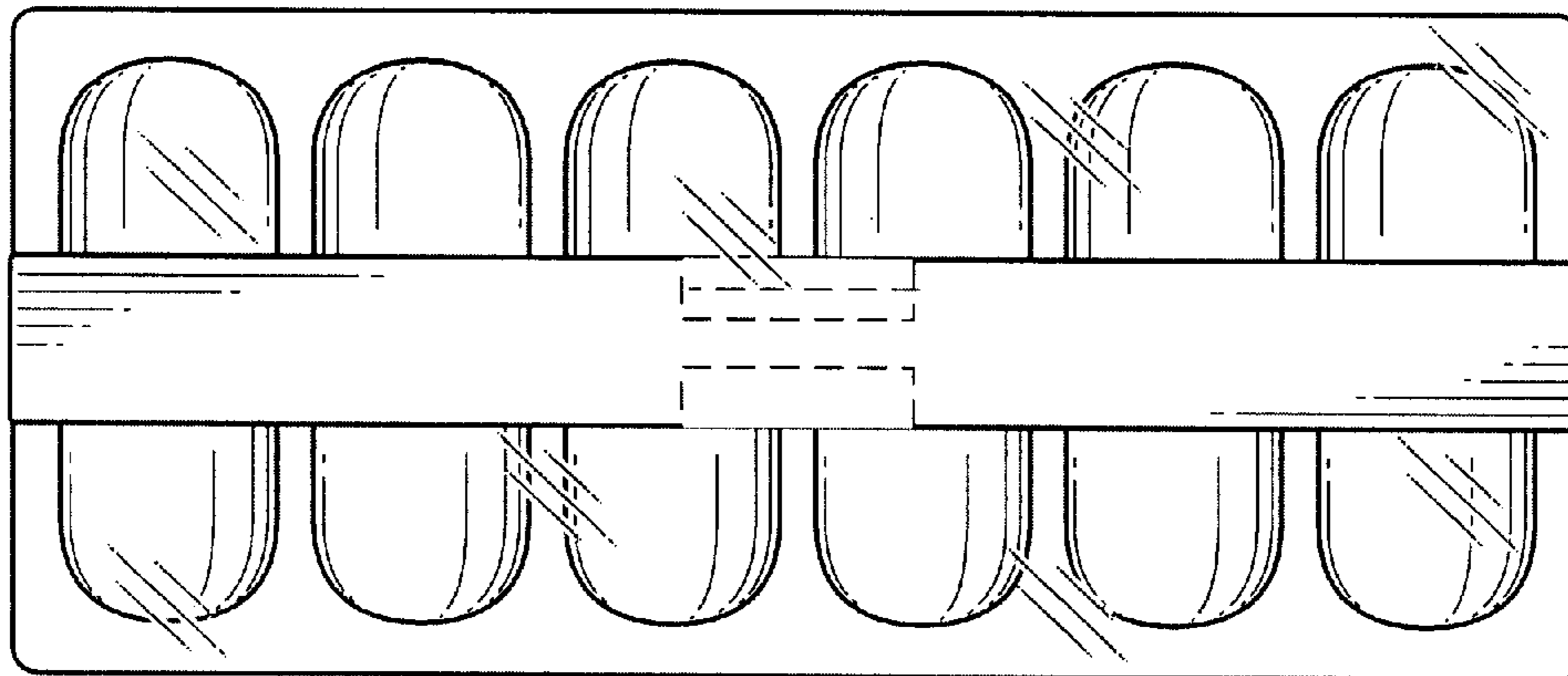


FIG. 3

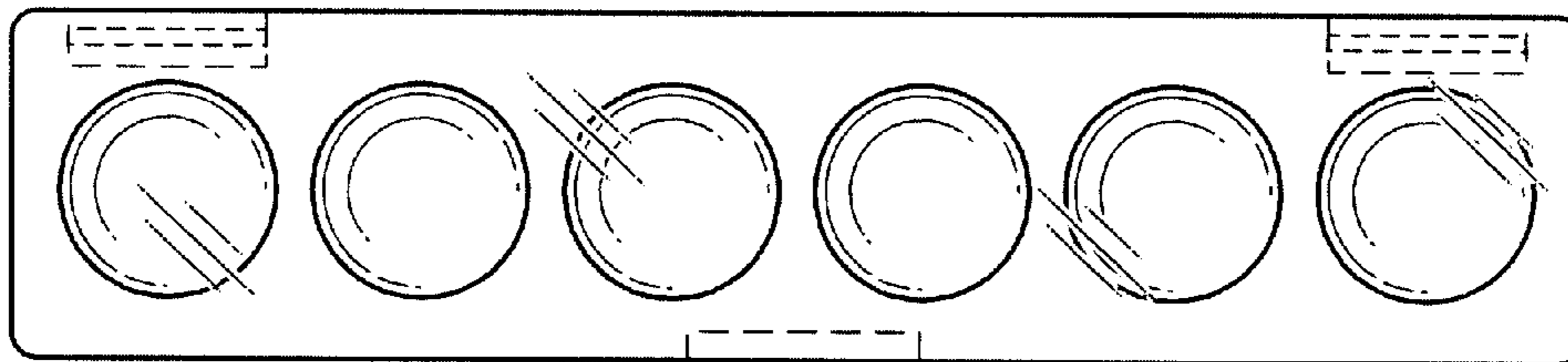


FIG. 4

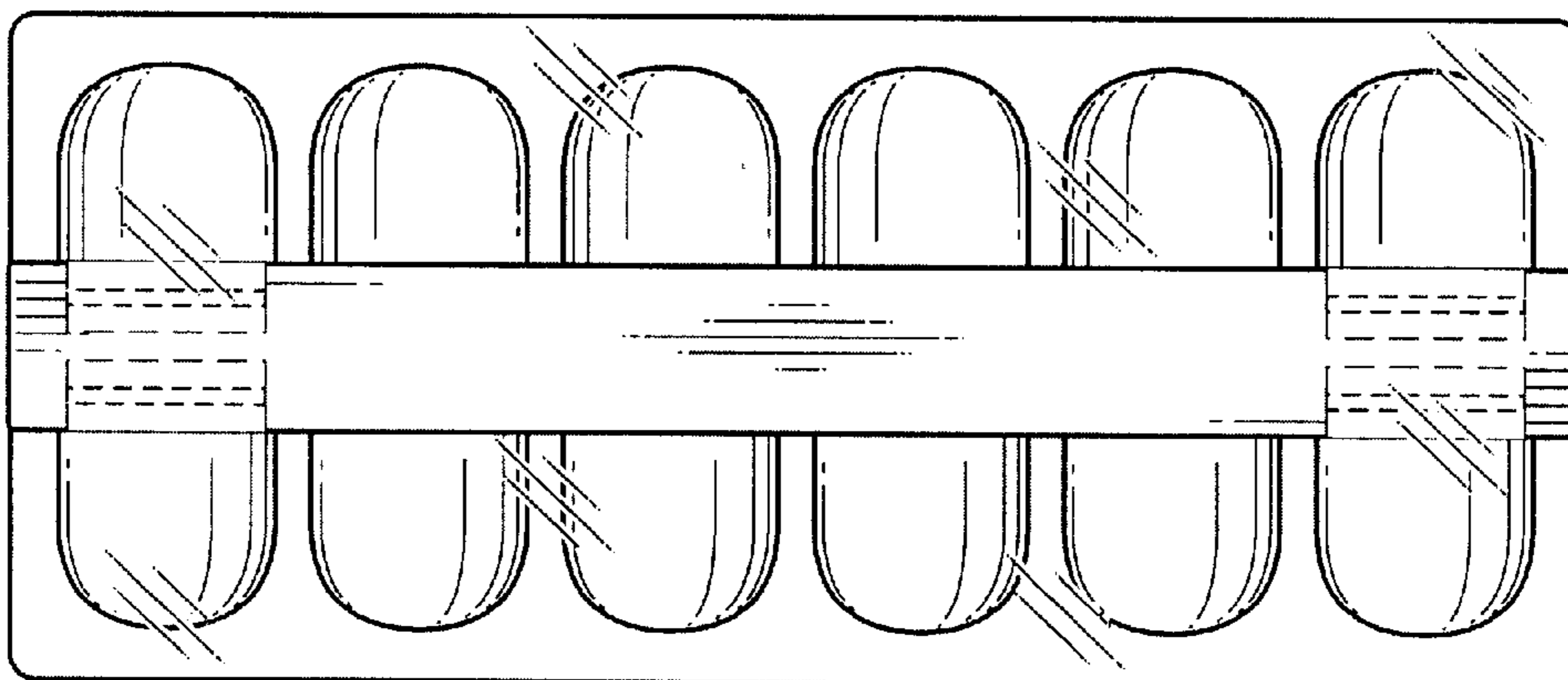


FIG. 5

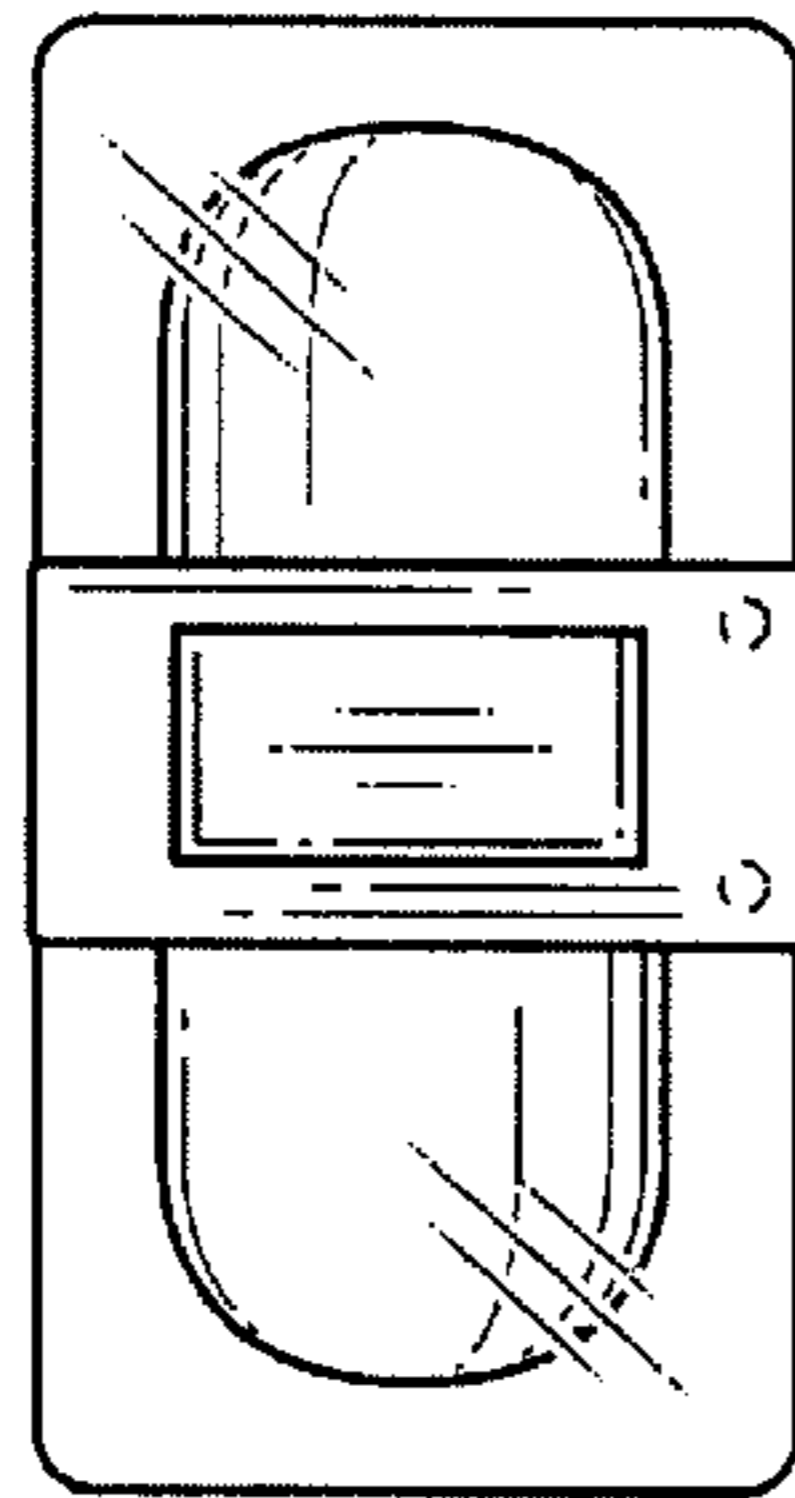


FIG. 6

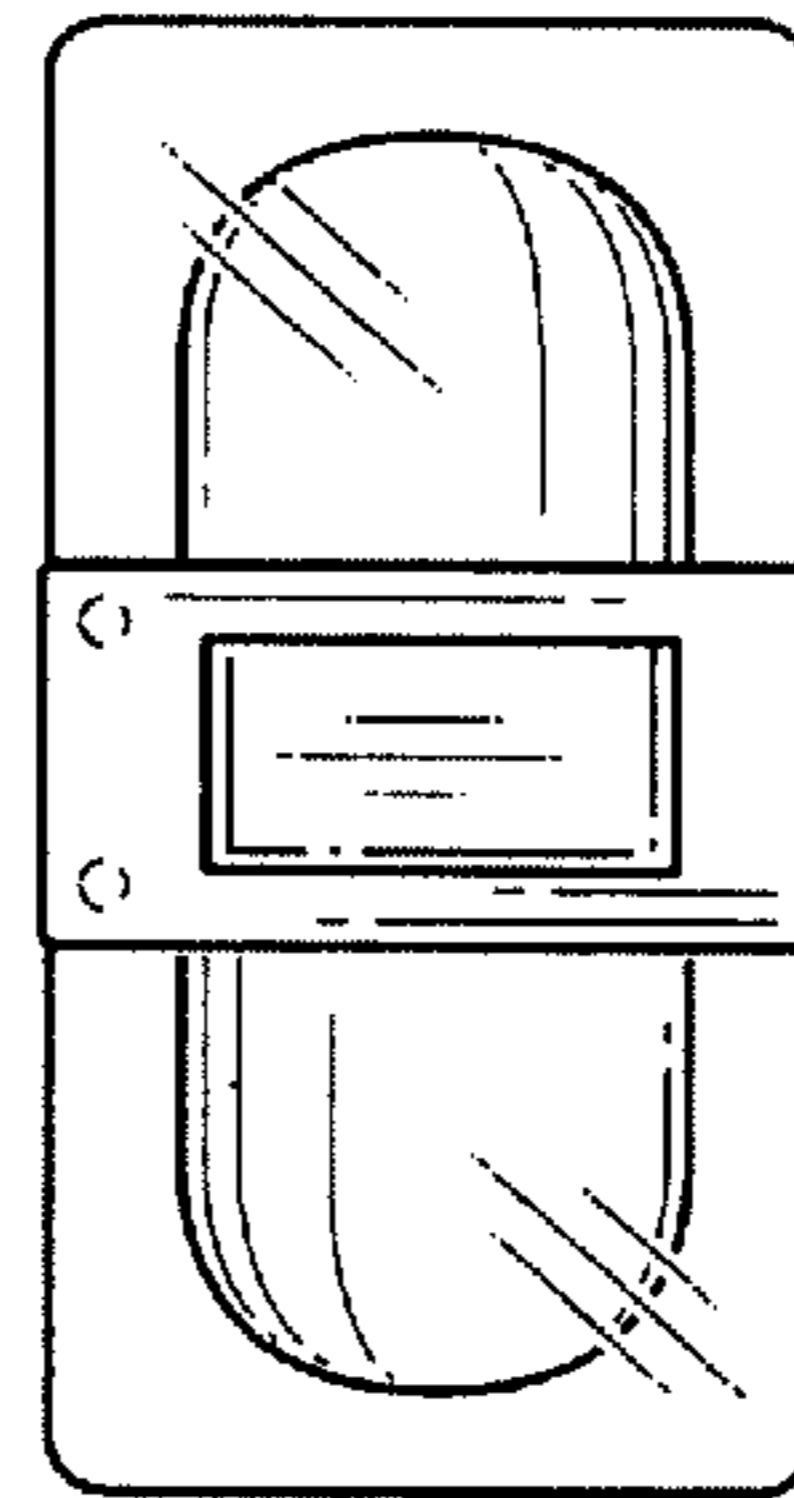


FIG. 7

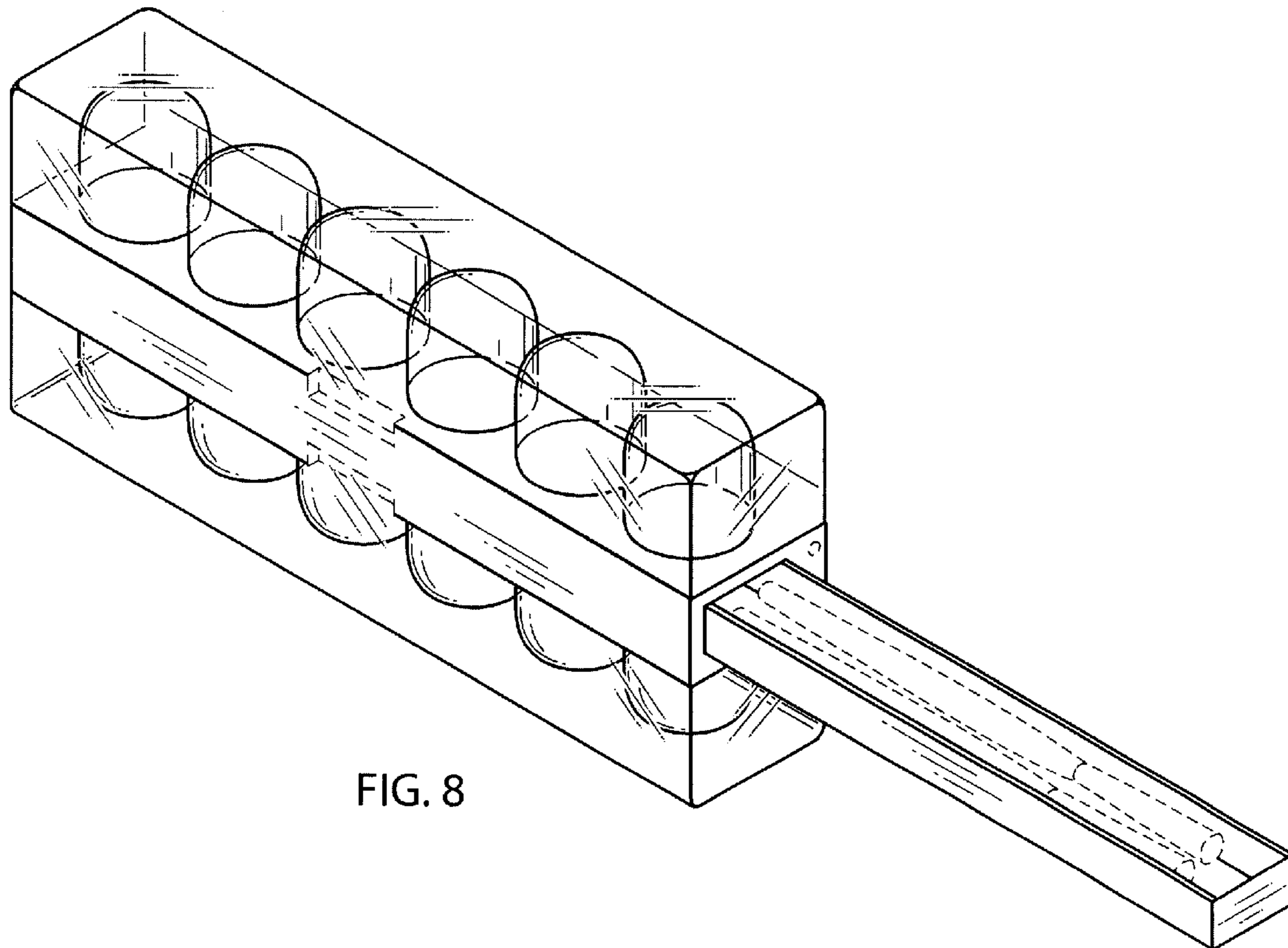


FIG. 8