



US00D533306S

(12) **United States Design Patent**  
**Hsu**

(10) **Patent No.:** **US D533,306 S**  
(45) **Date of Patent:** **\*\* Dec. 5, 2006**

(54) **COVER FOR A HAND DRYER**

(75) Inventor: **Chi-Chin Hsu**, Taipei County (TW)

(73) Assignee: **Hokwang Industries Co., Ltd.**, Taipei County (TW)

(\*\*) Term: **14 Years**

(21) Appl. No.: **29/245,475**

(22) Filed: **Dec. 27, 2005**

(51) **LOC (8) Cl.** ..... **28-03**

(52) **U.S. Cl.** ..... **D28/54.1**

(58) **Field of Classification Search** ..... D28/54.1,  
D28/58, 12; 392/380, 381; D23/357, 361,  
D23/383, 385, 370, 371; 34/266, 201, 202;  
D7/91, 350.4

See application file for complete search history.

(56) **References Cited**

**U.S. PATENT DOCUMENTS**

2,488,227 A \* 11/1949 Nelson ..... 34/99  
D180,322 S \* 5/1957 Feingold ..... D28/54.1  
D204,716 S \* 5/1966 Martin ..... D23/357

D205,741 S \* 9/1966 White ..... D23/357  
D372,399 S \* 8/1996 Wang ..... D7/609  
D501,356 S \* 2/2005 Averty ..... D7/350.4

\* cited by examiner

*Primary Examiner*—Janice E. Seeger

*Assistant Examiner*—Zenia I. Bennett

(74) *Attorney, Agent, or Firm*—Birch, Stewart, Kolasch & Birch, LLP

(57) **CLAIM**

The ornamental design for a cover for a hand dryer, as shown.

**DESCRIPTION**

FIG. 1 is a front perspective view of a cover for a hand dryer showing my new design;

FIG. 2 is a right side elevational view thereof;

FIG. 3 is a top plan view thereof;

FIG. 4 is a front side elevational view thereof;

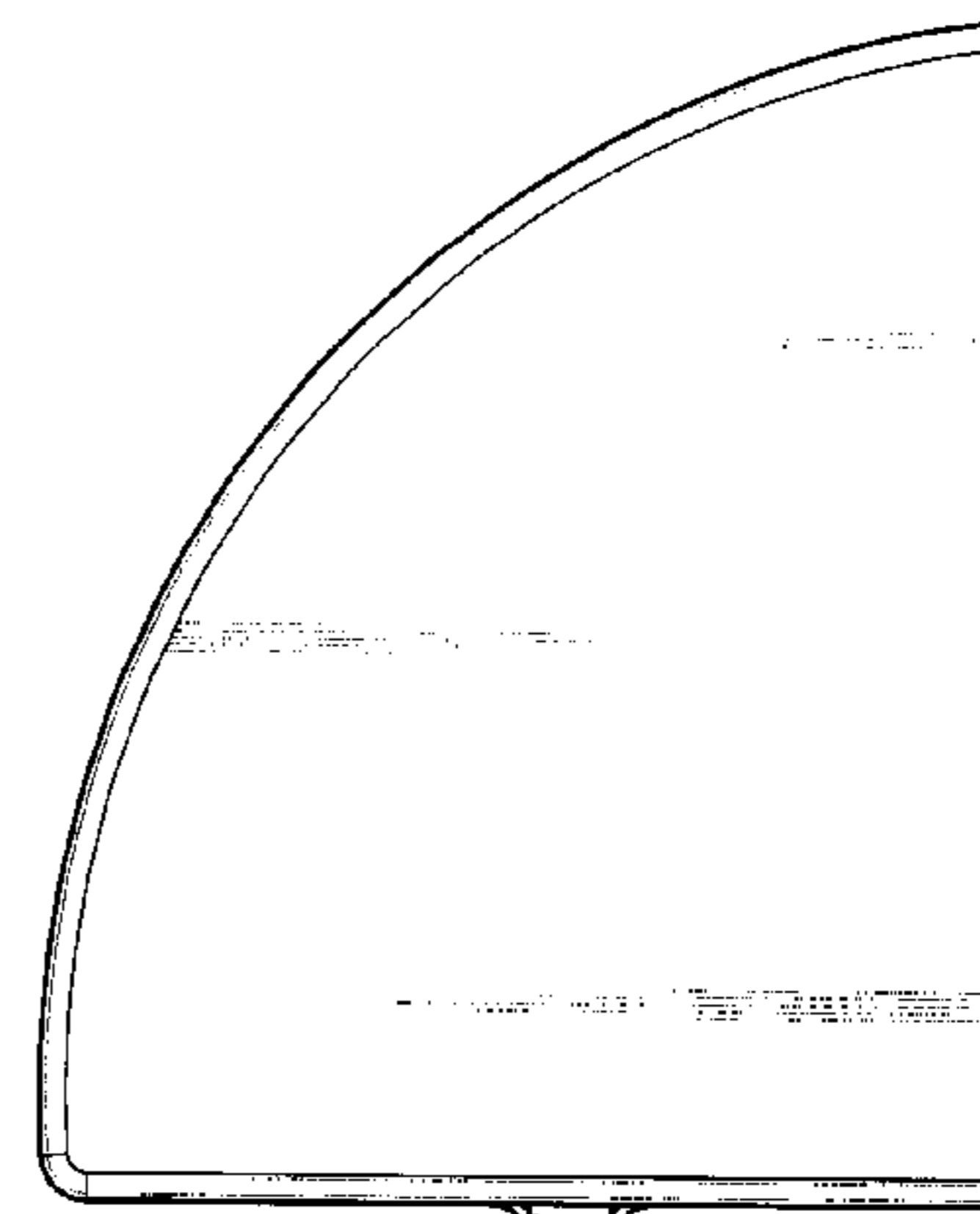
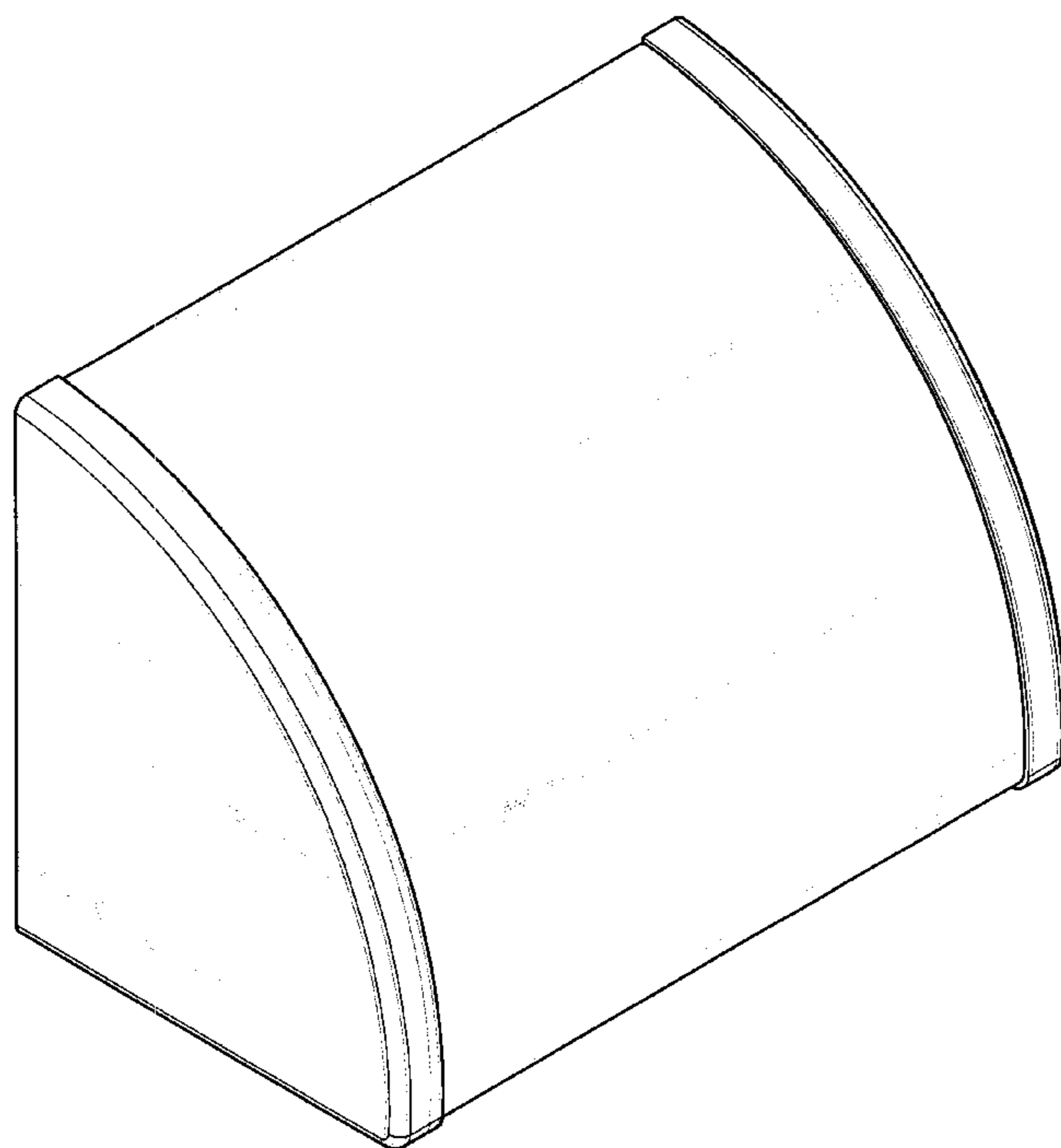
FIG. 5 is a bottom plan view thereof;

FIG. 6 is a left side elevational view thereof; and

FIG. 7 is a rear side elevational view thereof; and,

FIG. 8 is a rear perspective view thereof.

**1 Claim, 5 Drawing Sheets**



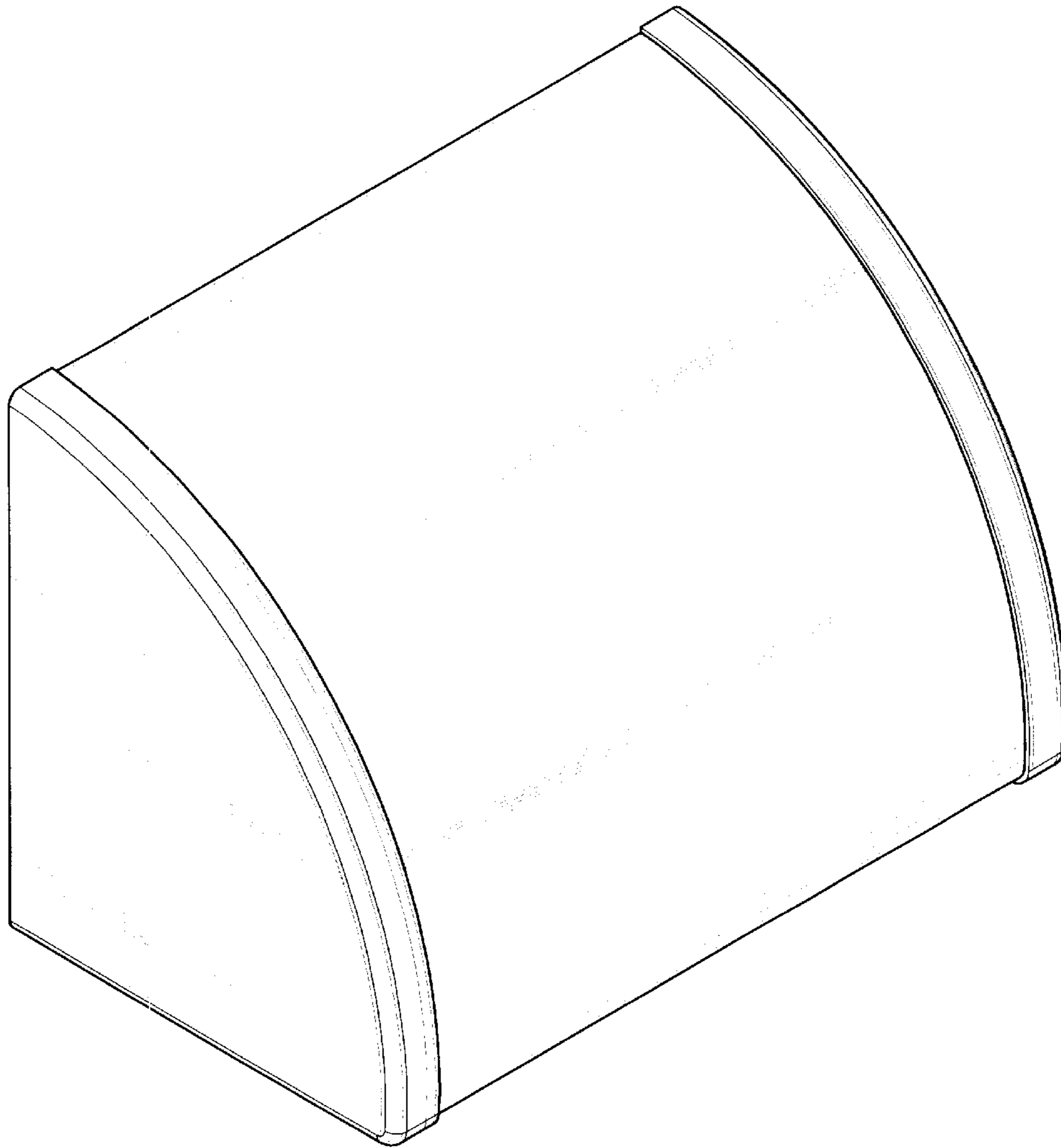


Fig. 1

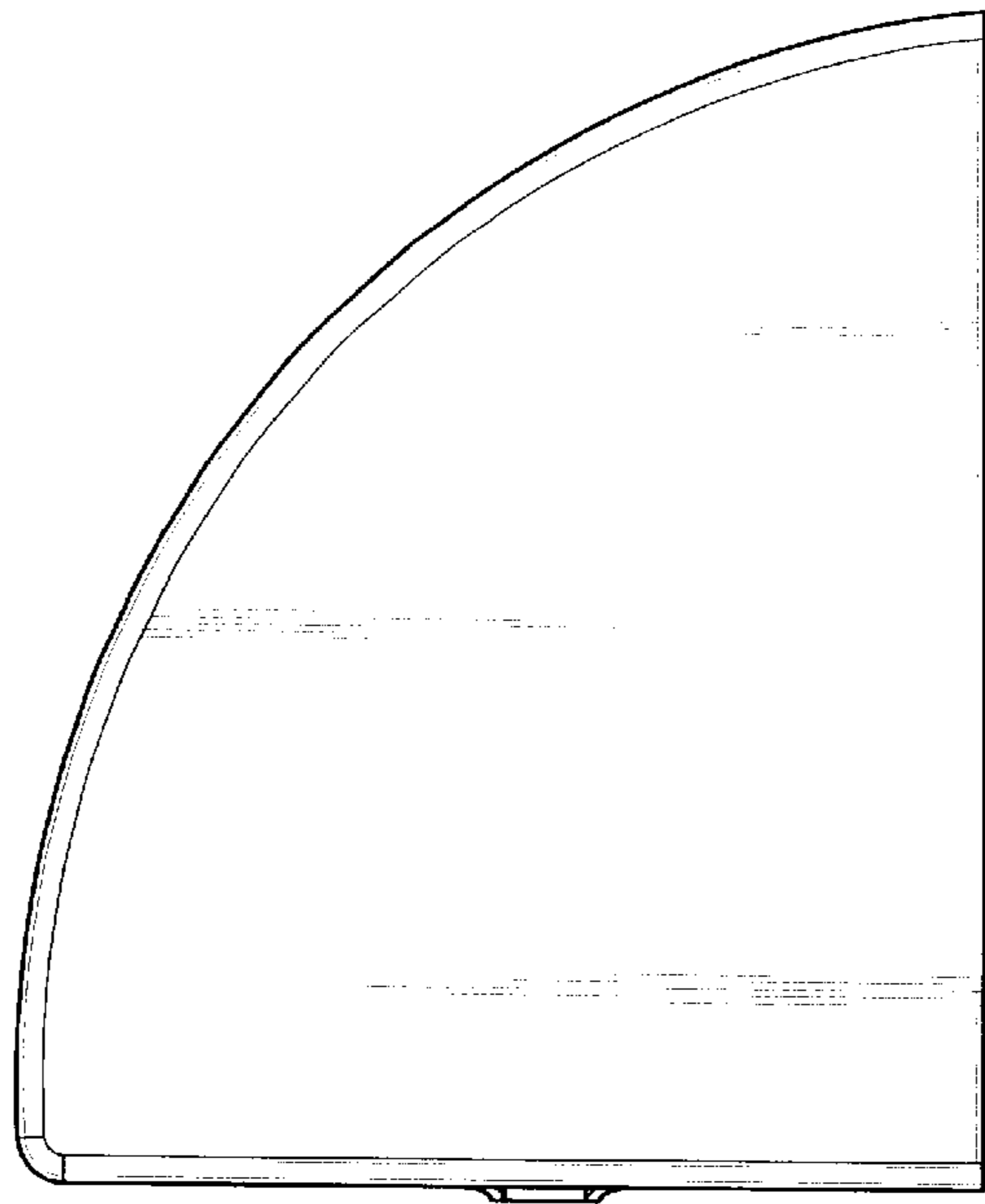


Fig. 2

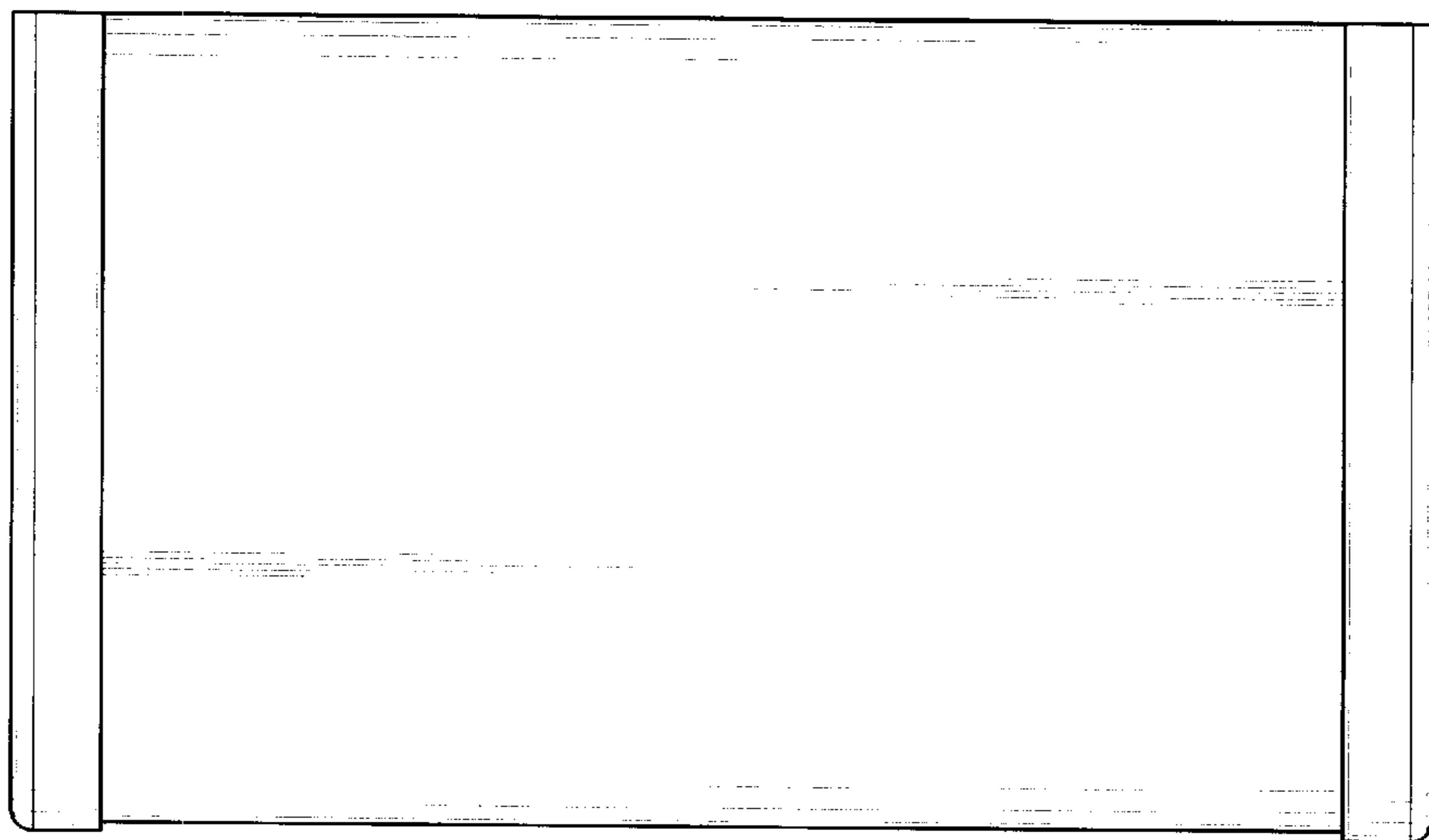


Fig. 3

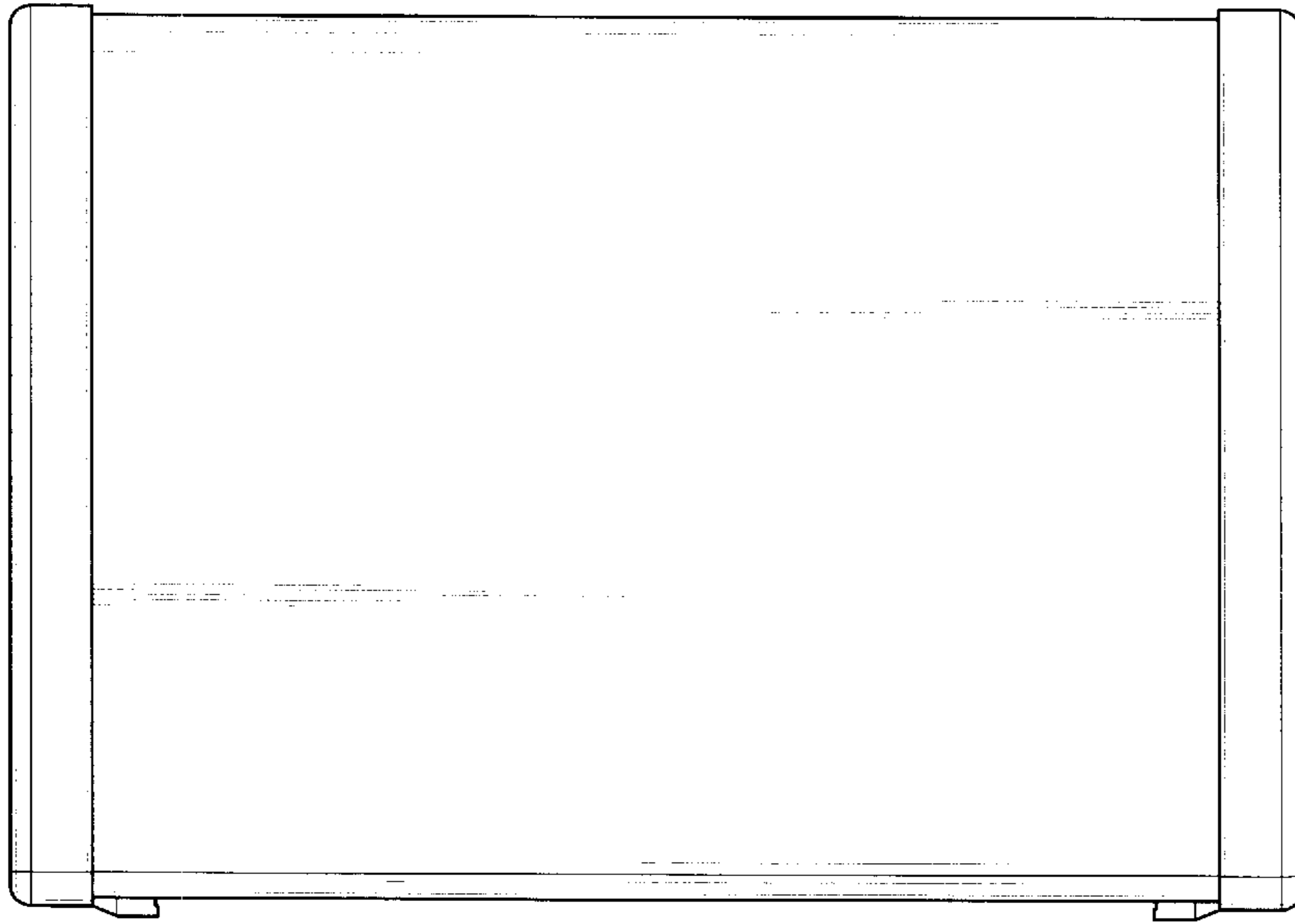


Fig. 4

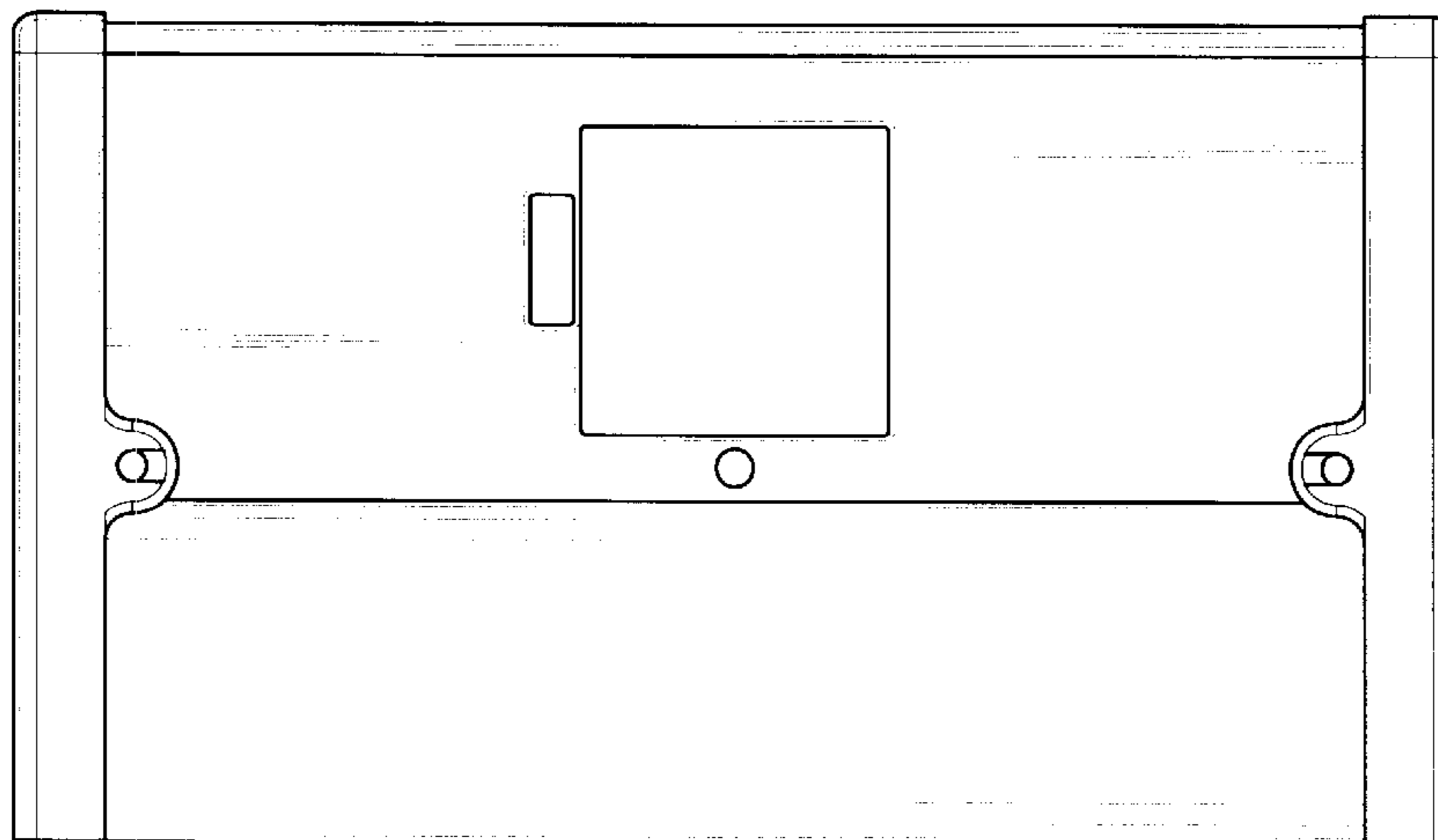


Fig. 5

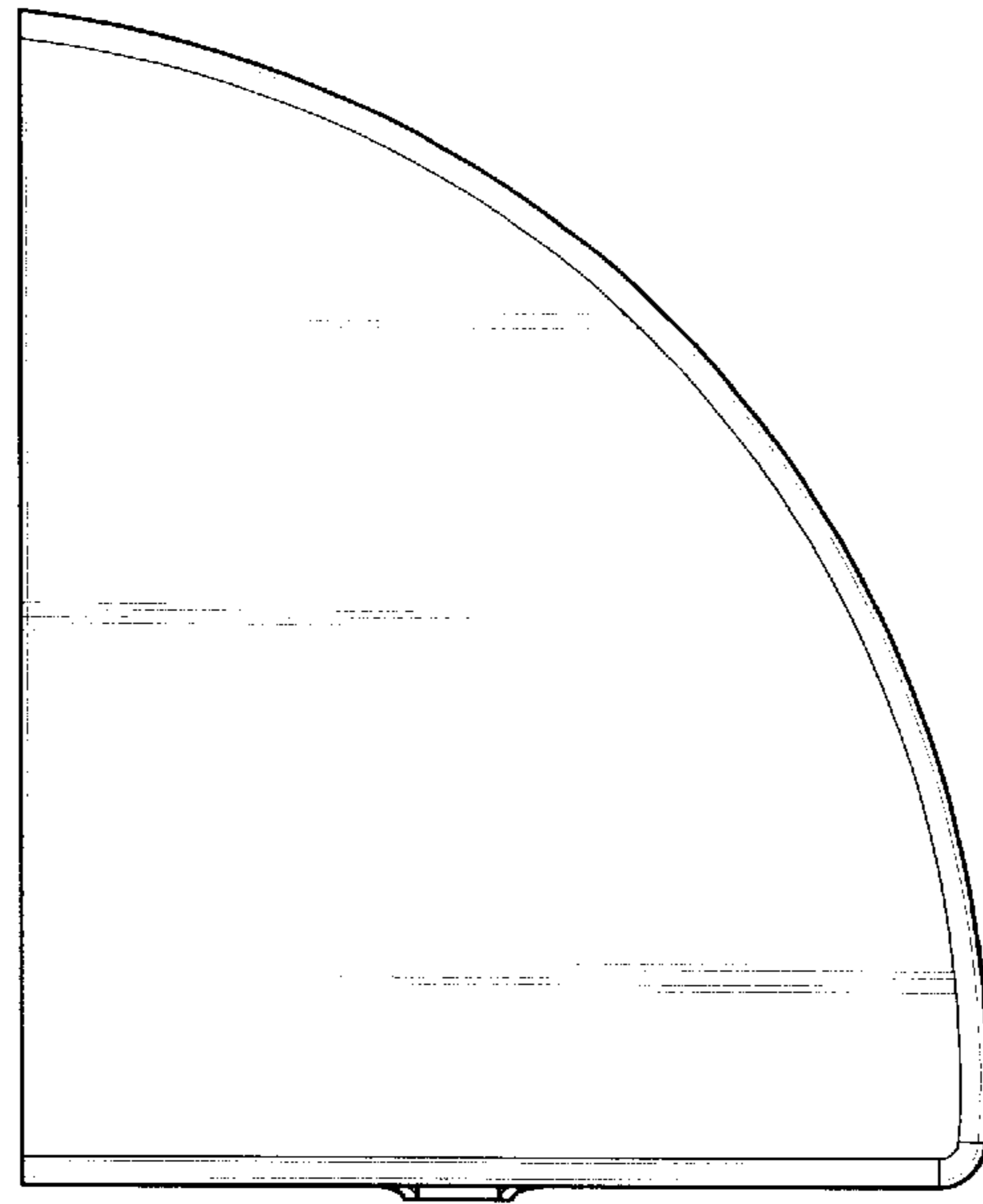


Fig. 6

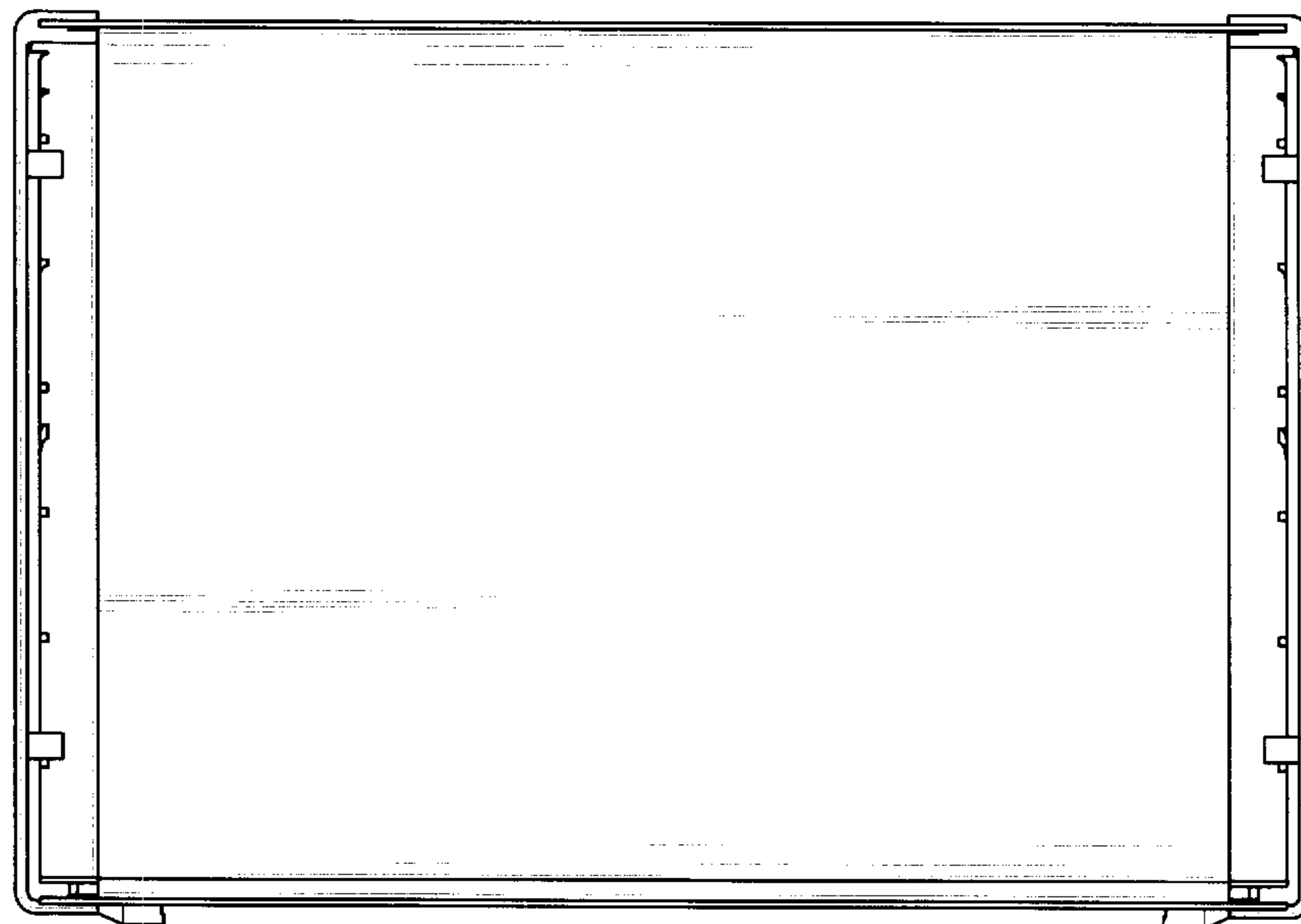


Fig. 7

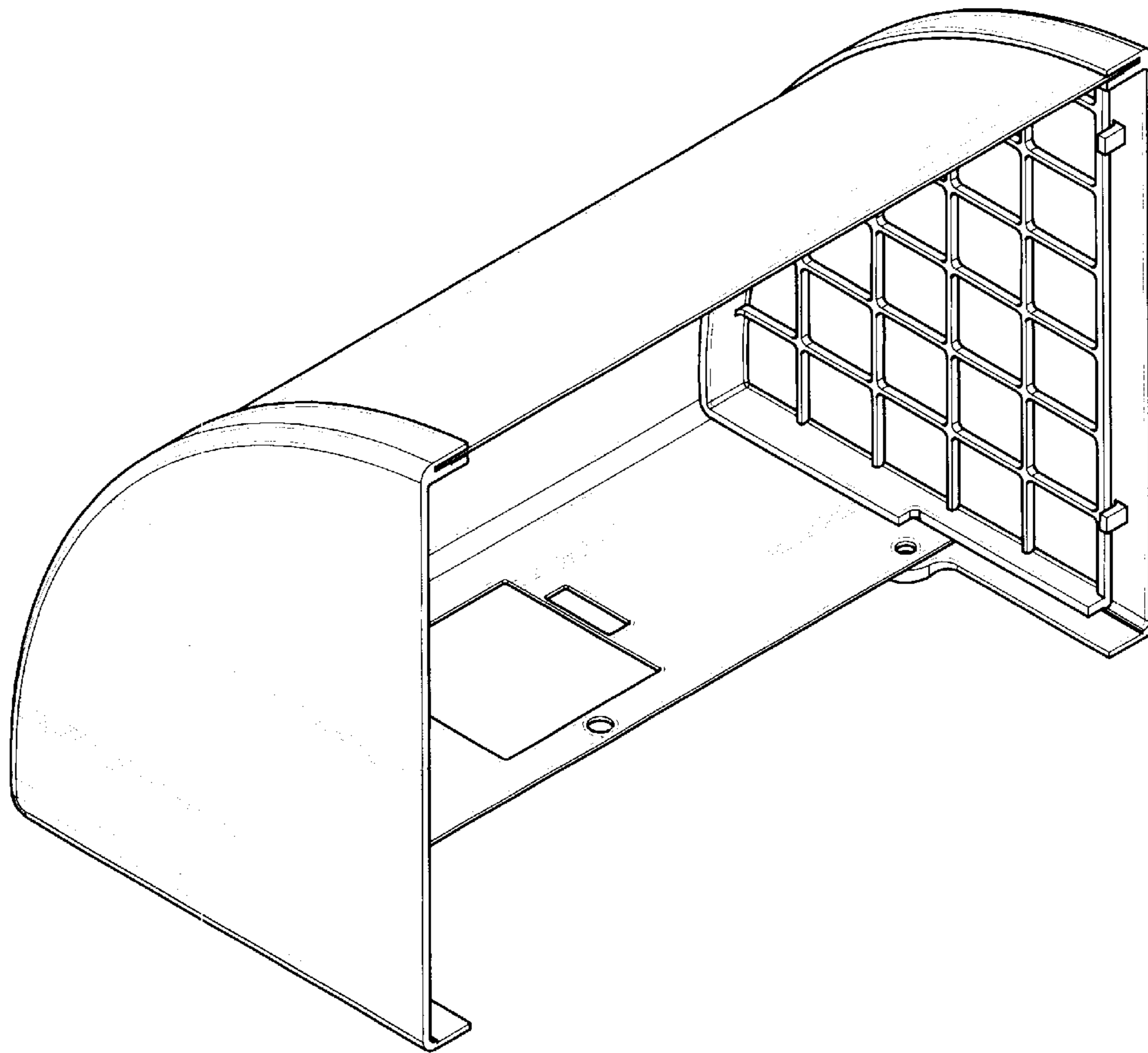


Fig. 8